

**United States Patent** [19]  
**Brisson**

[11] **Patent Number: Des. 317,292**  
[45] **Date of Patent: \*\* Jun. 4, 1991**

[54] **ELECTRICAL CONNECTOR**

[76] **Inventor: Bruce A. Brisson, 3037 Grass Valley Hwy., Auburn, Calif. 95603**

[\*] **Notice: The portion of the term of this patent subsequent to Jun. 4, 2005 has been disclaimed.**

[\*\*] **Term: 14 Years**

[21] **Appl. No.: 278,928**

[22] **Filed: Dec. 1, 1988**

[52] **U.S. Cl. .... D13/133**

[58] **Field of Search ..... D13/133; 439/668, 669**

[56] **References Cited**

**U.S. PATENT DOCUMENTS**

1,808,902 6/1931 Mueller ..... 439/668

2,397,985 4/1946 Schriefer ..... 439/668  
2,731,614 1/1956 Geib et al. .... 439/668

*Primary Examiner*—James M. Gandy  
*Assistant Examiner*—Lisa Lichtenstein  
*Attorney, Agent, or Firm*—Fliesler, Dubb, Meyer & Lovejoy

[57] **CLAIM**

The ornamental design for an electrical connector, as shown and described.

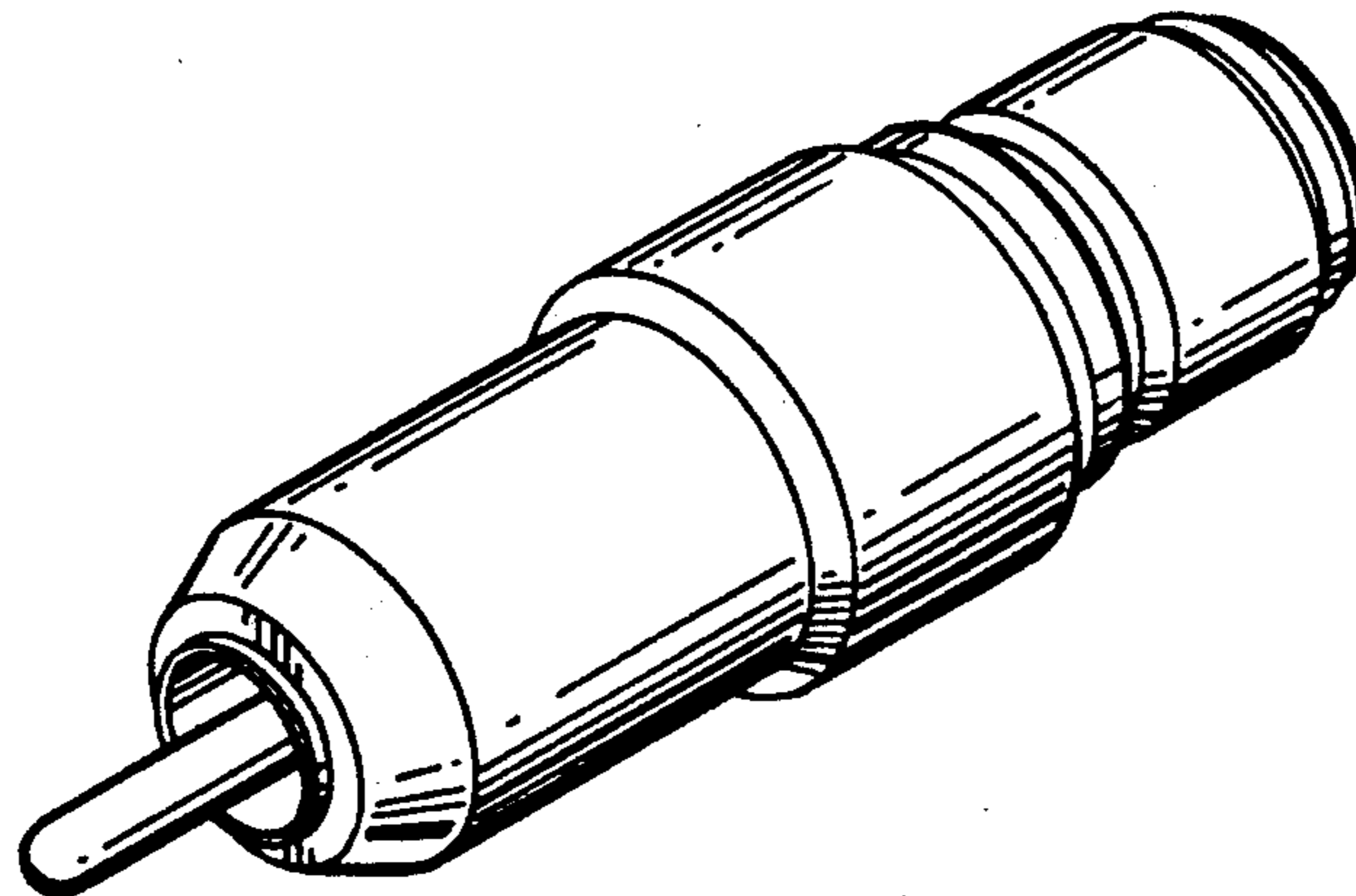
**DESCRIPTION**

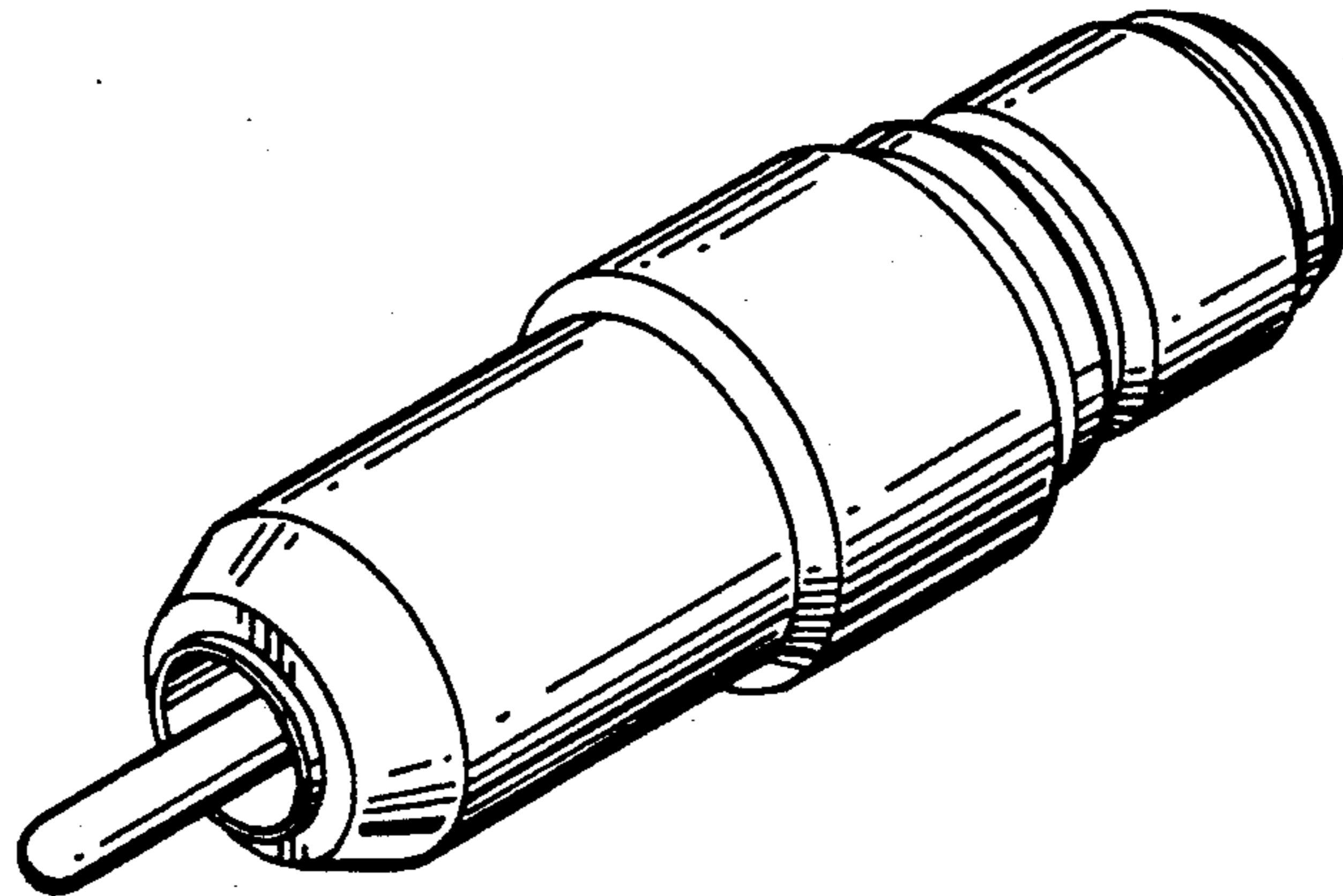
FIG. 1 is an isometric view, taken from above front and right of an electrical connector showing my new design;

FIG. 2 is a right-side elevational view thereof, the left-side being a mirror image of that shown;

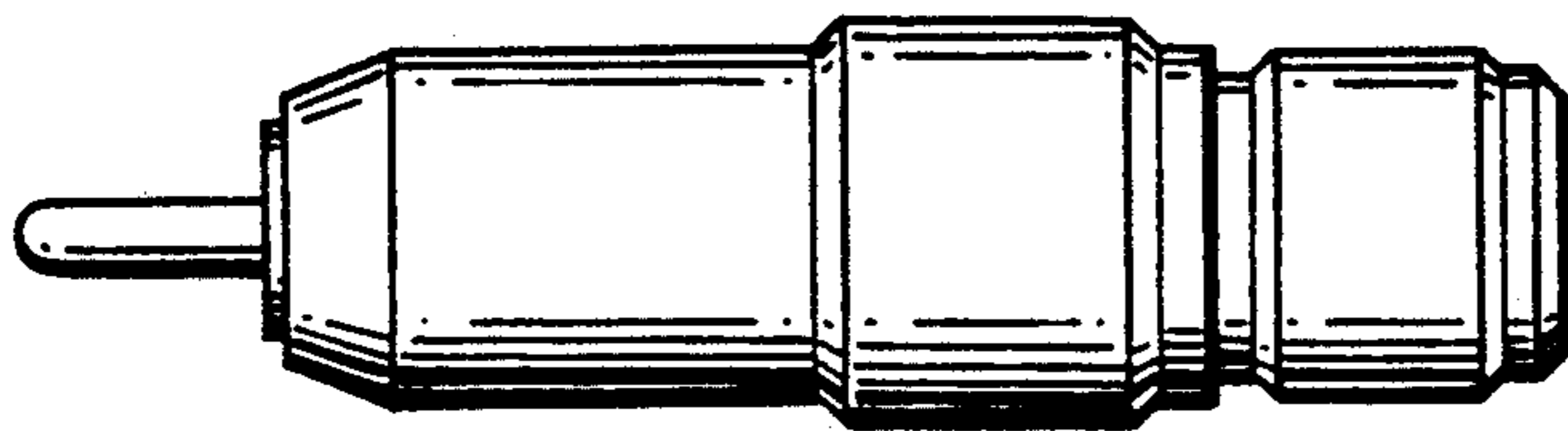
FIG. 3 is a front elevational view thereof; and

FIG. 4 is a rear elevational view thereof.

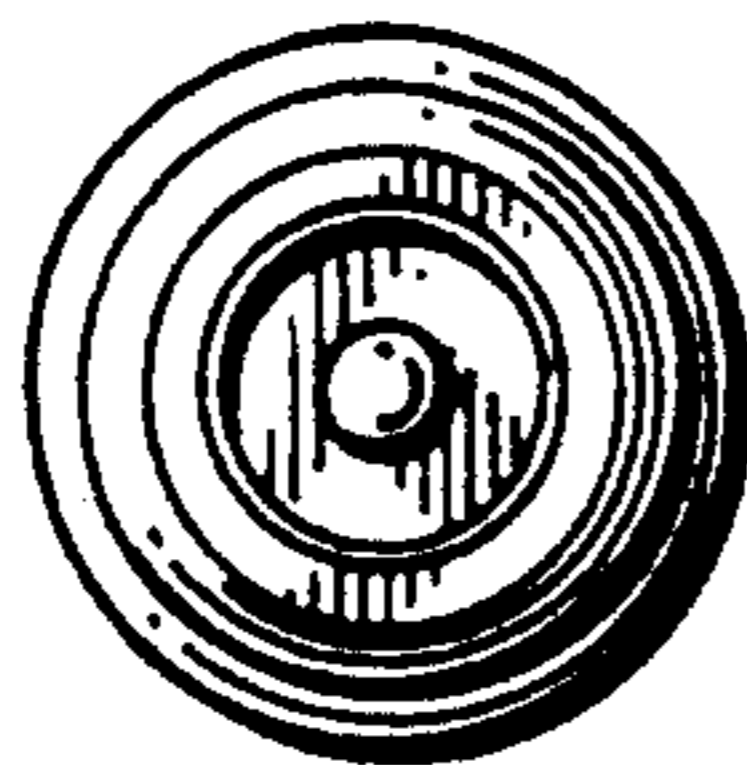




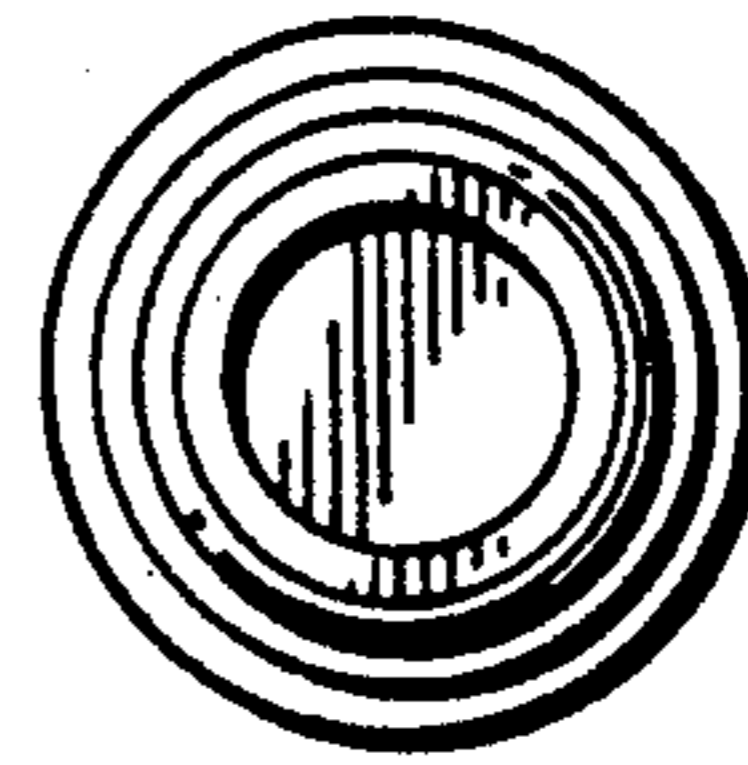
**FIGURE 1**



**FIGURE 2**



**FIGURE 3**



**FIGURE 4**