

[54] HOUSING FOR AN ELECTRICAL CONNECTOR

[75] Inventors: Shigemitsu Inaba; Kiyohito Fukuda; Masakuni Samejima, all of Shizuoka, Japan

[73] Assignee: Yazaki Corporation, Japan

[**] Term: 14 Years

[21] Appl. No.: 210,710

[22] Filed: Jun. 23, 1988

[30] Foreign Application Priority Data

Dec. 24, 1987 [JP] Japan 62-52375
[52] U.S. Cl. D13/133
[58] Field of Search D13/133, 137, 138, 139, D13/141, 142, 143, 144, 145, 146, 147; 439/218, 576, 680, 599, 595, 149, 353, 354

[56] References Cited

U.S. PATENT DOCUMENTS

D. 280,321 8/1985 Rumble D13/133
D. 308,511 6/1990 Makita et al. D13/146
D. 308,513 6/1990 Endo et al. D13/147
D. 309,289 7/1990 Endo et al. D13/147
3,560,908 2/1971 Dell et al. 439/353

3,747,047 7/1973 Carter et al. 439/354
4,255,007 3/1981 Michaels et al. 439/353
4,258,970 3/1981 Bourdon et al. 439/149
4,655,525 4/1987 Hunt, III et al. 439/599
4,708,662 11/1987 Klein 439/353
4,740,169 4/1988 Gordon 439/149
4,820,198 4/1989 Julko et al. 439/595

Primary Examiner—James M. Gandy
Assistant Examiner—Melody N. Brown
Attorney, Agent, or Firm—Jones, Askew & Lunsford

[57] CLAIM

The ornamental design for a housing for an electrical connector, as shown and described.

DESCRIPTION

FIG. 1 is a perspective view of a housing for an electrical connector showing our new design;
FIG. 2 is a top plan view thereof.
FIG. 3 is a front elevation view thereof.
FIG. 4 is a rear elevation view thereof.
FIG. 5 is a bottom plan view thereof.
FIG. 6 is a right side elevation view thereof, the left side elevation view being a mirror image.
FIG. 7 is a section view taken along line 7—7 of FIG. 3;
FIG. 8 is a section view taken along line 8—8 of FIG. 3;
and
FIG. 9 is a section view taken along line 9—9 of FIG. 3.

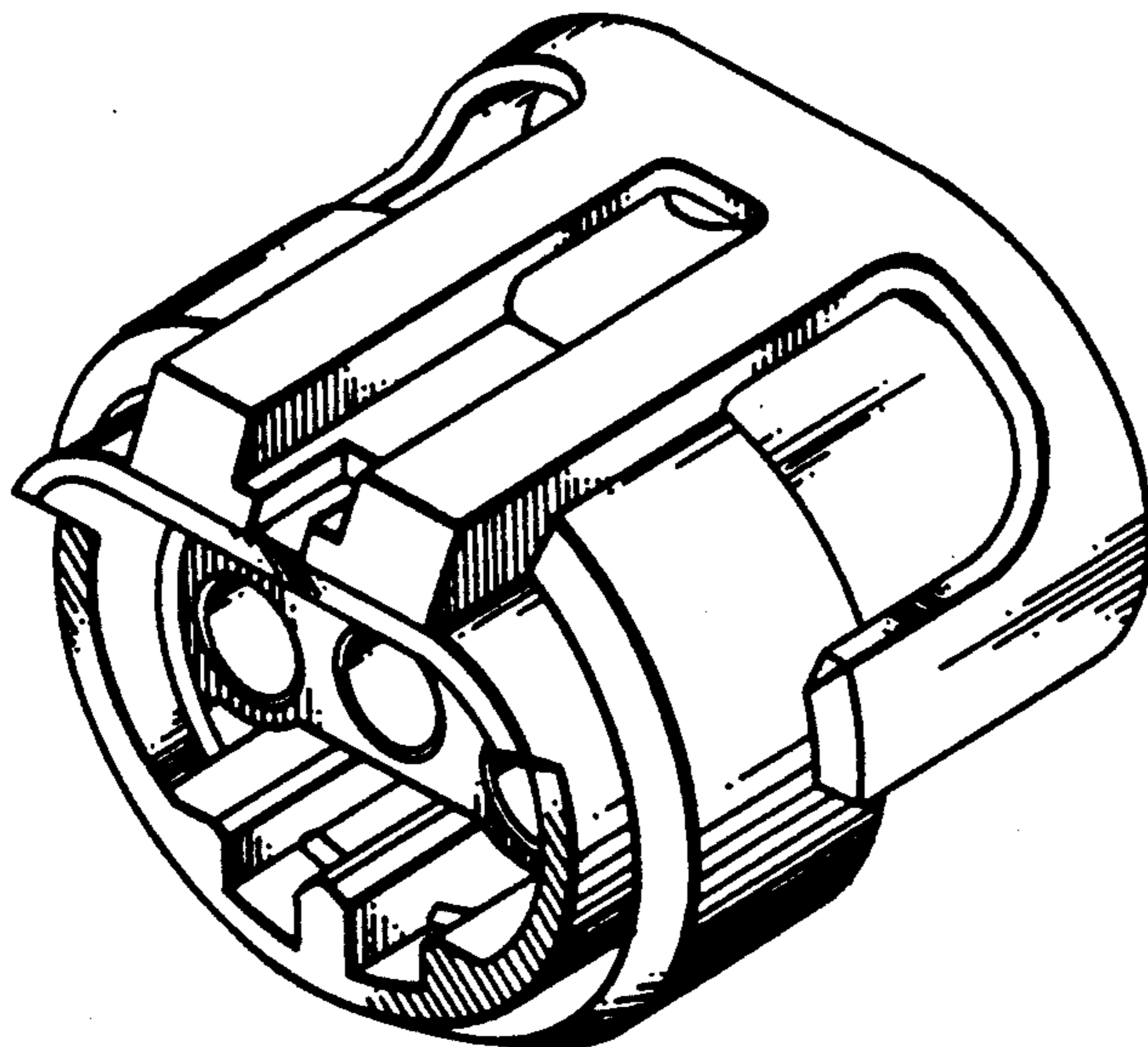


Fig. 4

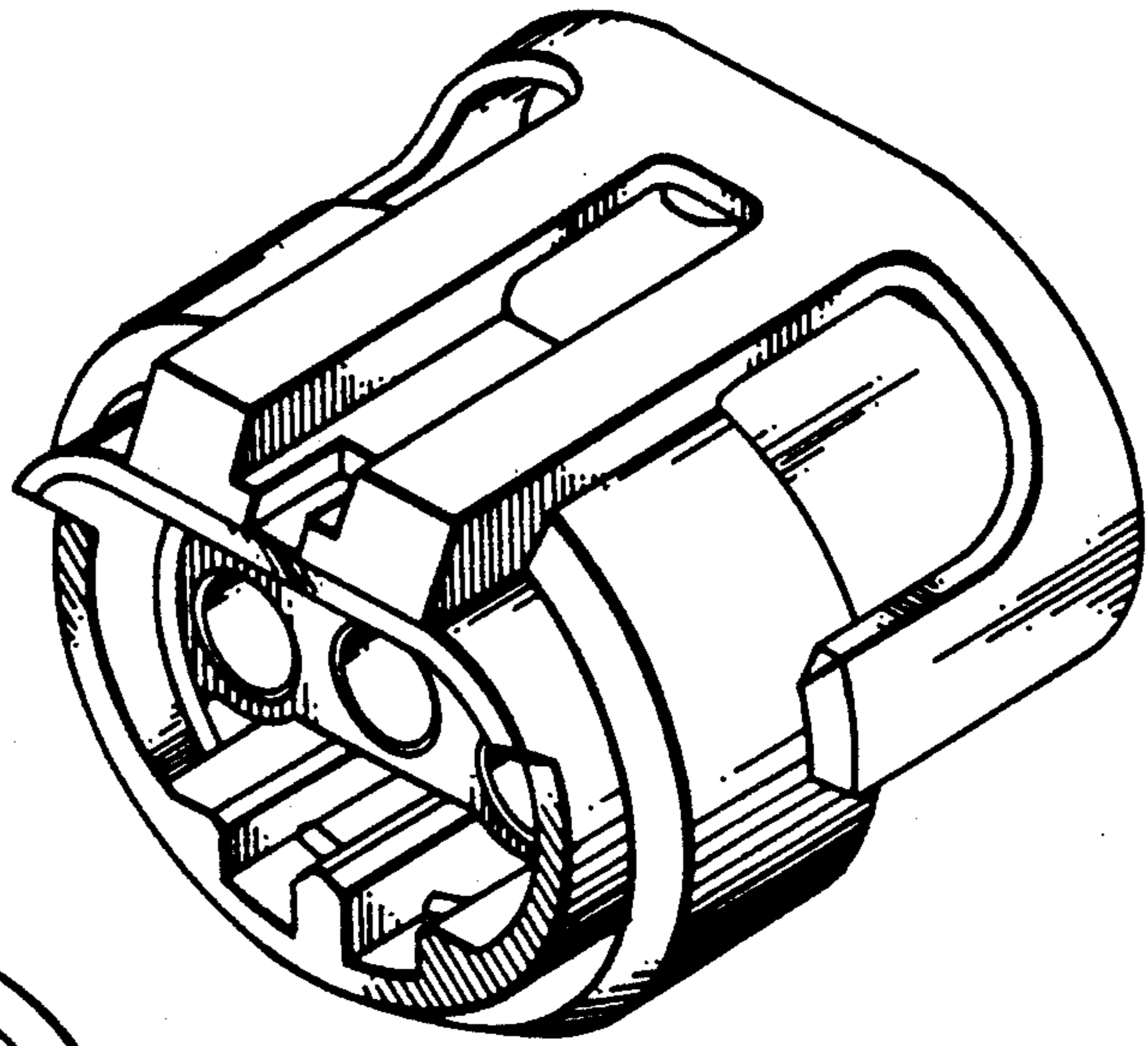
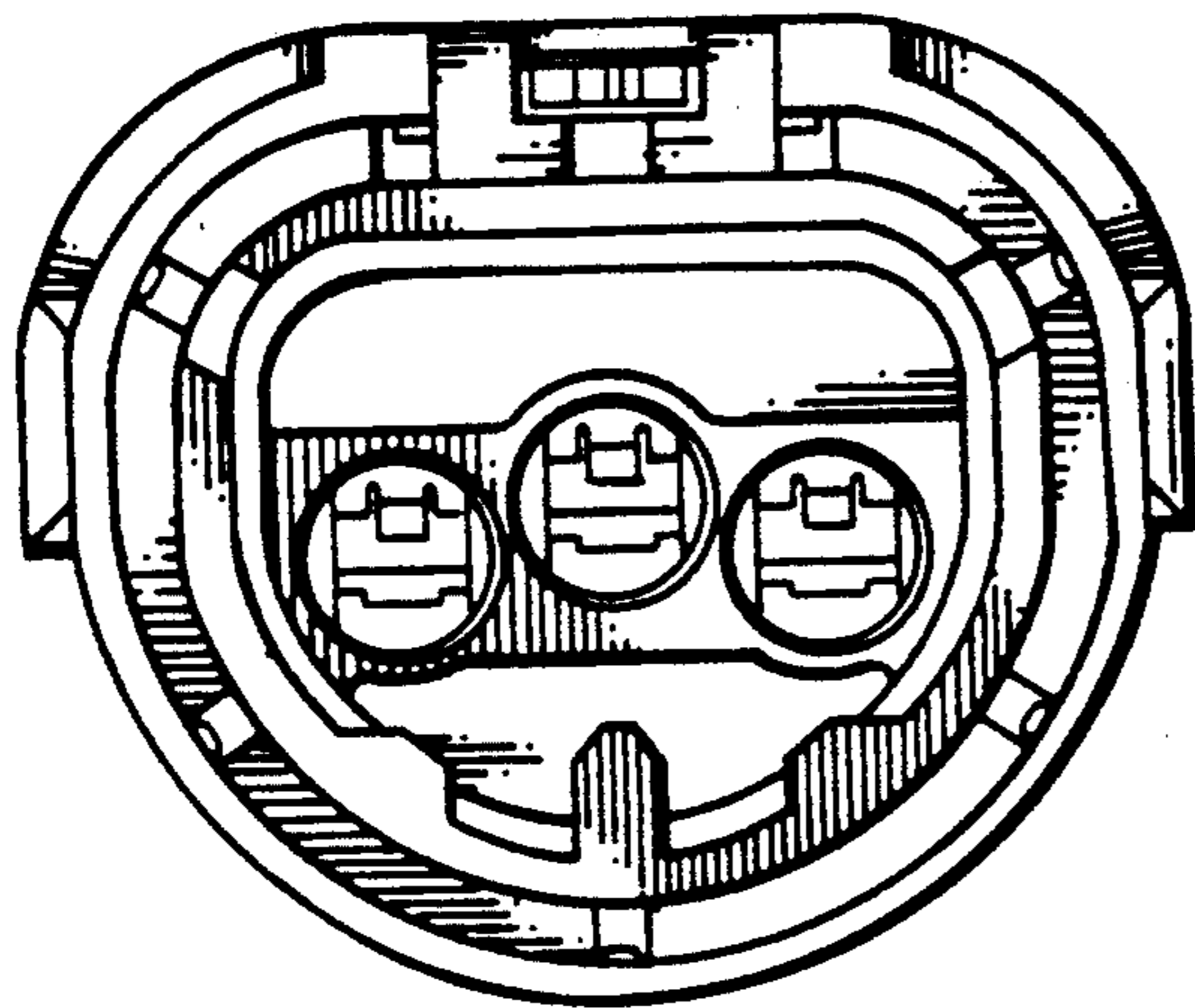


Fig. 1

Fig. 8

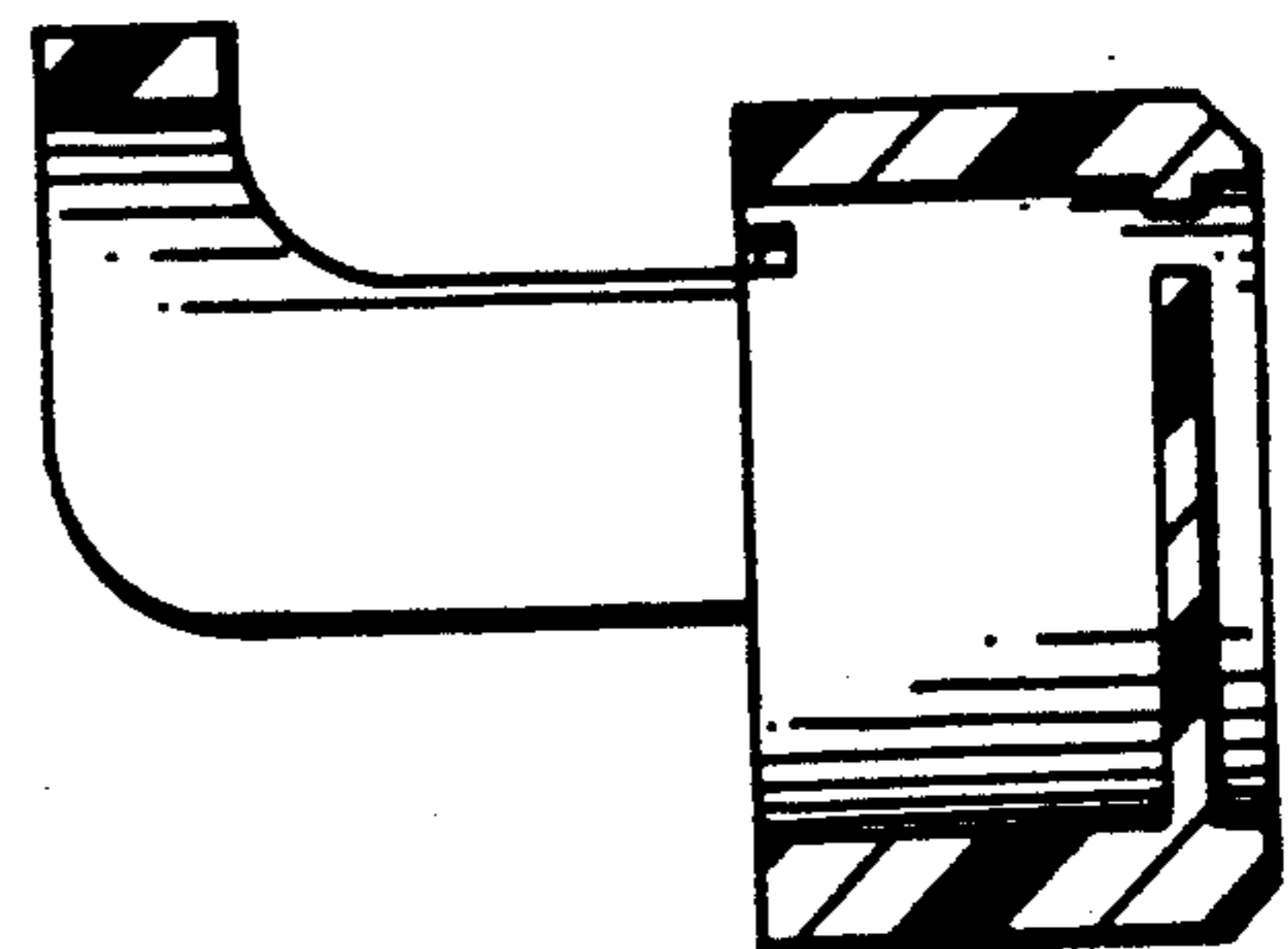
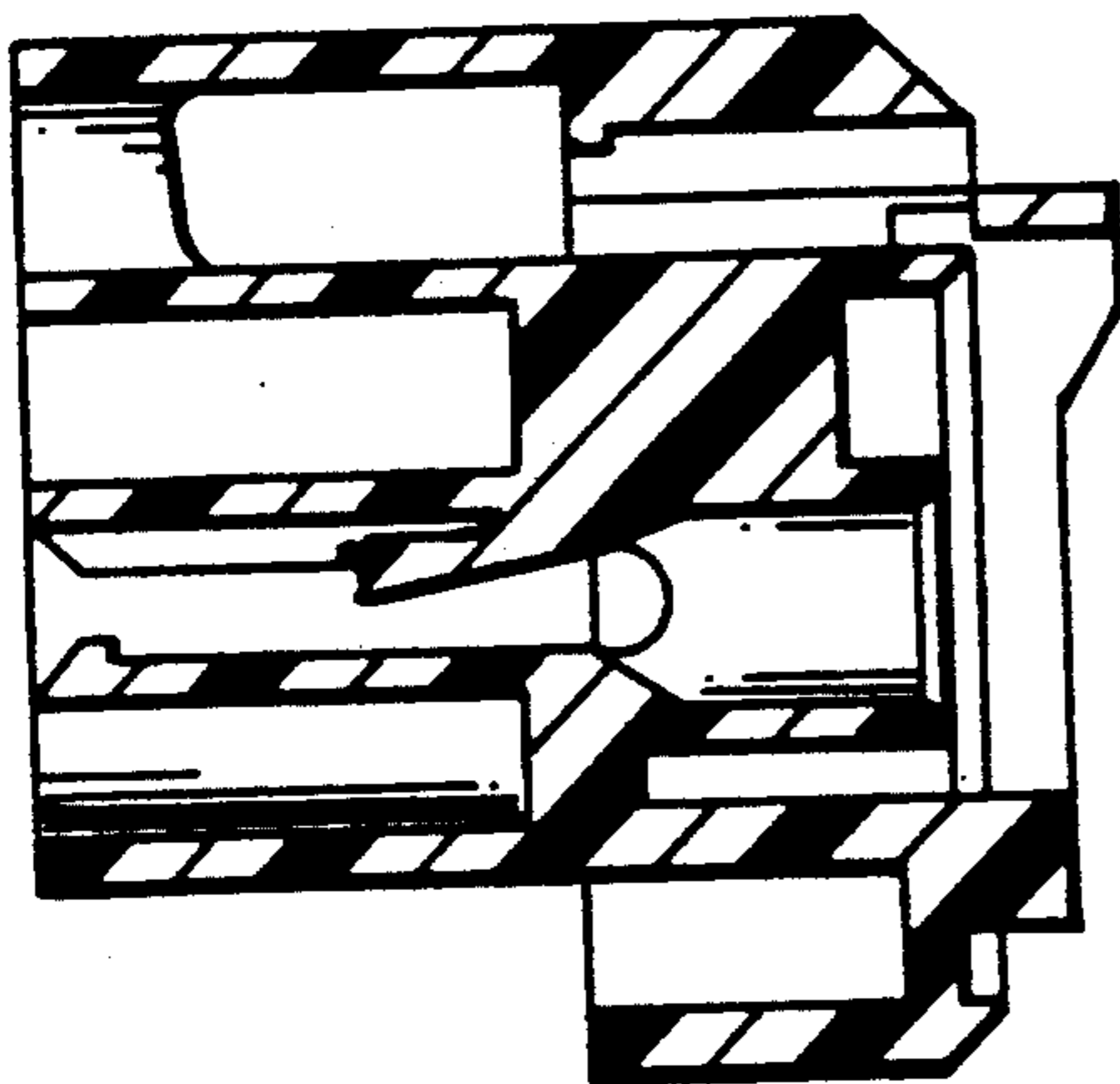


Fig. 9

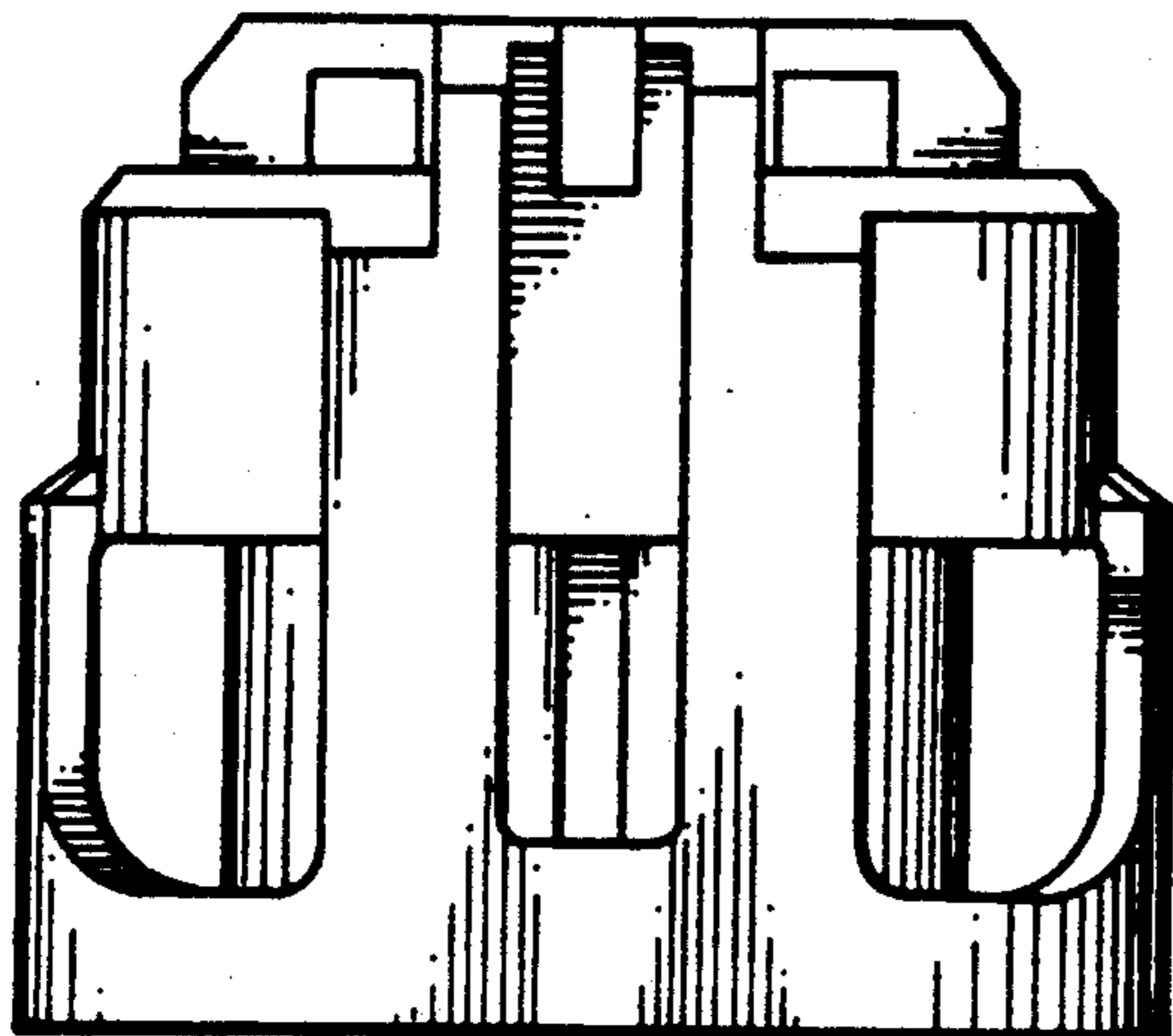


Fig. 2

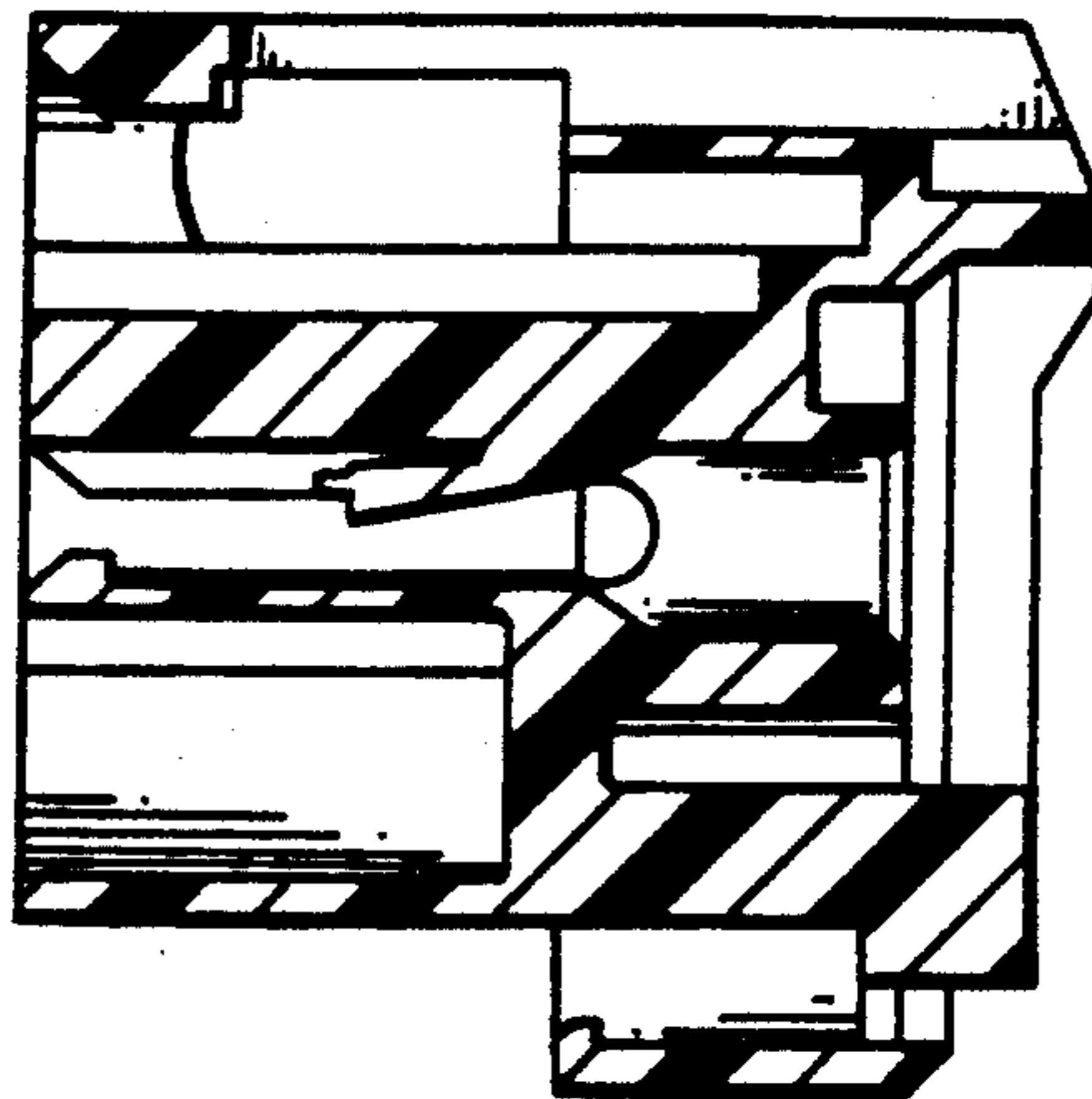


Fig. 7

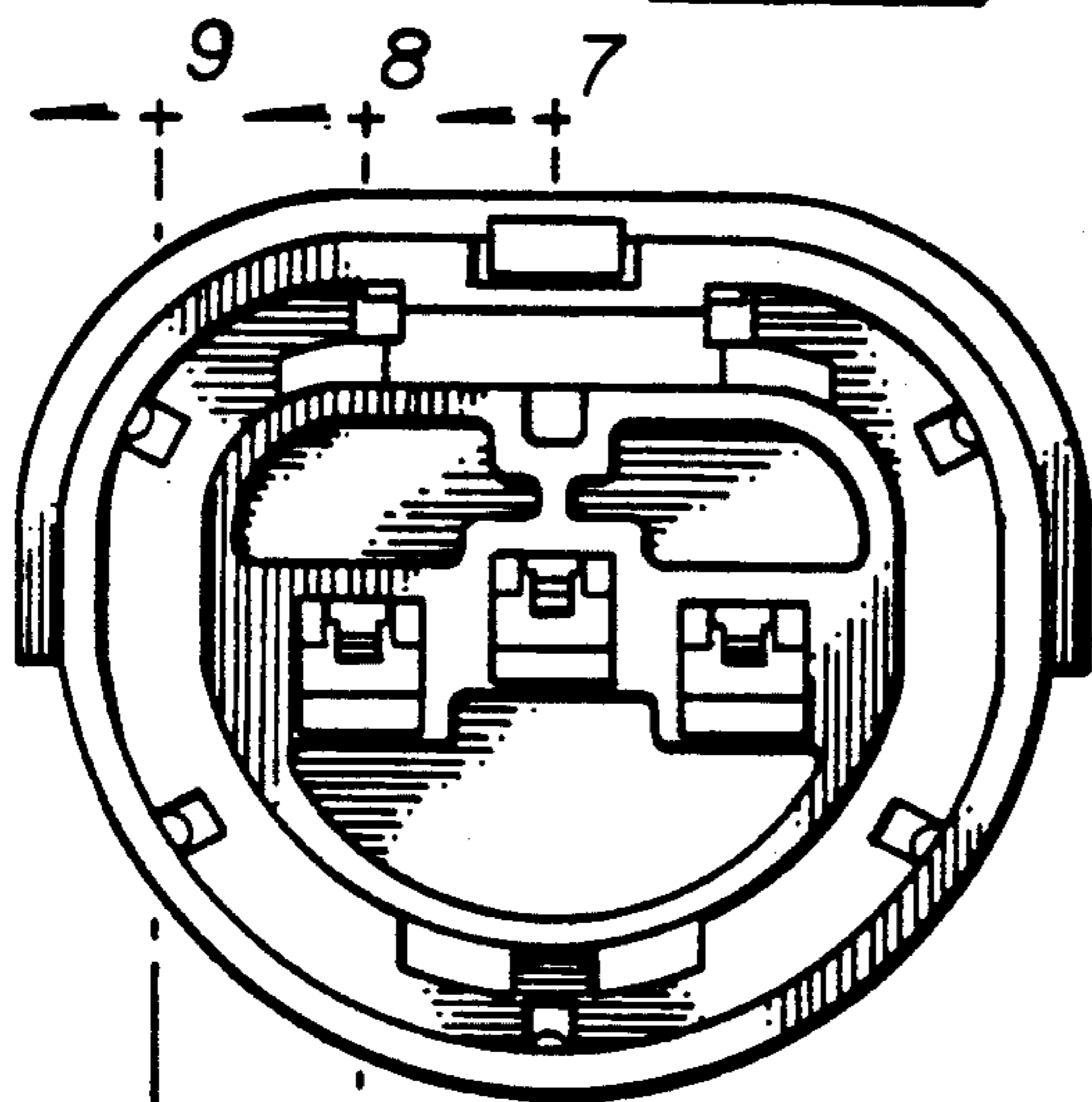


Fig. 3

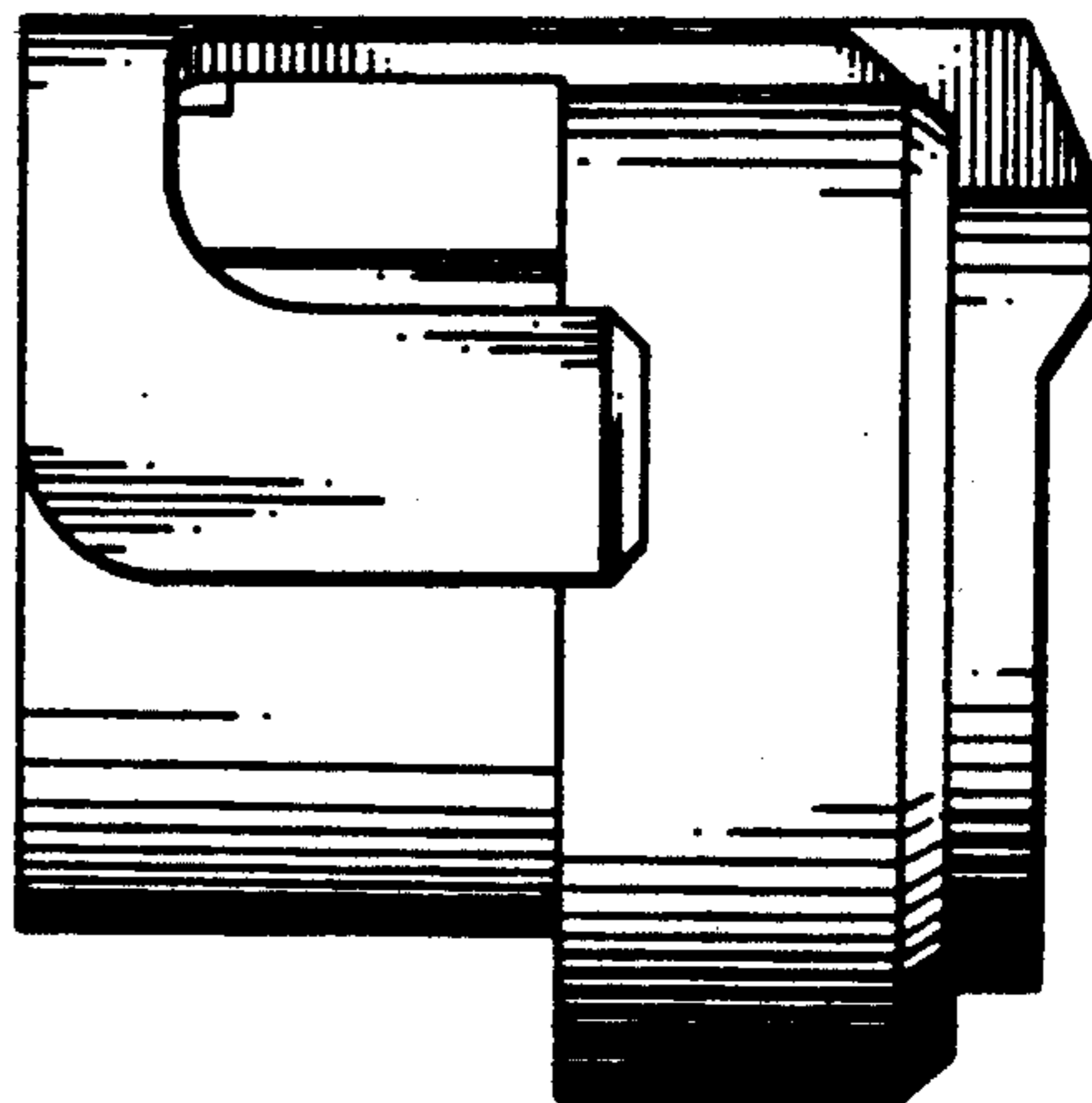


Fig. 6

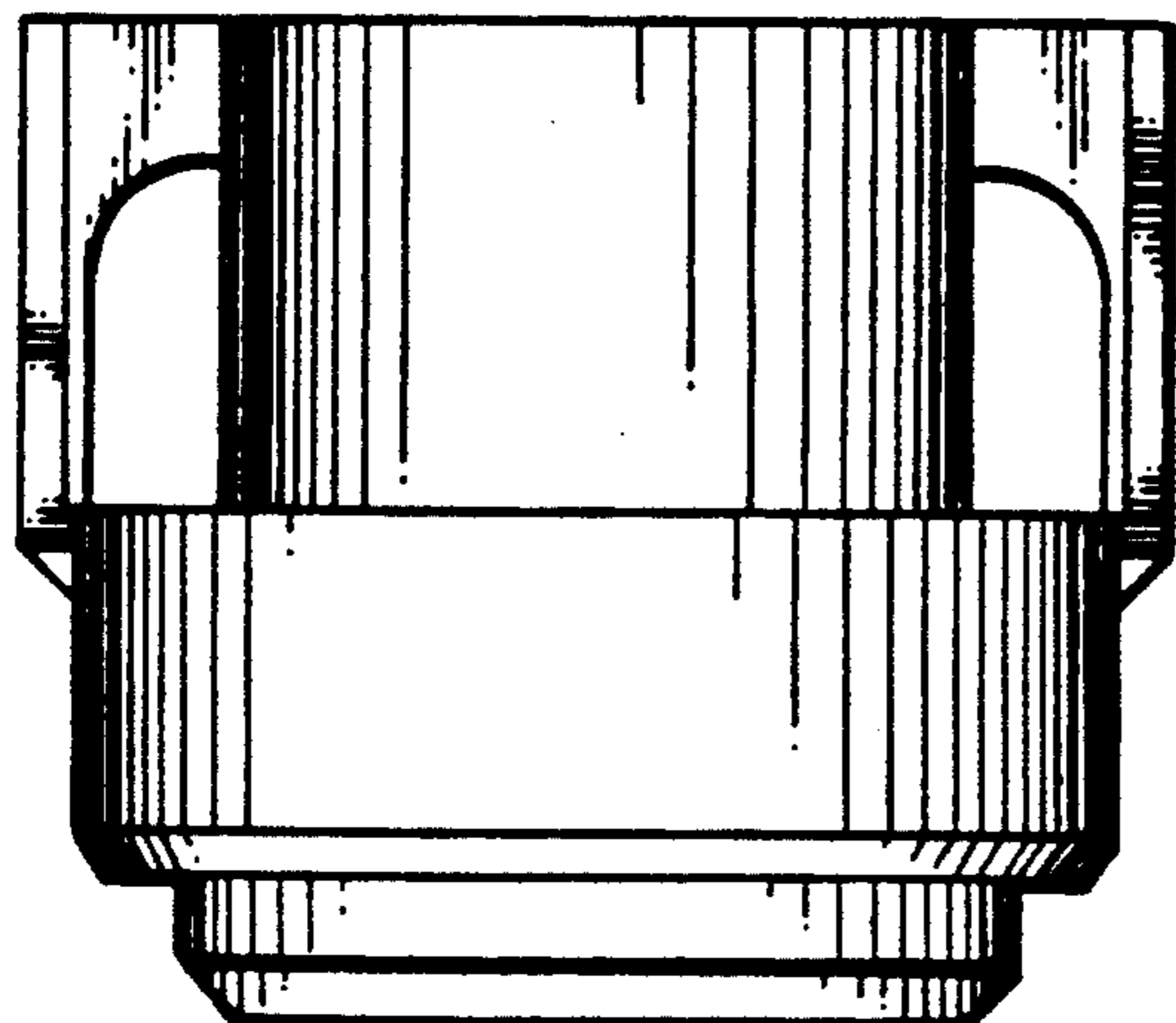


Fig. 5