

United States Patent [19]

Fukuda et al.

[11] Patent Number: **Des. 317,289**

[45] Date of Patent: **** Jun. 4, 1991**

[54] **HOUSING FOR AN ELECTRICAL CONNECTOR**

[75] Inventors: **Kiyohito Fukuda; Masanori Tsuji; Masanori Tsuji**, all of Shizuoka, Japan

[73] Assignee: **Yazaki Corporation**, Japan

[**] Term: **14 Years**

[21] Appl. No.: **210,709**

[22] Filed: **Jun. 23, 1988**

[30] **Foreign Application Priority Data**

Dec. 23, 1987 [JP] Japan 62-52156

[52] U.S. Cl. **D13/133**

[58] Field of Search D13/133, 137, 138, 139, D13/141, 142, 143, 144, 145, 146, 147; 439/218, 576, 680, 599, 595, 149, 353, 354

[56] **References Cited**

U.S. PATENT DOCUMENTS

D. 280,321 8/1985 Rumble D13/133
3,560,908 2/1971 Dell et al. 439/353
3,747,047 7/1973 Carter et al. 439/354
4,255,007 3/1981 Michaels et al. 439/353

4,258,970 3/1981 Bourdon et al. 439/149
4,655,525 4/1987 Hunt, III et al. 439/599
4,708,662 11/1987 Klein 439/353
4,740,169 4/1988 Gordon 439/149
4,820,198 4/1989 Lulko et al. 439/595

Primary Examiner—James M. Gandy

Assistant Examiner—Melody N. Brown

Attorney, Agent, or Firm—Jones, Askew & Lunsford

[57] CLAIM

The ornamental design for a housing for an electrical connector, as shown and described.

DESCRIPTION

FIG. 1 is a perspective view of a housing for an electrical connector showing our new design;

FIG. 2 is a top plan view thereof.

FIG. 3 is a front elevation view thereof.

FIG. 4 is a rear elevation view thereof.

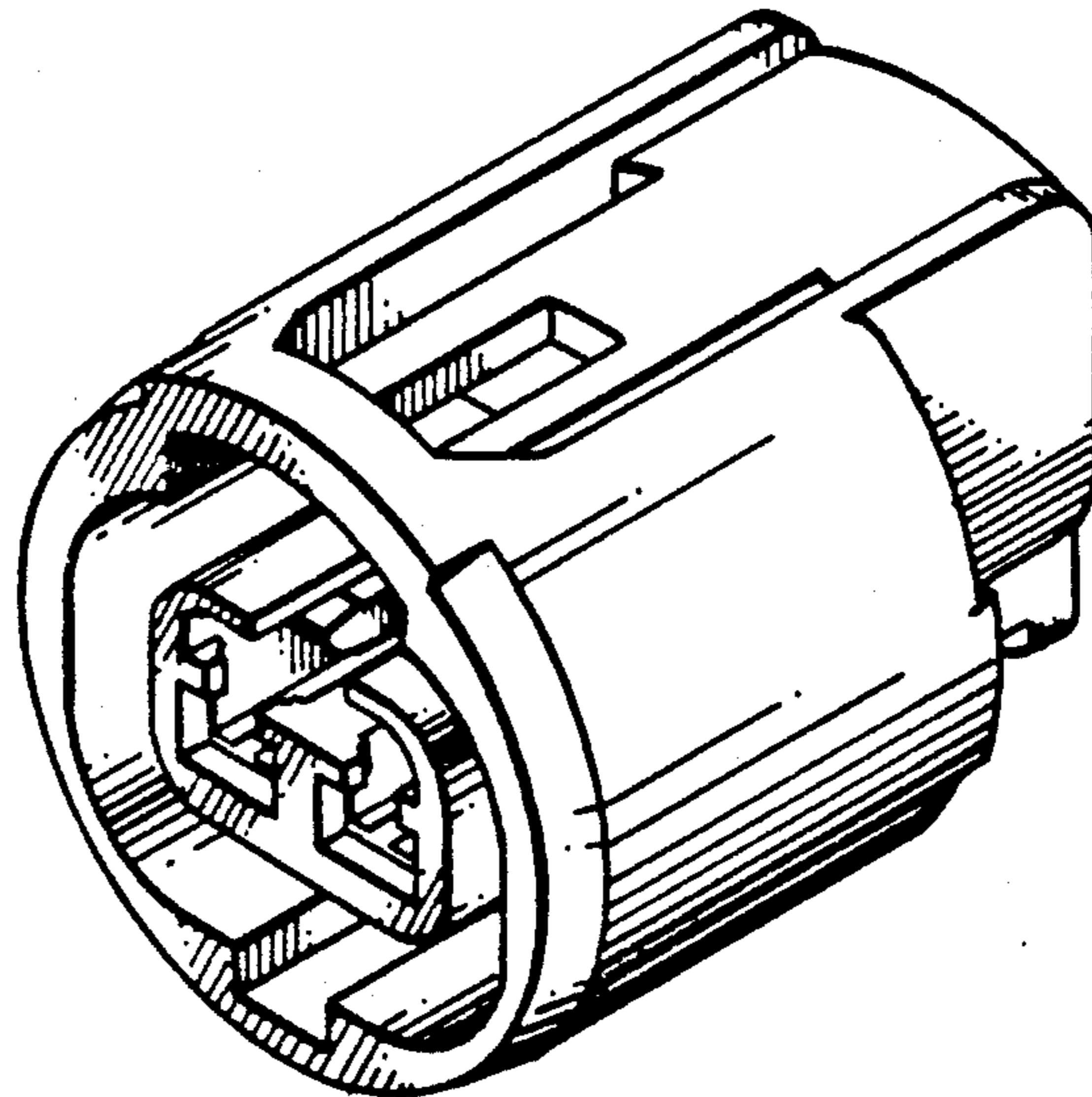
FIG. 5 is a bottom plan view thereof.

FIG. 6 is a right side elevation view thereof, the left side elevation view being a mirror image.

FIG. 7 is a section view taken along line 7—7 of FIG. 3;

FIG. 8 is a section view taken along line 8—8 of FIG. 3; and

FIG. 9 is a section view taken along line 9—9 of FIG. 3.



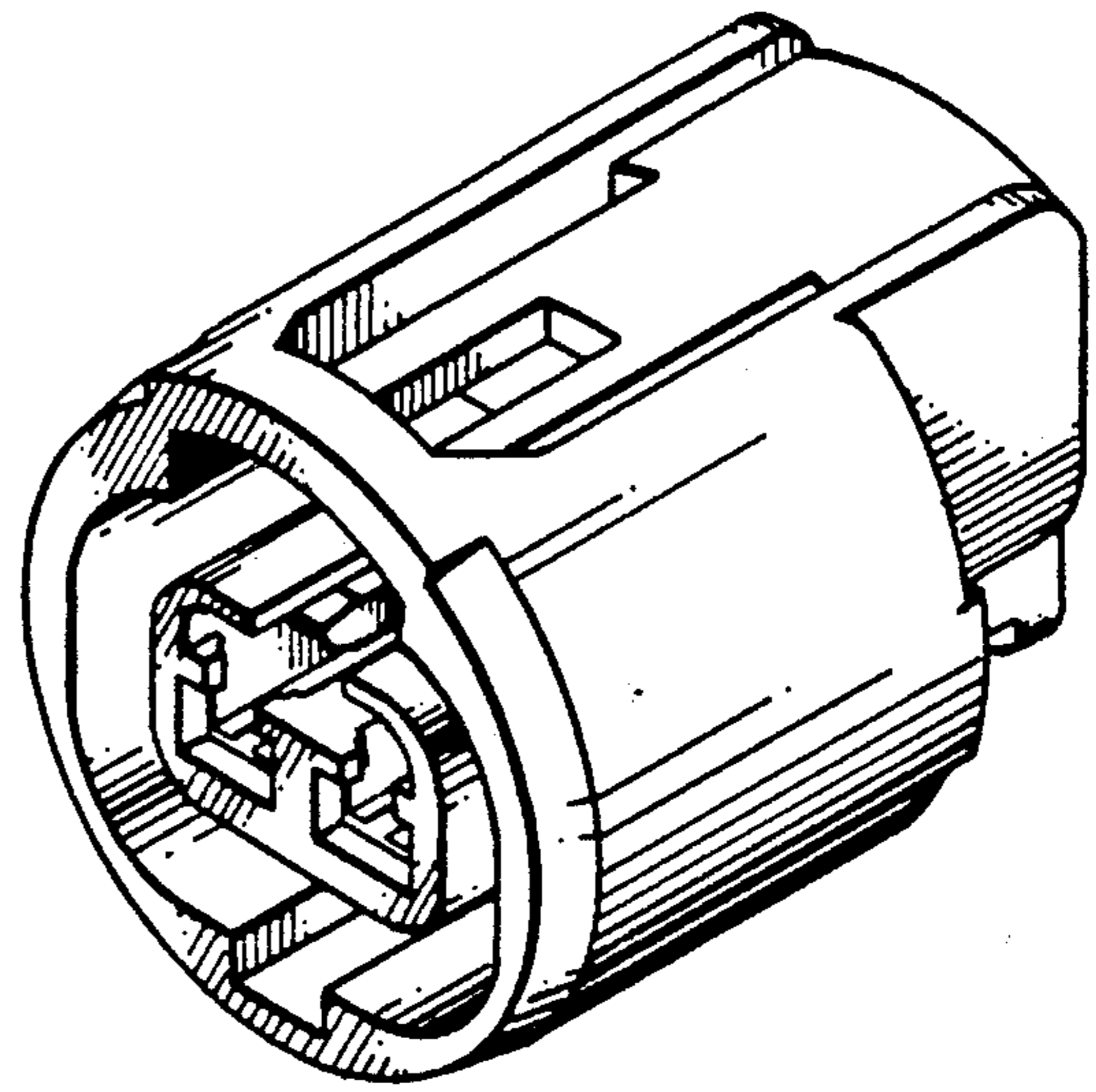


Fig. 1

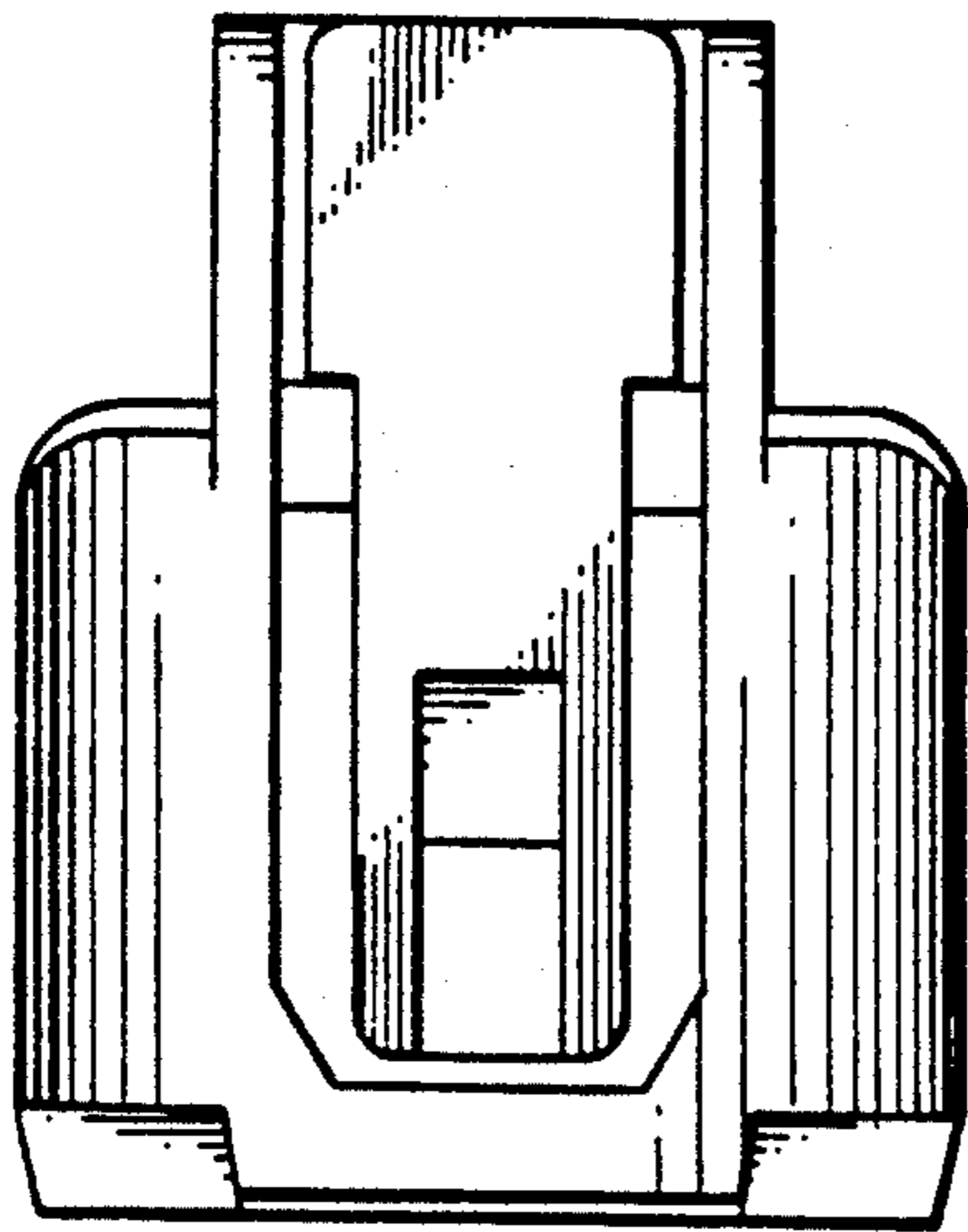


Fig. 2

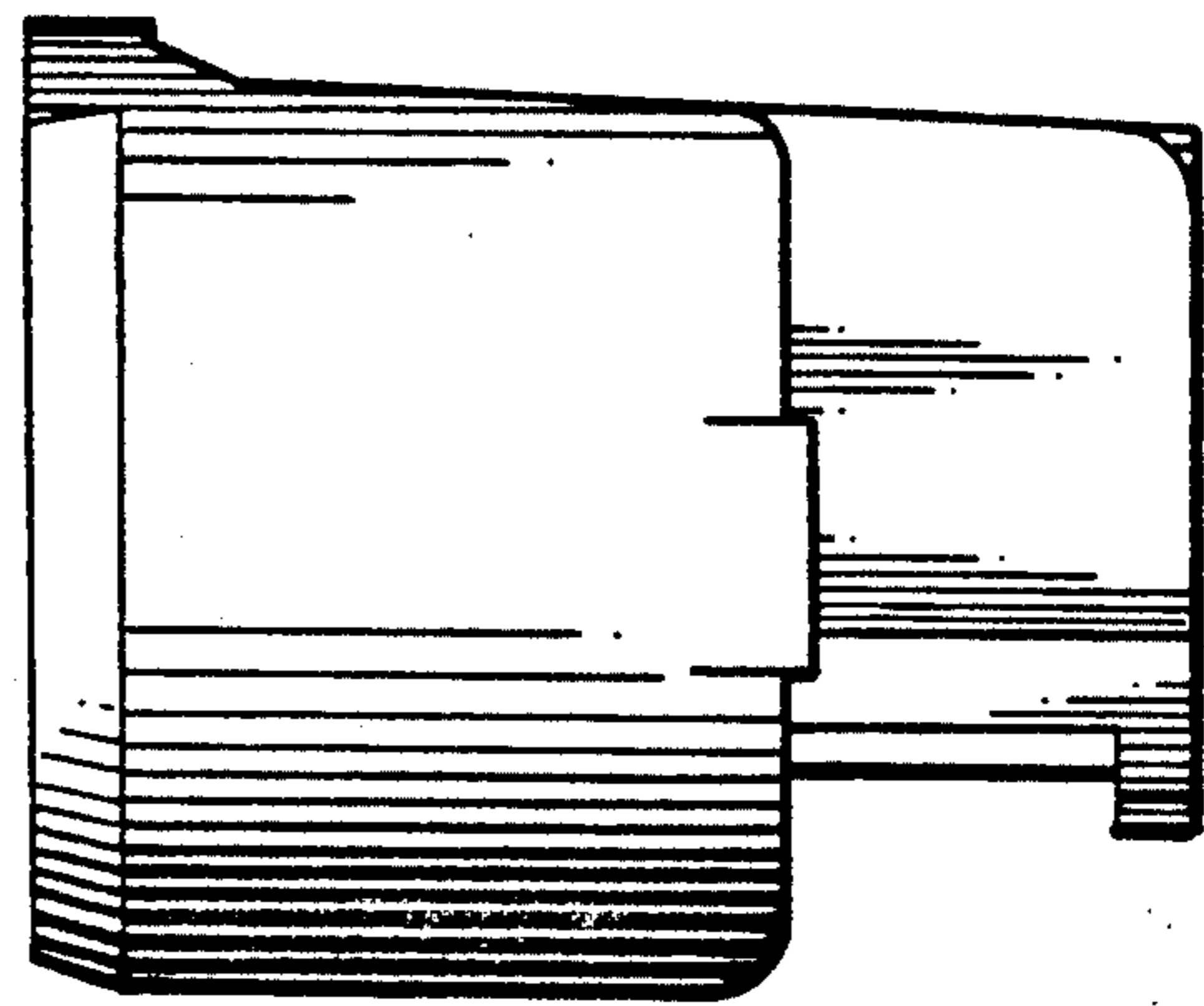


Fig. 6

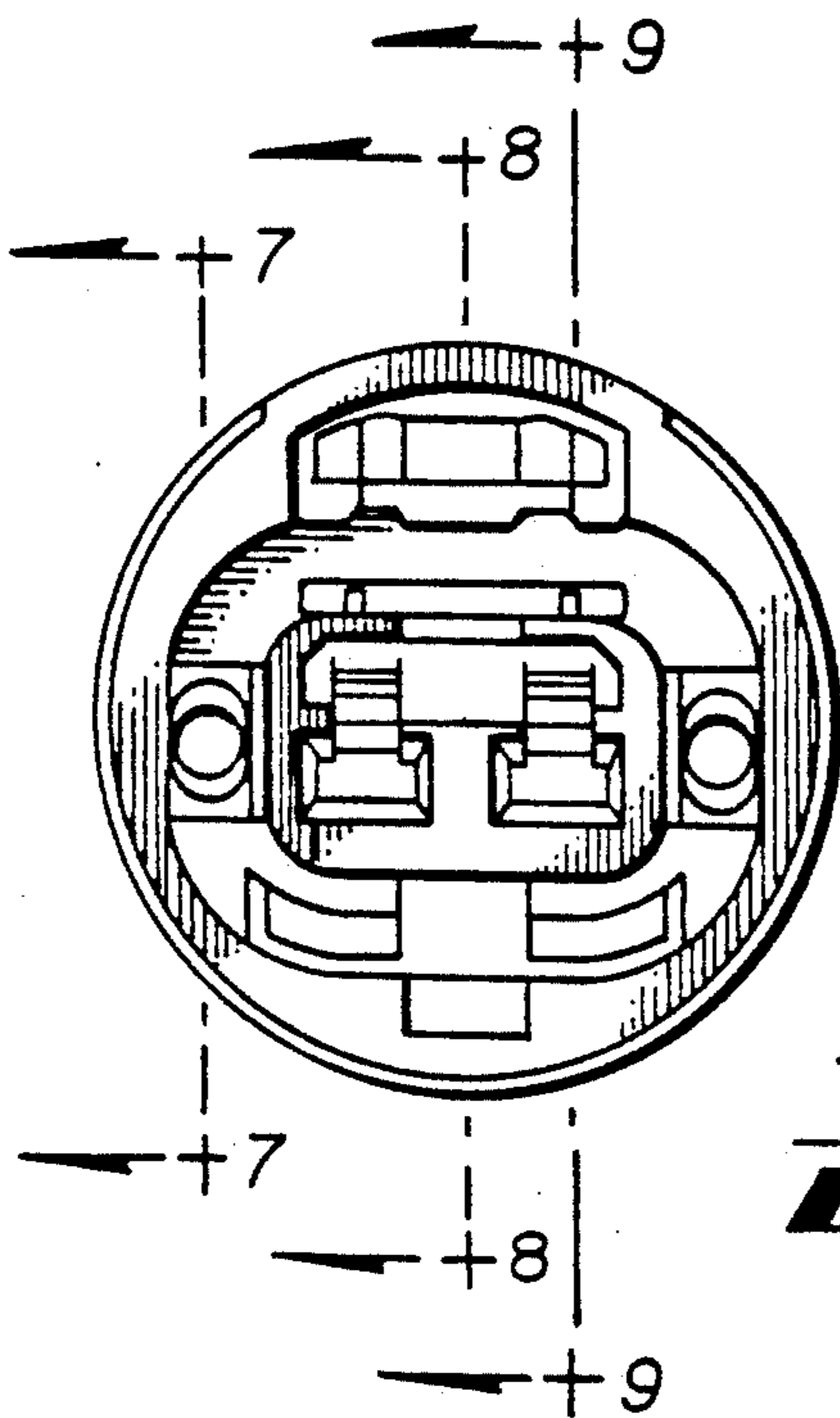


Fig. 3

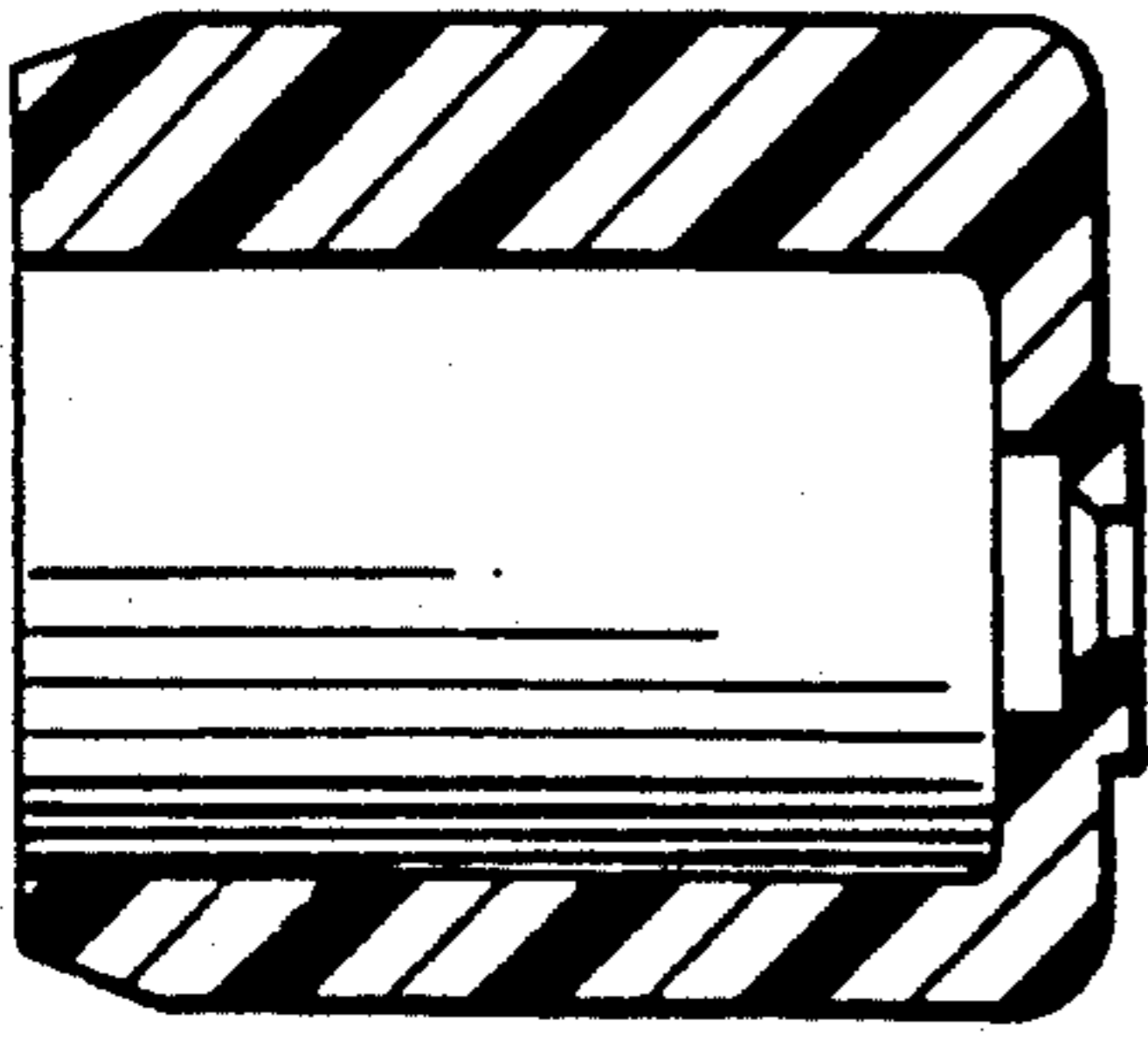


Fig. 7

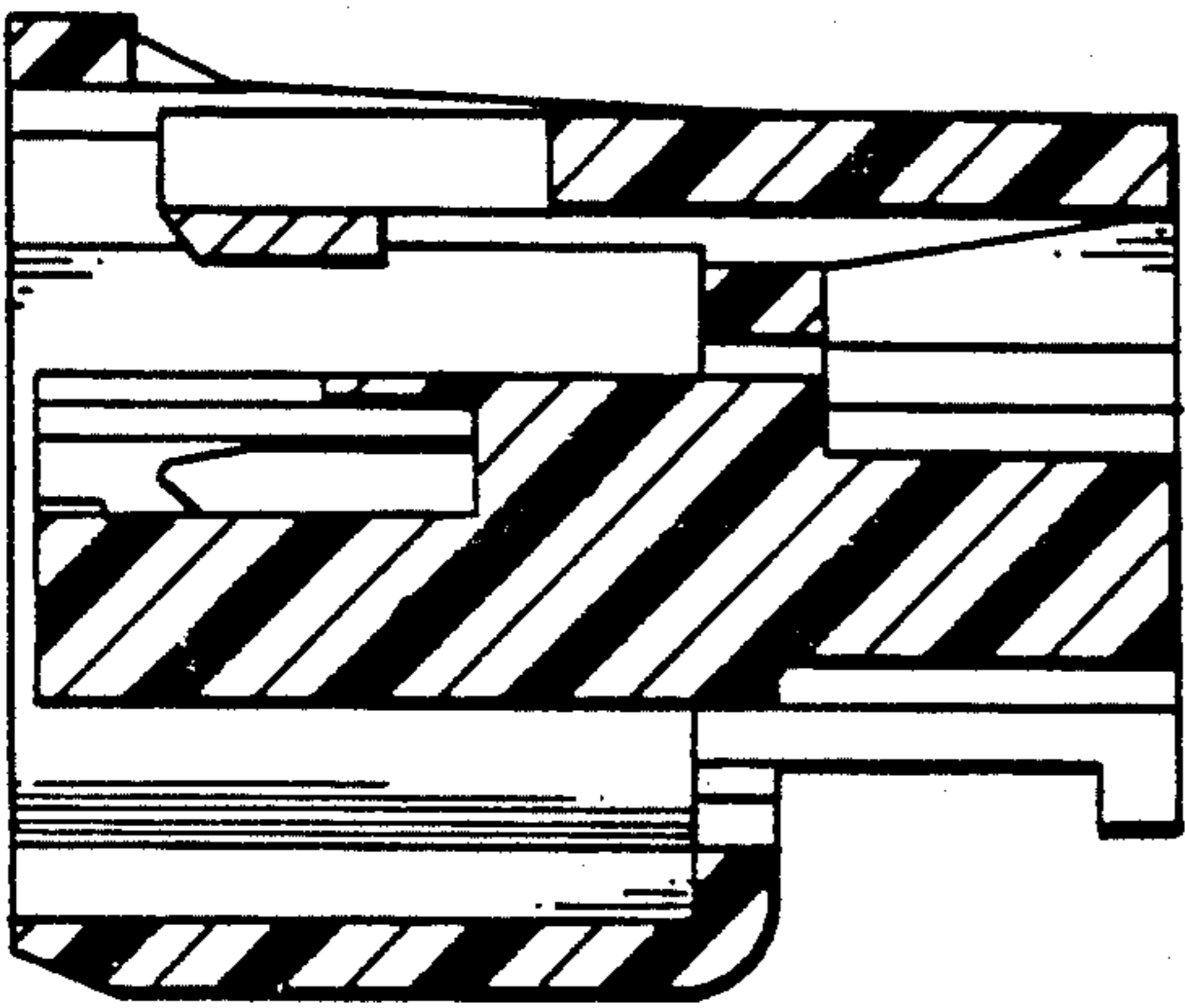


Fig. 8

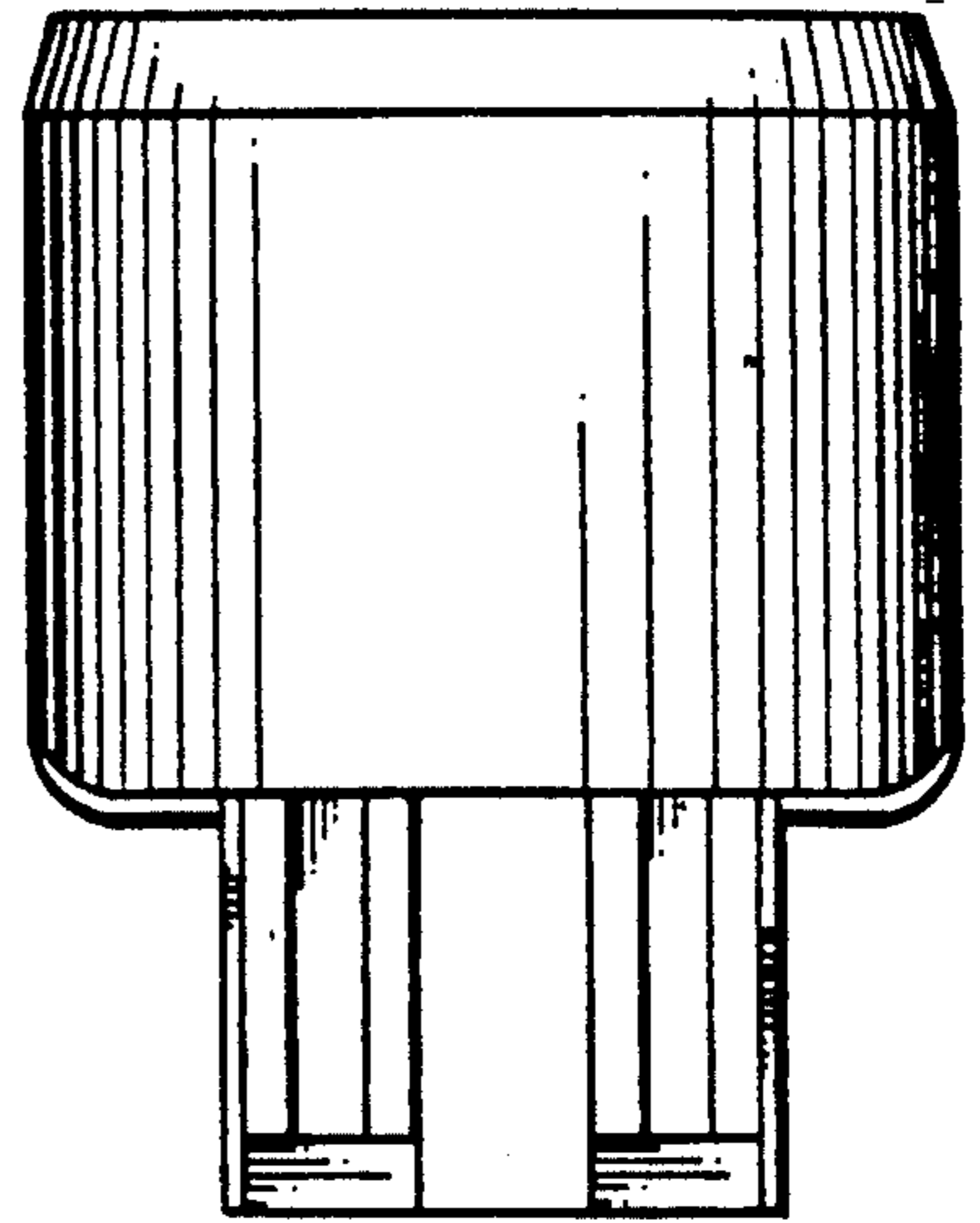


Fig. 5

Fig. 4

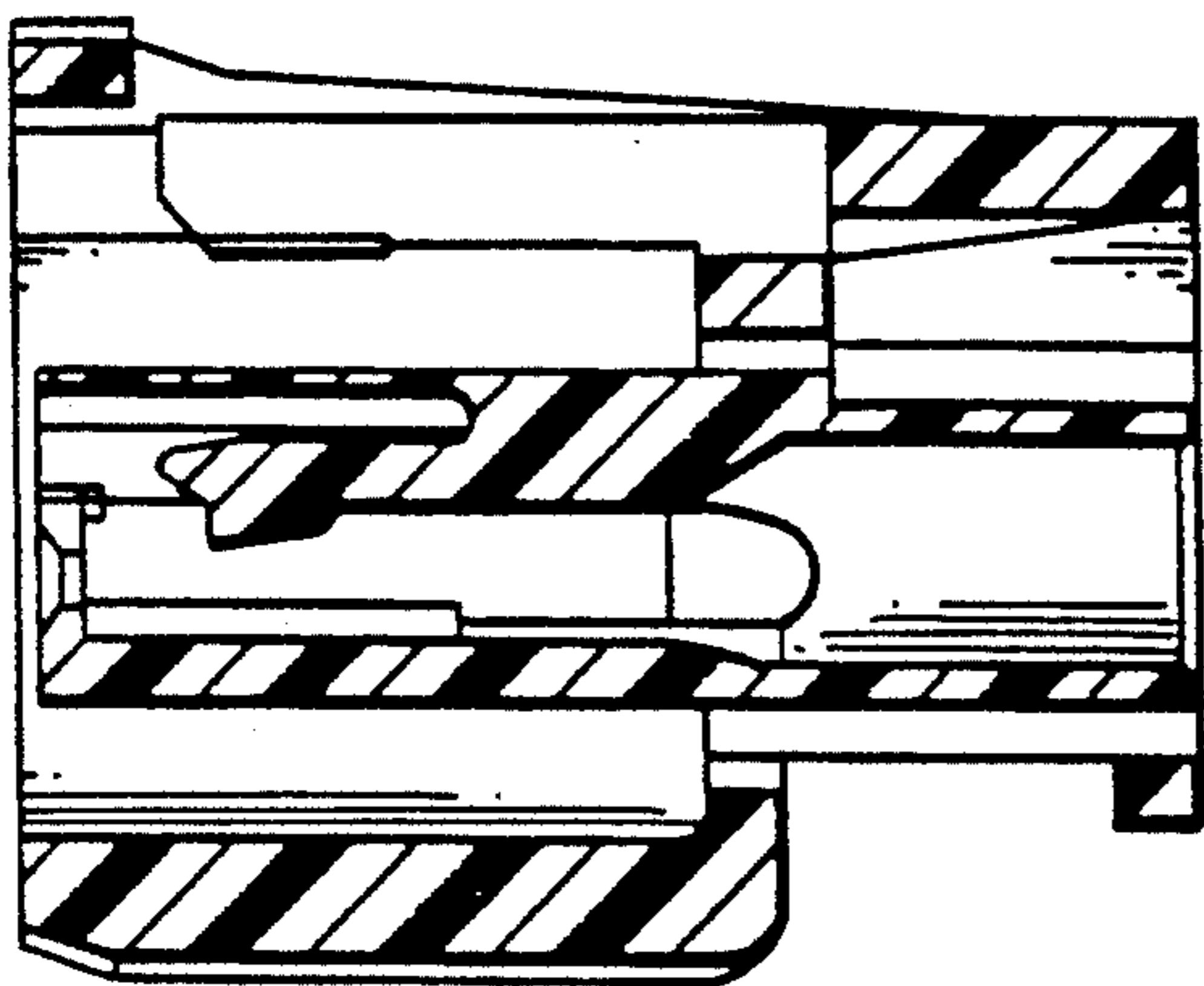
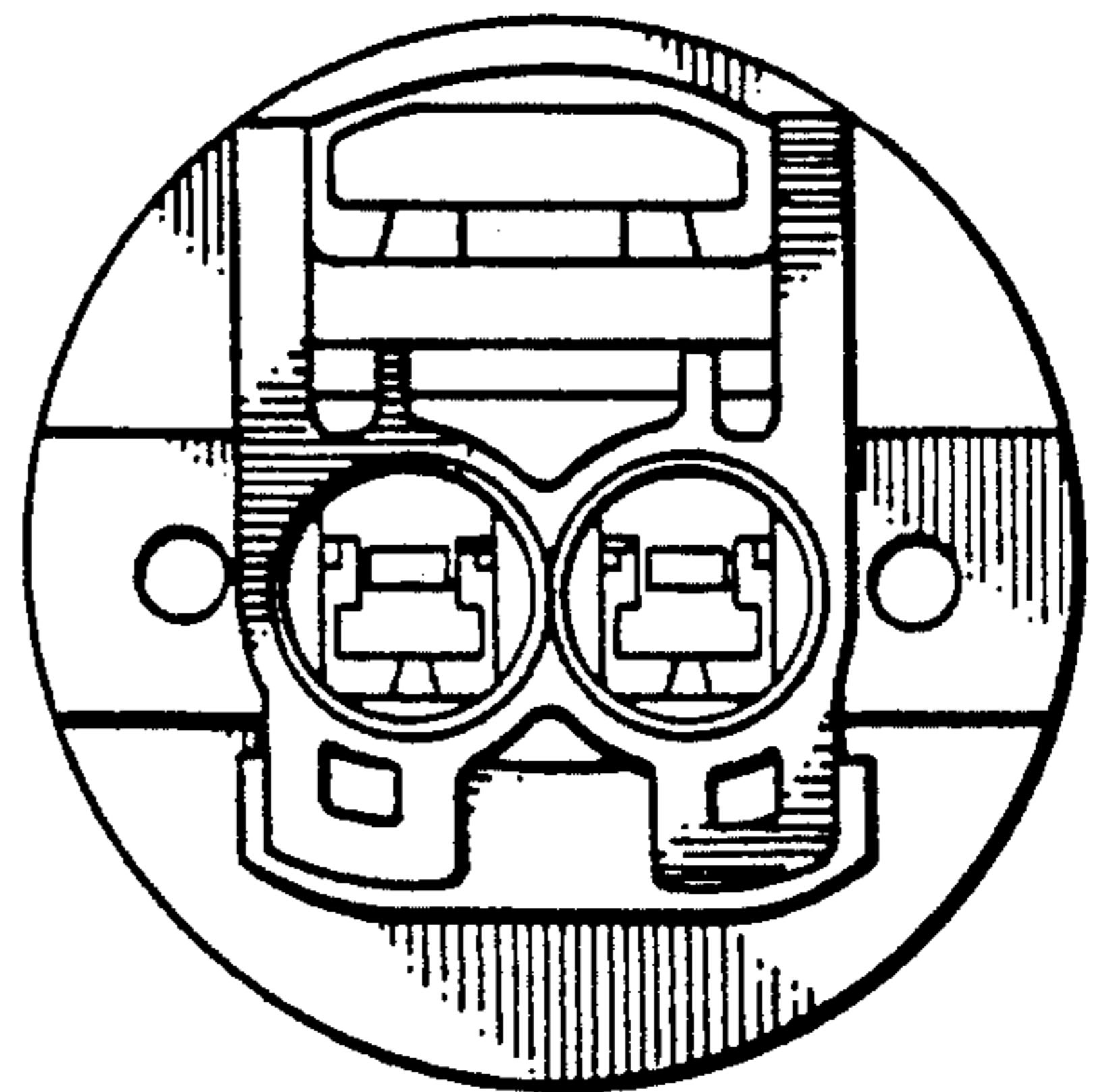


Fig. 9



UNITED STATES PATENT AND TRADEMARK OFFICE
CERTIFICATE OF CORRECTION

PATENT NO. : Des. 317,289

DATED : June 4, 1991

INVENTOR(S) : Masakuni Samejima, Masanori Tsuji, and Kiyohito Fukuda

It is certified that error appears in the above-identified patent and that said Letters Patent is hereby corrected as shown below:

On the title page, under item [19], change "Fukuda et al." to
--Samejima--.

On the title page, item [75], change the listing of Inventors to
--Masakuni Samejima, Masanori Tsuji, and Kiyohito Fukuda--.

**Signed and Sealed this
Twenty-third Day of February, 1993**

Attest:

STEPHEN G. KUNIN

Attesting Officer

Acting Commissioner of Patents and Trademarks