

[54] **PADDLEBOAT OR THE LIKE**

[76] **Inventor: Joel S. Drake, 5723 Lake St., Glen Arbor, Mich. 49636**

[\*\*] **Term: 14 Years**

[21] **Appl. No.: 443,643**

[22] **Filed: Nov. 29, 1989**

[52] **U.S. Cl. .... D12/306**

[58] **Field of Search ..... D12/300, 306; 114/58, 114/57, 59; 440/31**

[56] **References Cited**

**U.S. PATENT DOCUMENTS**

D. 192,714	5/1962	Thomas	.....	D12/306
D. 230,349	2/1974	Kyryluk	.....	D12/306
1,024,419	4/1912	Resch	.....	440/31
4,171,675	10/1979	Thompson	.....	114/58

**OTHER PUBLICATIONS**

Popular Mechanics, Jun. 1954, p. 116, Paddle Boat (top).

*Primary Examiner*—Kay H. Chin  
*Attorney, Agent, or Firm*—Varnum, Riddering, Schmidt & Howlett

[57] **CLAIM**

The ornamental design for a paddleboat or the like, as shown and described.

**DESCRIPTION**

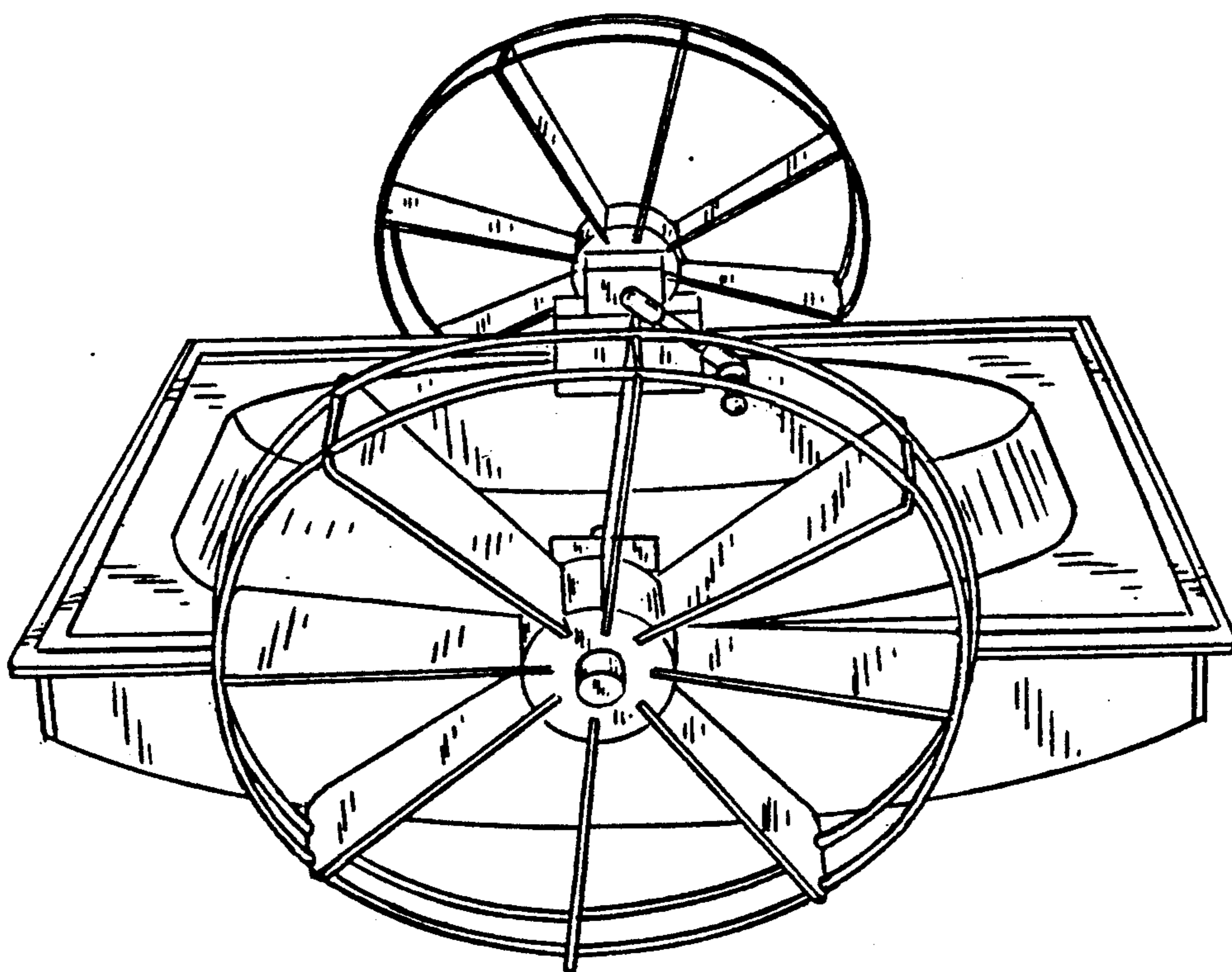
FIG. 1 is a top perspective view of a paddleboat or the like showing my new design;

FIG. 2 is a top plan view thereof;

FIG. 3 is a front elevational view thereof, the rear elevational view being a mirror image of that shown;

FIG. 4 is a side elevational view thereof, the opposite side elevational view being a mirror image of that shown;

FIG. 5 is a bottom plan view thereof.



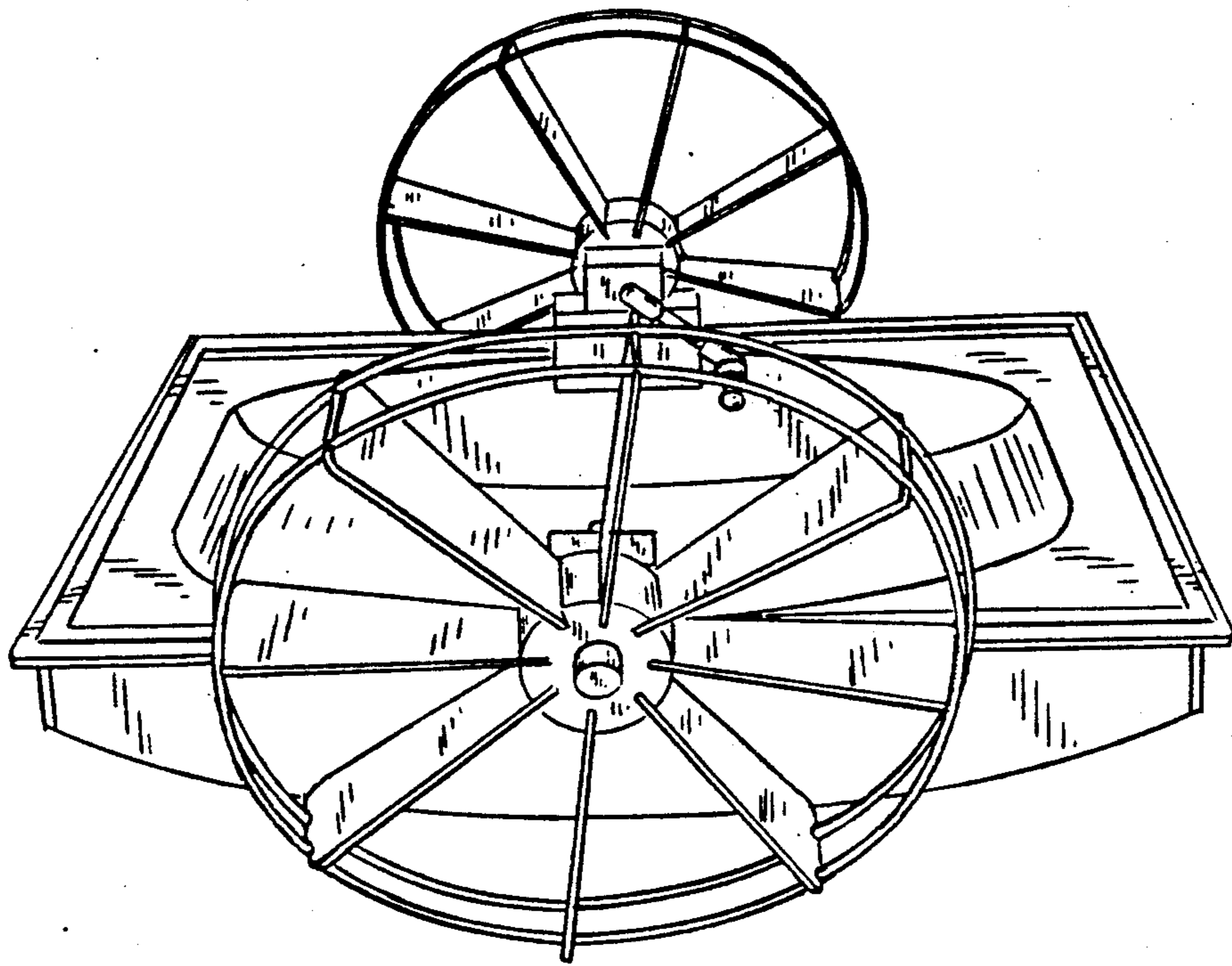


FIG-1

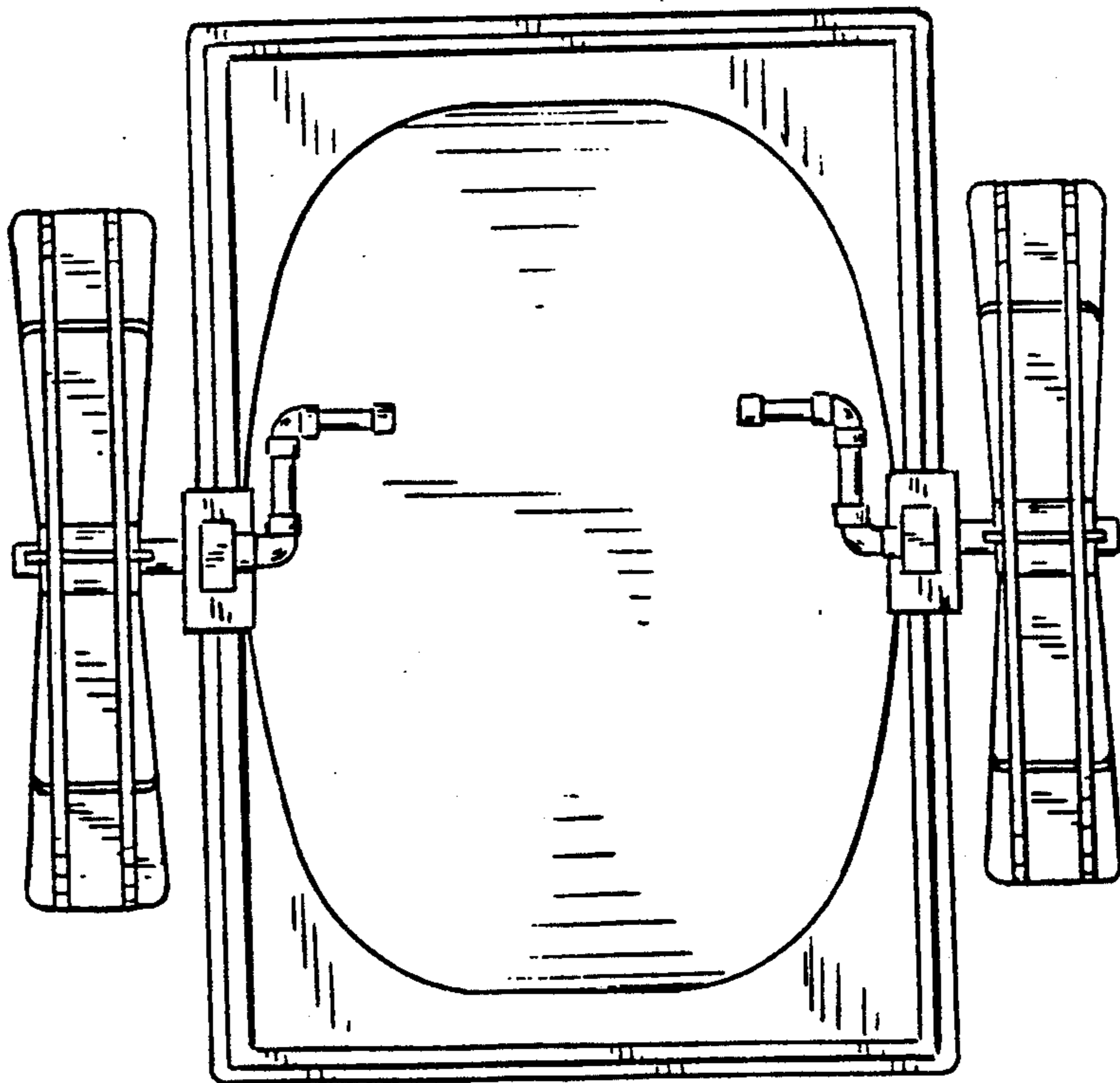


FIG-2

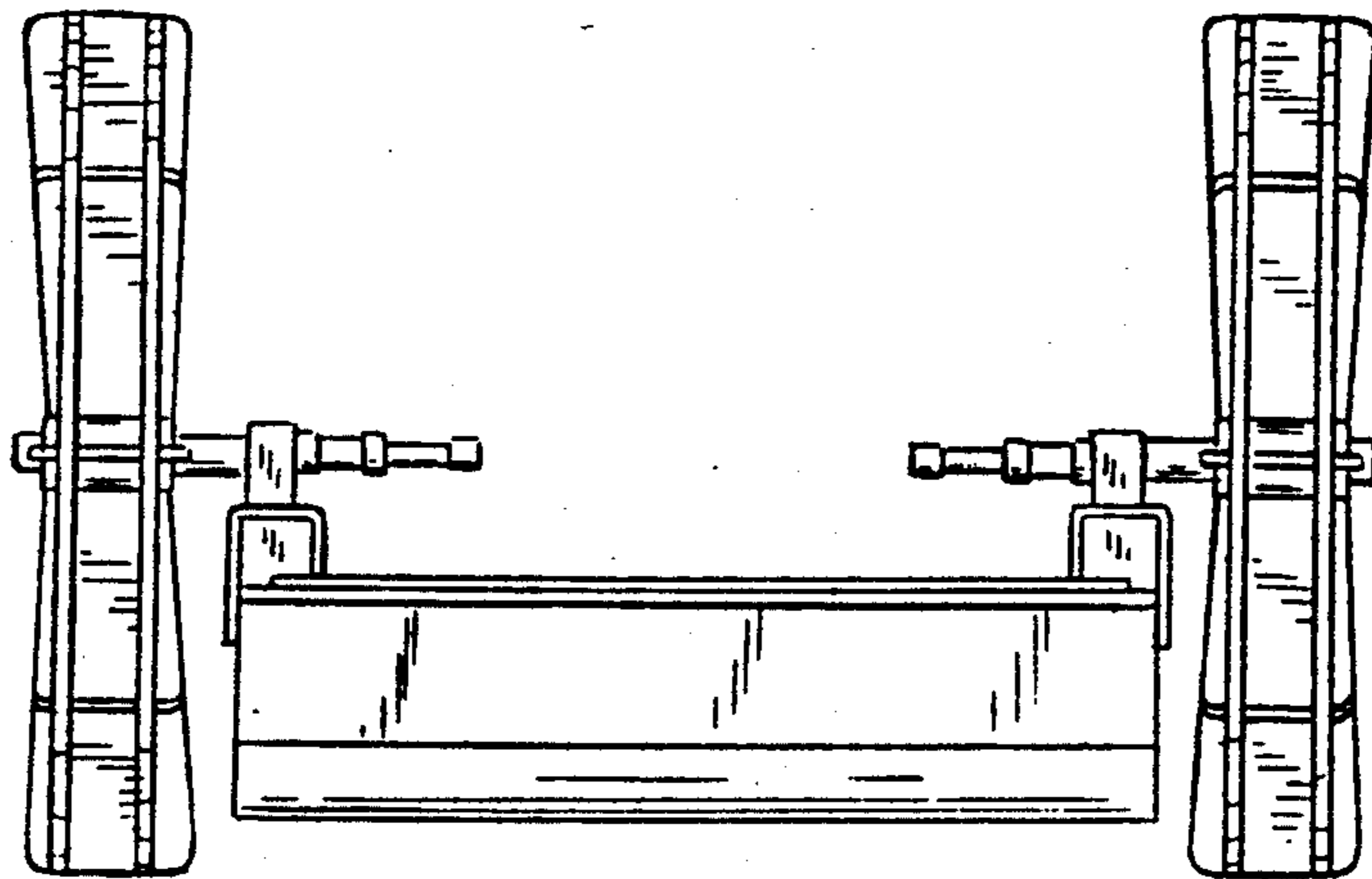


FIG. 3

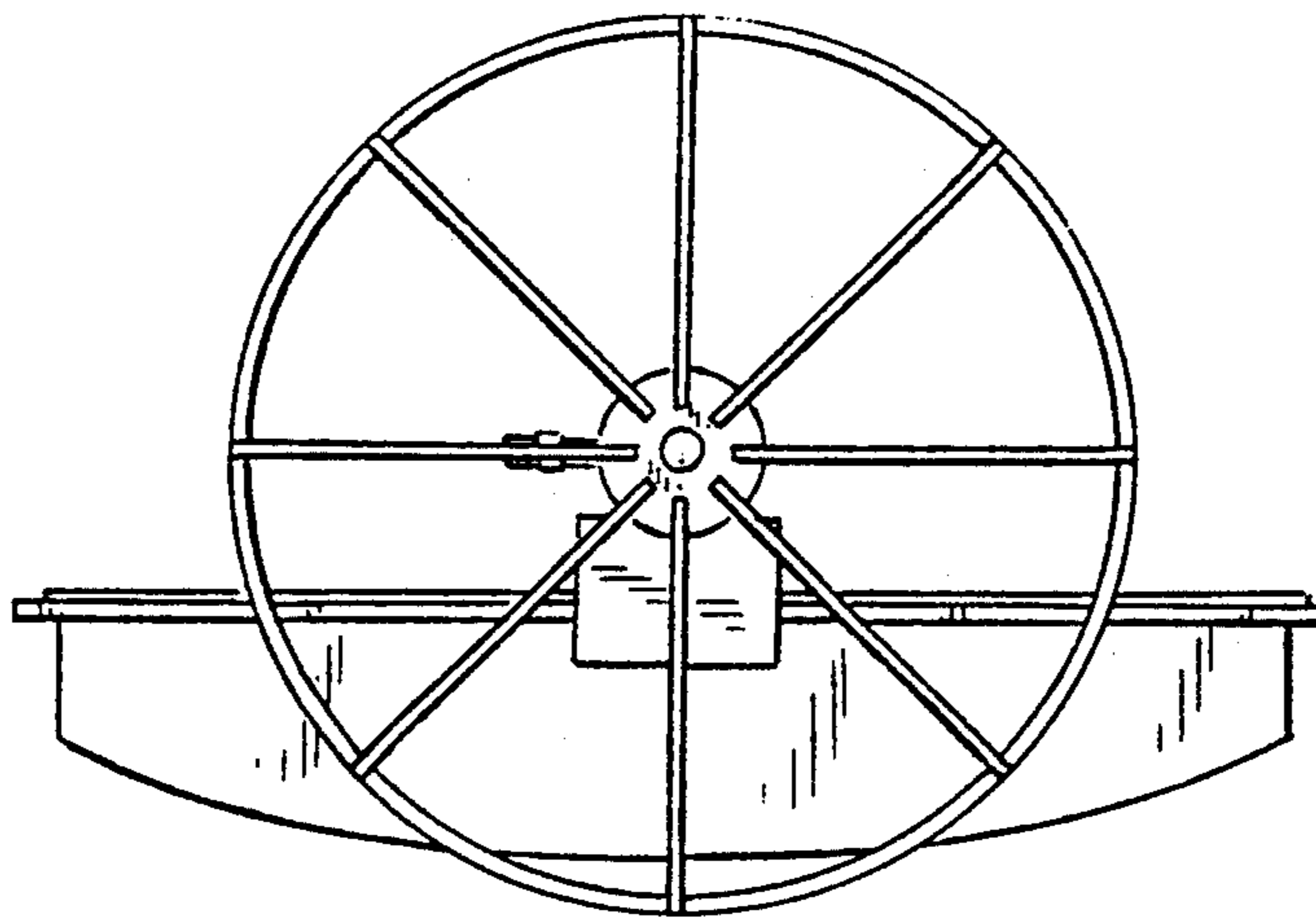


FIG. 4

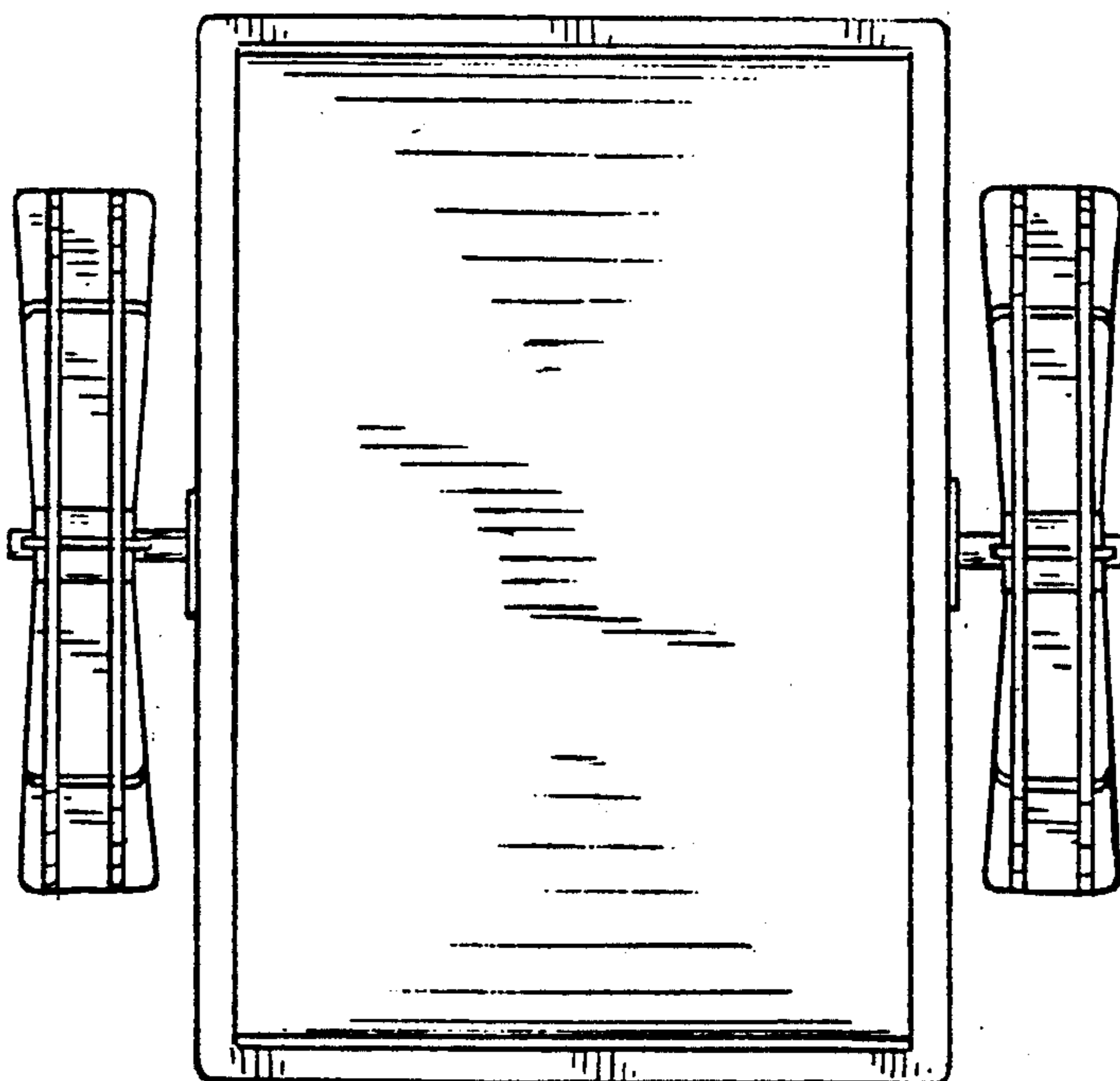


FIG. 5