

[54] INDICATOR PANEL FOR A MOTOR VEHICLE

[75] Inventor: Tai Inoue, Susono, Japan

[73] Assignee: Yazaki Corporation, Japan

[\*\*] Term: 14 Years

[21] Appl. No.: 187,994

[22] Filed: Apr. 28, 1988

[30] Foreign Application Priority Data

Oct. 28, 1987 [JP] Japan ..... 62-43733

[52] U.S. Cl. .... D12/192

[58] Field of Search ..... D12/192; 296/70, 74; 180/90

[56] References Cited

U.S. PATENT DOCUMENTS

D. 209,957 1/1968 Lathers ..... D12/192

4,352,401 10/1982 Vitaloni ..... 180/90

FOREIGN PATENT DOCUMENTS

3228623 3/1983 Fed. Rep. of Germany ..... 180/90

2421750 12/1979 France ..... 180/90

Primary Examiner—James M. Gandy

Attorney, Agent, or Firm—Jones, Askew & Lunsford

[57] CLAIM

The ornamental design for an indicator panel for a motor vehicle, as shown.

DESCRIPTION

FIG. 1 is a perspective view of an indicator panel for a motor vehicle, showing my new design;

FIG. 2 is a top plan view thereof;

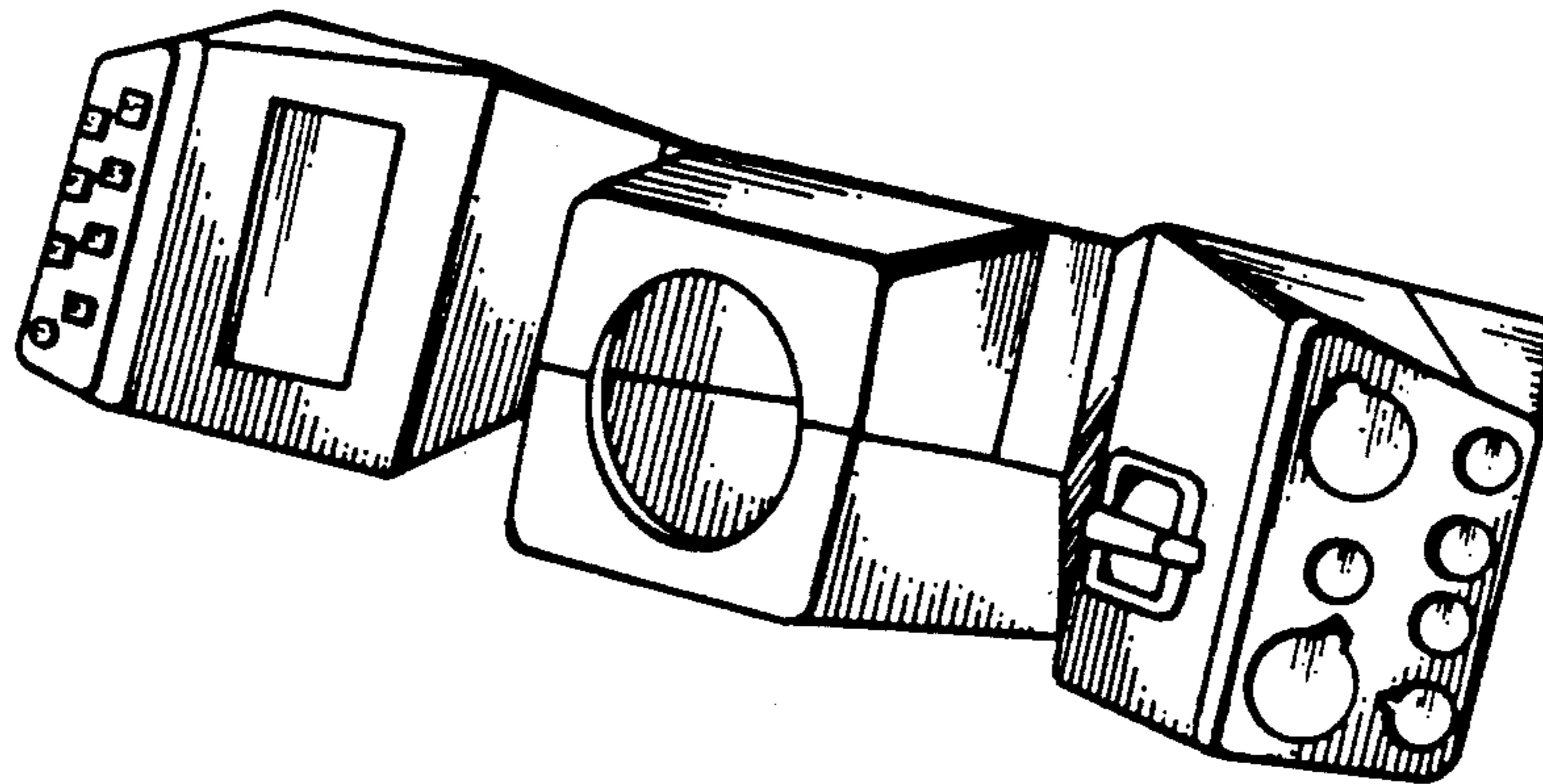
FIG. 3 is a front elevational view thereof;

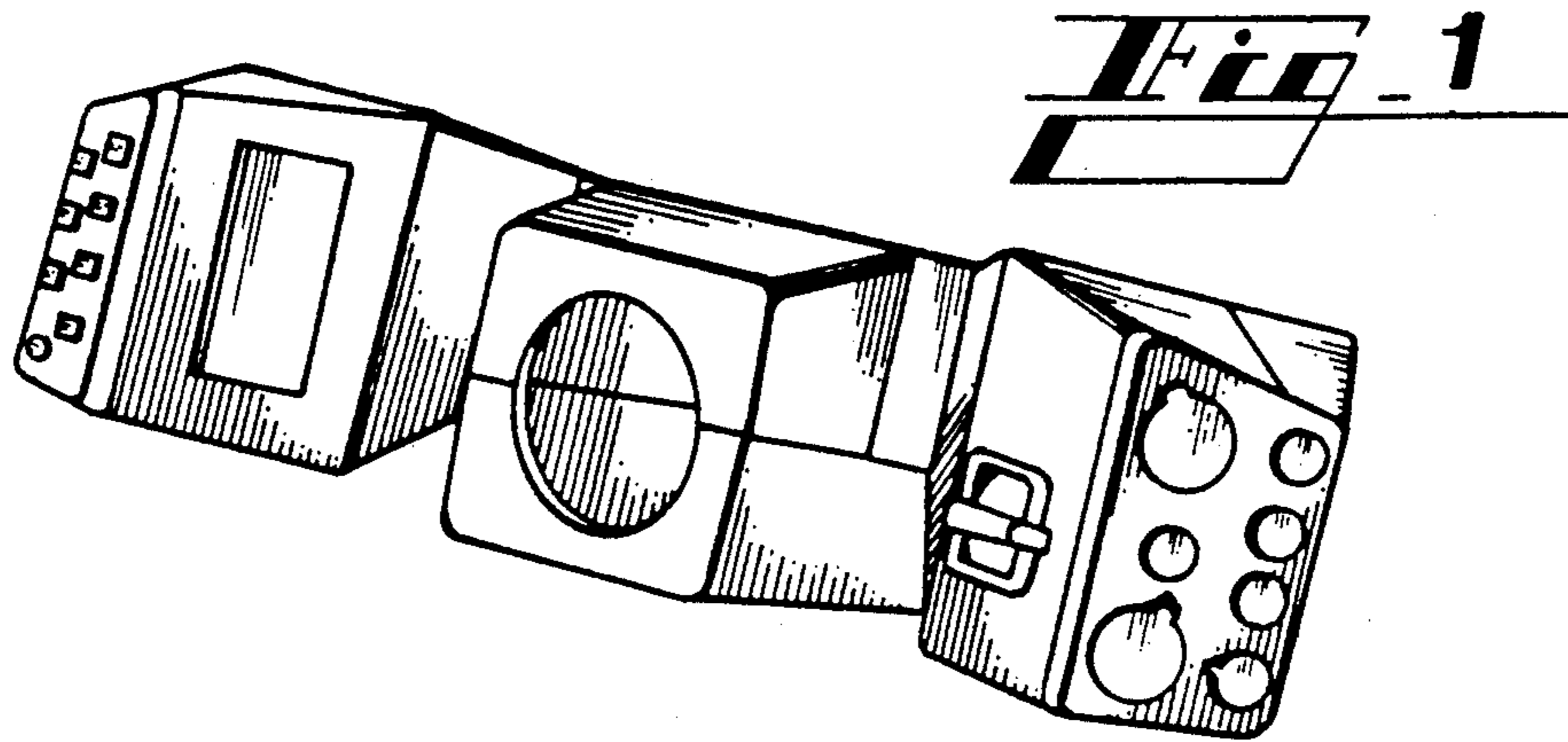
FIG. 4 is a bottom plan view thereof;

FIG. 5 is a rear elevation view thereof;

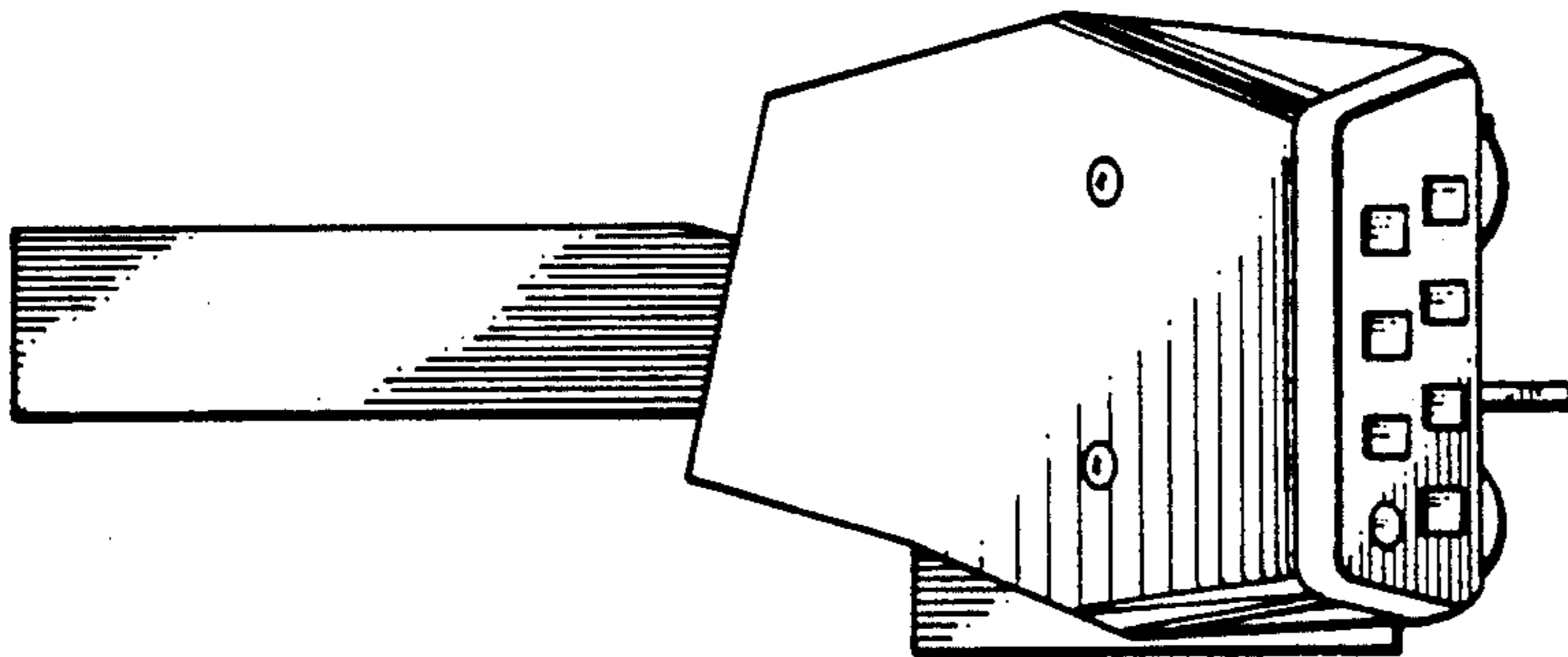
FIG. 6 is a left side elevation view thereof; and

FIG. 7 is a right side elevation view thereof.

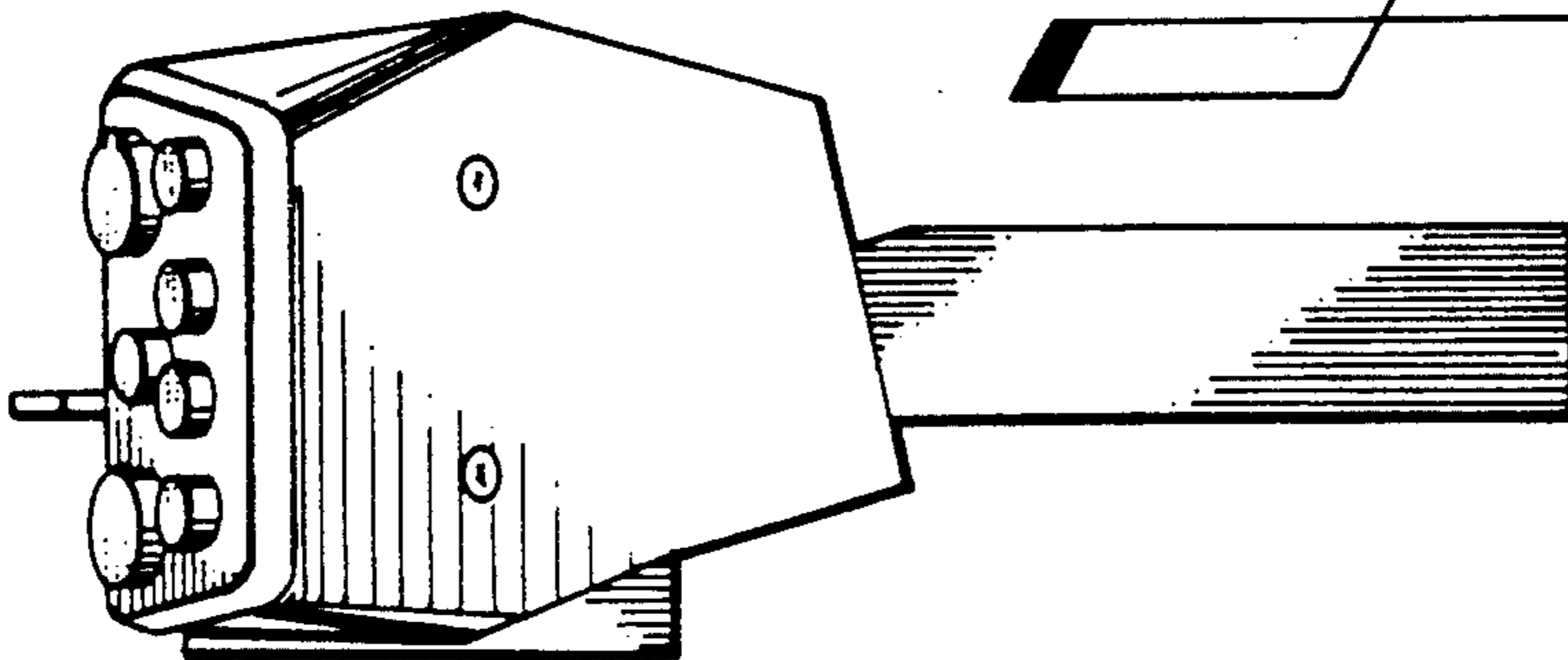




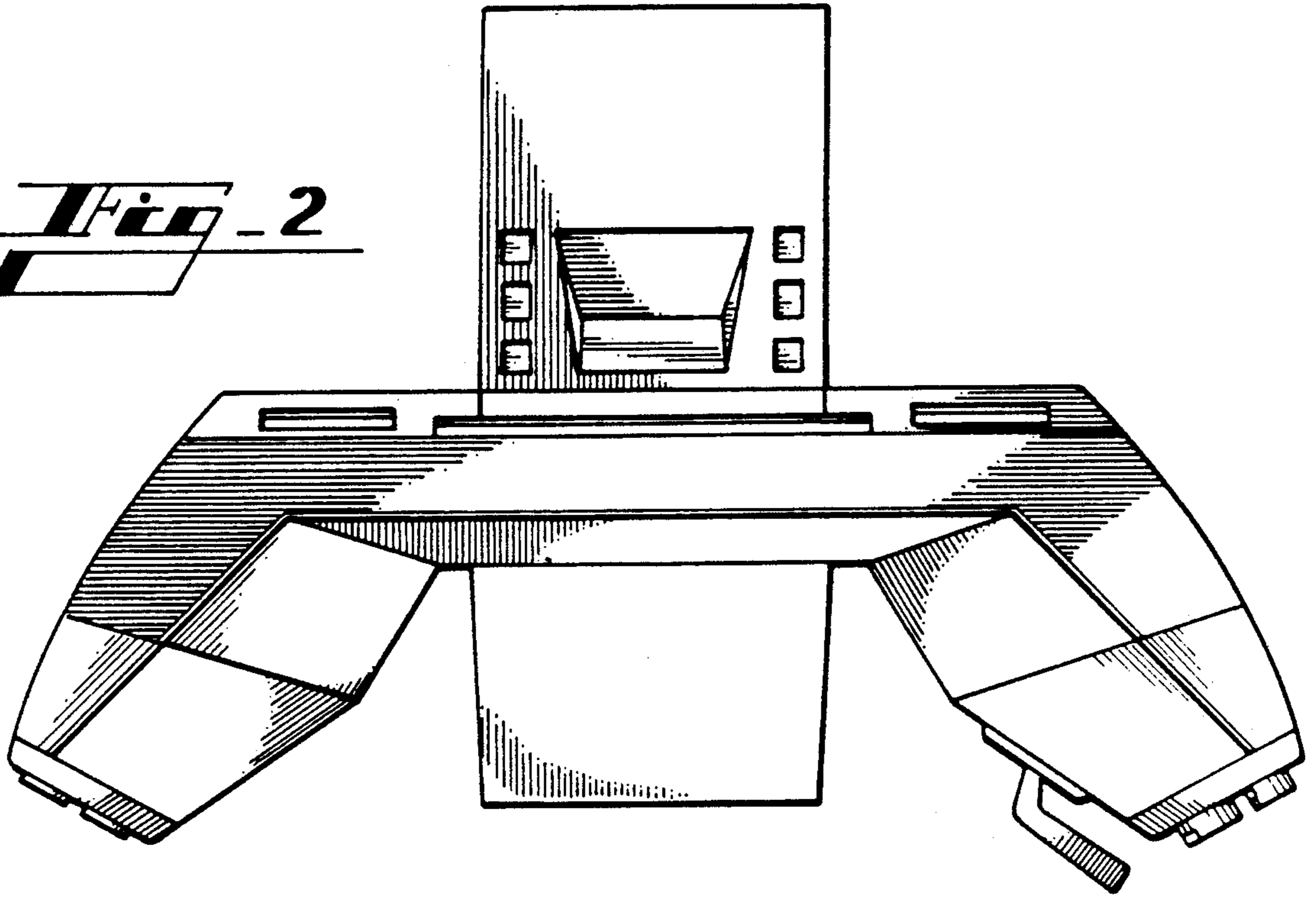
**Fig. 6**



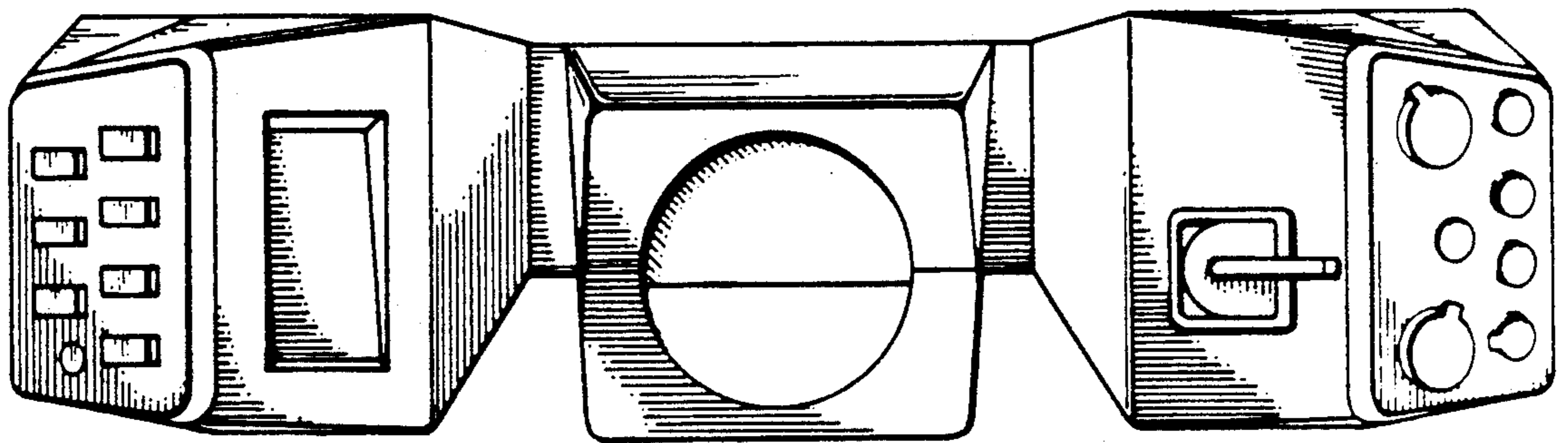
**Fig. 7**

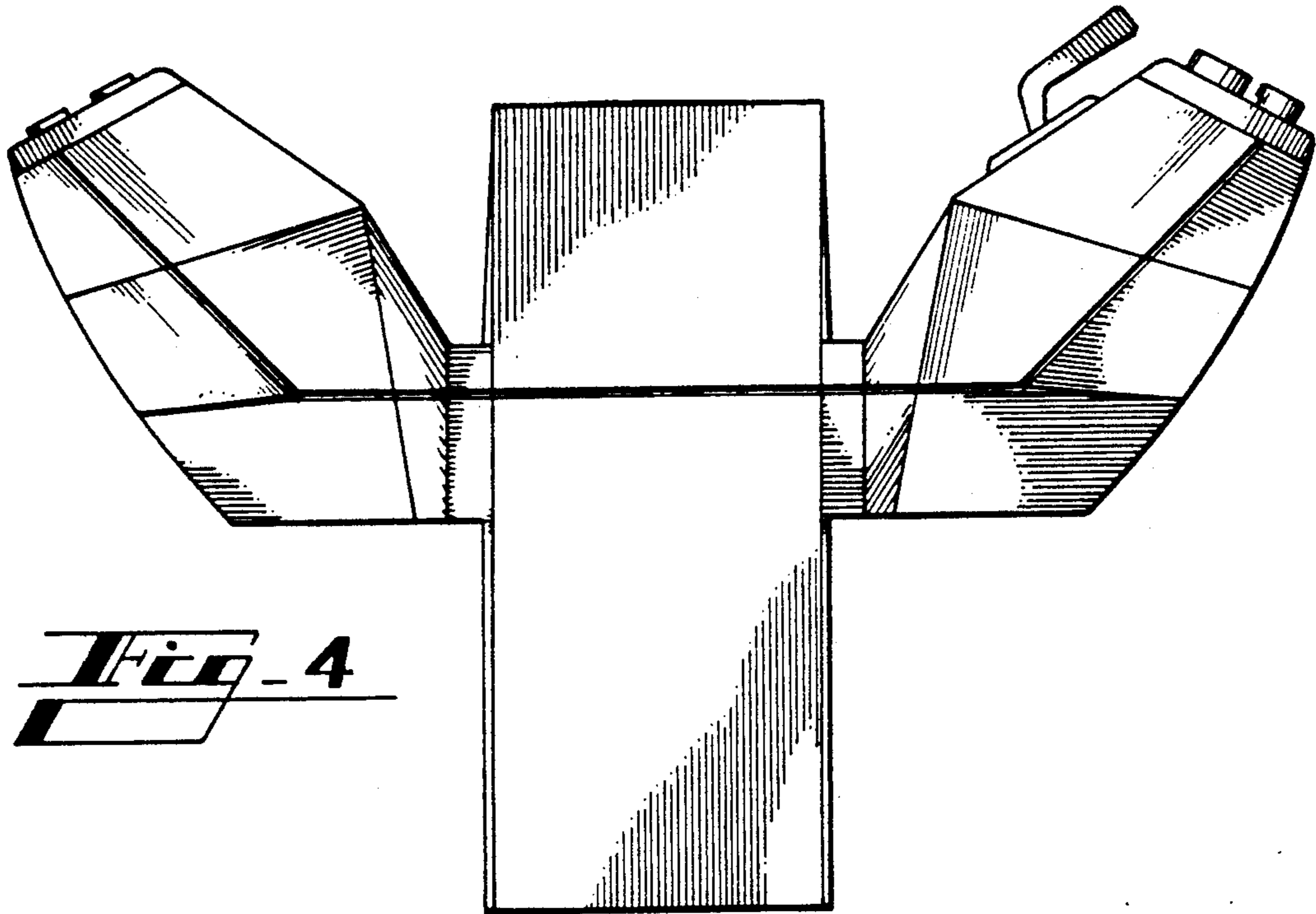


*Fig. 2*



*Fig. 3*





**Fig. 4**

**Fig. 5**

