

[54] **BICYCLE HANDLEBAR**

- [75] **Inventor:** David K. McMurtrey, Maysville, Ky.
- [73] **Assignee:** Wald Manufacturing Co., Inc., Maysville, Ky.
- [\*\*] **Term:** 14 Years
- [21] **Appl. No.:** 43,985
- [22] **Filed:** Apr. 29, 1987

**Related U.S. Application Data**

- [63] Continuation-in-part of Ser. No. 885,432, Jul. 14, 1986.
- [52] **U.S. Cl.** ..... D12/178
- [58] **Field of Search** ..... D12/178; 74/551.1

**References Cited**

**U.S. PATENT DOCUMENTS**

D. 213,163	1/1969	Stone	.....	D12/178
D. 214,477	6/1969	Pawsat et al.	.....	D12/178
D. 221,322	7/1971	Pawsat et al.	.....	D12/178
D. 237,164	10/1975	Knapp	.....	D12/111
D. 284,845	7/1986	Worsham	.....	D12/178
4,630,502	12/1986	Greco	.....	74/551.1

**OTHER PUBLICATIONS**

American Bicyclist and Motorcyclist, Aug. 85, Library

No. p. 76, Bicycle Handlebar LCH-672 at the bottom of the page.  
 American Bicyclist and Motorcyclist, Sep. 85, Library No. p. 44, Bicycle Handlebar (Kuang Ye).  
*Taiwan Bicycles & Parts Buyers' Guide*, 1986—selected pages.

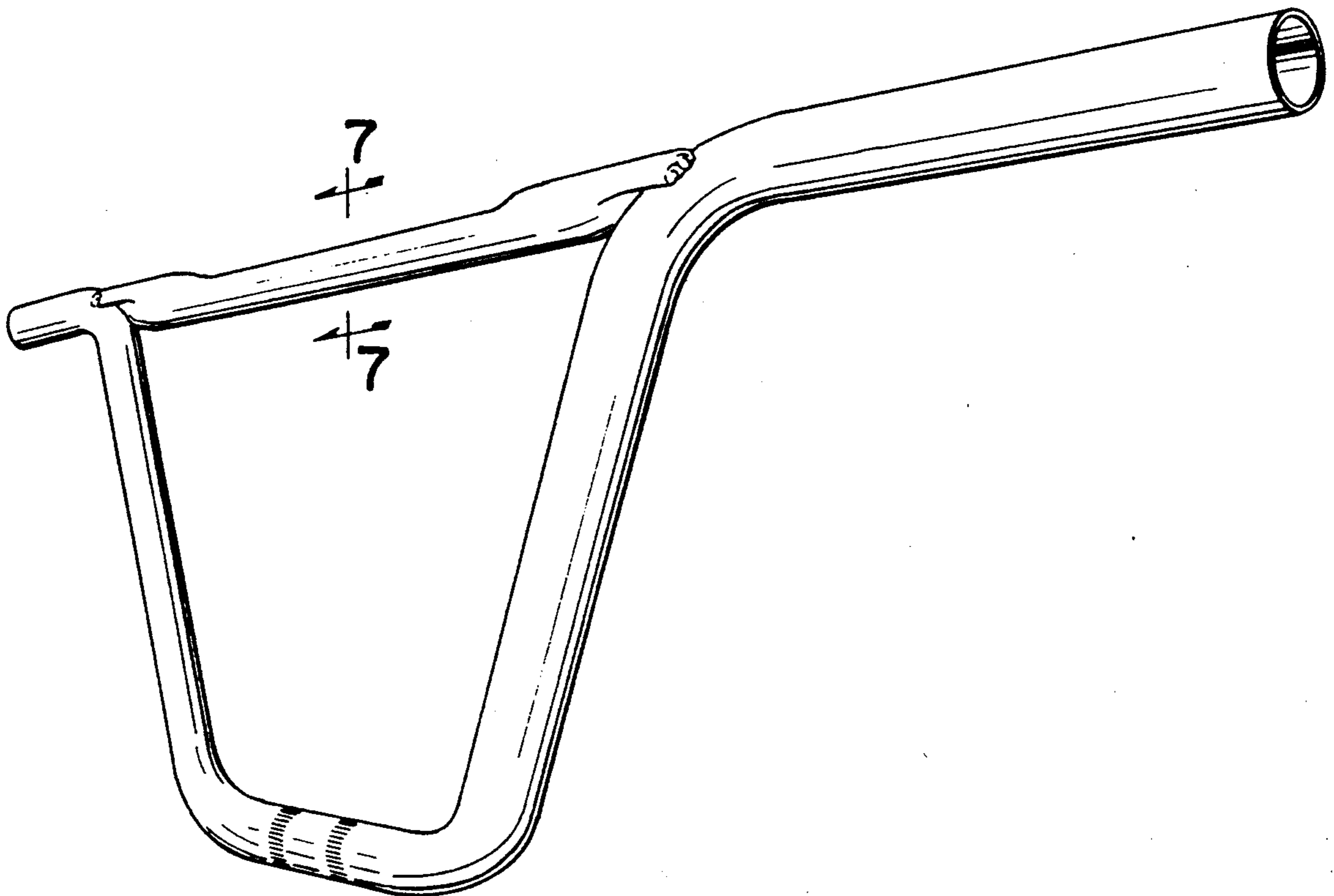
*Primary Examiner*—James M. Gandy  
*Assistant Examiner*—Melody N. Brown  
*Attorney, Agent, or Firm*—Wood, Herron & Evans

[57] **CLAIM**

The ornamental design for a bicycle handlebar, as shown and described.

**DESCRIPTION**

FIG. 1 is a perspective view of a bicycle handlebar embodying my new design.  
 FIG. 2 is a front elevational view thereof.  
 FIG. 3 is a rear elevational view thereof.  
 FIG. 4 is a top plan view thereof.  
 FIG. 5 is a bottom plan view thereof.  
 FIG. 6 is an end elevational view of one end thereof, the opposite end being a mirror image thereof.  
 FIG. 7 is an enlarged cross-sectional view thereof taken on line 7—7 of FIG. 1.  
 The characteristic feature of my design resides in the shallow, V-shaped channel in the top surface of the center portion of the top crossbar of the handlebar.



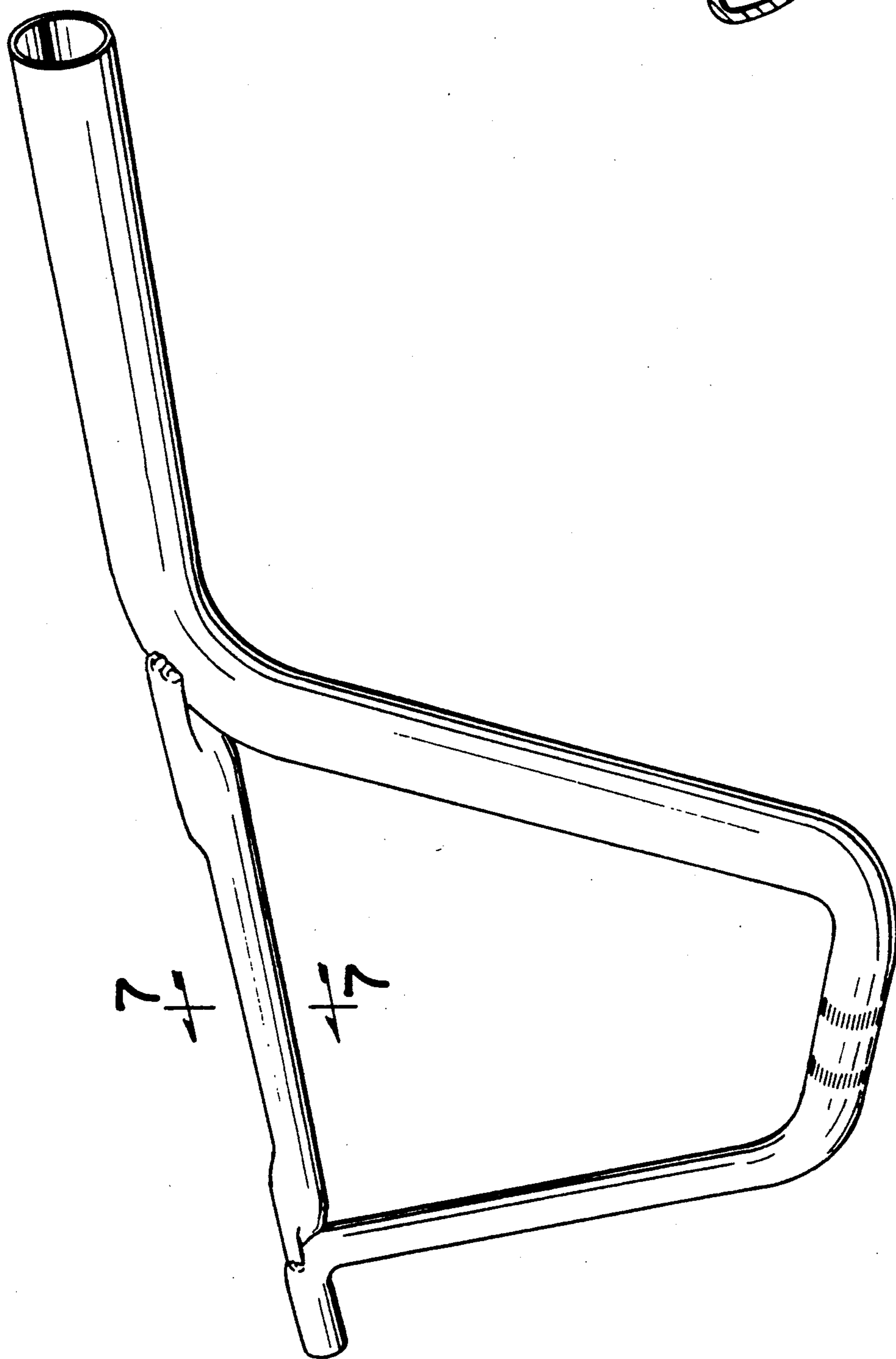


FIG. 1

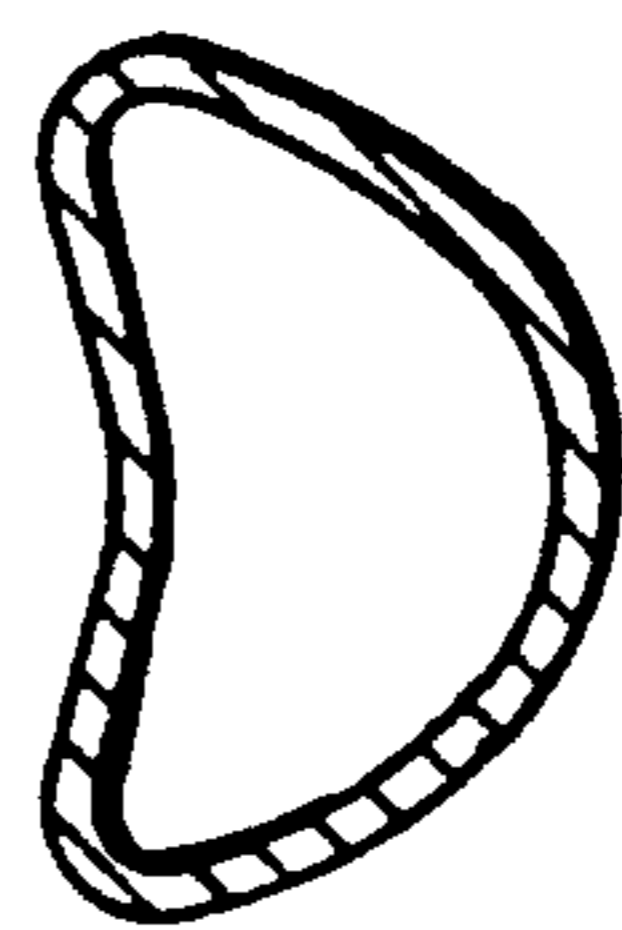


FIG. 7

