

[54] **AUTOMOBILE COVER OR SIMILAR ARTICLE**

[76] **Inventor: David L. Gray, 8403 W. Entiat Pl., Kennewick, Wash. 99336**

[**] **Term: 14 Years**

[21] **Appl. No.: 244,255**

[22] **Filed: Sep. 14, 1988**

[52] **U.S. Cl. D12/155**

[58] **Field of Search D12/155, 156; 296/95.1, 296/136; 160/370.2**

[56] **References Cited**

U.S. PATENT DOCUMENTS

2,849,012 8/1958 Cohen et al. 296/95.1

FOREIGN PATENT DOCUMENTS

0493935 7/1976 Australia 296/95.1
1332703 6/1963 France 296/95.1
1444149 5/1966 France 296/95.1

1290862 9/1972 United Kingdom 296/95.1

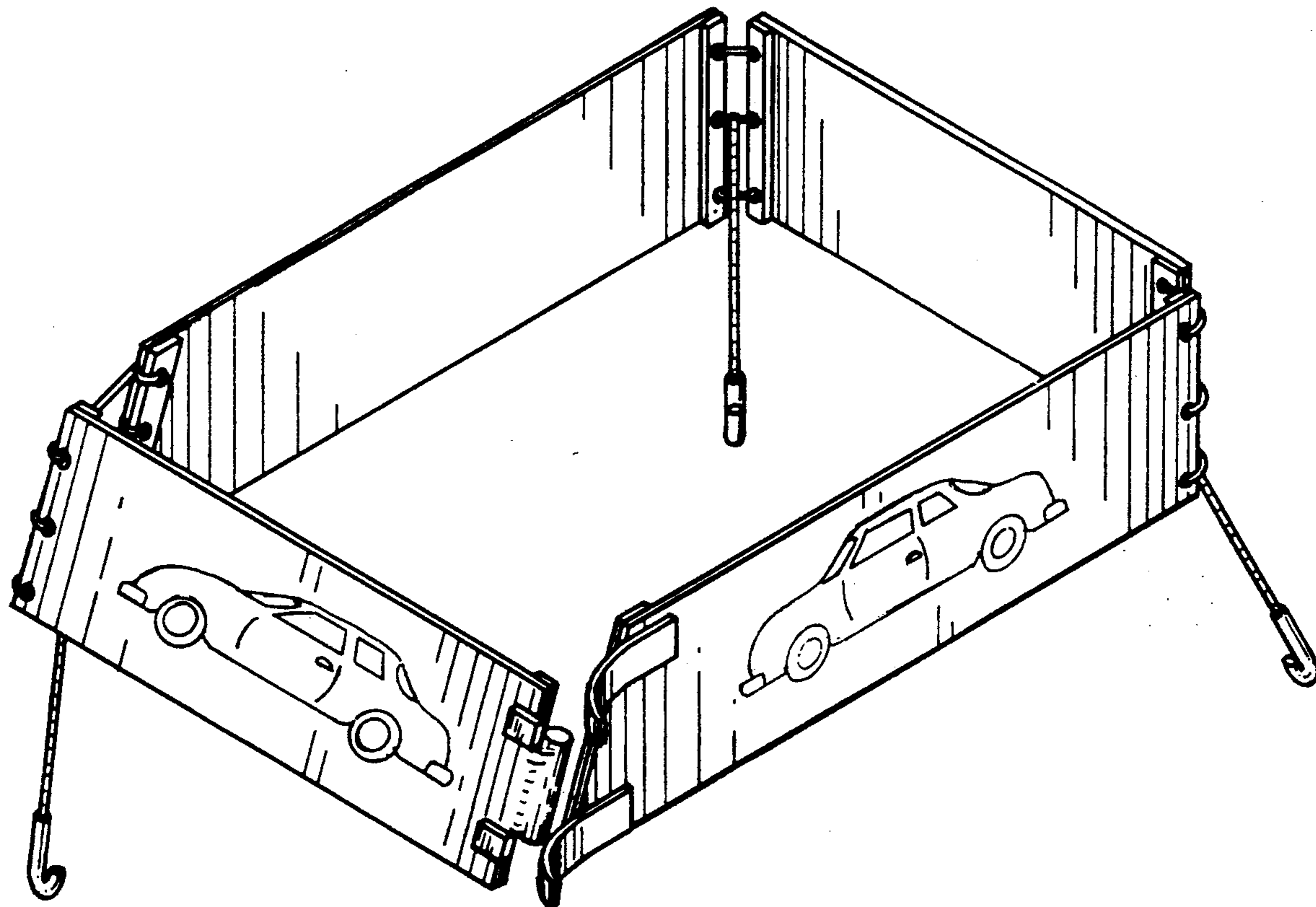
Primary Examiner—James M. Gandy
Attorney, Agent, or Firm—Terry M. Gernstein

[57] **CLAIM**

The ornamental design for an automobile cover or similar article, as shown.

DESCRIPTION

FIG. 1 is a perspective view of an automobile cover or similar article showing our new design; FIG. 2 is a side elevational view thereof; FIG. 3 is a top plan view thereof; FIG. 4 is a rear elevational view thereof; FIG. 5 is a bottom plan view thereof; FIG. 6 is a front elevational view thereof; FIG. 7 is a side elevational view thereof opposite to that shown in FIG. 2; and FIG. 8 is an enlarged fragmentary perspective view of one of the rear corners thereof showing the connection in greater detail.



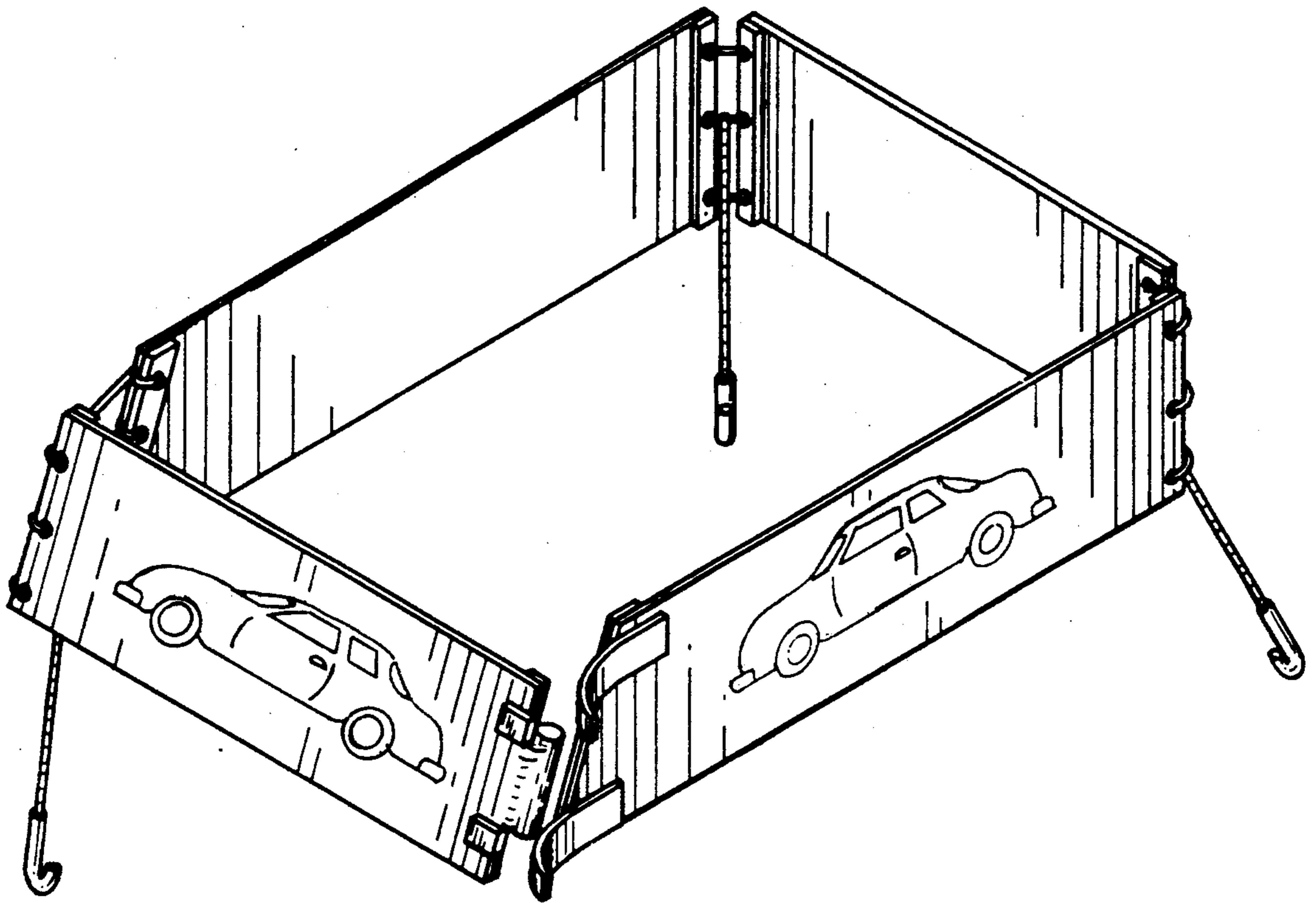


FIG. 1

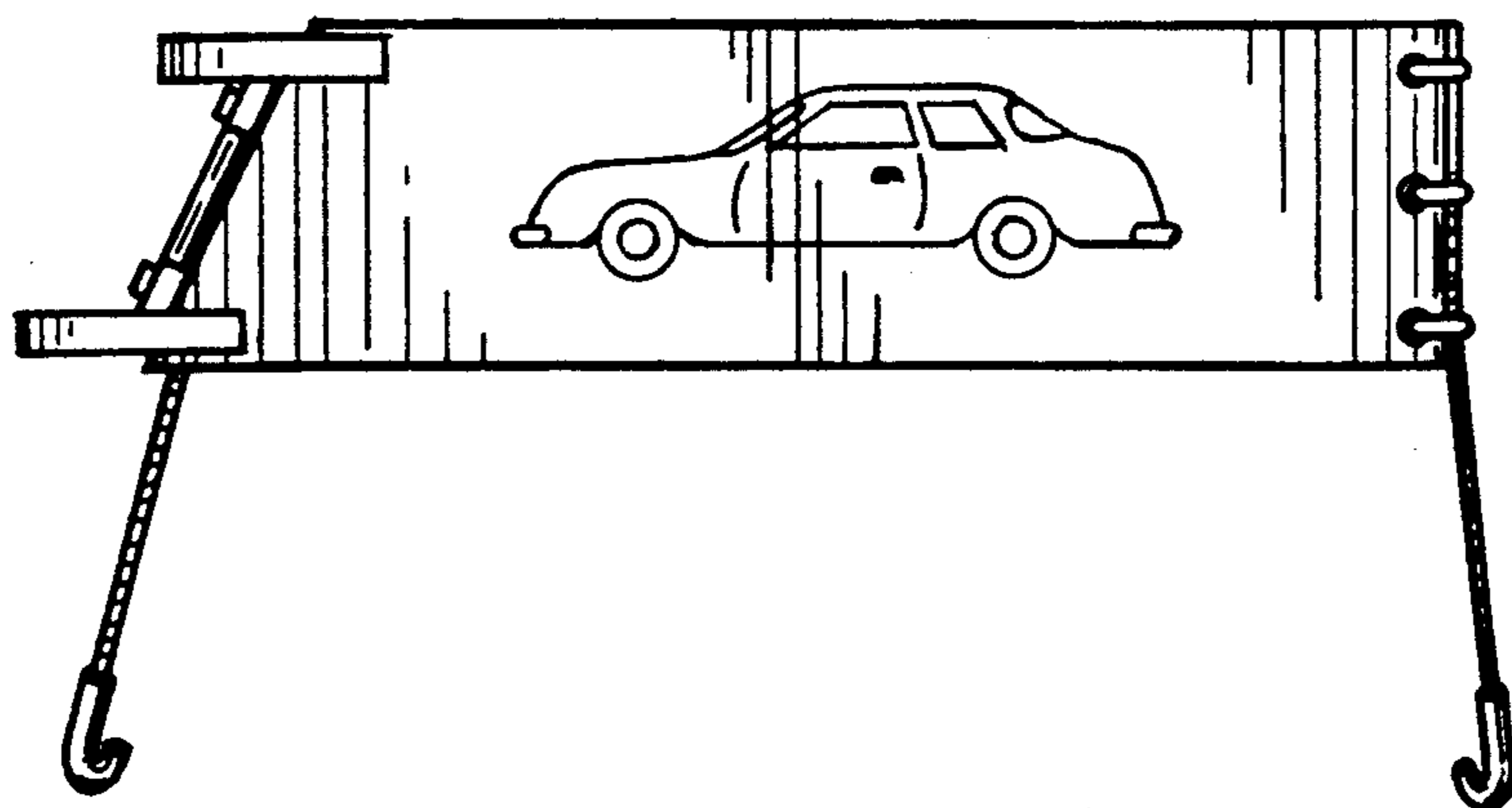


FIG. 2

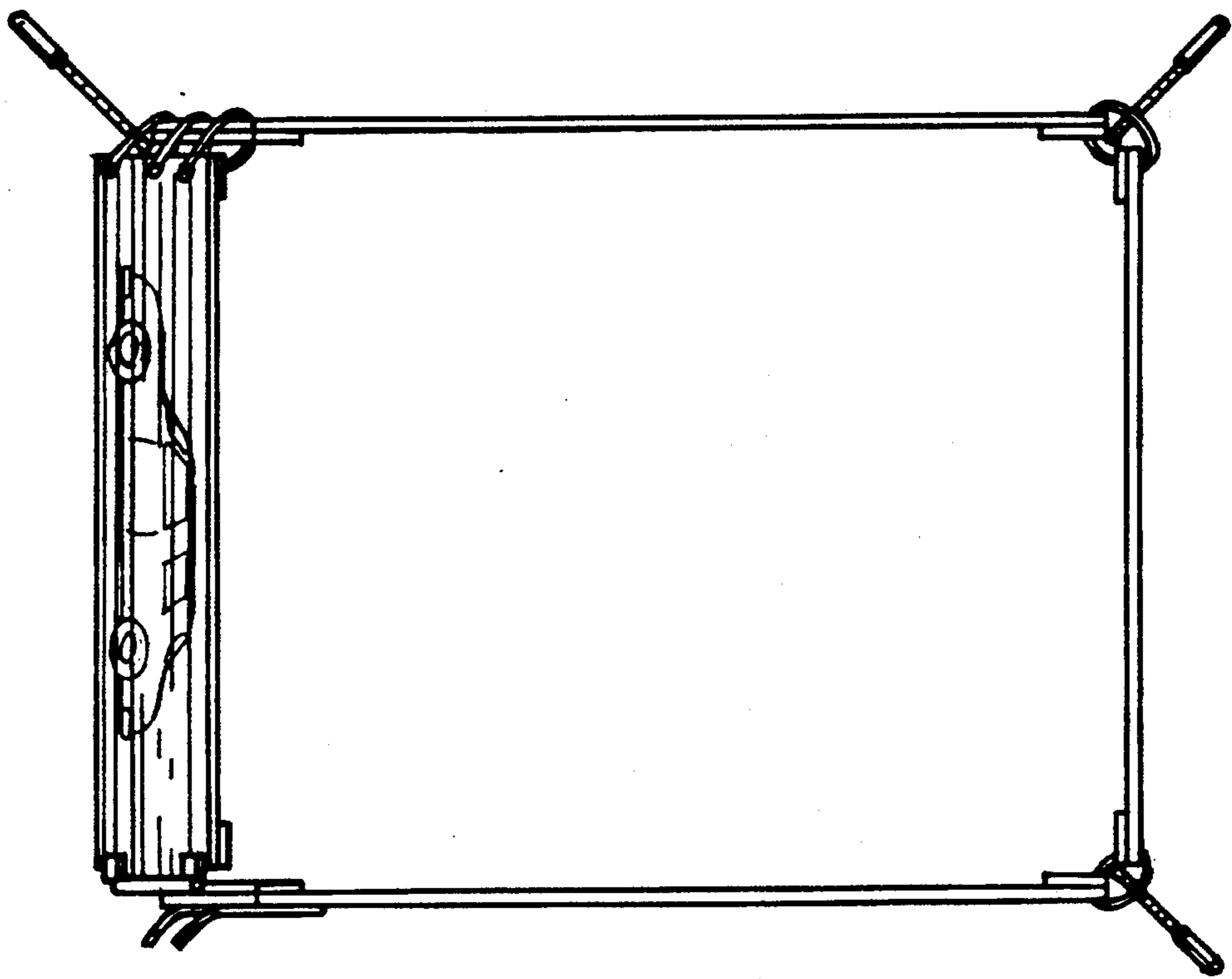


FIG. 3

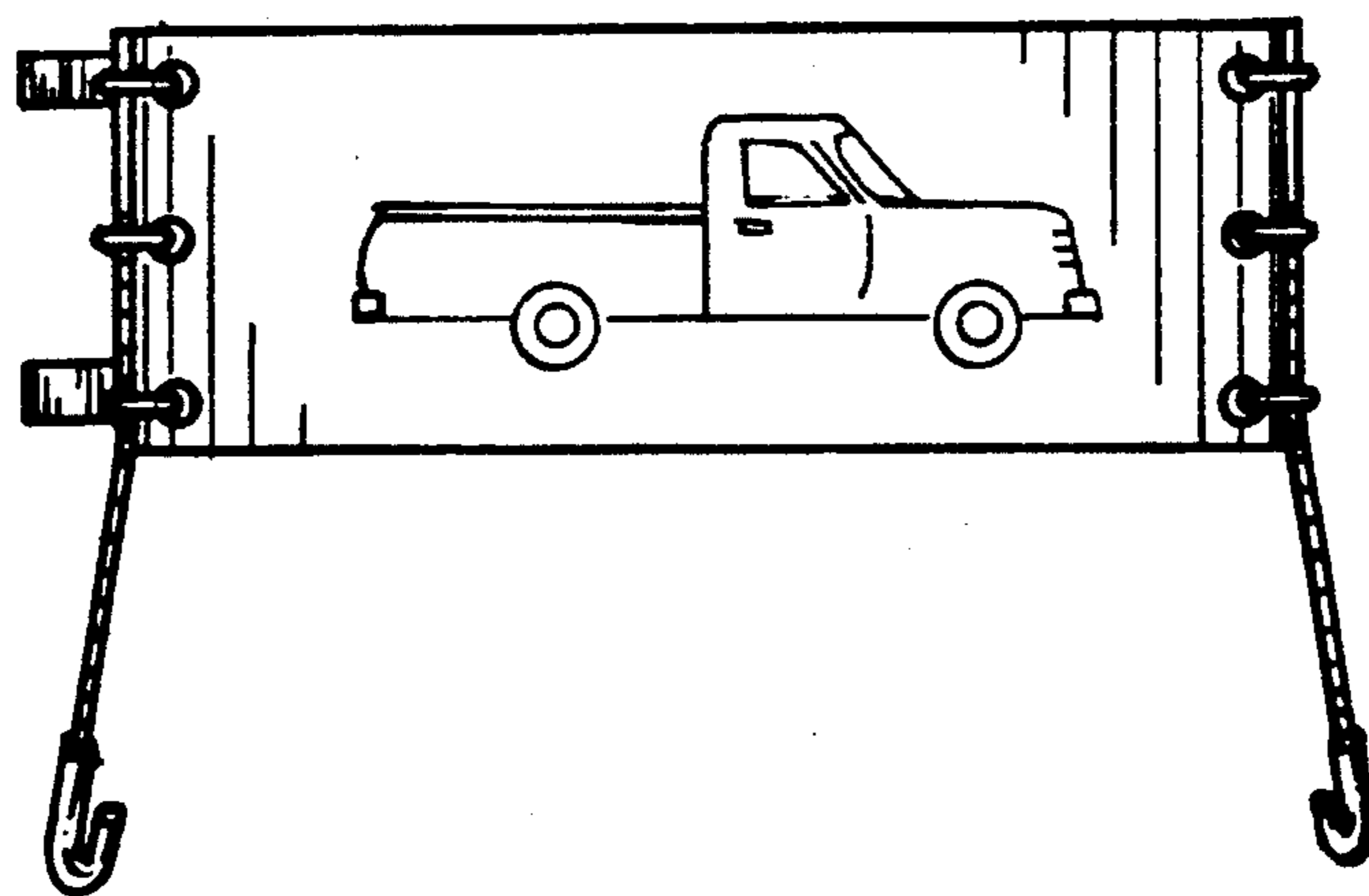


FIG. 4

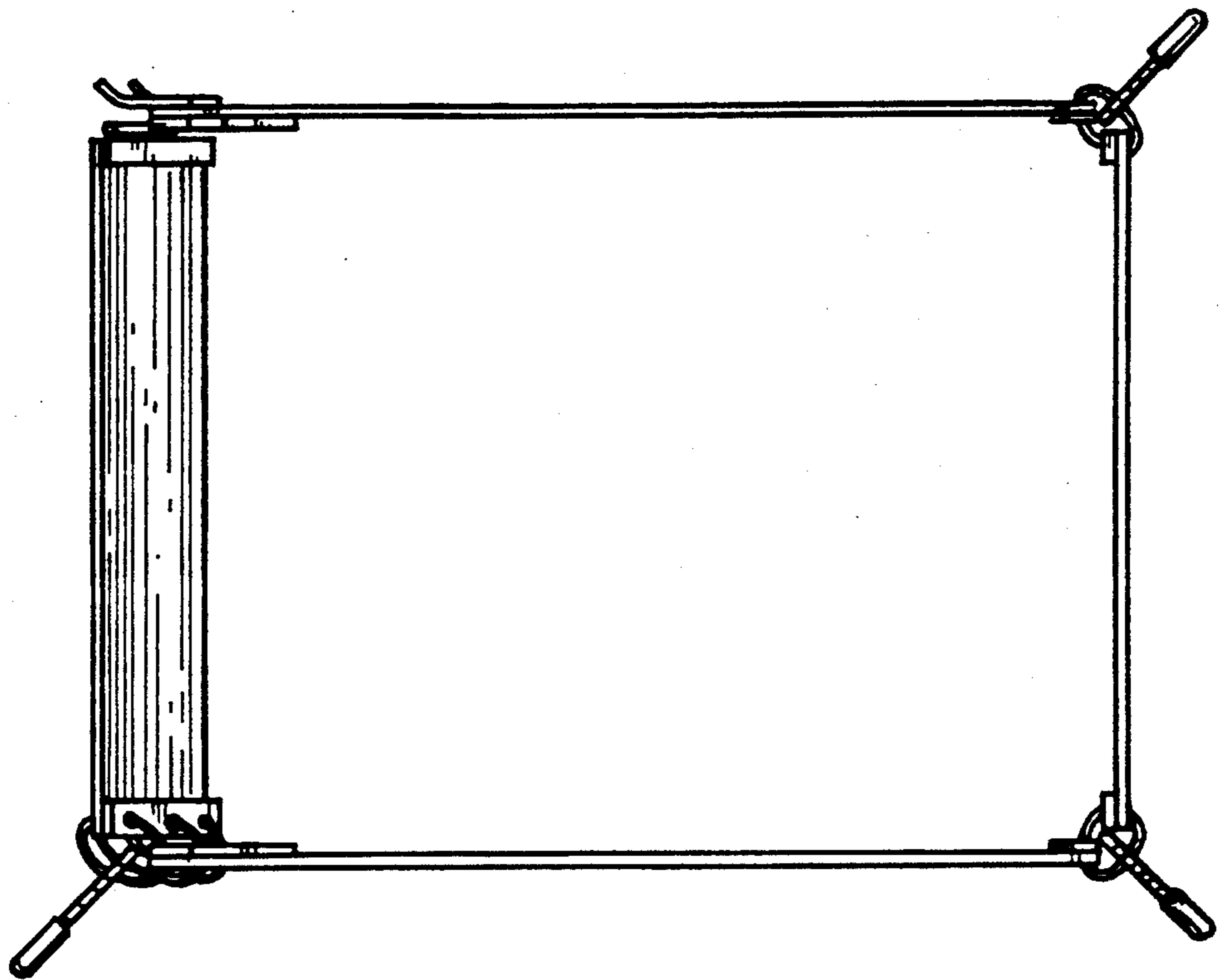


FIG. 5

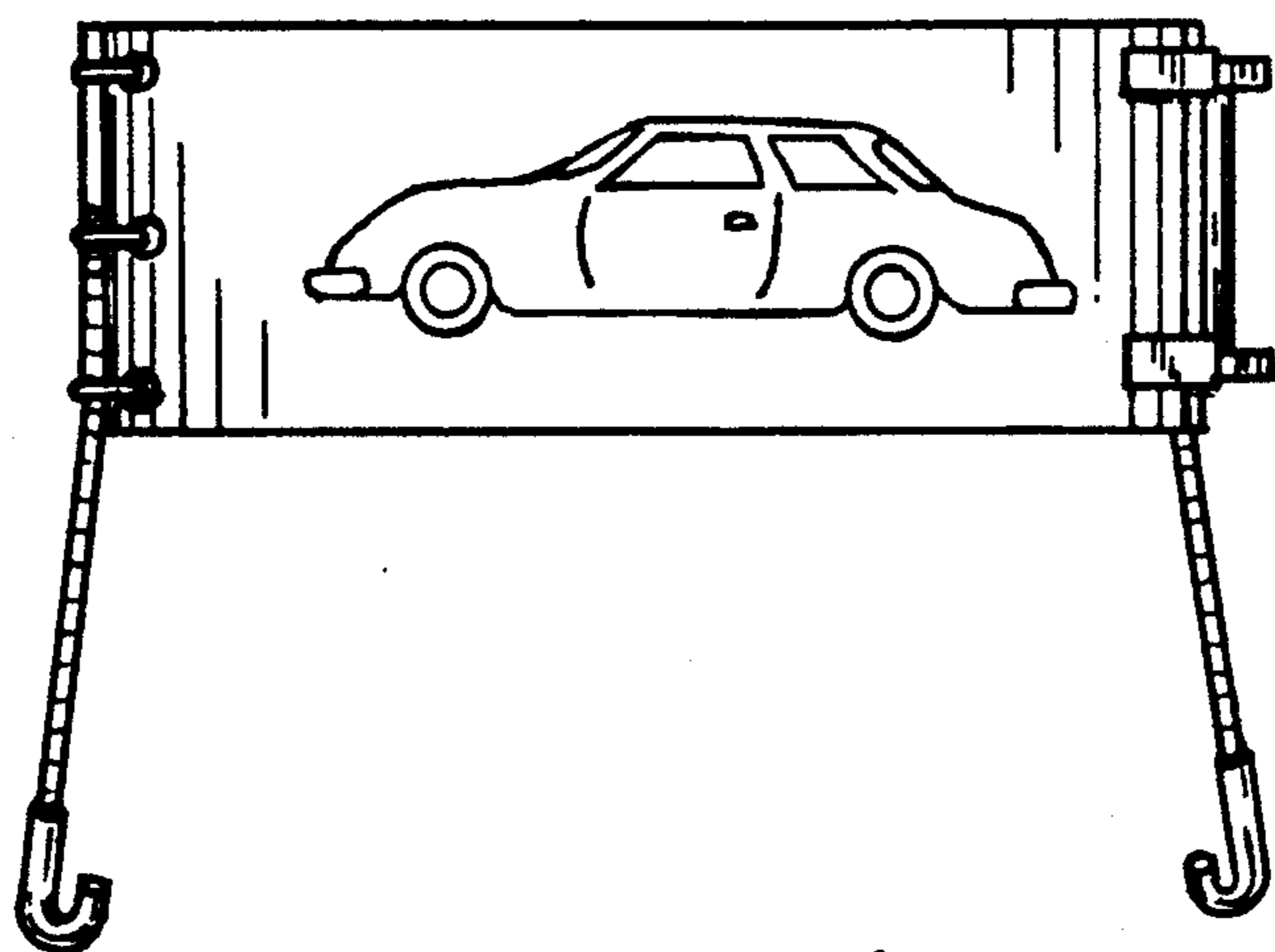


FIG. 6

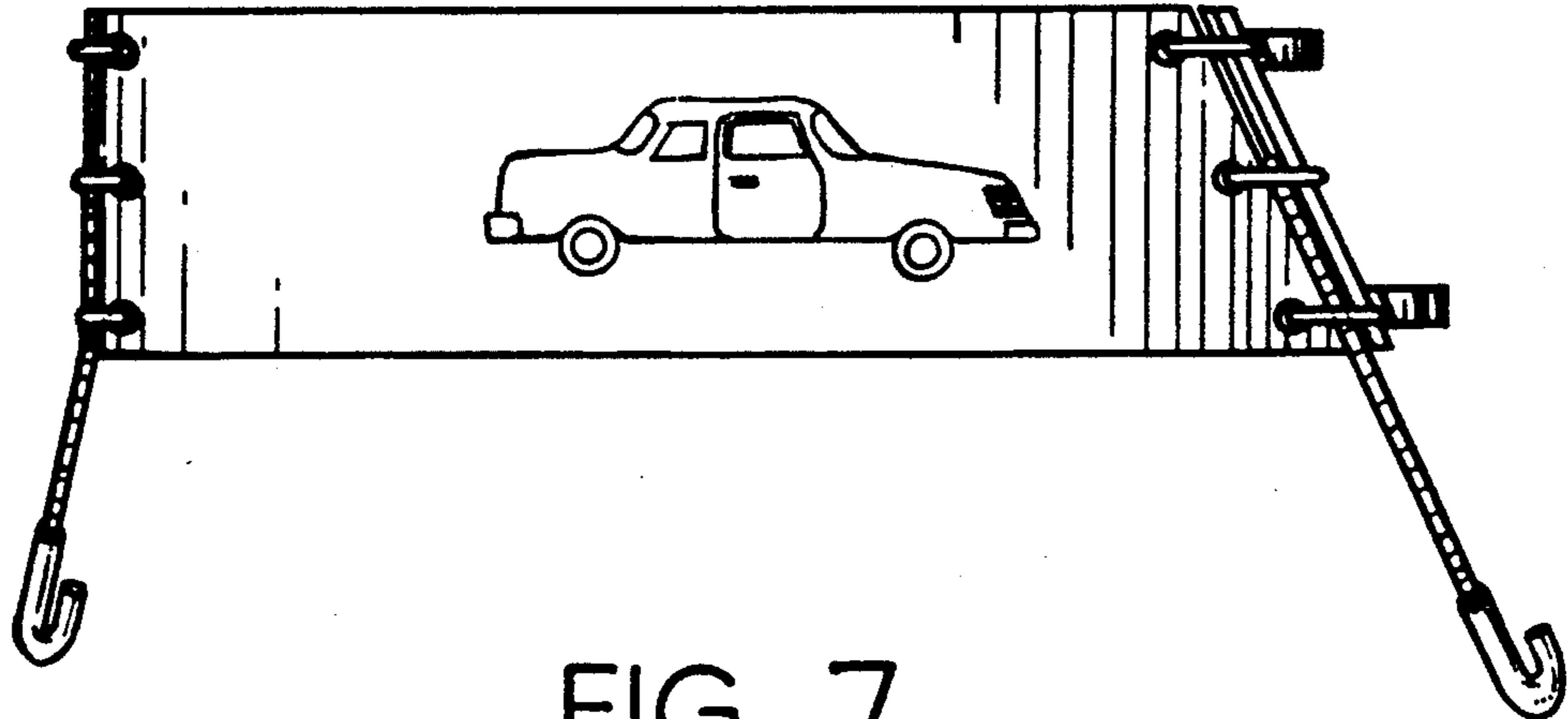


FIG. 7

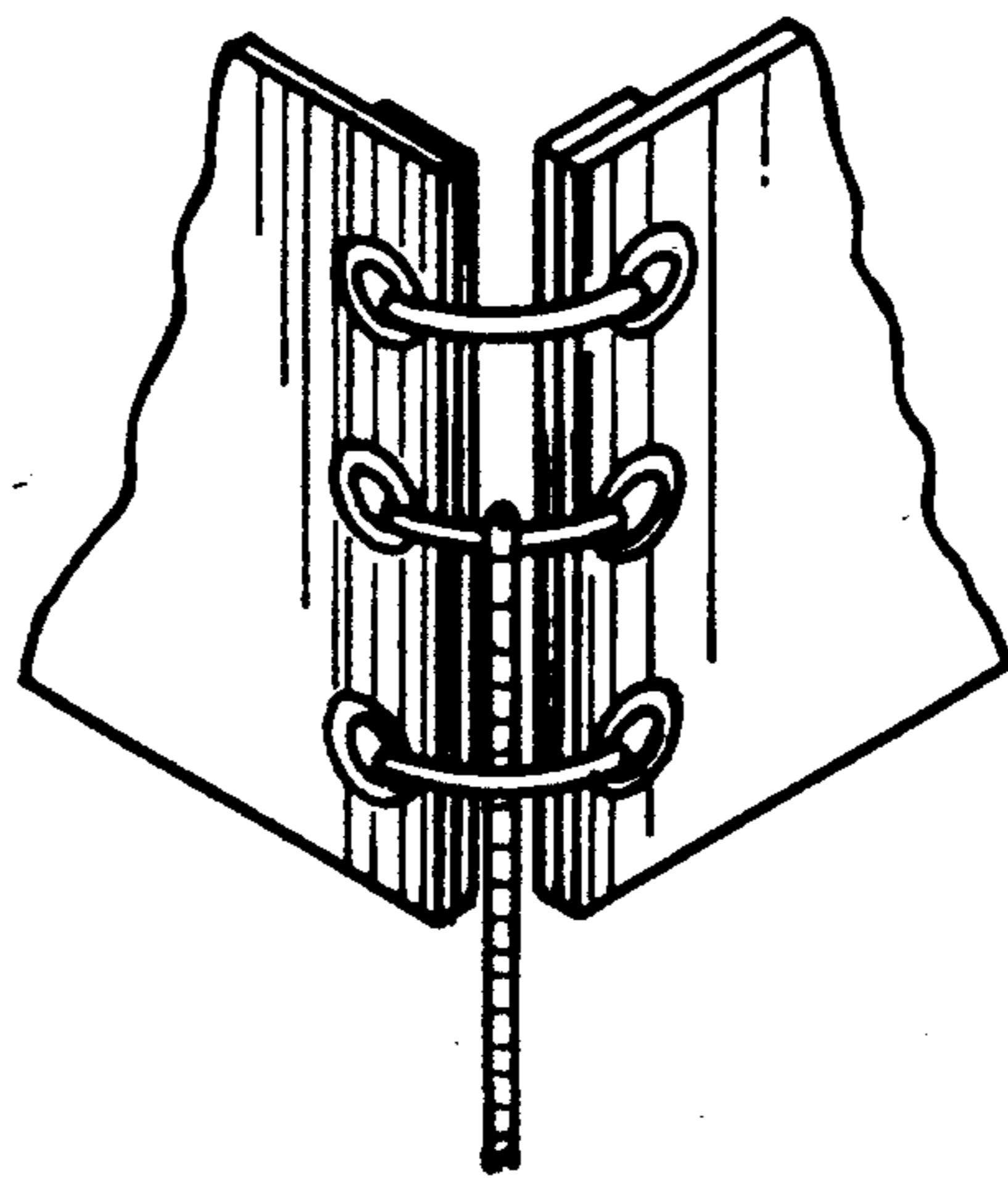


FIG. 8