

[54] SUPPORT POST FOR THE SIDE WALLS OF A TRAILER

Attorney, Agent, or Firm—Reising, Ethington, Barnard, Perry & Milton

[75] Inventor: John G. Krueger, Werribee, Australia

[57] CLAIM

[73] Assignee: Krueger Transport Equipment Pty. Ltd., Victoria, Australia

The ornamental design for a support post for the side walls of a trailer, as shown and described.

[**] Term: 14 Years

DESCRIPTION

[21] Appl. No.: 166,242

FIG. 1 is a front elevation view of a support post for the side walls of a trailer showing my new design;

[22] Filed: Mar. 9, 1988

FIG. 2 is a side elevation view thereof, the opposite side being a mirror image of that shown;

[30] Foreign Application Priority Data

Sep. 9, 1987 [AU] Australia 3272/87

FIG. 3 is an enlarged fragmentary side elevation view of the top portion thereof shown within the circle 3 in FIG. 2;

[52] U.S. Cl. D12/106

[58] Field of Search D12/106; 296/181, 183; 403/102, 113

FIG. 4 is a front elevation view of FIG. 3 within the circle 4 in FIG. 1;

[56] References Cited

U.S. PATENT DOCUMENTS

- 4,302,044 11/1981 Sims 296/183
- 4,700,985 10/1987 Whitehead 296/181
- 4,795,208 1/1989 Whiteman 296/183

FIG. 5 is an enlarged fragmentary front elevation view of the lower portion thereof within the circle 5 in FIG. 1;

FIG. 6 is a left side elevation view of FIG. 5;

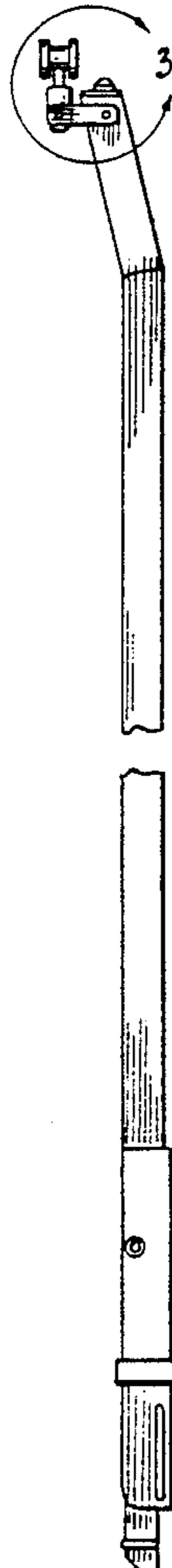
FIG. 7 is an enlarged top plan view of FIG. 2; and

FIG. 8 is a rear elevation view of FIG. 1.

Primary Examiner—James M. Gandy

Assistant Examiner—Melody Brown

The support post has been broken away in the middle in FIGS. 1, 2 and 8 to indicate indeterminate length and in FIGS. 5 and 6 for convenience illustration.



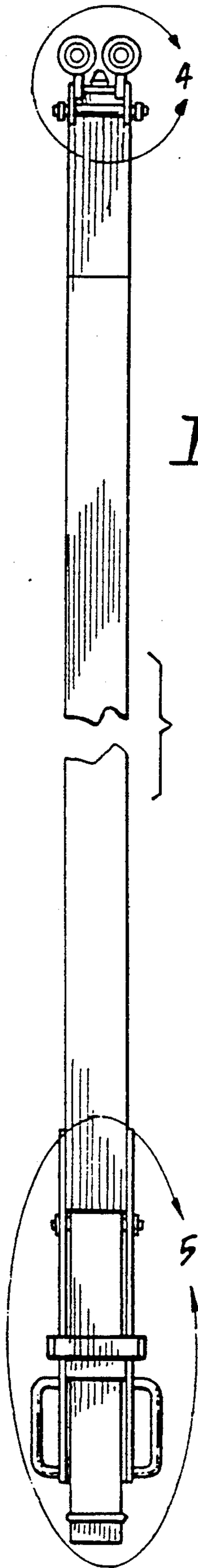


FIG. 1.

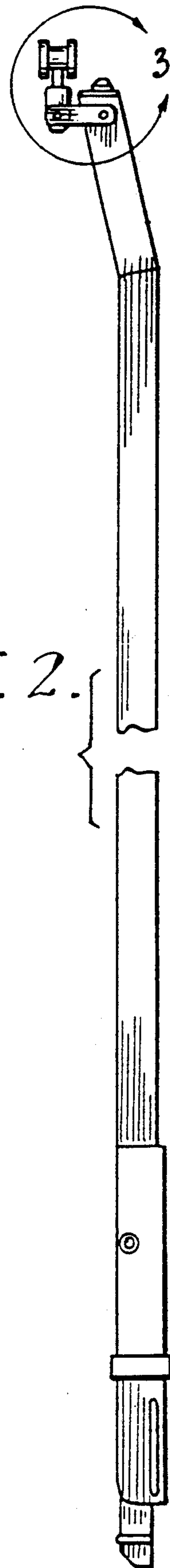


FIG. 2.

FIG. 4.

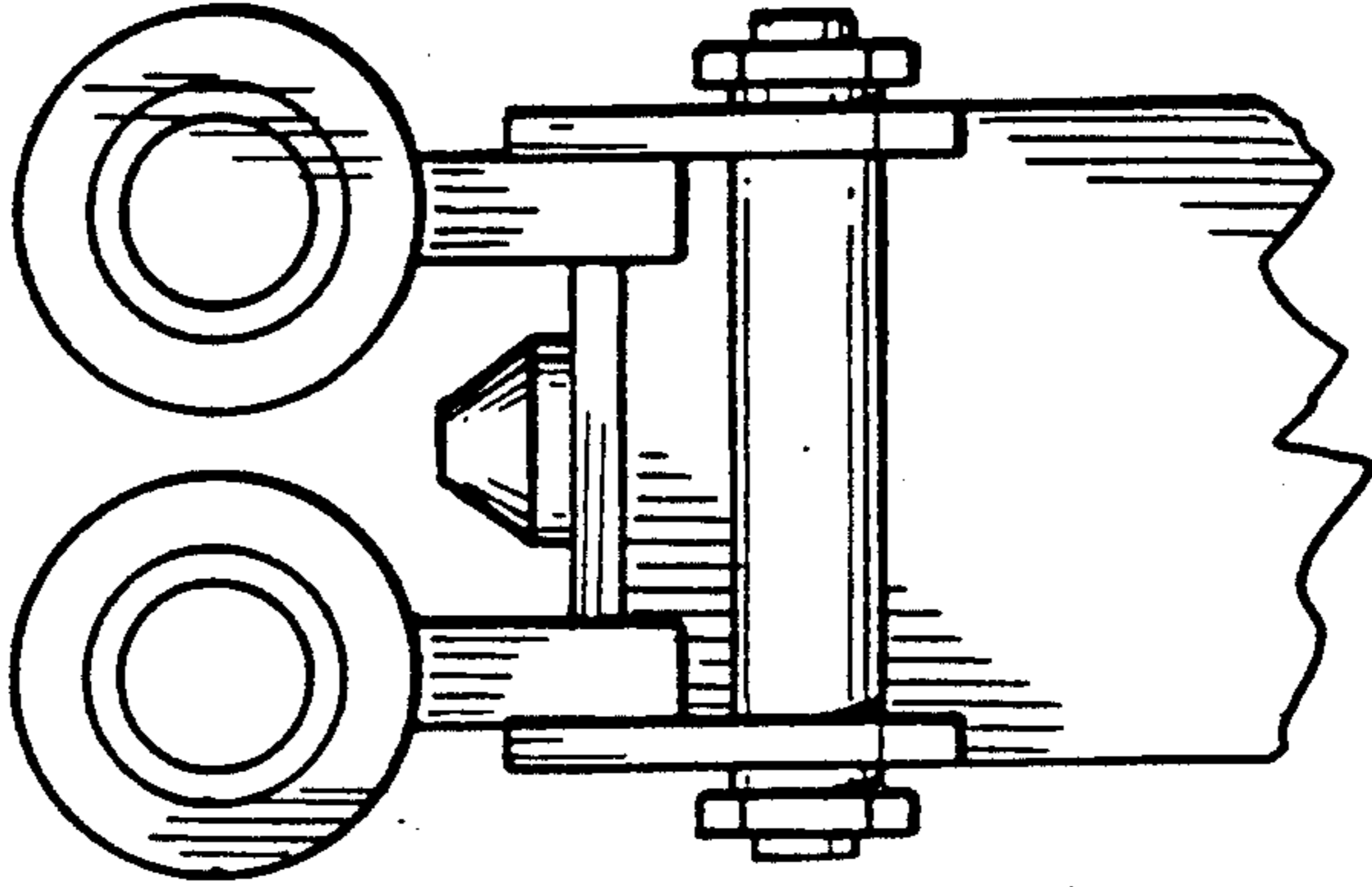
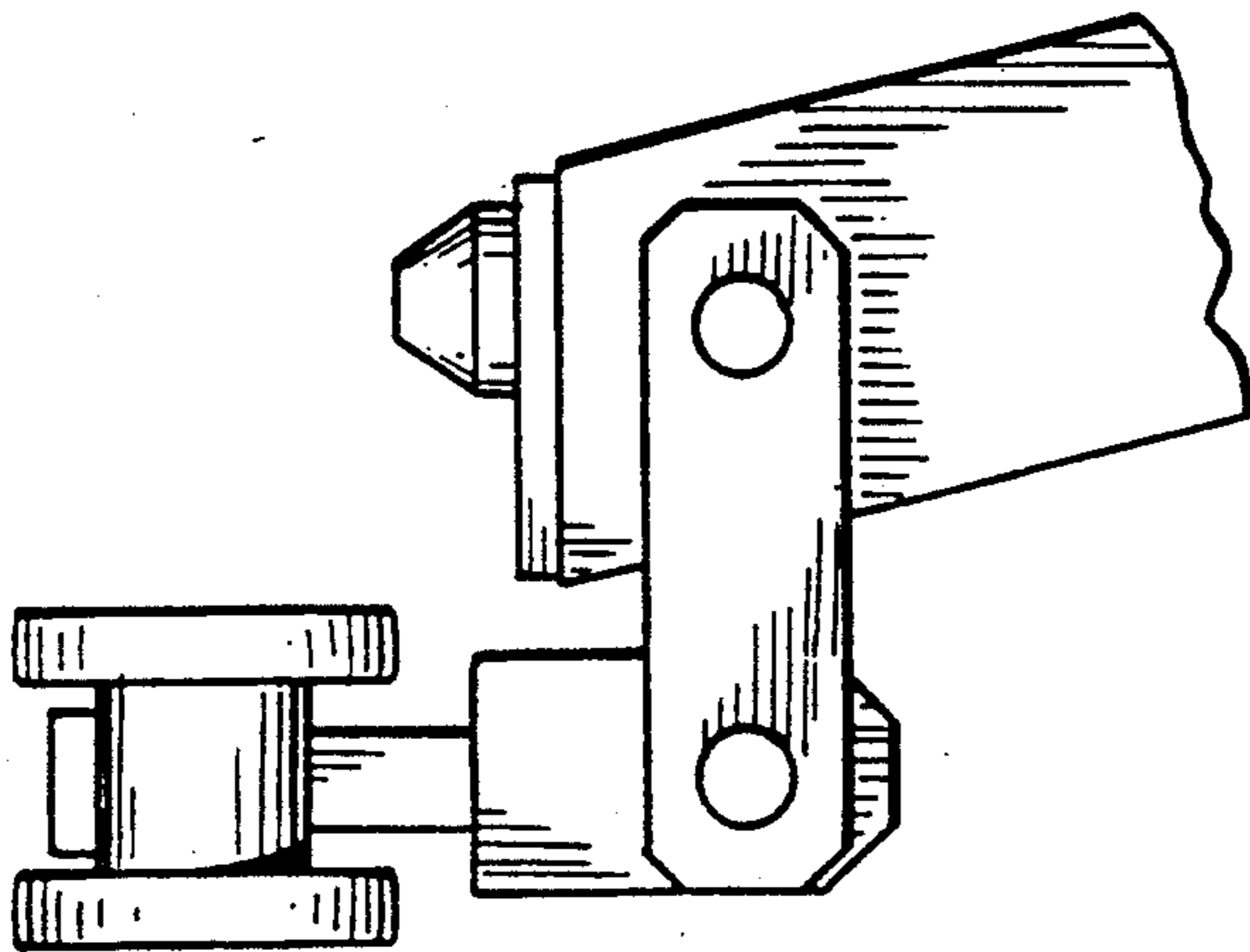


FIG. 3.



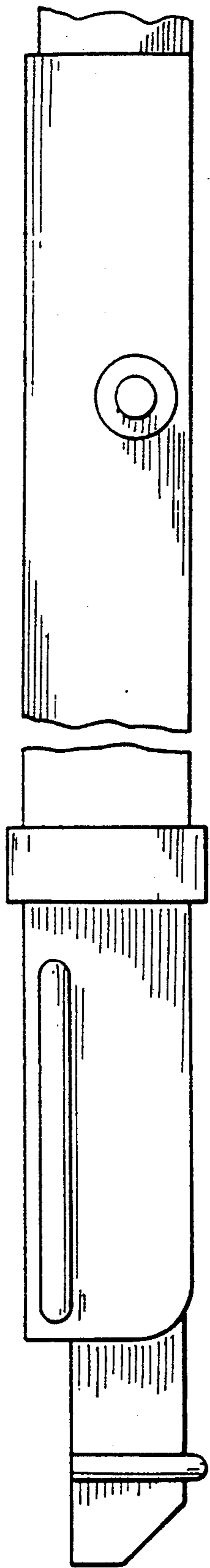


FIG. 6.

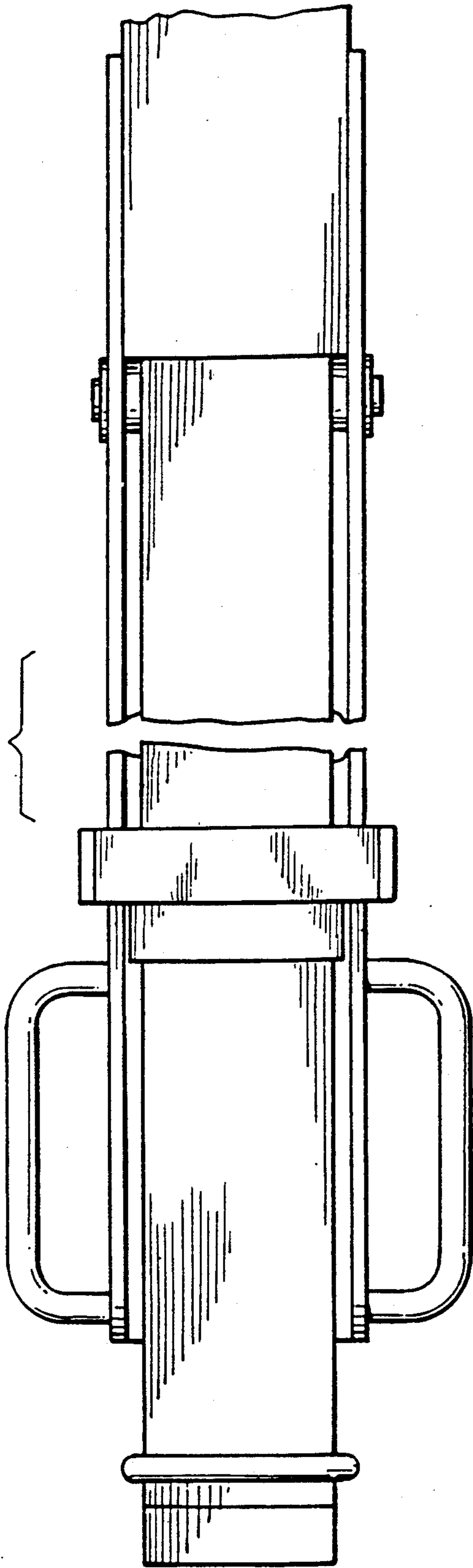


FIG. 5.

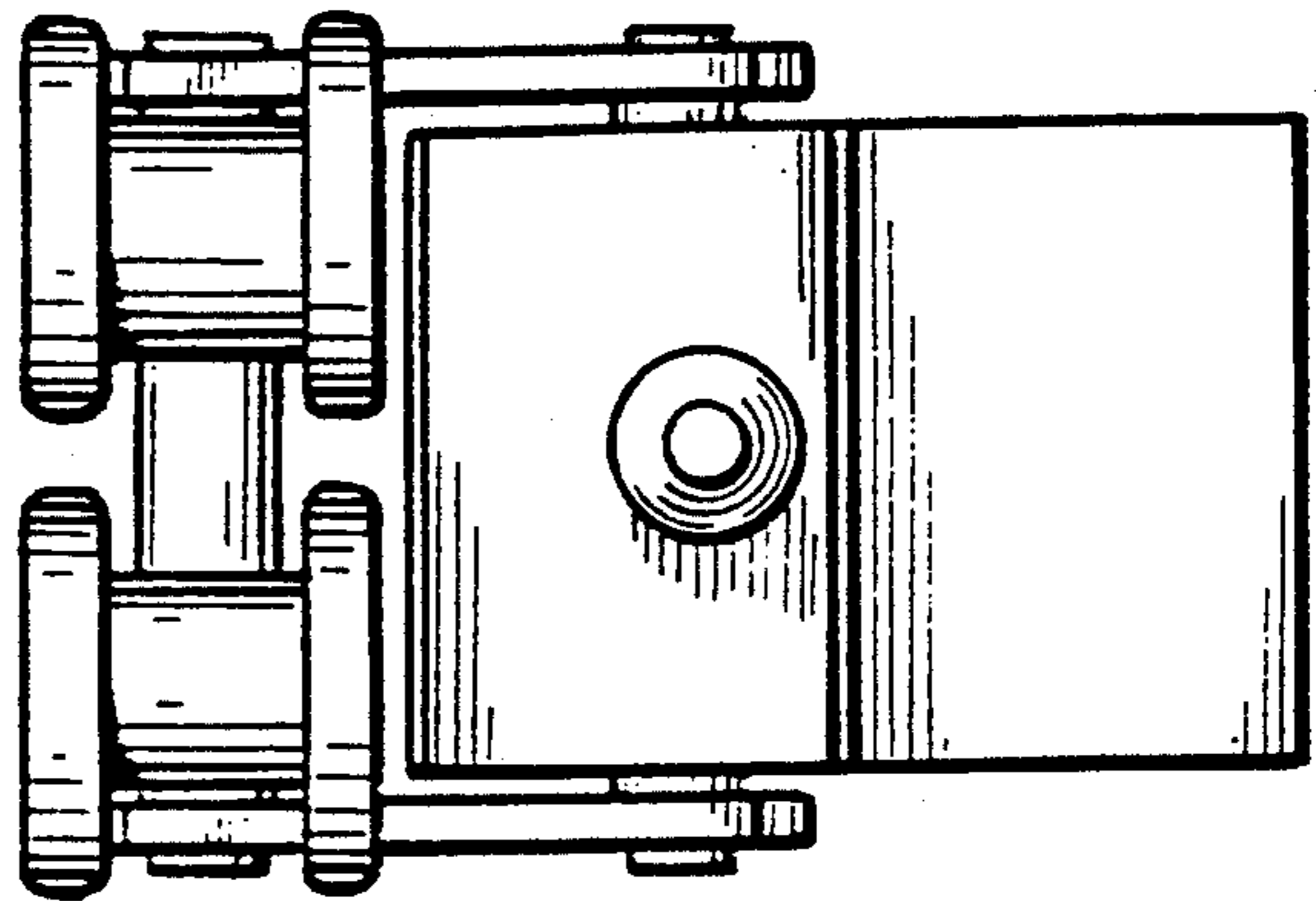
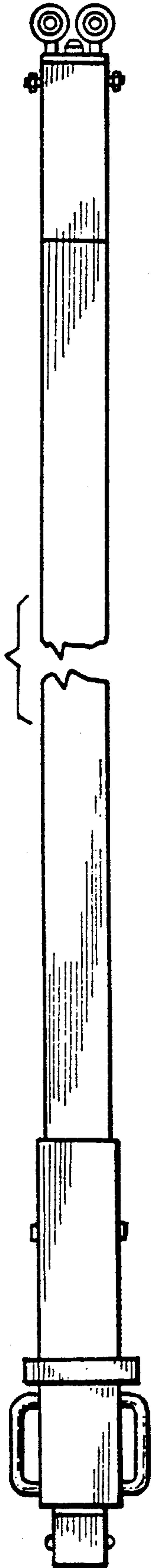


FIG. 7.

FIG. 8.