

[54] ELECTRONIC ARTICLE SURVEILLANCE UNIT

[75] Inventors: Roland W. Rubertus, Hudson, Wis.; Roger K. Westerberg, Cottag Grove; Peter J. Zarembo, Shoreview, both of Minn.; Steven P. Belletire, Wheaton; Gregory J. Foster, Chicago, both of Ill.

[73] Assignee: Minnesota Mining and Manufacturing Company, St. Paul, Minn.

[**] Term: 14 Years

[21] Appl. No.: 418,204

[22] Filed: Oct. 6, 1989

[52] U.S. Cl. D10/106

[58] Field of Search D10/104, 106, 116, 121; 340/568, 571, 572, 574, 578, 540, 541, 542, 546, 547, 549, 550

[56] References Cited

U.S. PATENT DOCUMENTS

- D. 291,976 9/1987 Alward et al. D10/121
- D. 294,234 2/1988 Zamond D10/106
- D. 297,221 8/1988 Podhrasky D10/106
- D. 307,400 4/1990 Armstrong et al. D10/106

- 4,384,281 5/1983 Cooper 340/572
- 4,795,995 1/1989 Ecclestan et al. 340/572
- 4,845,509 7/1989 Asbrink 340/572
- 4,972,198 11/1990 Feltz et al. 340/572

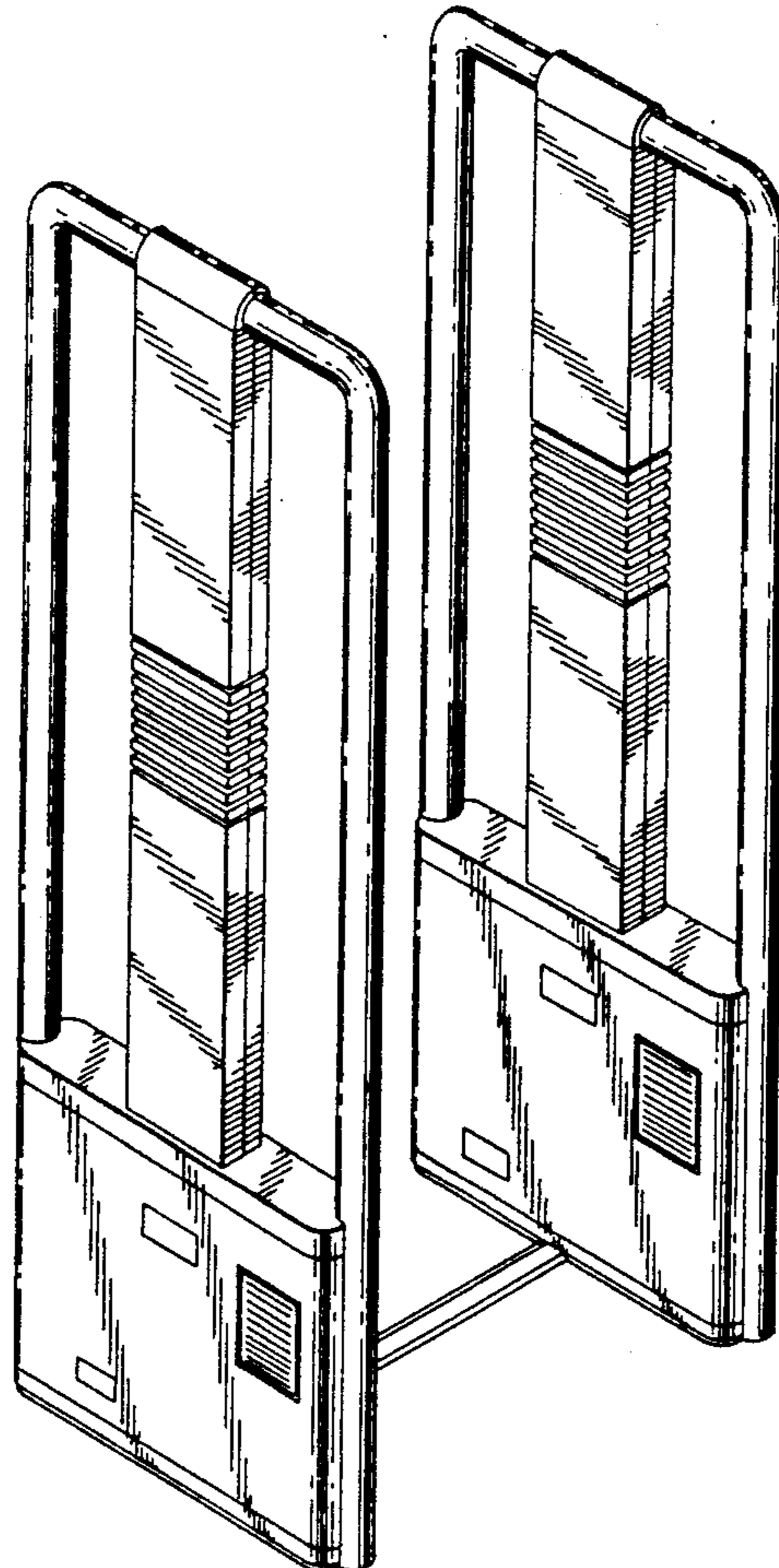
Primary Examiner—Wallace R. Burke
Assistant Examiner—Marcus Jackson
Attorney, Agent, or Firm—Donald M. Sell; Walter N. Kirn; William B. Barte

[57] CLAIM

The ornamental design for an electronic article surveillance unit, as shown and described.

DESCRIPTION

FIG. 1 is a perspective view of an electronic article surveillance unit showing our new design;
 FIG. 2 is a left side elevational view thereof, with the opposite side being a mirror image;
 FIG. 3 is a front elevational view thereof, with the rear being a mirror image.
 FIG. 4 is a top plan view thereof;
 FIG. 5 is a front elevational view of a second embodiment thereof, with the rear being a mirror image;
 FIG. 6 is a top plan view thereof;
 FIG. 7 is an enlarged side view of a portion of the lattice; and
 FIG. 8 is a cross-sectional view of the portion shown in FIG. 7 taken along the lines 8—8.



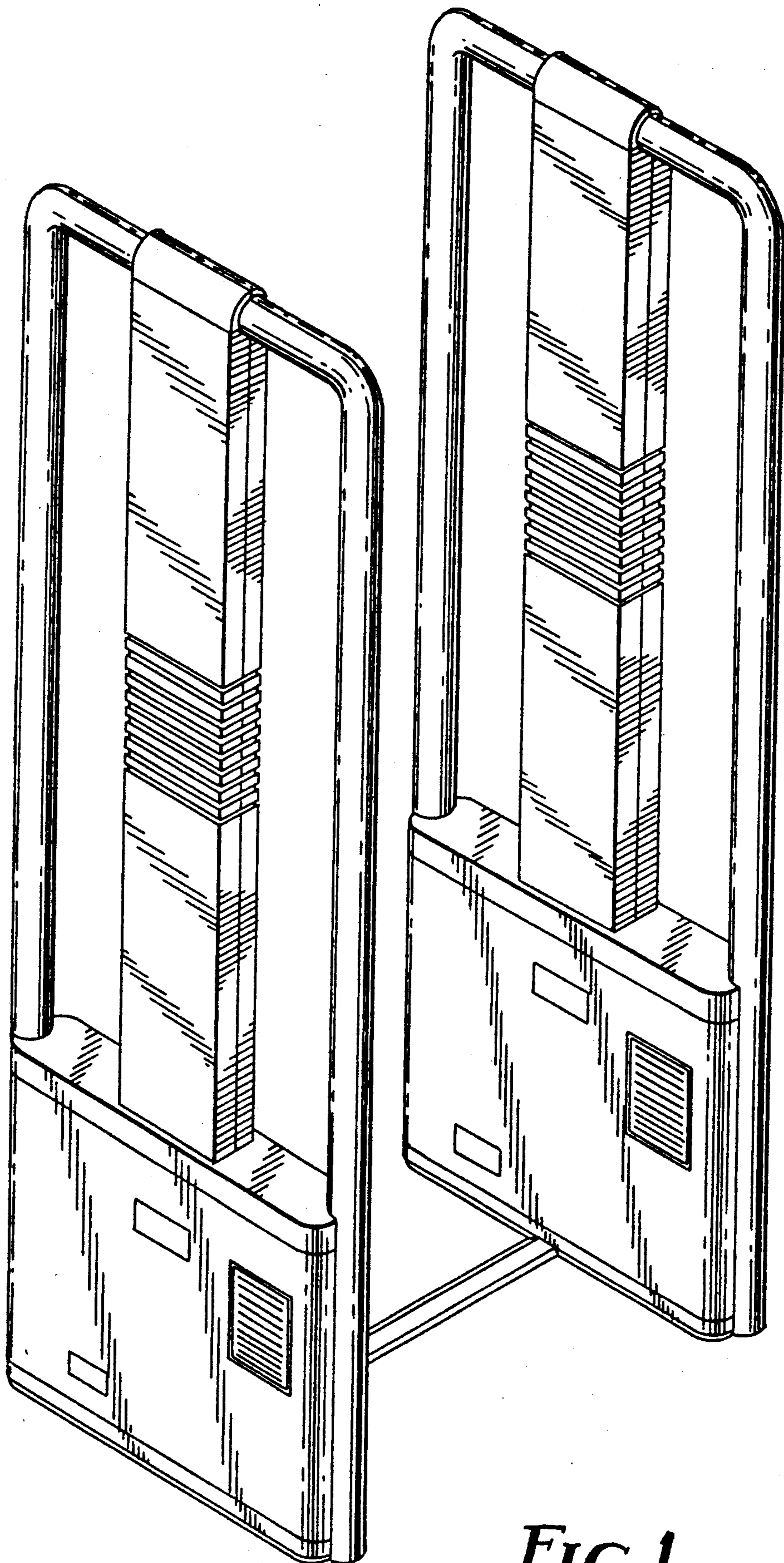


FIG. 1

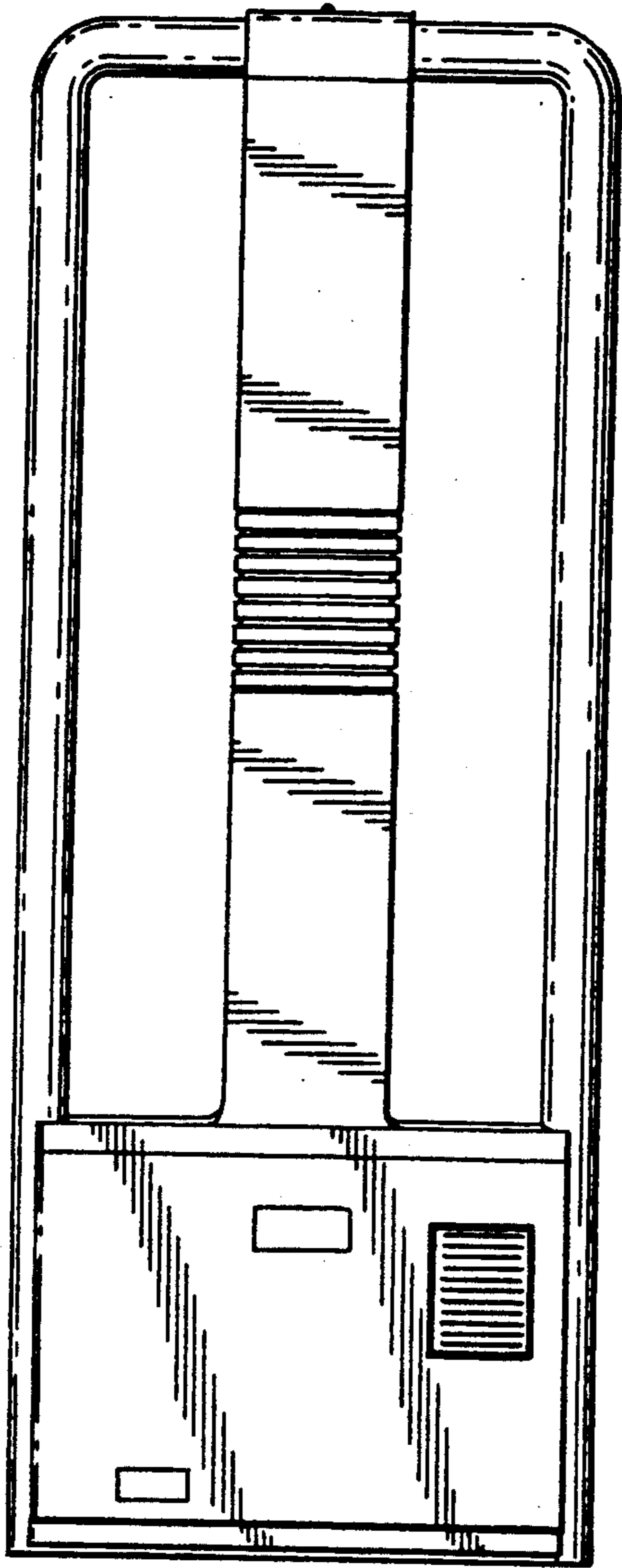


FIG. 2

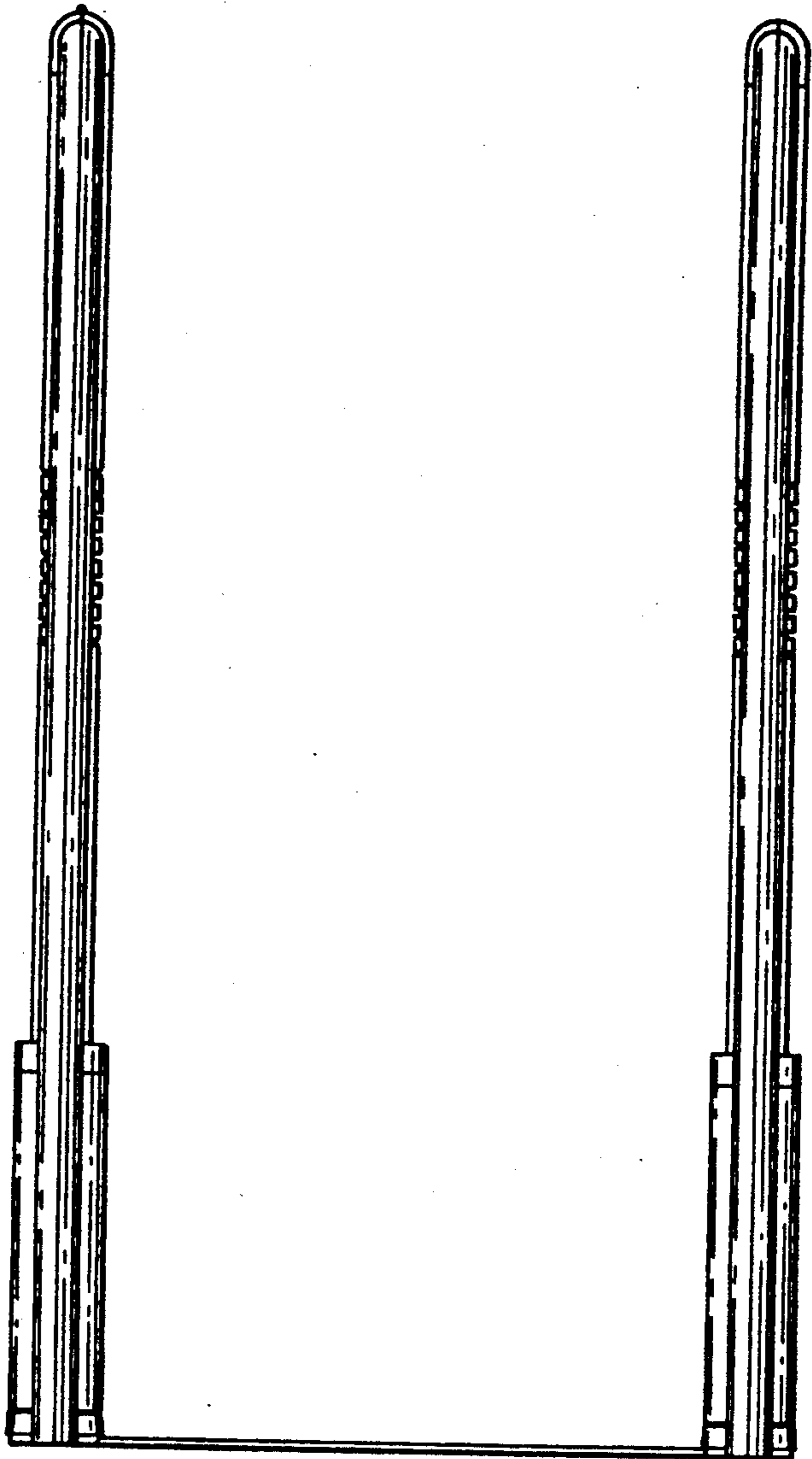


FIG. 3

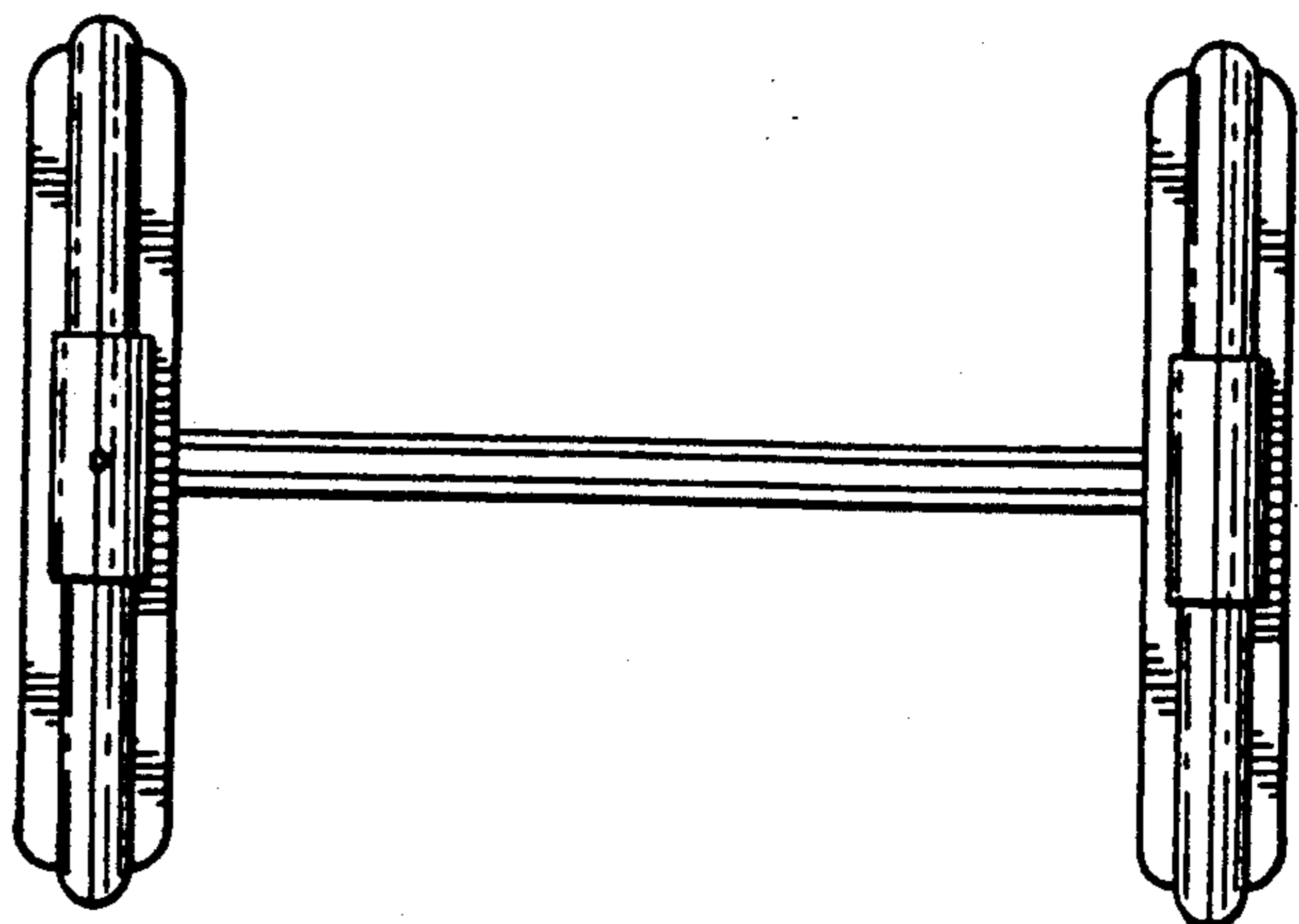


FIG. 4

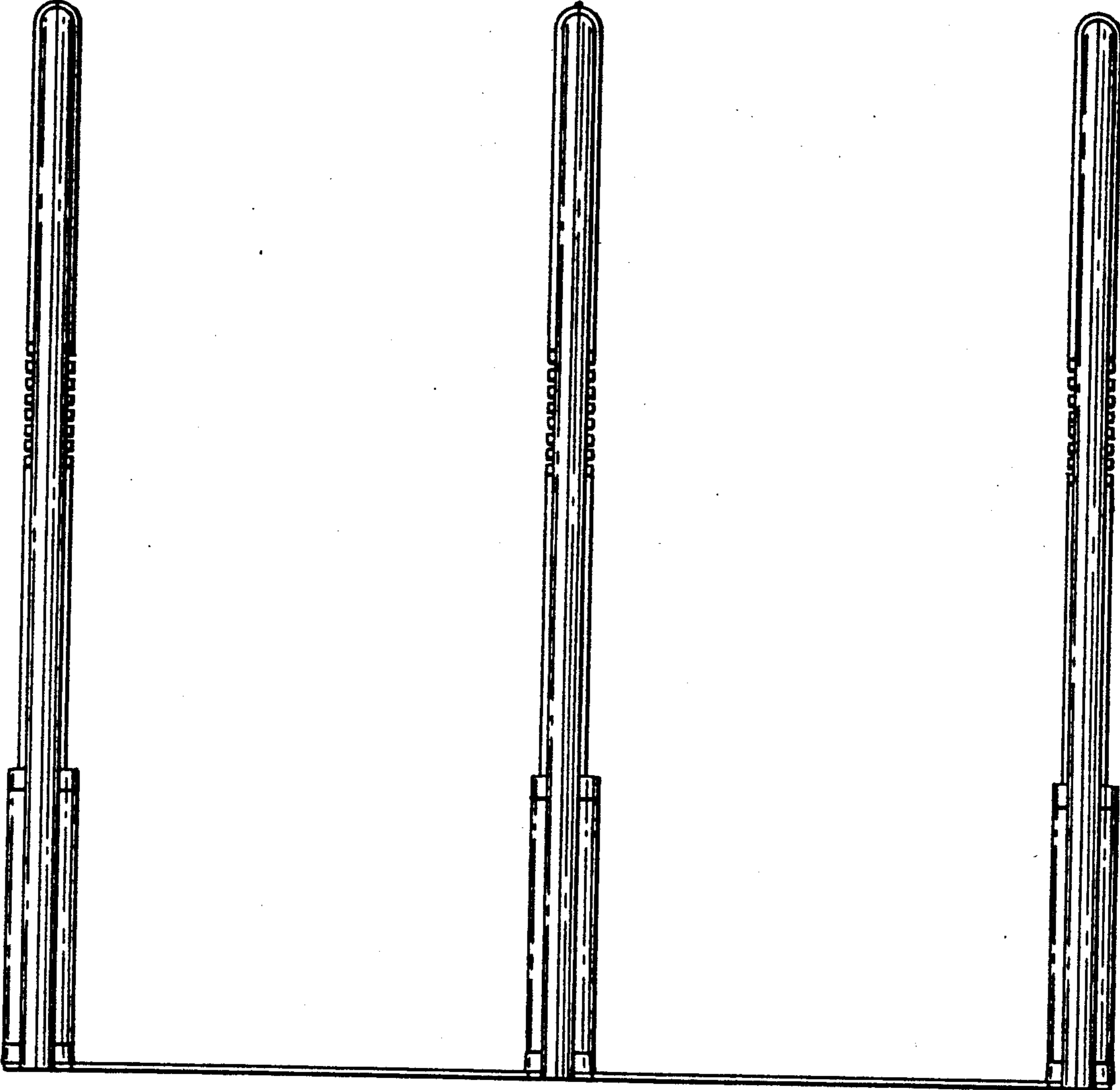


FIG. 5

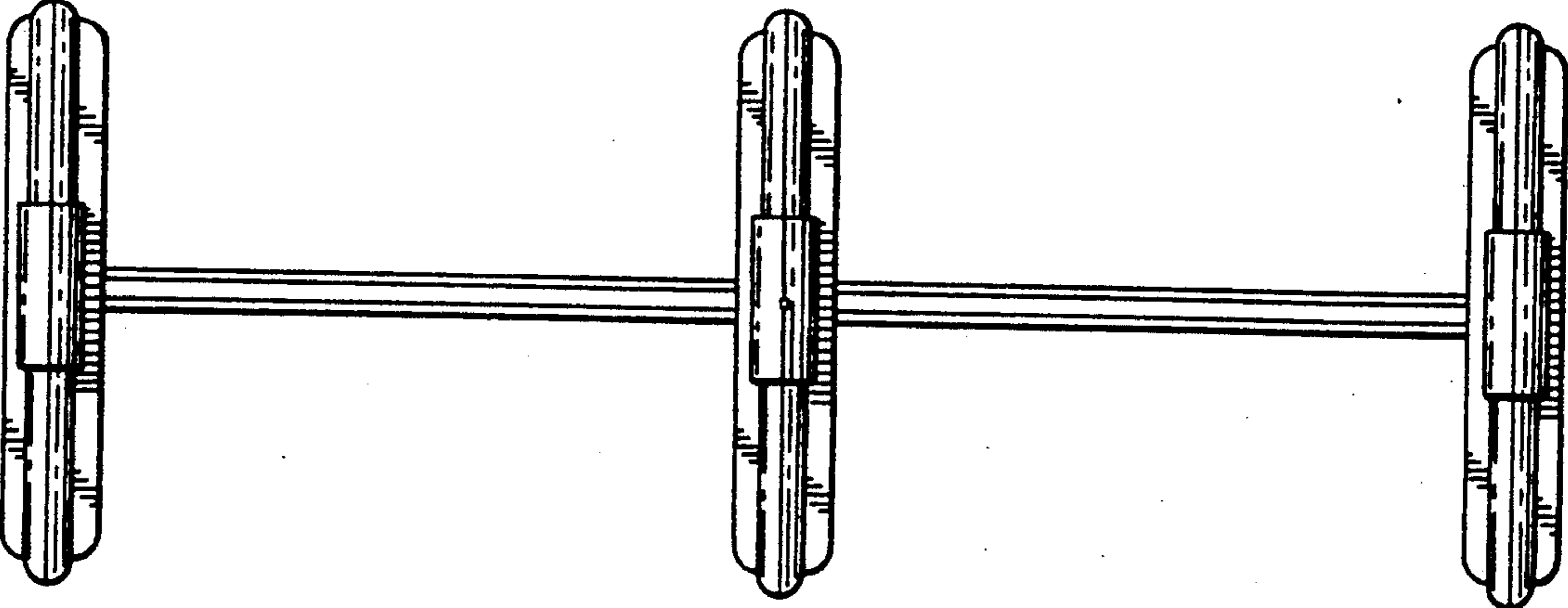


FIG. 6

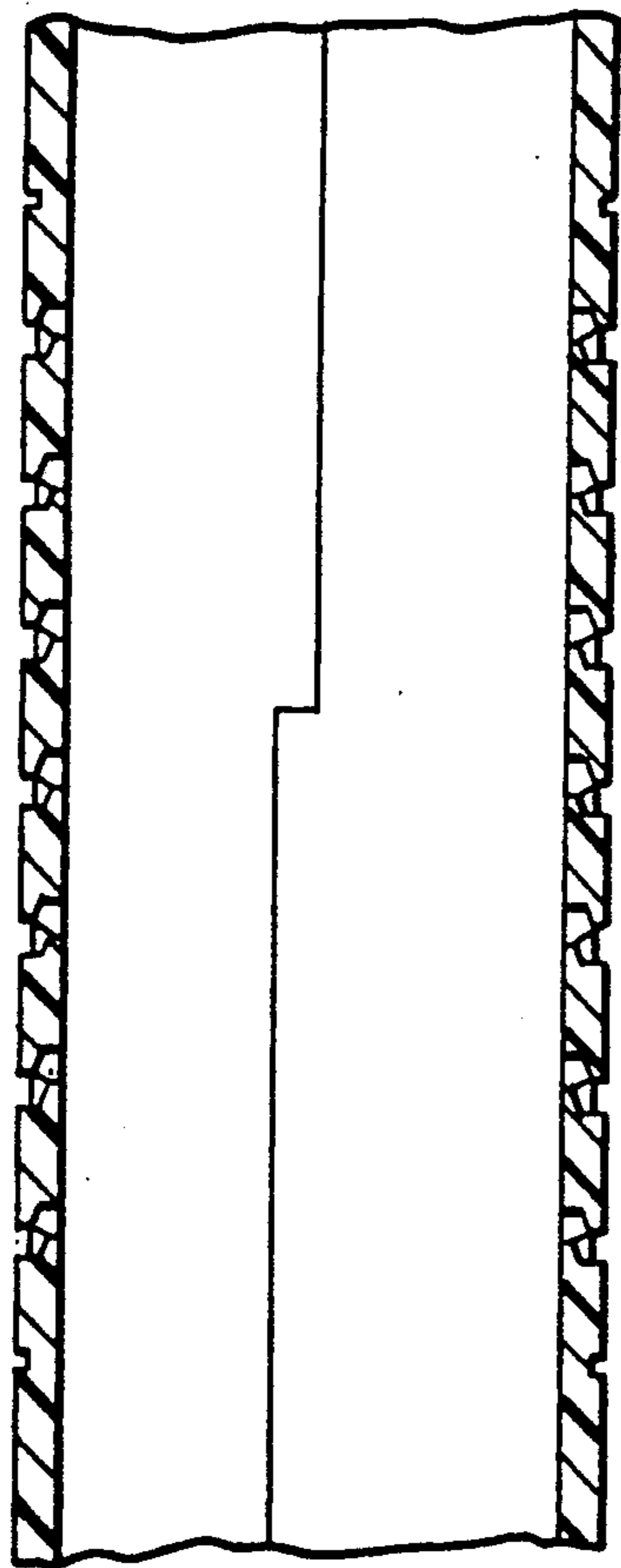


FIG. 8

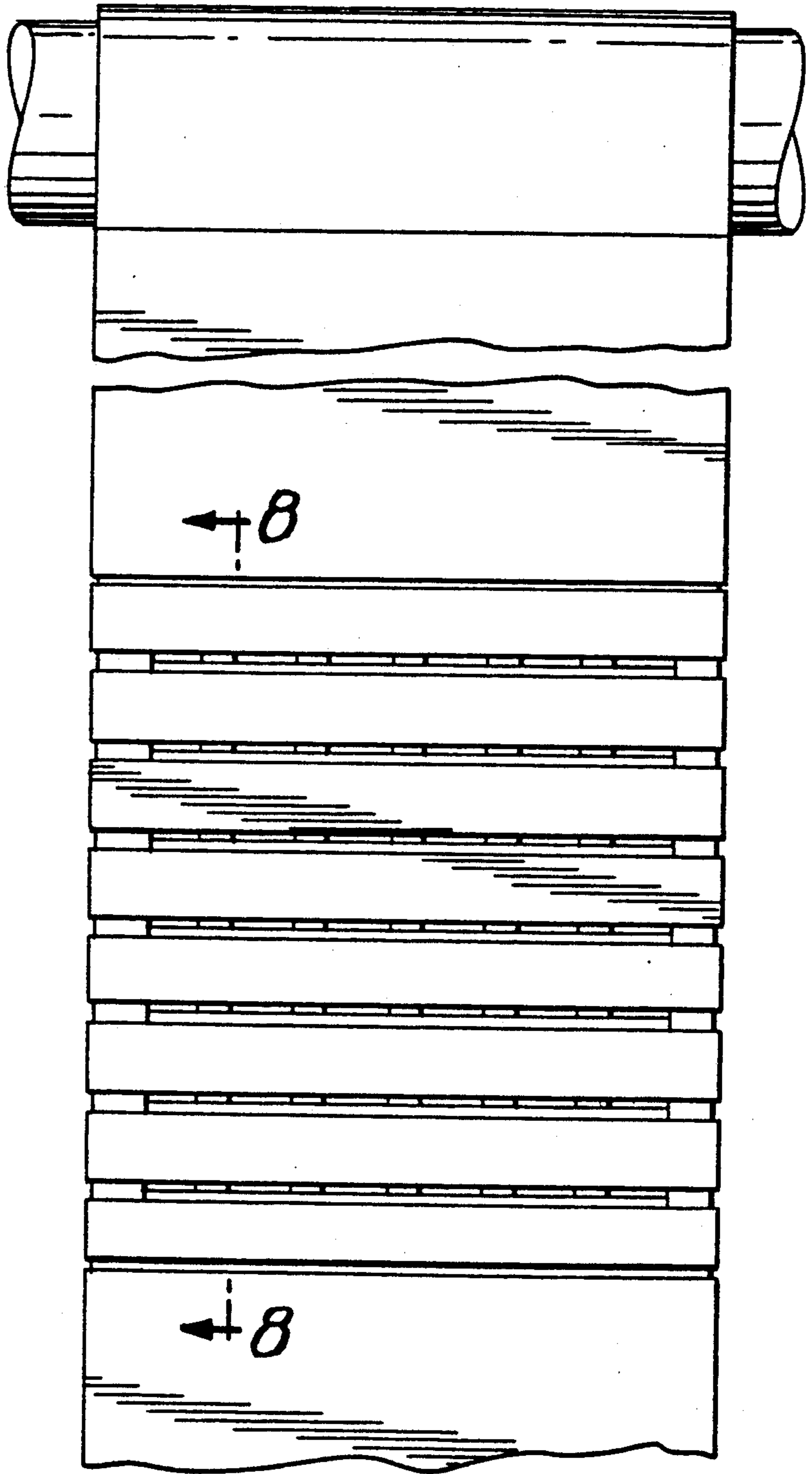


FIG. 7