

[54] TEMPERATURE TRANSMITTER HOUSING

[75] Inventor: Donald W. Selg, Mendota Heights, Minn.

[73] Assignee: Rosemount Inc., Eden Prairie, Minn.

[**] Term: 14 Years

[21] Appl. No.: 310,702

[22] Filed: Feb. 13, 1989

[52] U.S. Cl. D10/52; D10/85; D10/46

[58] Field of Search D10/56, 57, 52, 46, D10/85; 73/702, 704, 756; 136/230, 232, 233, 239, 202; 137/82, 85, 86; 277/28; 174/152 R; 374/54, 138, 186, 208; D23/233, 235

[56] References Cited

U.S. PATENT DOCUMENTS

D. 287,827	1/1987	Broden	D10/46
D. 296,995	8/1988	Lee	D10/46
D. 297,314	8/1988	Hedtke	D10/46
D. 297,315	8/1988	Pierce et al.	D10/85
1,615,451	1/1927	Harrison	374/208 X
1,675,210	6/1928	Campbell et al.	374/208 X
2,992,402	7/1961	Thomas	136/230 X
4,162,929	7/1979	Finney	136/232 X
4,165,651	8/1979	Olsen et al.	73/704
4,376,227	3/1983	Hilborn	136/232 X

4,385,197	5/1983	Schwagerman	136/230 X
4,410,756	10/1983	Schwagerman	374/208 X
4,525,081	6/1985	Myhre	374/208
4,665,938	5/1987	Brown et al.	137/85
4,670,625	6/1987	Wood et al.	174/152 R X
4,830,515	5/1989	Cortes	374/288
4,848,927	7/1989	Daily et al.	374/288

OTHER PUBLICATIONS

The Rosemount 1151 Pressure Transmitter, Rosemount Inc., 1983.

Primary Examiner—Nelson C. Holtje

Assistant Examiner—Antoine D. Davis

Attorney, Agent, or Firm—Kinney & Lange

[57] CLAIM

The ornamental design for a temperature transmitter housing, as shown and described.

DESCRIPTION

FIG. 1 is a top, front and right side perspective view of a temperature transmitter housing showing my new design;

FIG. 2 is a right side elevational view;

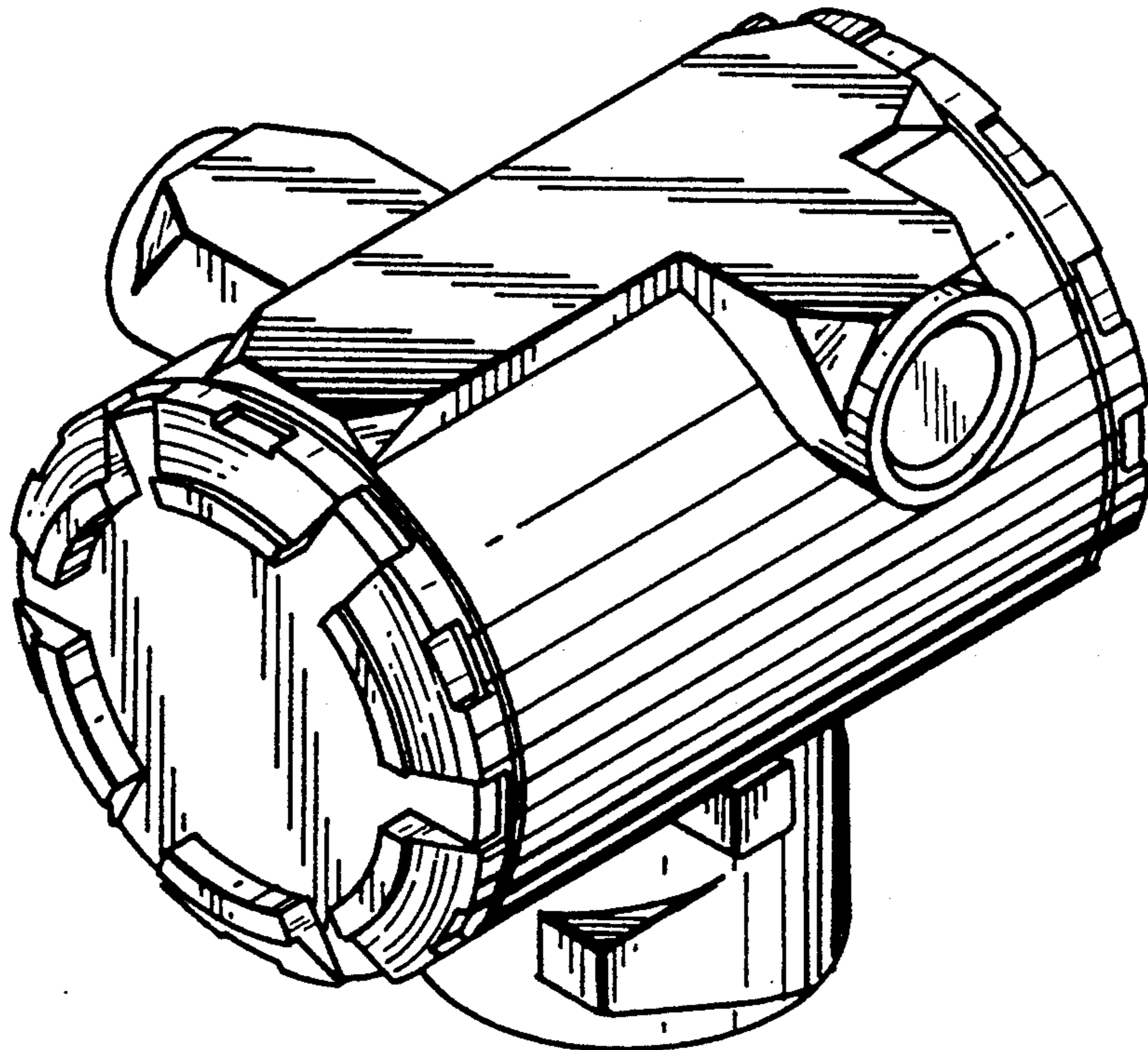
FIG. 3 is a front elevational view;

FIG. 4 is a rear elevational view;

FIG. 5 is a top plan view;

FIG. 6 is a bottom plan view; and

FIG. 7 is a left side elevational view thereof.



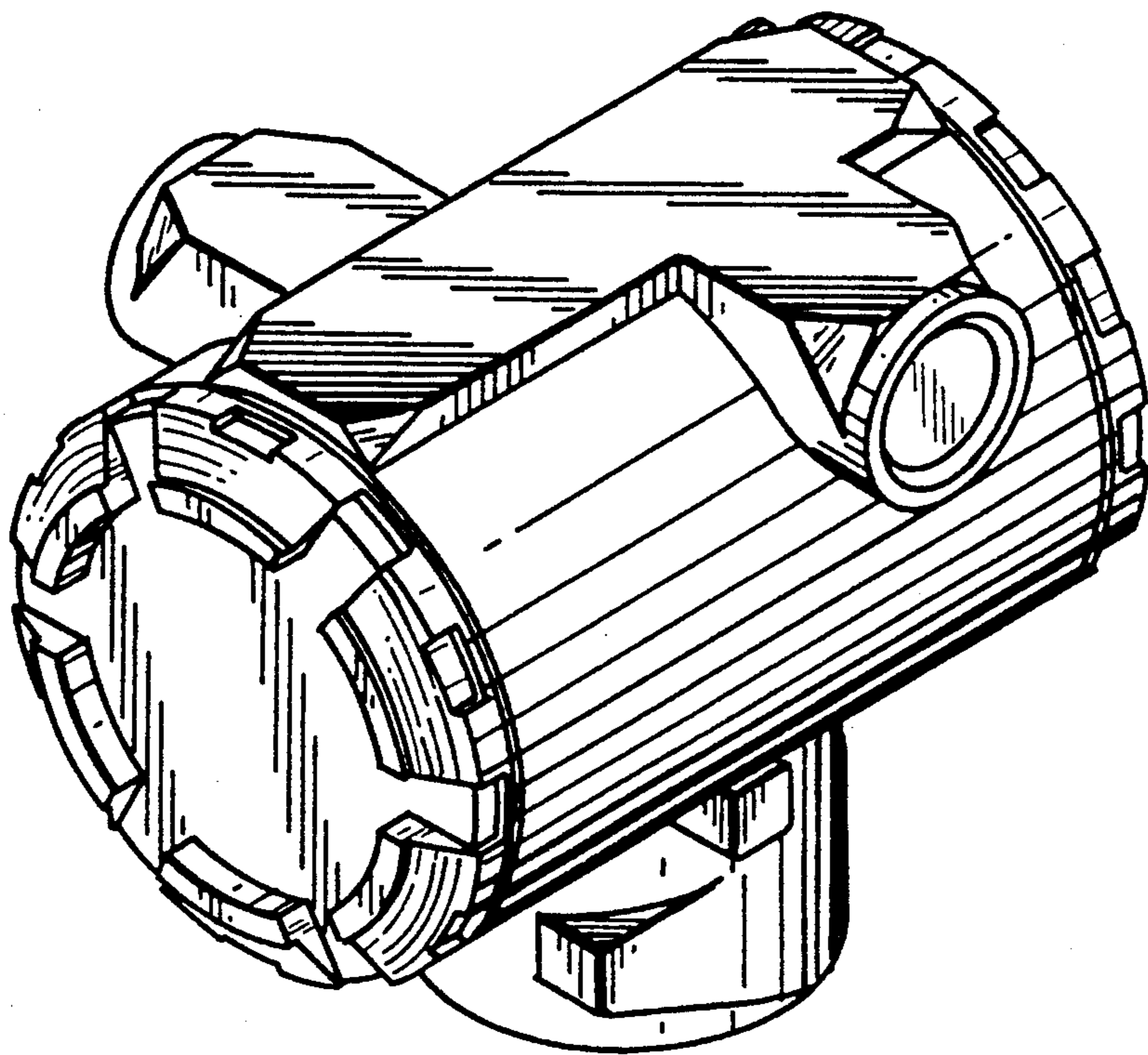


Fig. 1

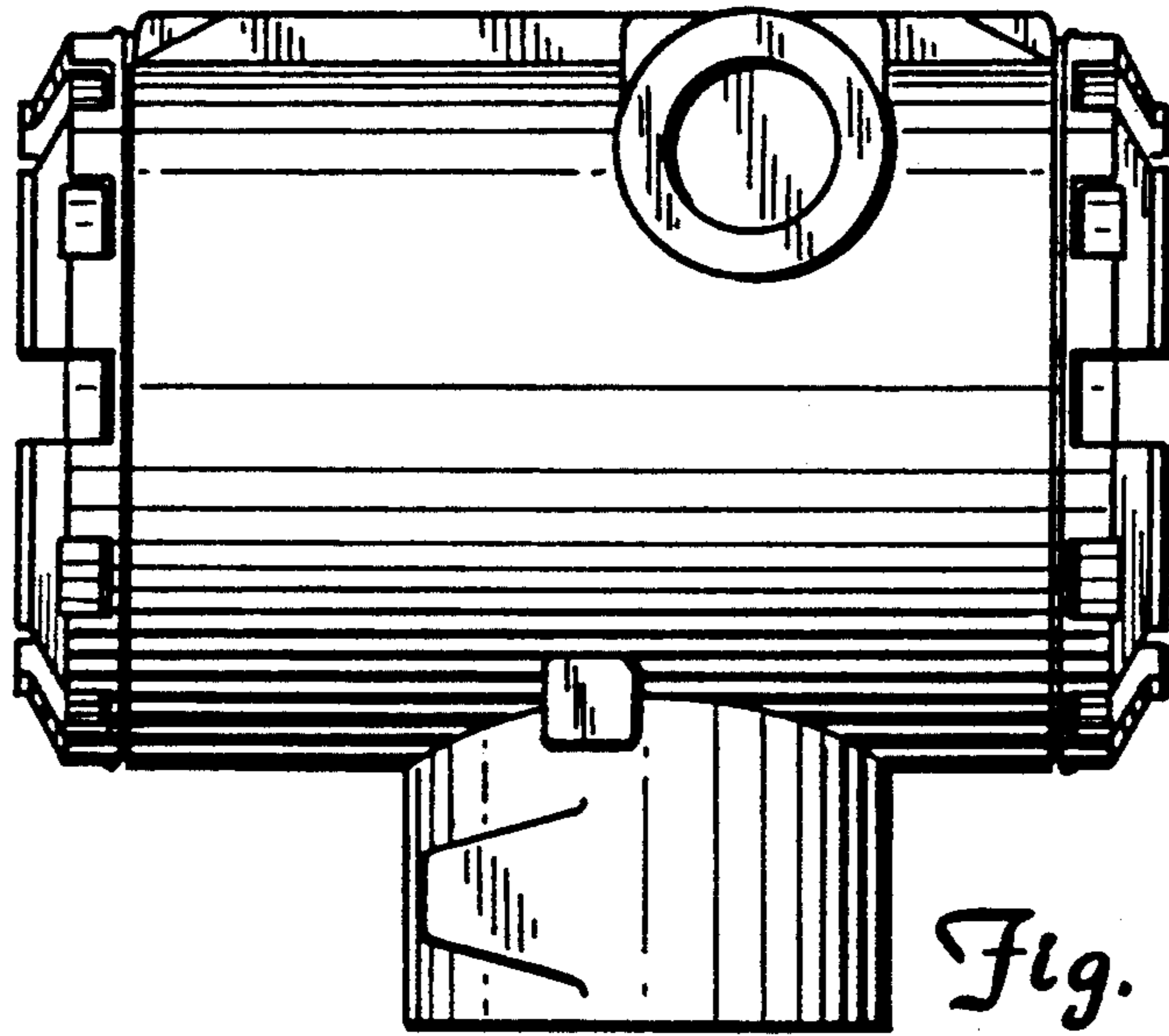


Fig. 2

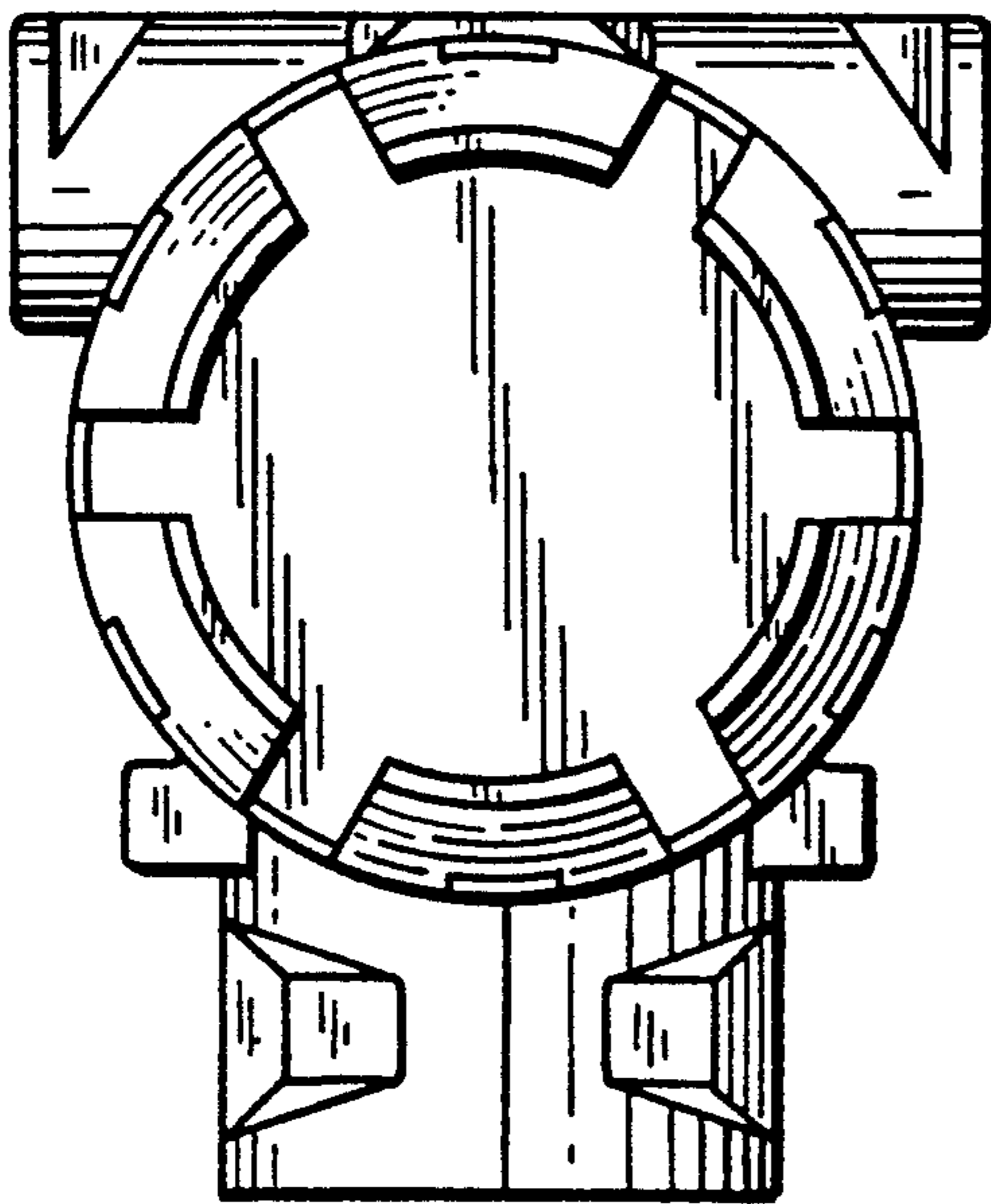


Fig. 3

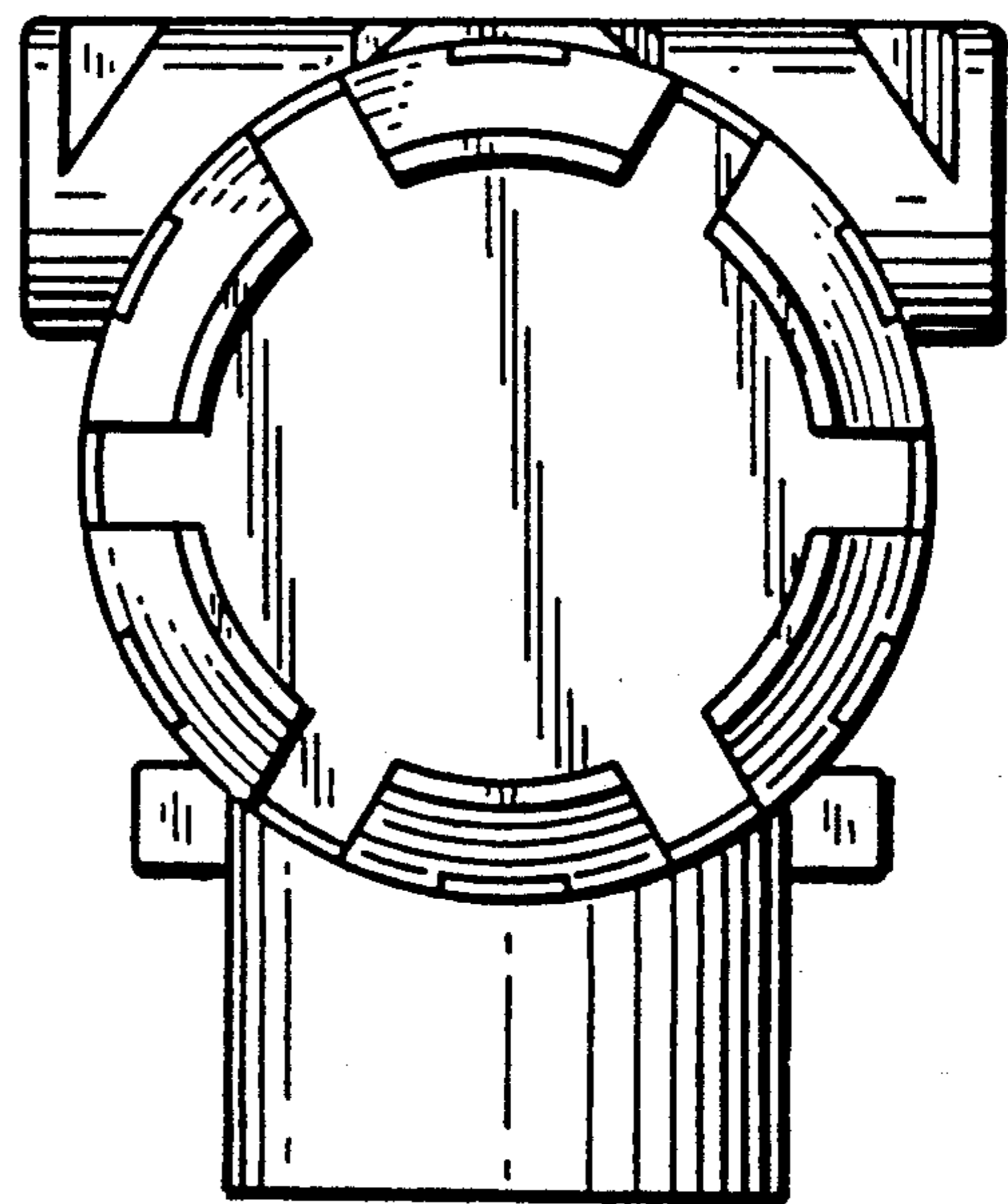


Fig. 4

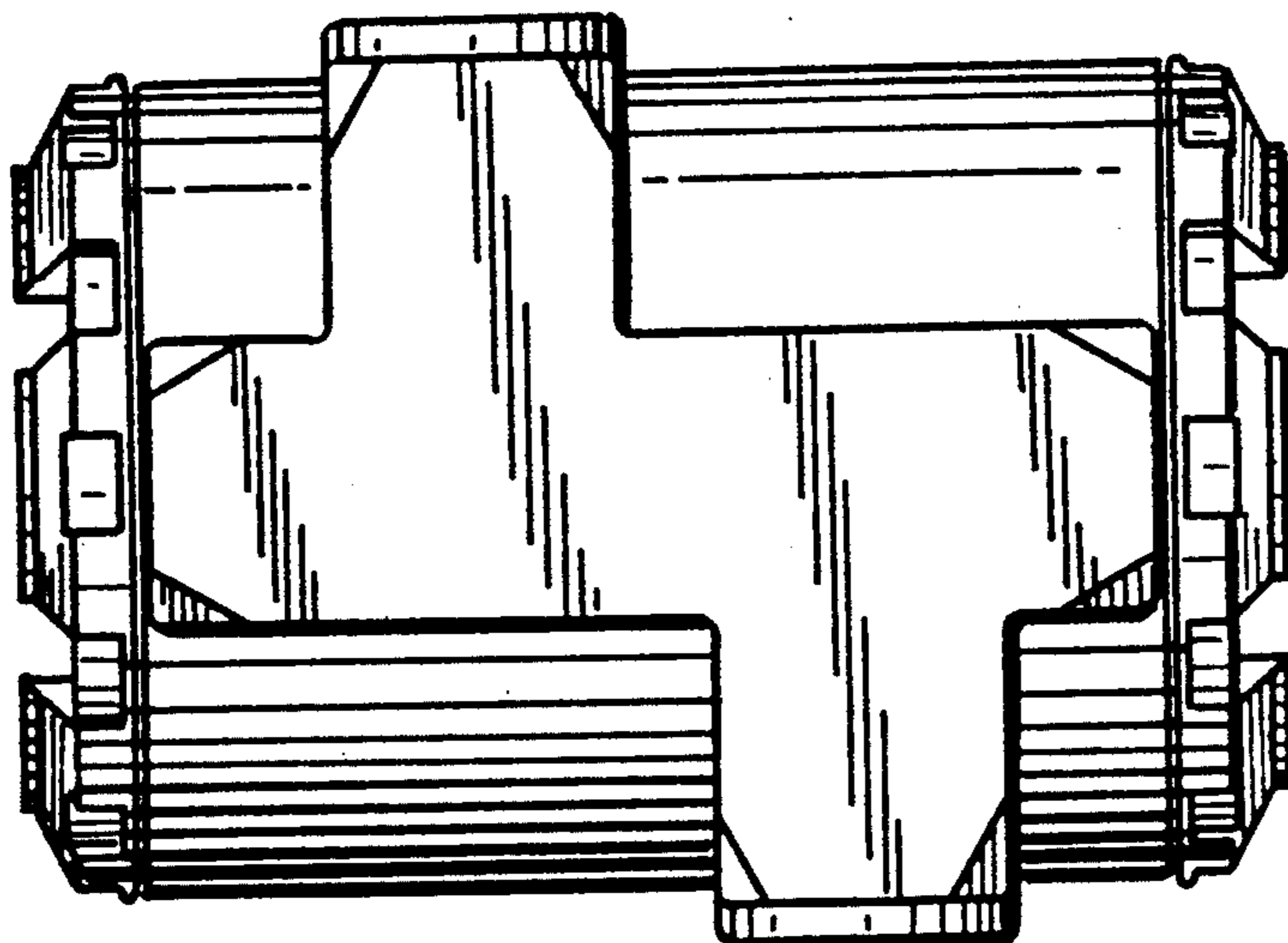


Fig. 5

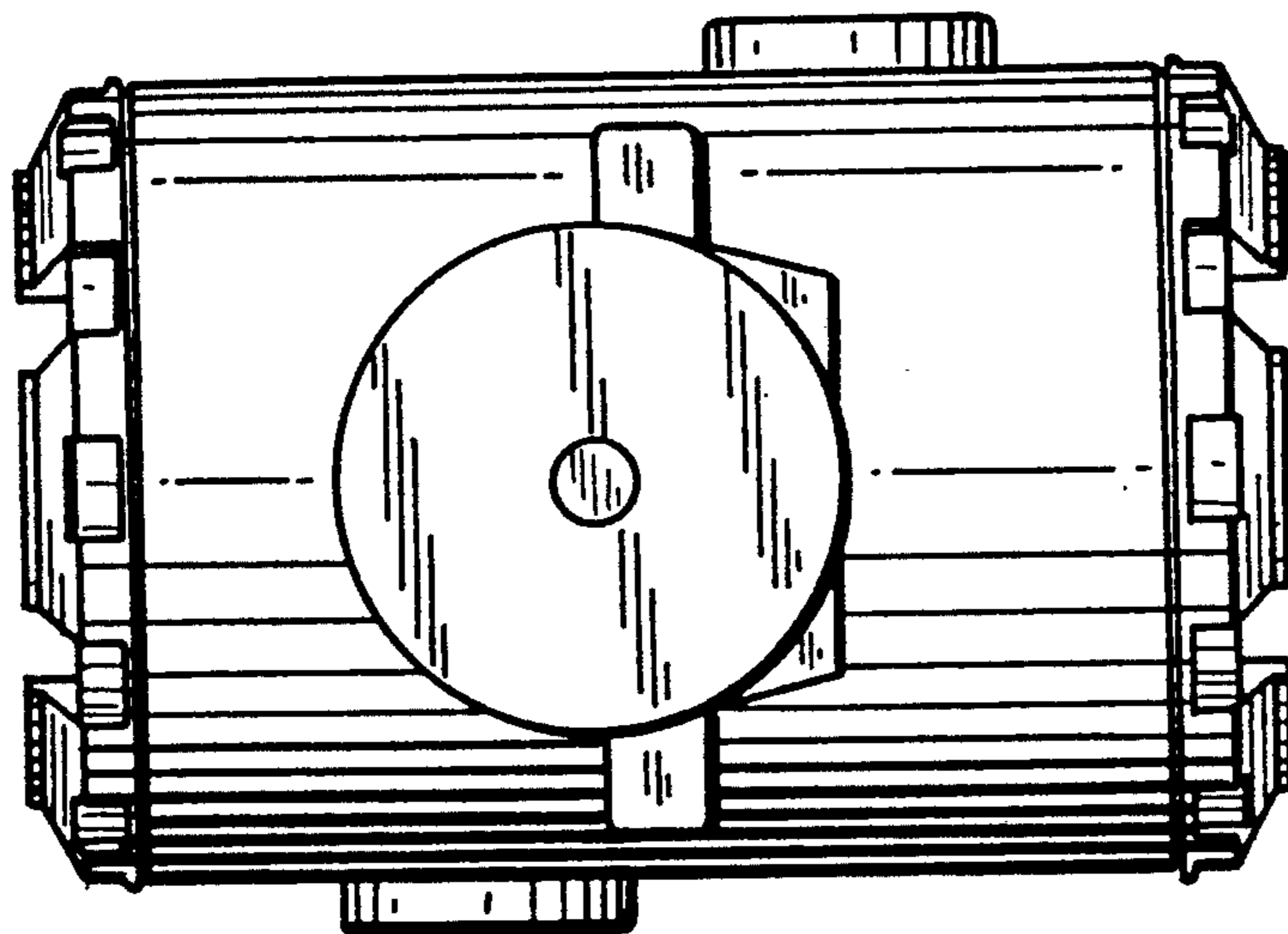


Fig. 6

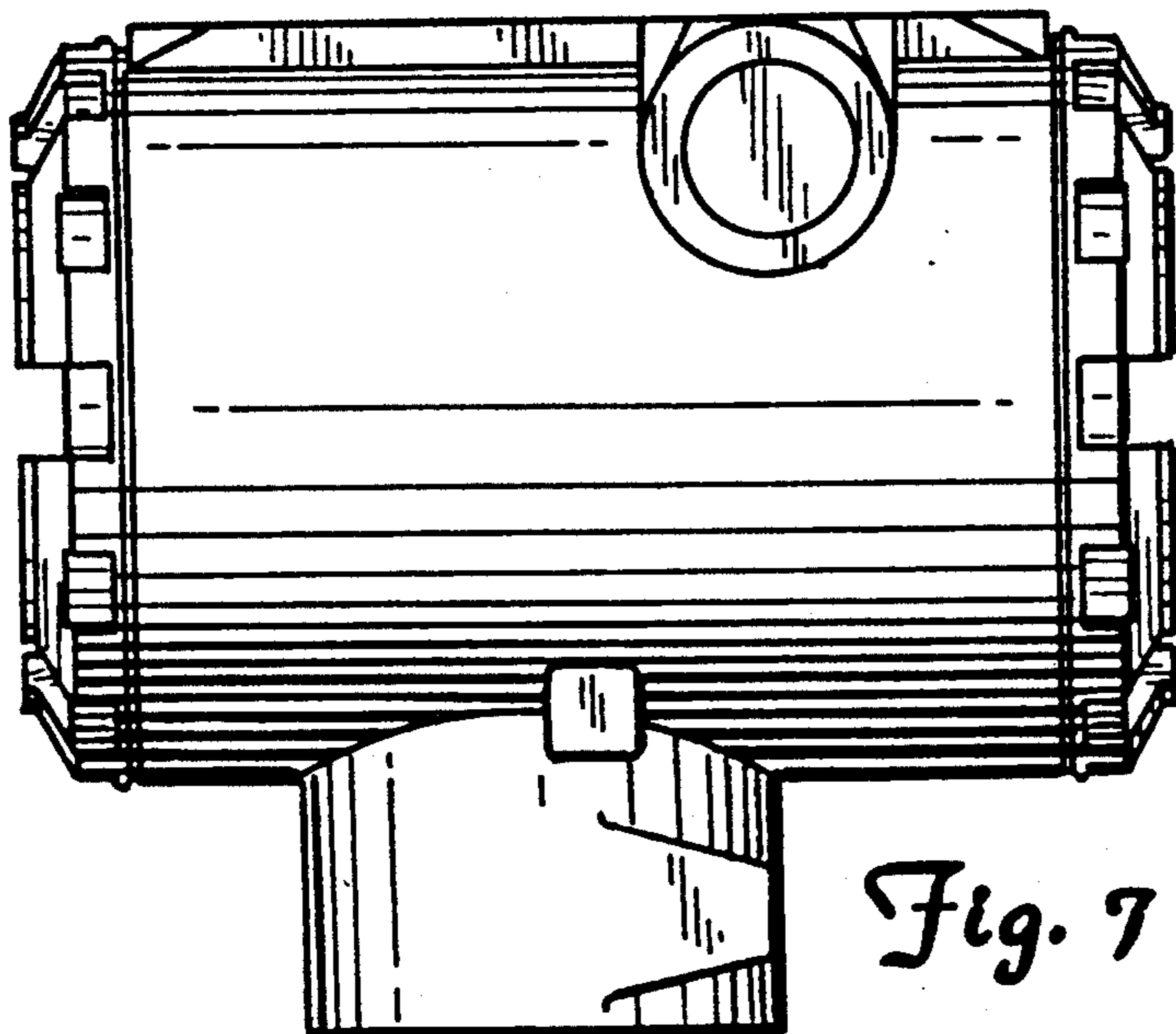


Fig. 7