

[54] THERMOSTAT

[75] Inventors: James A. Odom, Jr., Apple Valley; Rolf L. Strand, Crystal, both of Minn.

[73] Assignee: Honeywell Inc., Minneapolis, Minn.

[\*\*] Term: 14 Years

[21] Appl. No.: 316,115

[22] Filed: Feb. 27, 1989

[52] U.S. Cl. .... D10/51

[58] Field of Search ..... D10/49, 50, 51, 52, D10/53; 165/11.1, 12, 13, 14, 15, 16, 18; 236/46 R, 47, 94; 337/112, 327, 360, 380, 381, 414; 364/557; 324/133, 435; 62/125, 126; 73/431; 116/306, 216, DIG. 1

[56] References Cited

U.S. PATENT DOCUMENTS

- D. 165,539 12/1951 Morgan ..... D10/51
- D. 175,675 9/1955 Dreyfuss ..... D10/51
- D. 191,955 12/1961 Briggs ..... D10/51
- D. 228,468 9/1973 Wolfe ..... D52/7 R
- D. 249,476 9/1973 Kolbow ..... D10/60
- D. 254,052 1/1980 Wolfe ..... D10/51
- D. 255,103 5/1980 Wolfe ..... D10/51
- D. 256,335 8/1980 Pasquarette ..... D10/50
- D. 256,336 8/1980 Odom et al. .... D10/51

- D. 270,815 10/1983 Odom ..... D10/50
- D. 271,086 10/1983 Odom ..... D10/50
- D. 271,380 11/1983 Zanazzo et al. .... D10/49
- D. 288,785 3/1987 Levine ..... D10/60
- 4,264,034 4/1981 Hyltin et al. .... D10/50 X
- 4,374,541 2/1983 Hoberman ..... D10/50 X
- 4,621,336 11/1986 Brown ..... D10/50 X

OTHER PUBLICATIONS

The Honeywell Spectrum, Various Thermostats, 6/1986, throughout brochure.

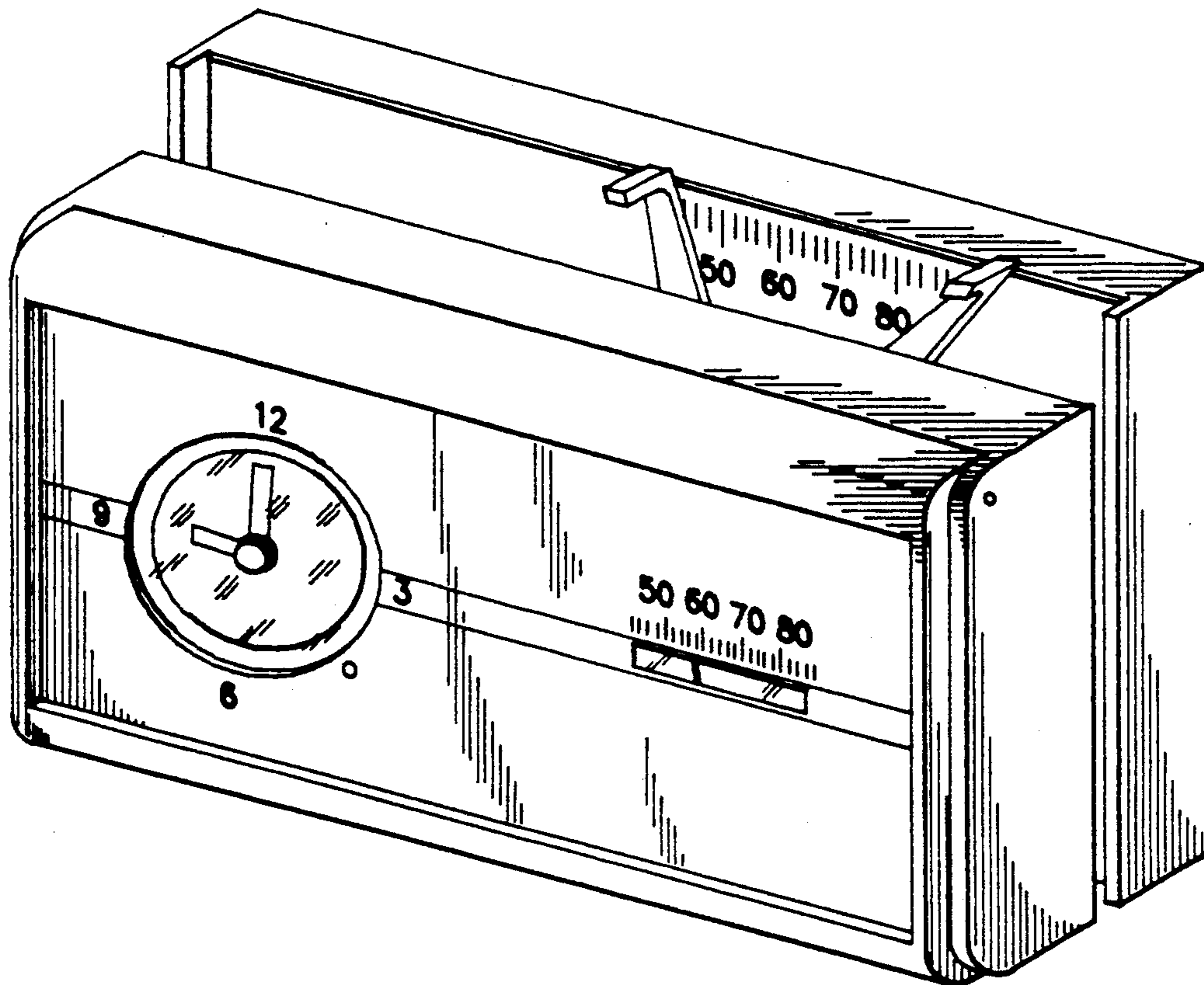
Primary Examiner—Nelson C. Holtje  
Assistant Examiner—Antonie D. Davis  
Attorney, Agent, or Firm—Edward Schwarz

[57] CLAIM

The ornamental design for a thermostat, as shown and described.

DESCRIPTION

FIG. 1 is a top, front and right side perspective view of a thermostat showing our new design; FIG. 2 is a top plan view; FIG. 3 is a right side elevational view, the left side elevational view being a mirror image; FIG. 4 is a front elevational view; FIG. 5 is a bottom plan view; and FIG. 6 is a top, front and right side perspective view of an embodiment of FIG. 1 showing our new design.



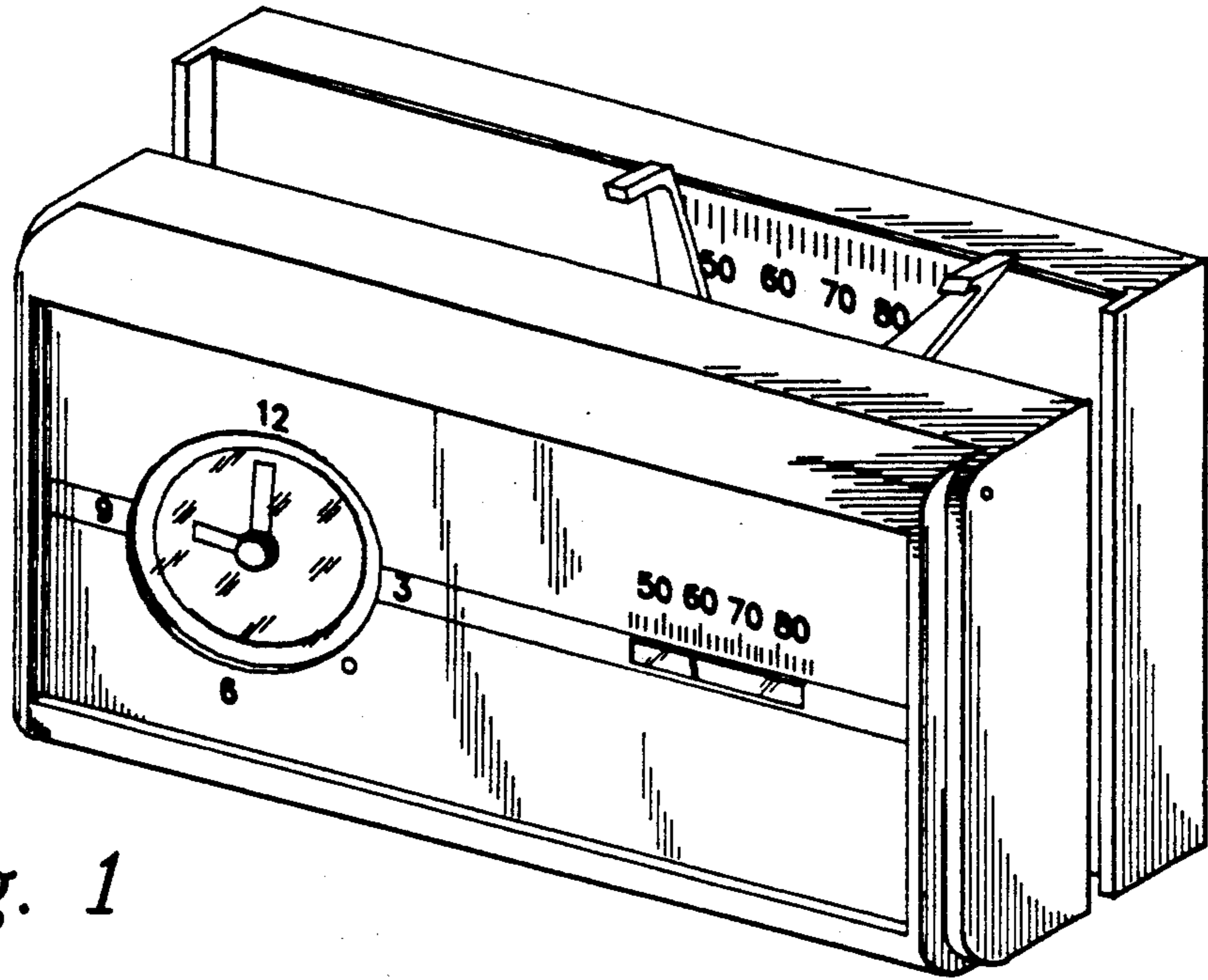


Fig. 1

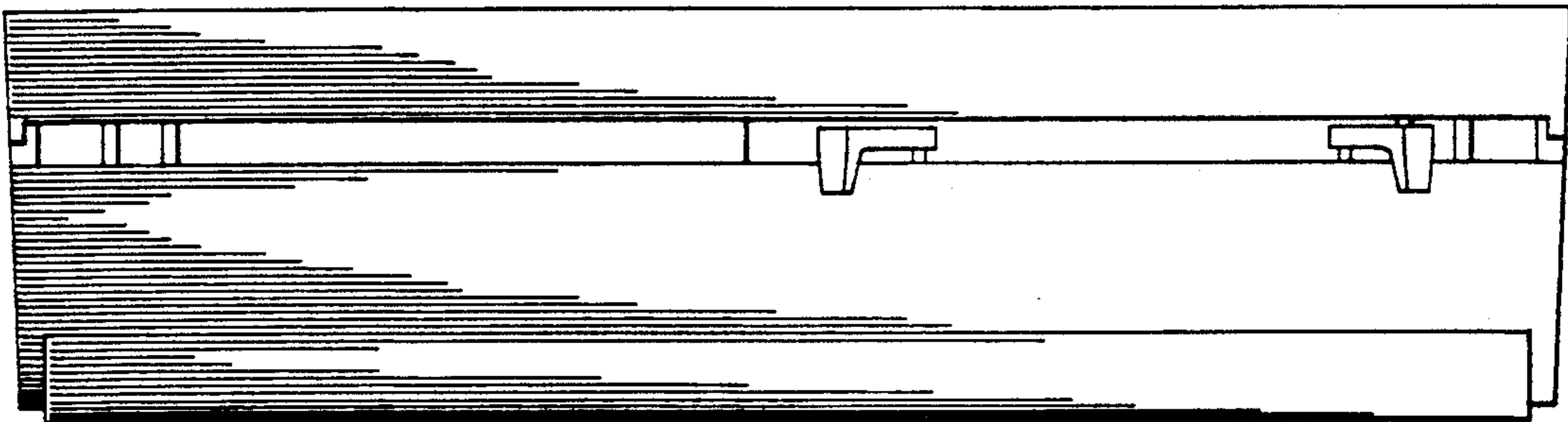


Fig. 2

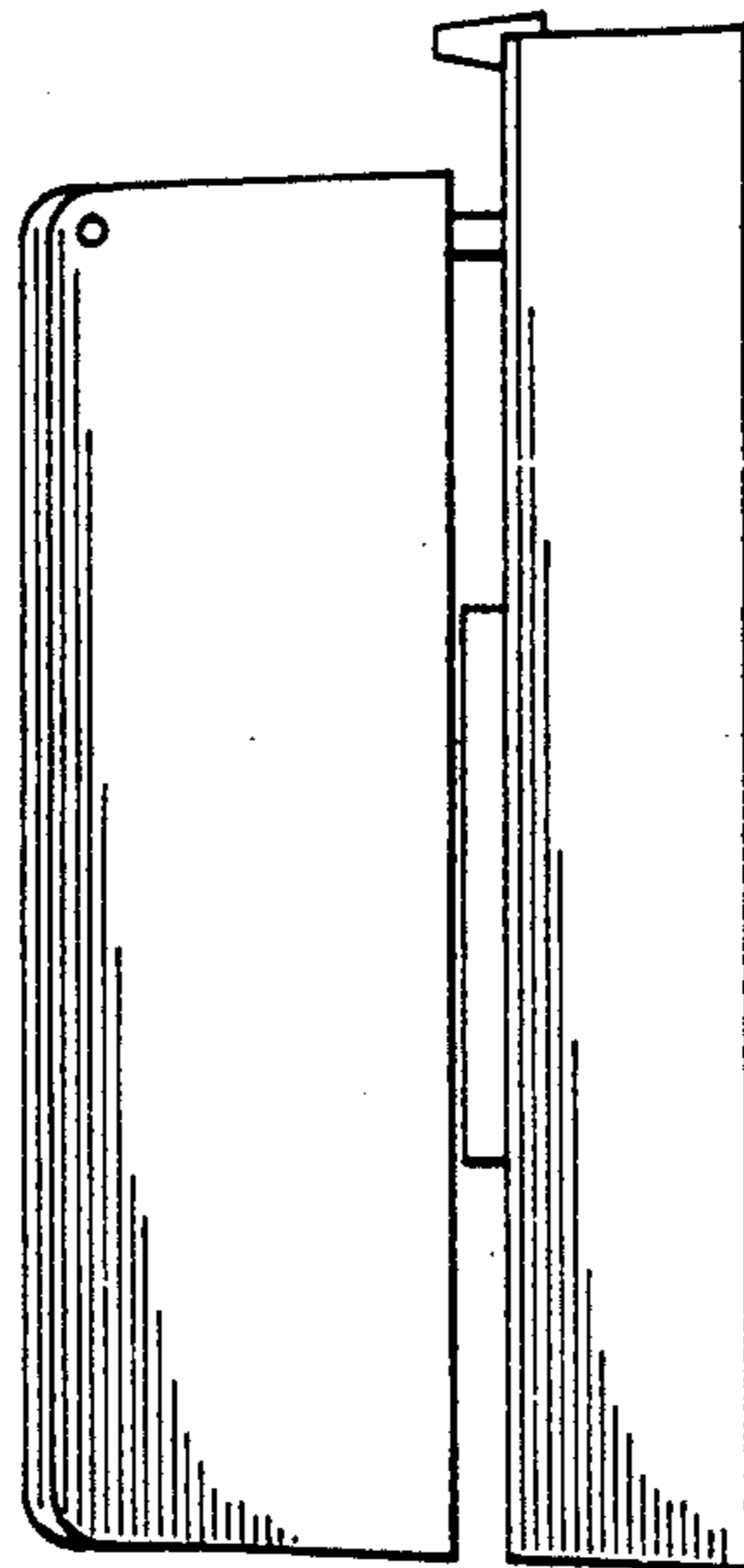


Fig. 3

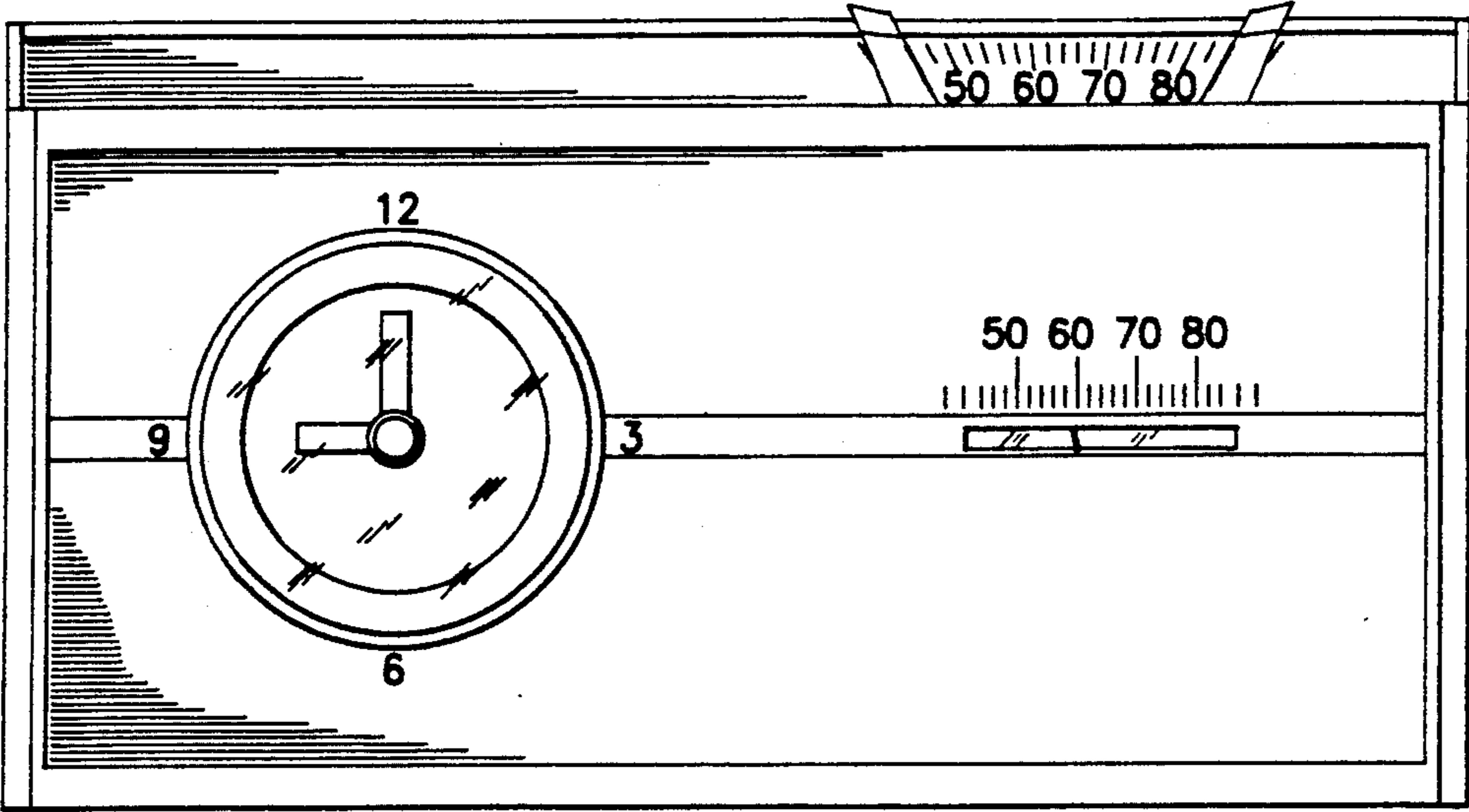


Fig. 4

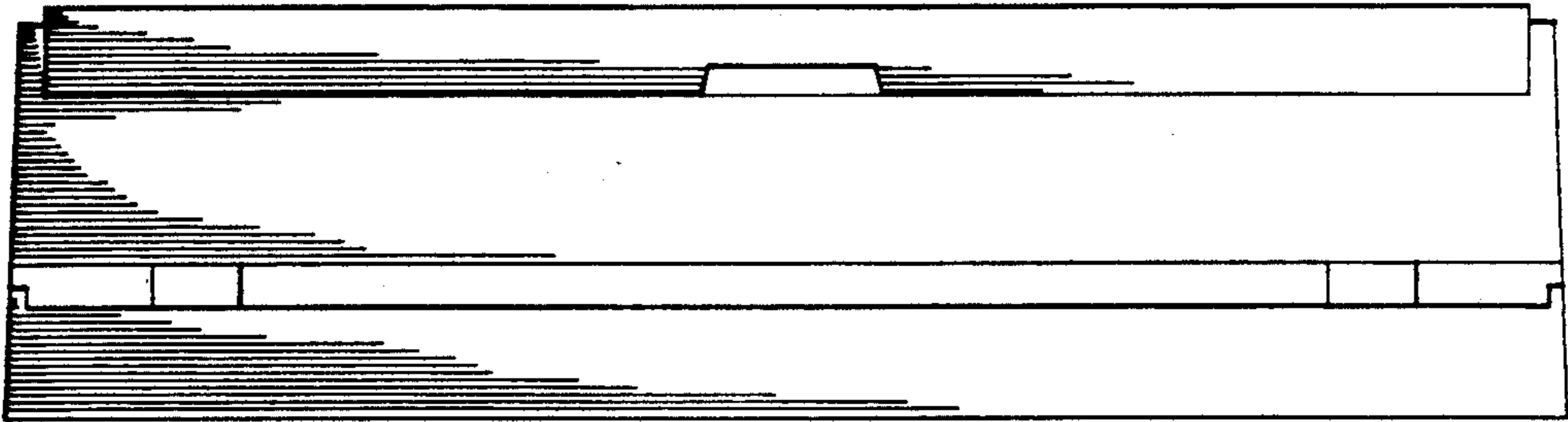


Fig. 5

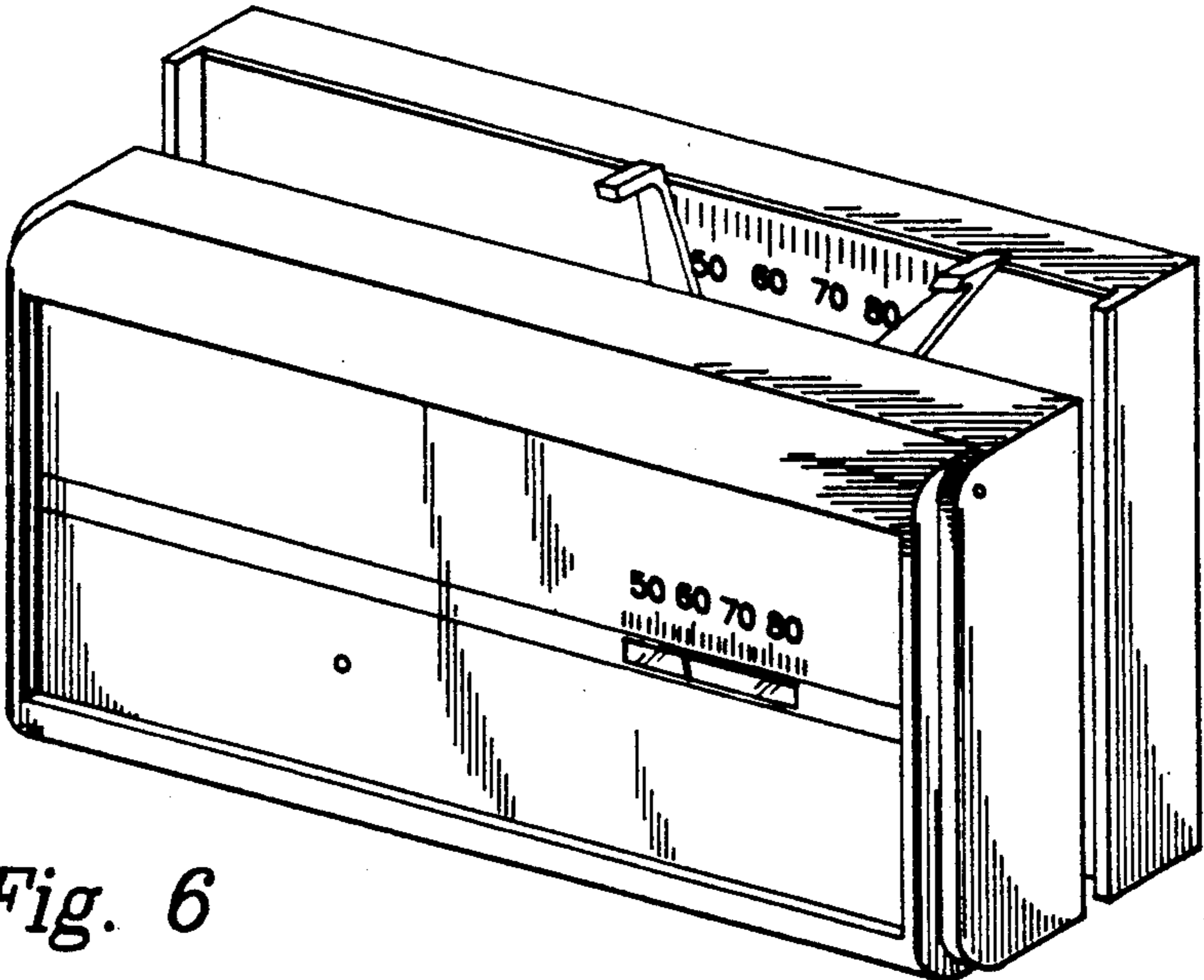


Fig. 6