

- [54] **PRESSURE TRANSMITTER HOUSING**
- [75] Inventors: **David A. Broden, Chanhassen; David W. Lee, Lakeville; Timothy A. Miller; Debra K. Zeller, both of Eagan, all of Minn.**
- [73] Assignee: **Rosemount Inc., Eden Prairie, Minn.**
- [\*\*] Term: **14 Years**
- [21] Appl. No.: **184,695**
- [22] Filed: **Apr. 22, 1988**
- [52] U.S. Cl. .... **D10/46**
- [58] Field of Search ..... **D10/46, 83, 85, 94; D14/155; D23/214, 229; 73/717, 718, 719, 720, 721, 722, 704, 756**

Transmitter", publication date is (10/30/83) of Rosemount Inc.  
 Publication, Foxboro advertisement, published Jul. of 1981.  
 Brochure, Kent Deutschland GmbH, publication date unknown.  
 Brochure, Kent Deltapi K, publication date unknown.  
 Brochure, Honeywell Instrumentation News, publication date unknown.

*Primary Examiner*—Melvin B. Feifer  
*Assistant Examiner*—Philip Hyder  
*Attorney, Agent, or Firm*—Kinney & Lange

[57] **CLAIM**

The ornamental design for a pressure transmitter housing, as shown and described.

**DESCRIPTION**

FIG. 1 is a front elevational view of a pressure transmitter housing embodying my new design;  
 FIG. 2 is a right side elevational view thereof;  
 FIG. 3 is a top plan view thereof;  
 FIG. 4 is a rear elevational view thereof;  
 FIG. 5 is a left side elevational view thereof;  
 FIG. 6 is a bottom plan view thereof;  
 FIG. 7 is a right side elevational view of a modified form of the transmitter with coplanar flange embodying our new design the left side being a mirror image; and  
 FIG. 8 is a rear elevational view of FIG. 7.

The broken line showing in the drawings are for illustrative purposes only and form no part of the claimed design.

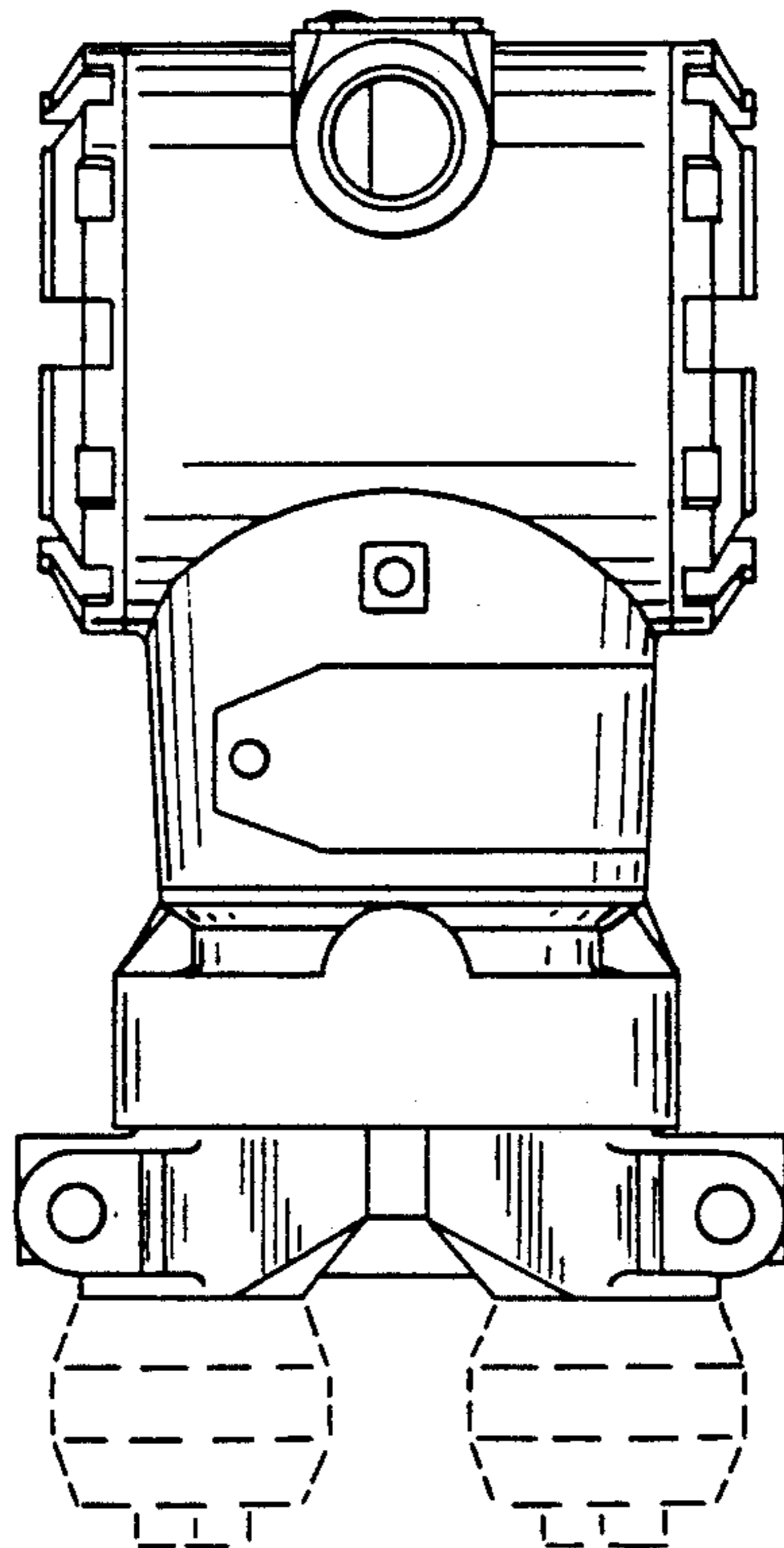
[56] **References Cited**

**U.S. PATENT DOCUMENTS**

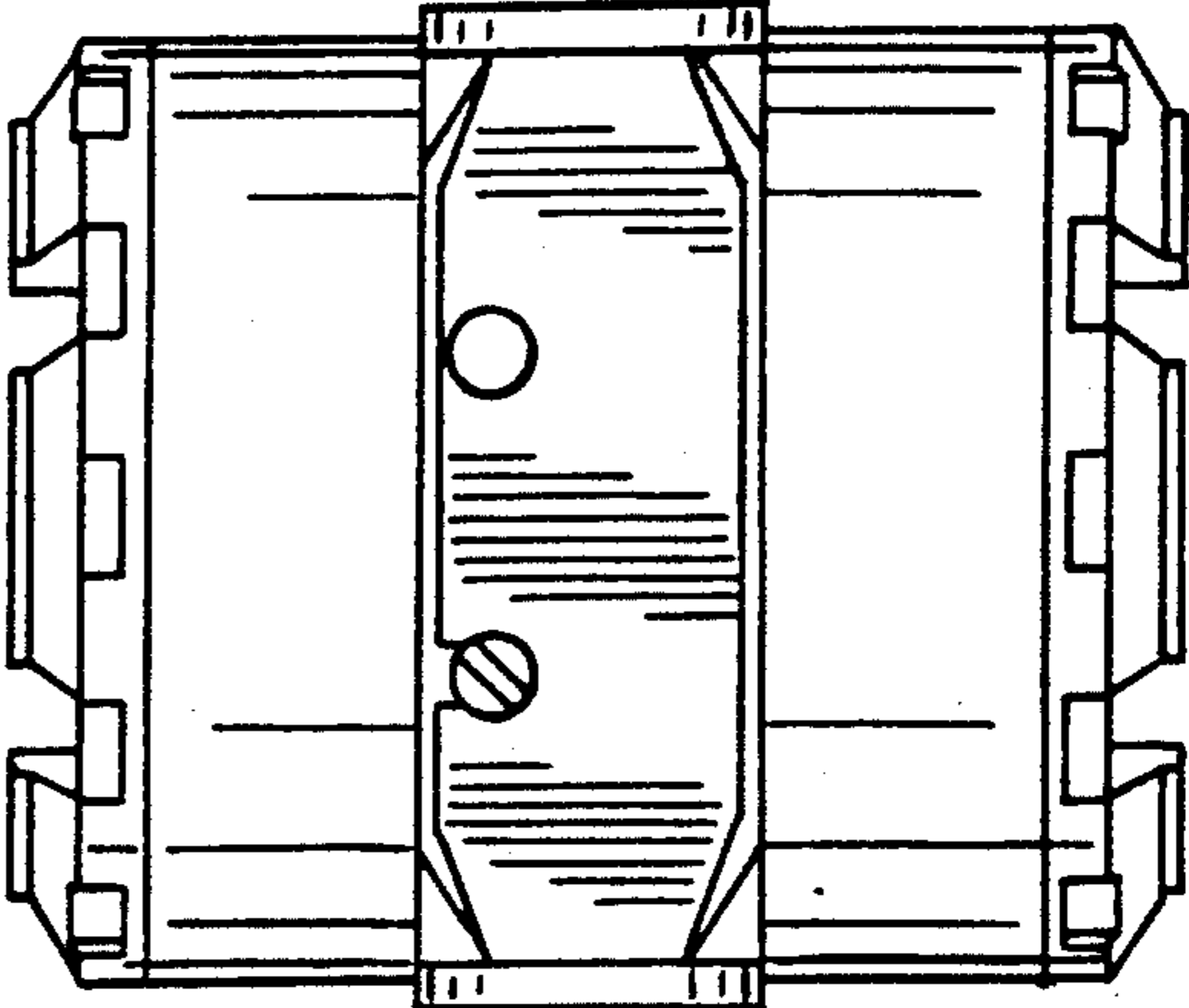
D. 228,088	8/1973	Horst .....	D52/6 R
D. 277,831	3/1985	Bergstrom et al. ....	D10/46
D. 287,827	1/1987	Broden .....	D10/46
D. 296,995	8/1988	Lee .....	D10/46
D. 297,314	8/1988	Hedtke .....	D10/46
D. 297,315	8/1988	Pierce et al. ....	D10/85
3,277,719	10/1966	Prell .....	73/407
3,564,923	2/1971	Nudd, Jr. et al. ....	73/398
4,135,407	1/1979	Ezekiel .....	73/717
4,165,651	8/1979	Olsen et al. ....	73/704
4,172,388	10/1979	Gabrielson .....	73/721
4,198,867	4/1980	Olsen .....	73/704
4,466,290	8/1984	Frick .....	73/756
4,745,810	5/1988	Pierce et al. ....	73/717

**OTHER PUBLICATIONS**

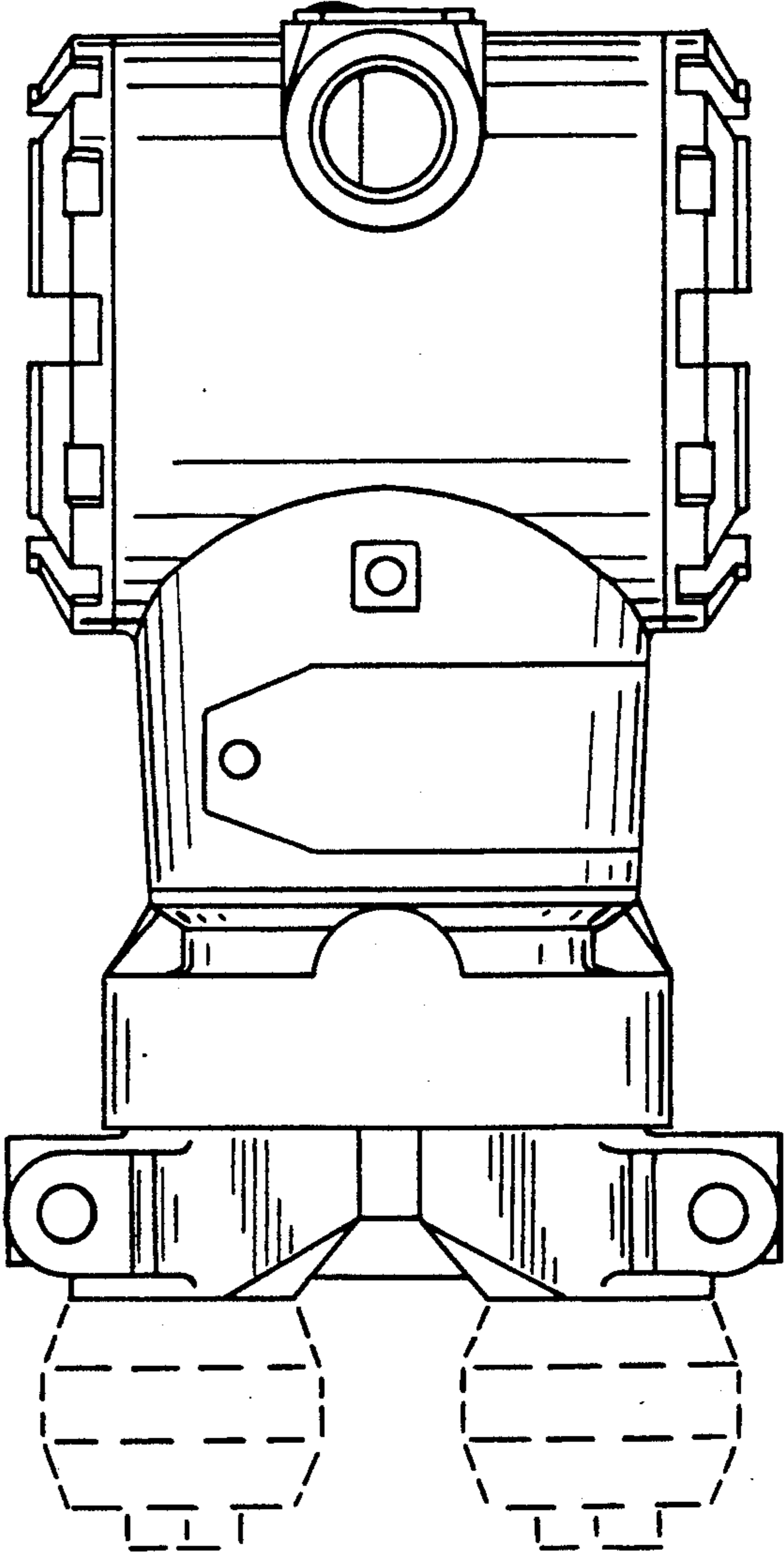
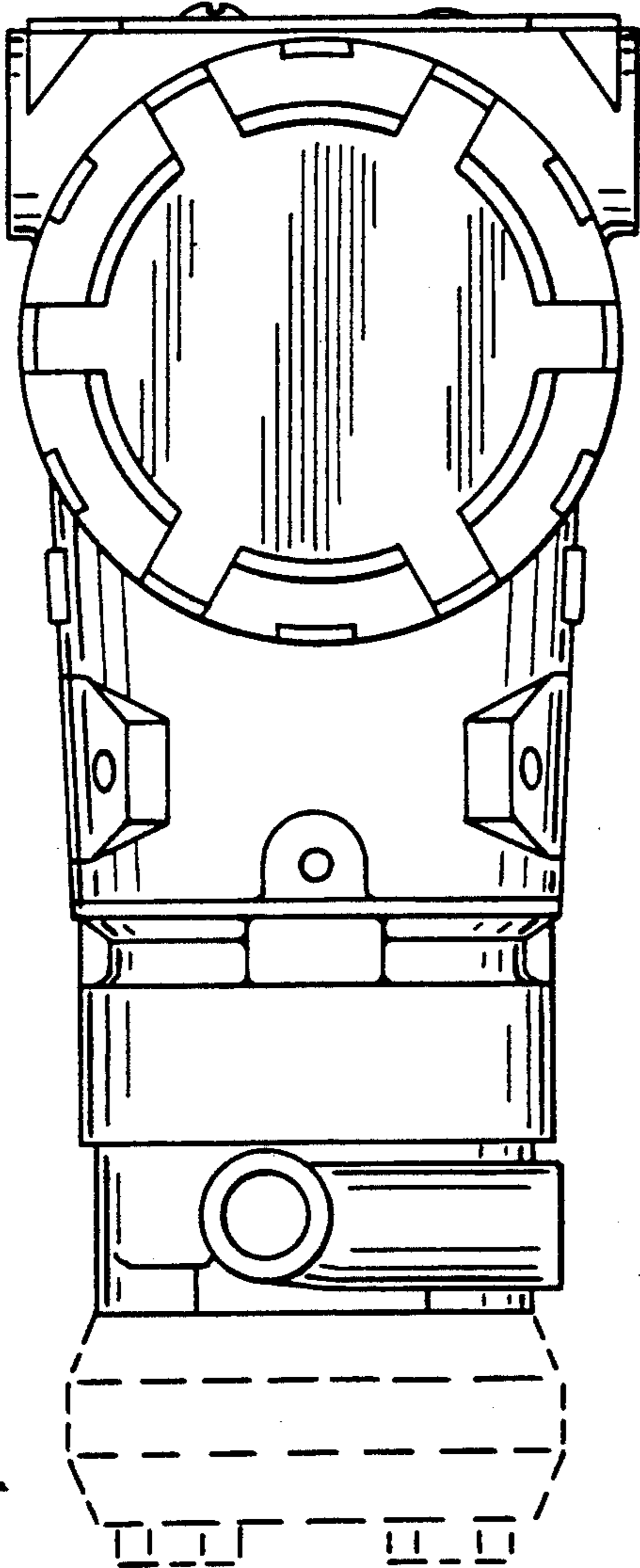
Brochure entitled "The Rosemount 1151 Pressure



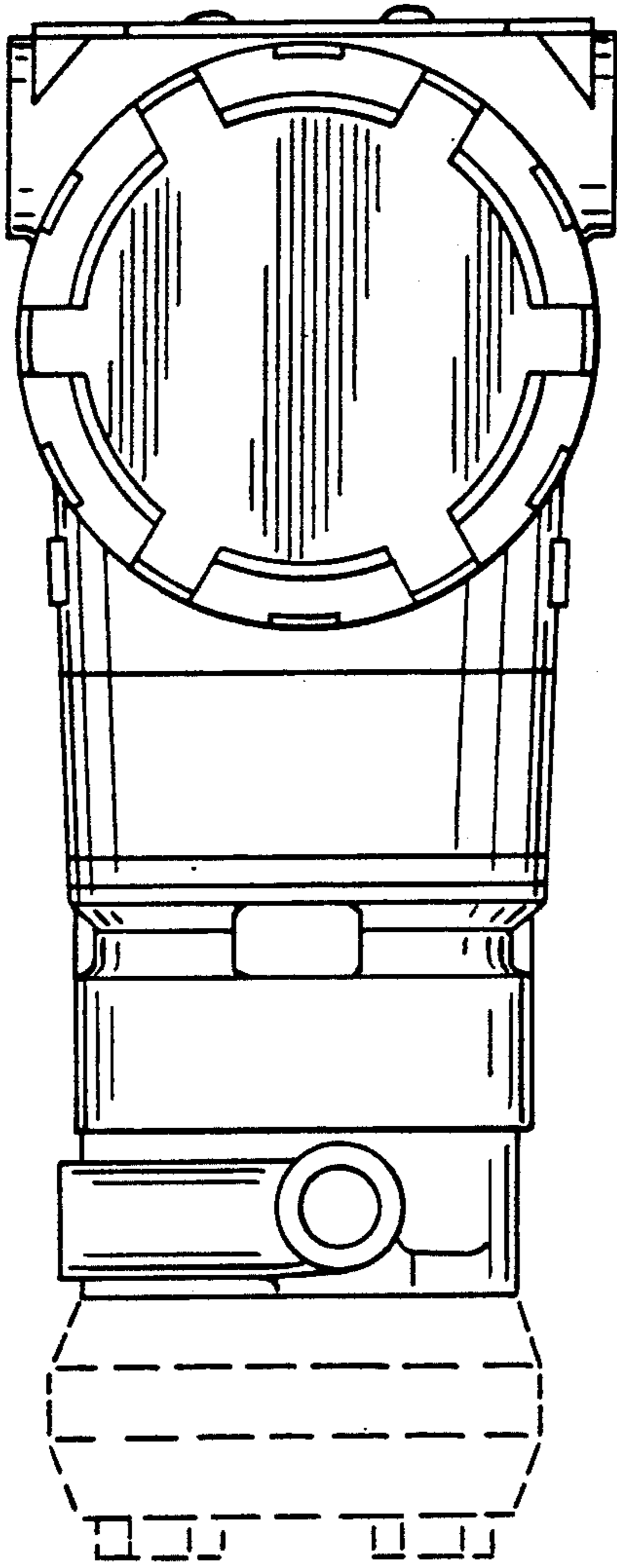
*FIG. 1*



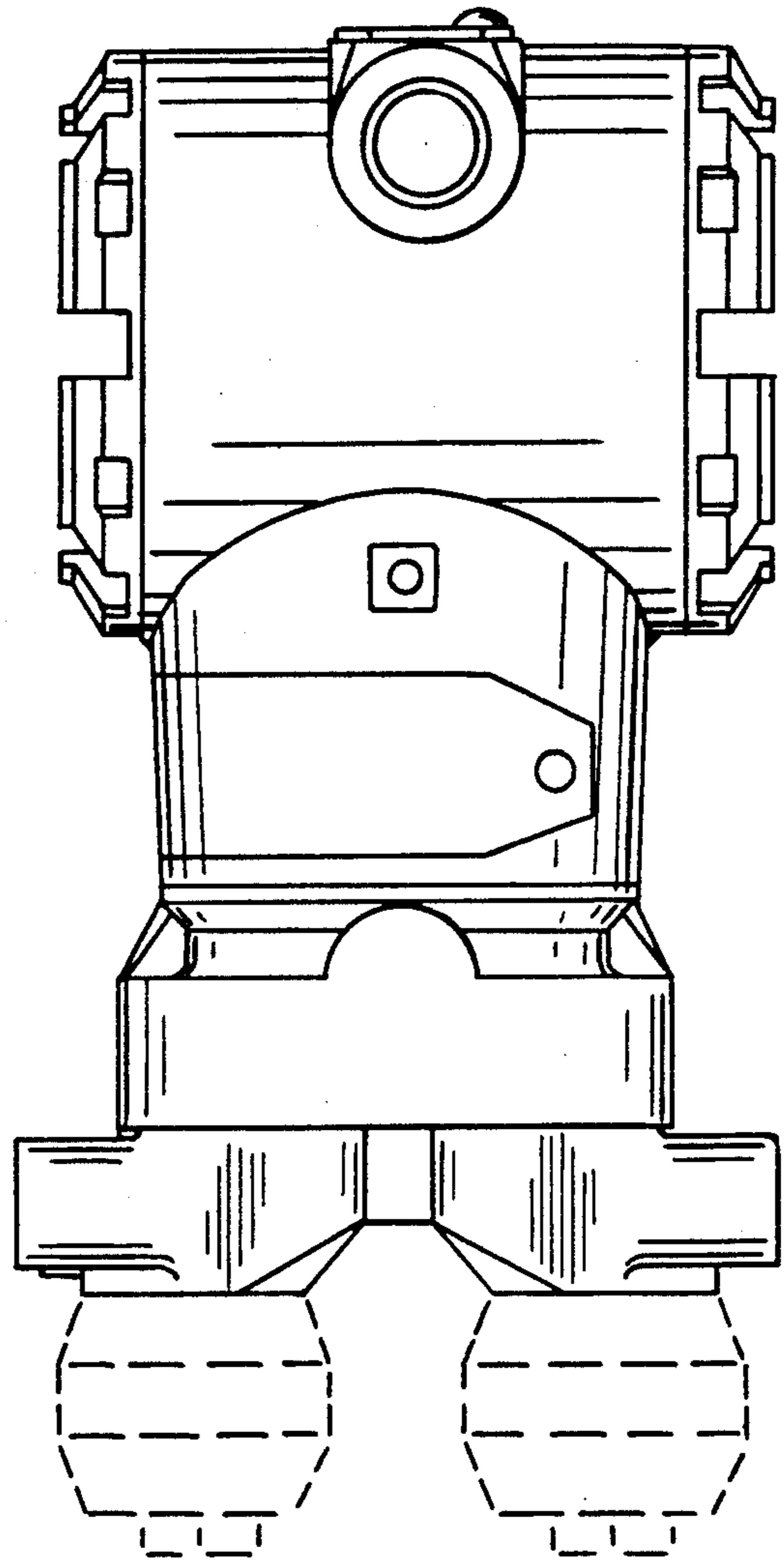
*FIG. 2*



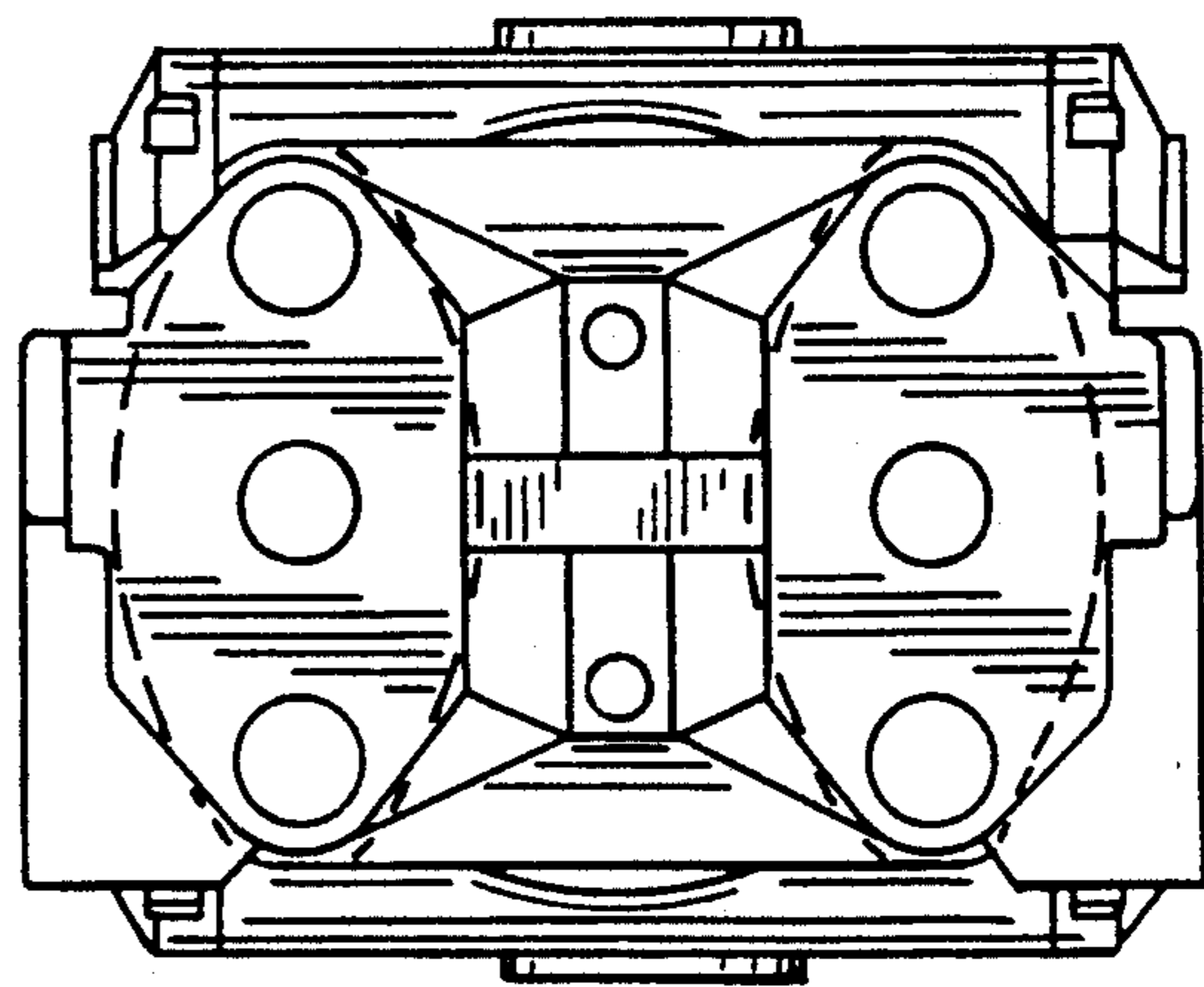
*FIG. 4*



*FIG. 4*

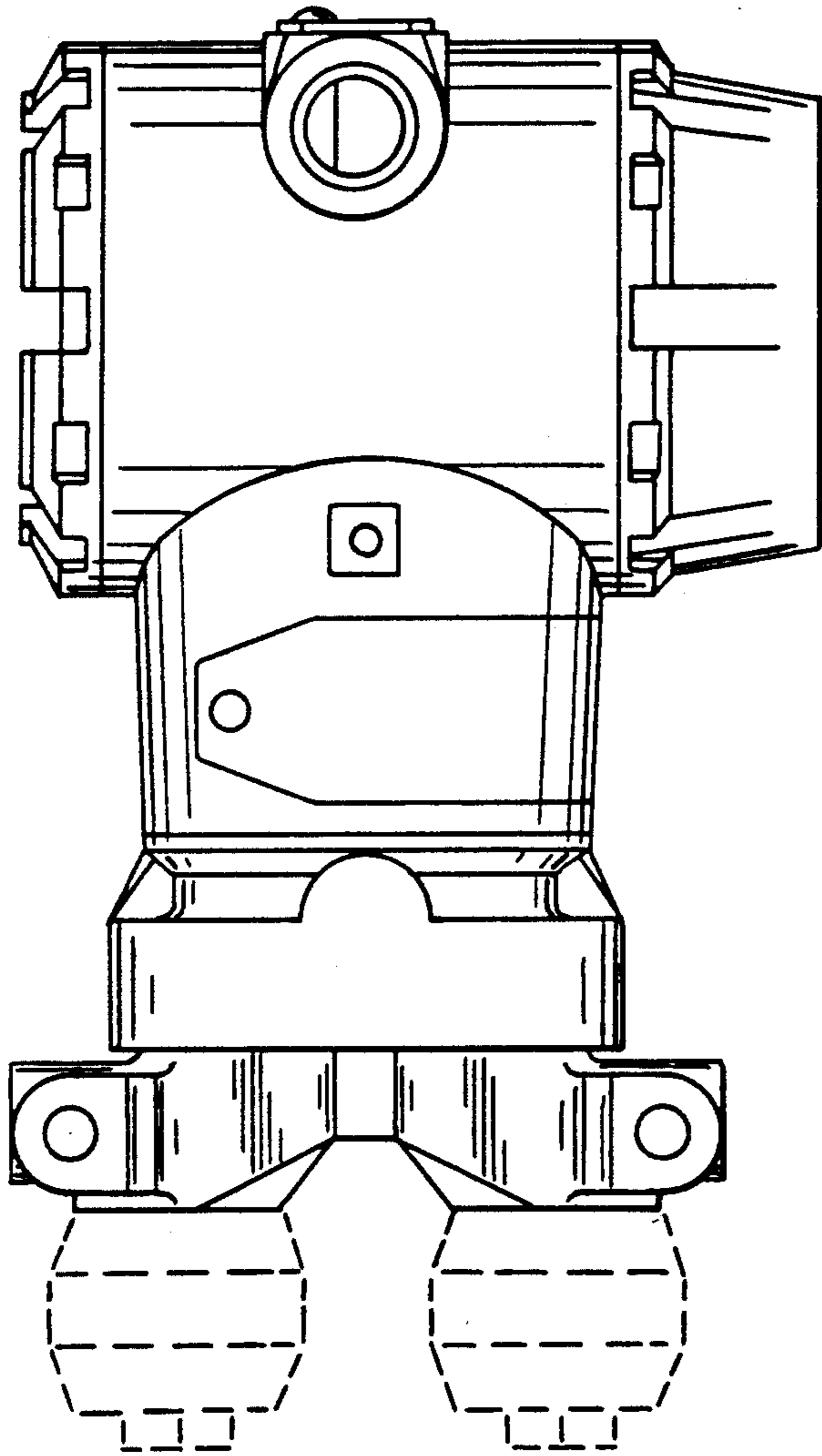


*FIG. 5*

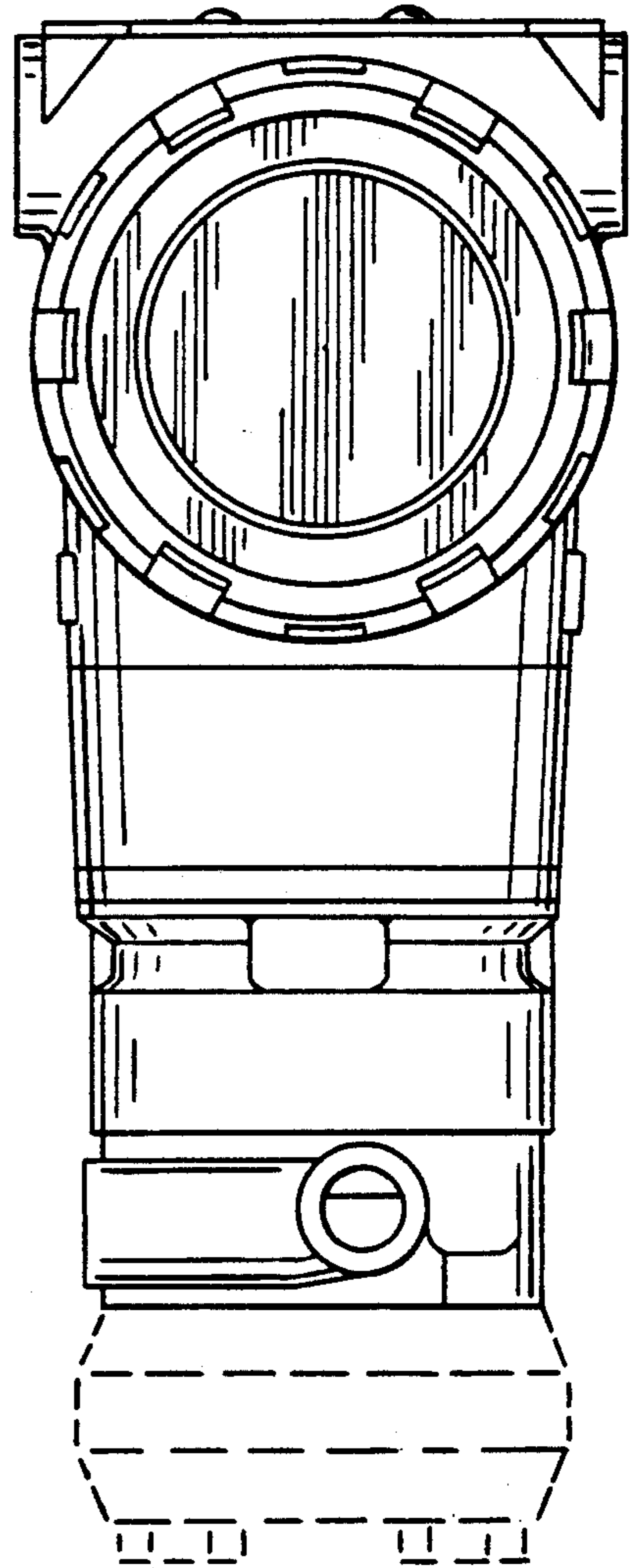


*FIG. 6*





*FIG. 7*



*FIG. 8*