

# United States Patent [19]

Shook et al.

[11] Patent Number: **Des. 317,250**

[45] Date of Patent: **\*\* Jun. 4, 1991**

[54] **BRACKET FOR CONCRETE FORMS**

[75] Inventors: **Hal C. Shook, Kensington, Ga.; John F. Gourley, Chattanooga, Tenn.**

[73] Assignee: **Symons Corporation, Des Plaines, Ill.**

[\*\*] Term: **14 Years**

[21] Appl. No.: **296,585**

[22] Filed: **Jan. 13, 1989**

[52] U.S. Cl. .... **D8/380**

[58] Field of Search ..... **D8/380, 354-360, D8/70, 71, 72; 248/207, 216.4, 305, 309.1, 674; 249/29, 48**

[56] **References Cited**

**U.S. PATENT DOCUMENTS**

- D. 168,074 10/1952 Symington ..... D8/354
- D. 241,613 9/1976 Matousek et al. .... D8/354

- 1,115,253 10/1914 Smith ..... 248/207
- 4,441,684 4/1984 Credle, Jr. .... 248/674

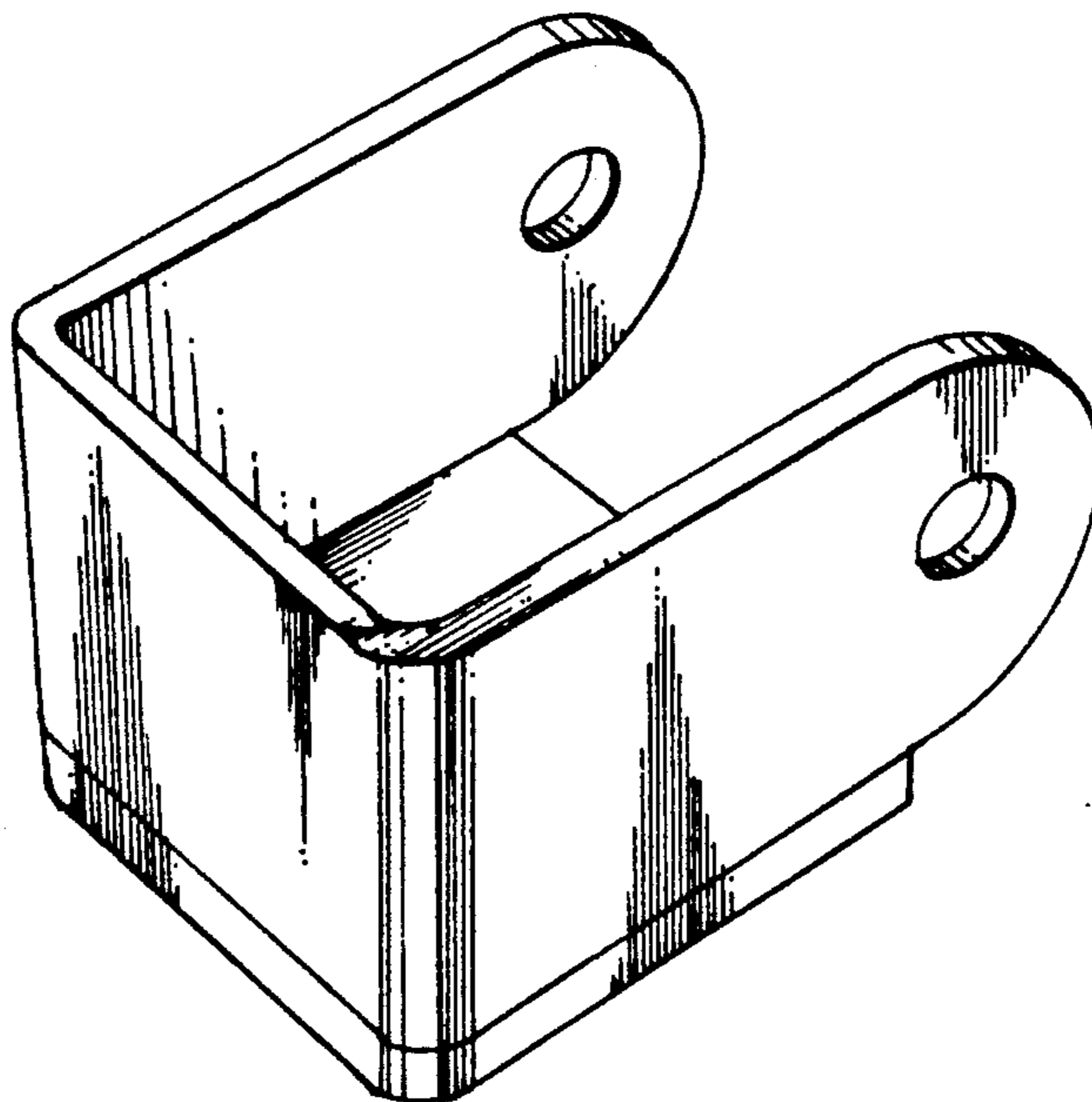
*Primary Examiner*—Wallace R. Burke  
*Assistant Examiner*—Holly H. Baynham  
*Attorney, Agent, or Firm*—Charles F. Meroni, Jr.

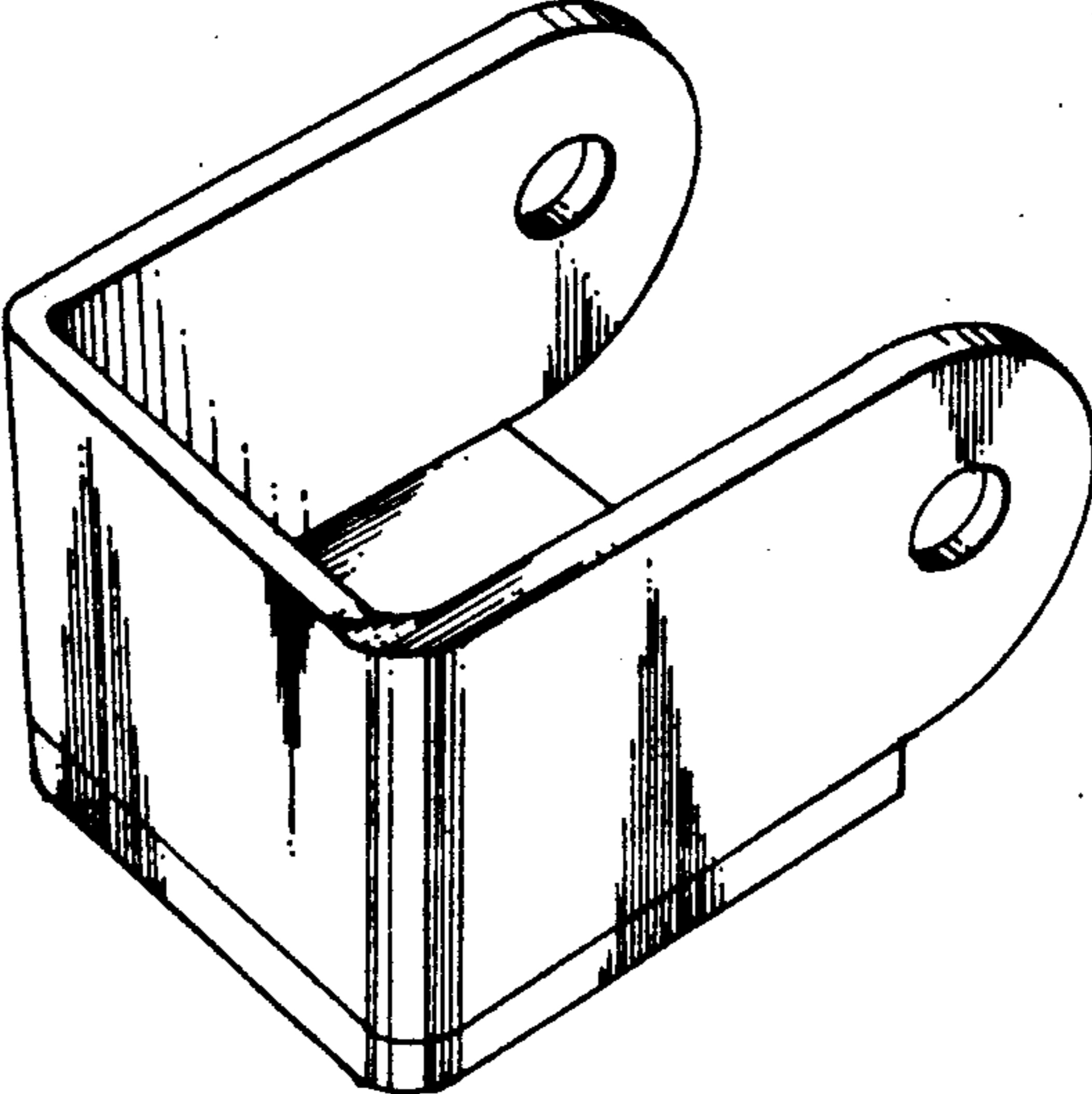
[57] **CLAIM**

The ornamental design for a bracket for concrete forms, as shown and described.

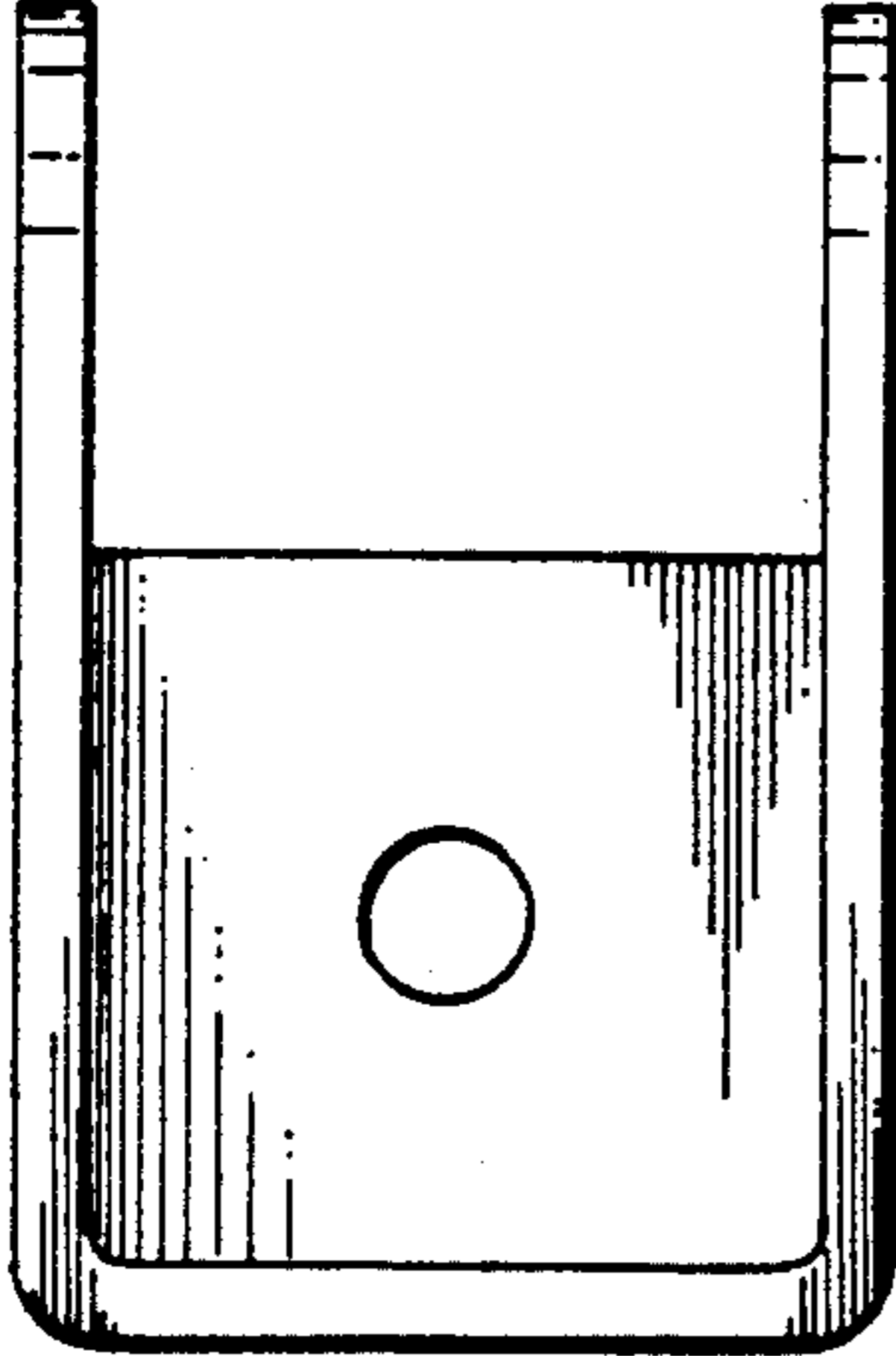
**DESCRIPTION**

FIG. 1 is a front perspective view of a bracket for concrete forms showing our new design;  
FIG. 2 is a top plan view thereof;  
FIG. 3 is a side elevational view with the opposite side being a mirror image thereof;  
FIG. 4 is a bottom plan view thereof;  
FIG. 5 is a front elevational view thereof;  
FIG. 6 is a rear elevational view thereof.

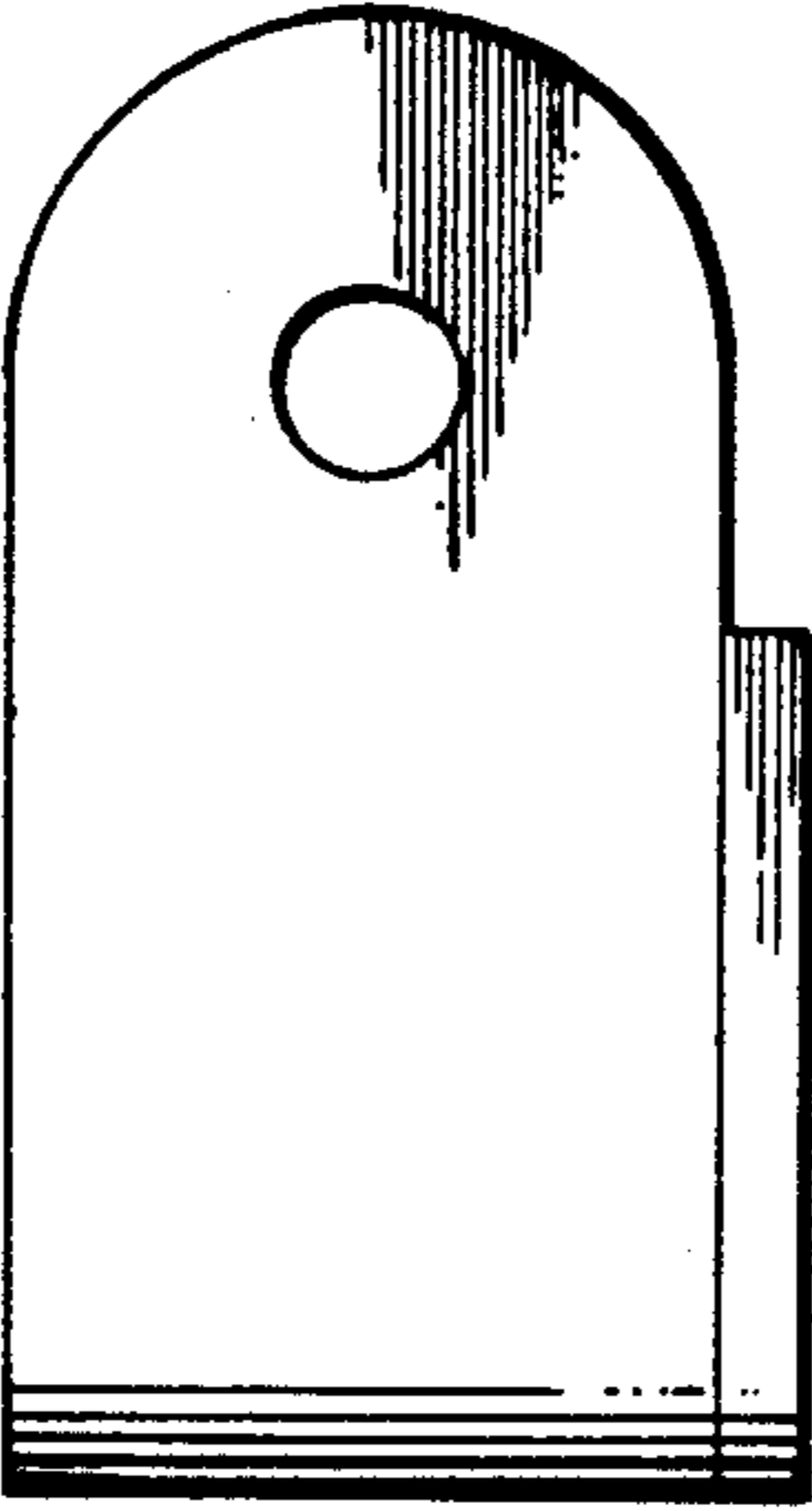




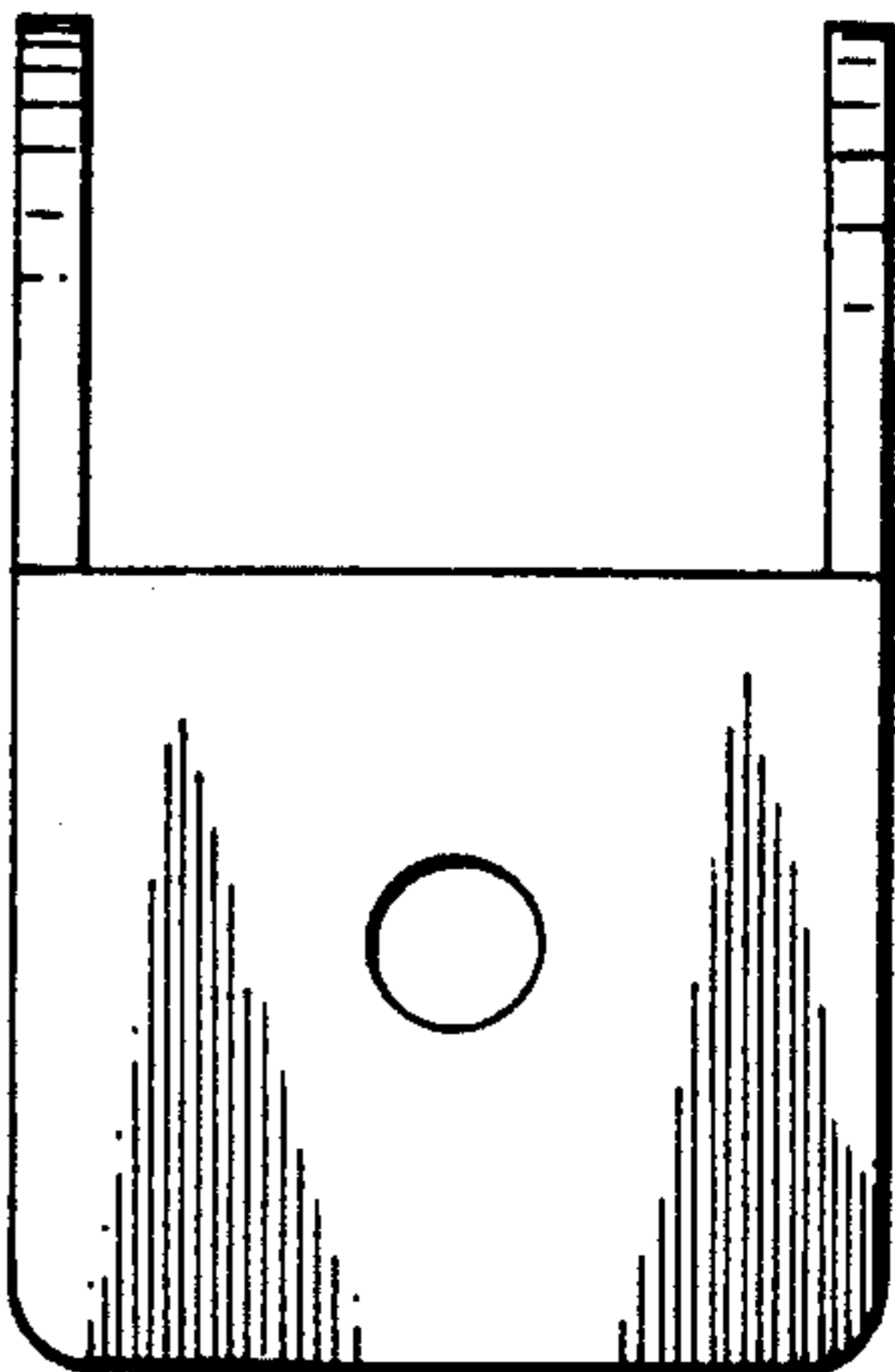
**FIG. 1**



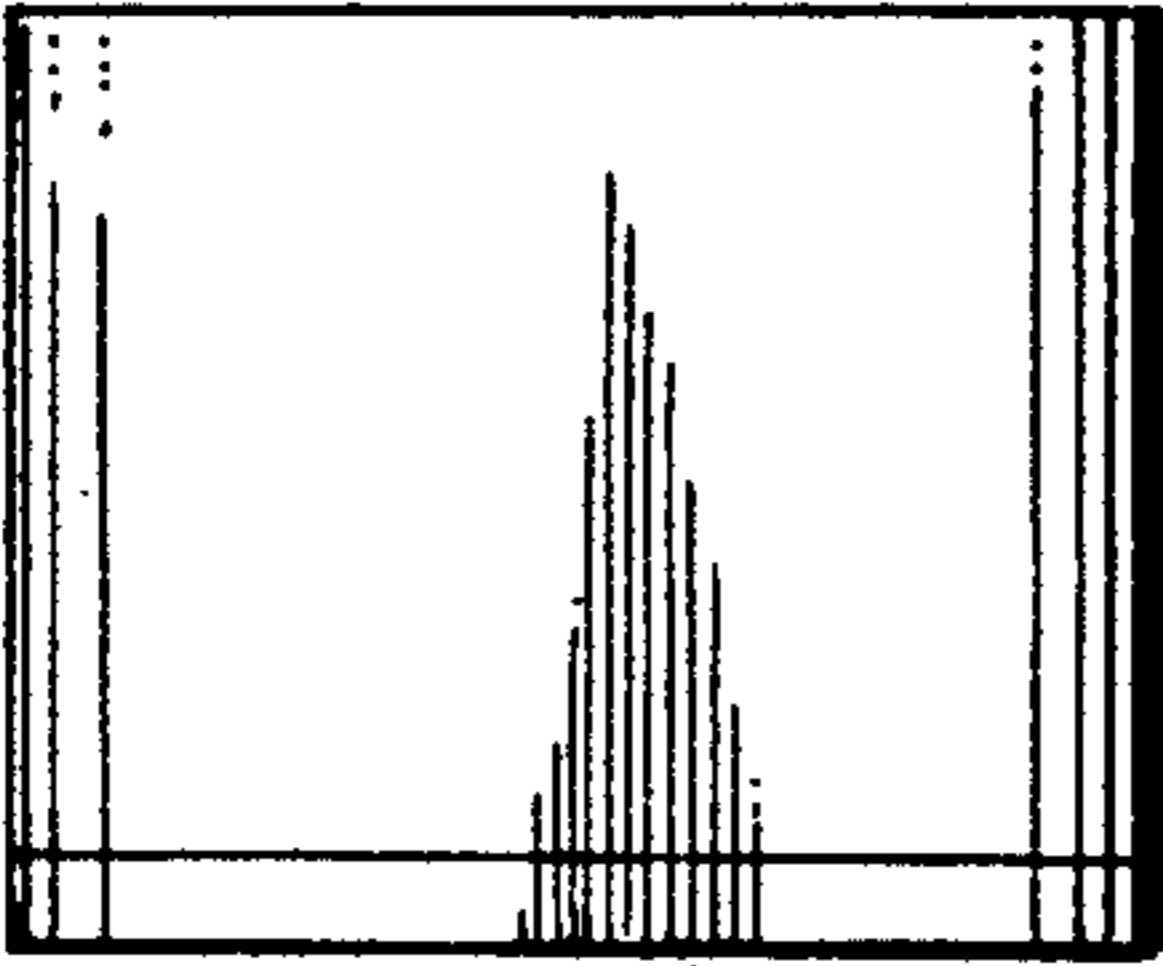
**FIG. 2**



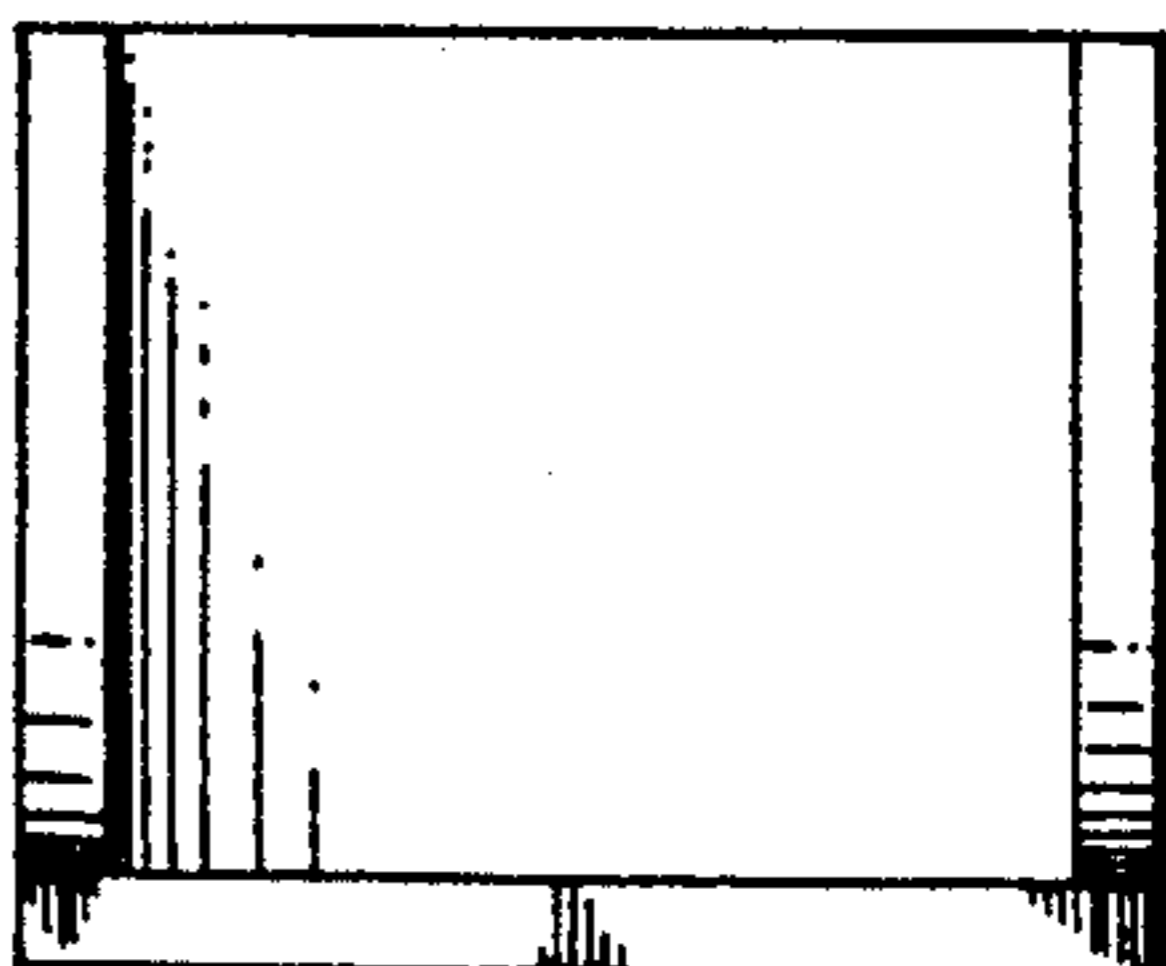
**FIG. 3**



**FIG. 4**



**FIG. 5**



**FIG. 6**