

[54] **GATE LATCH**

[76] **Inventor: Robert C. Wells, 1705 N. Newcomb, Porterville, Calif. 93257**

[**] **Term: 14 Years**

[21] **Appl. No.: 311,992**

[22] **Filed: Feb. 17, 1989**

[52] **U.S. Cl. D8/336**

[58] **Field of Search D8/330-331, D8/339-345; 292/213, 216, DIG. 12, DIG. 29, DIG. 55, 195**

[56] **References Cited**

U.S. PATENT DOCUMENTS

D. 272,041	1/1984	Harris et al.	D8/330
619,668	2/1899	Campbell	292/215
658,469	9/1900	Schoonover	292/216
1,194,786	8/1916	Ross	292/216

1,269,145 6/1918 Wright et al. 292/216

Primary Examiner—Wallace R. Burke
Assistant Examiner—Brian N. Vinson
Attorney, Agent, or Firm—Henderson & Sturm

[57] **CLAIM**

The ornamental design for a gate latch, as shown and described.

DESCRIPTION

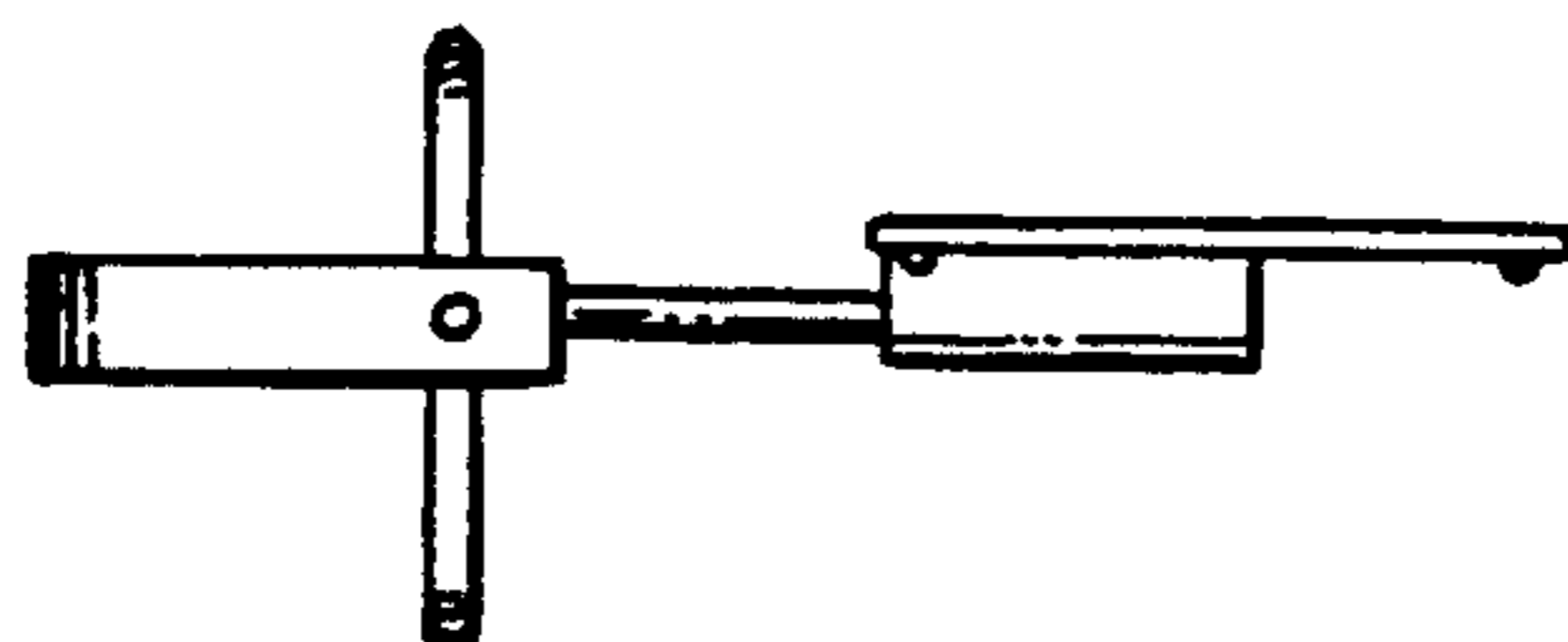
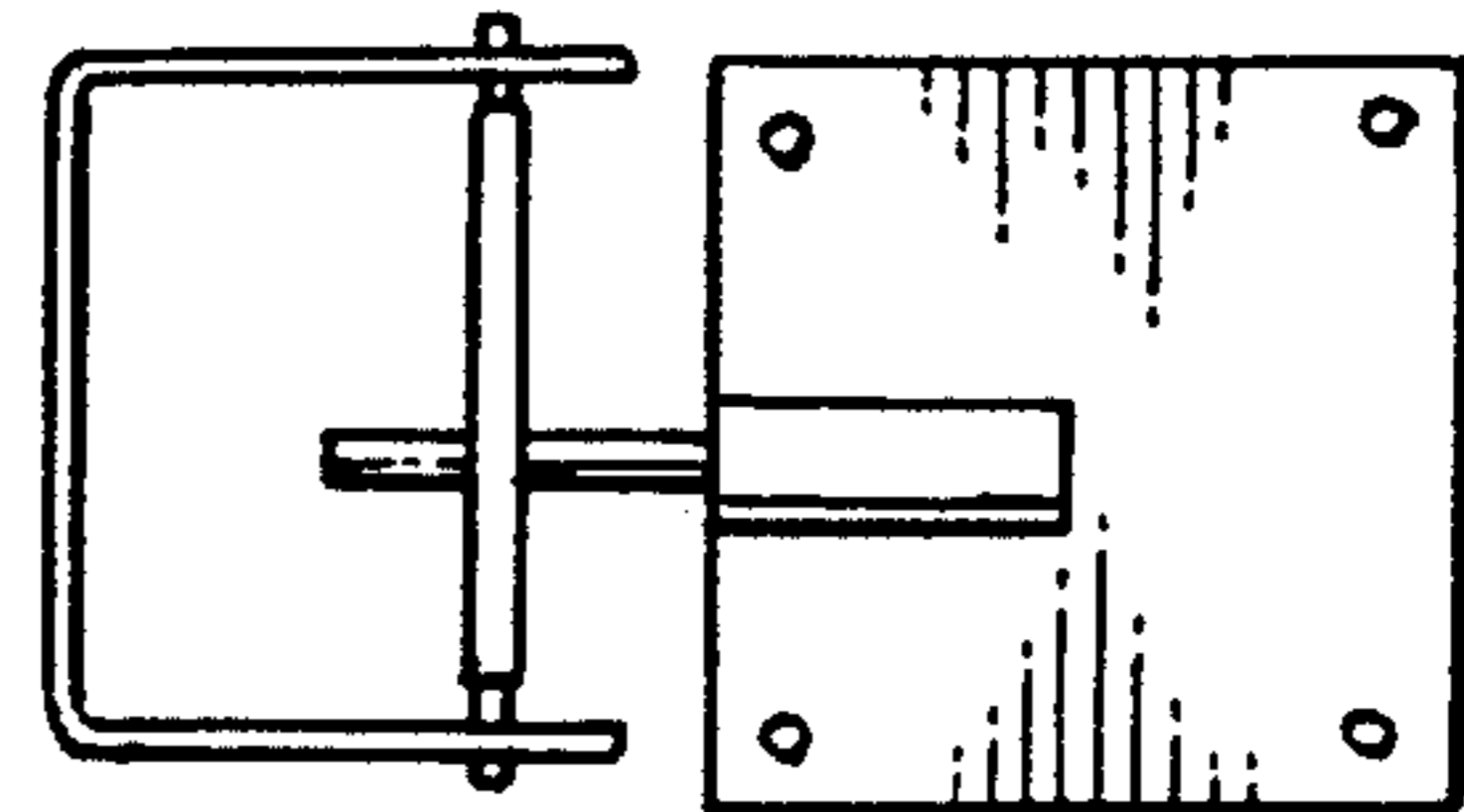
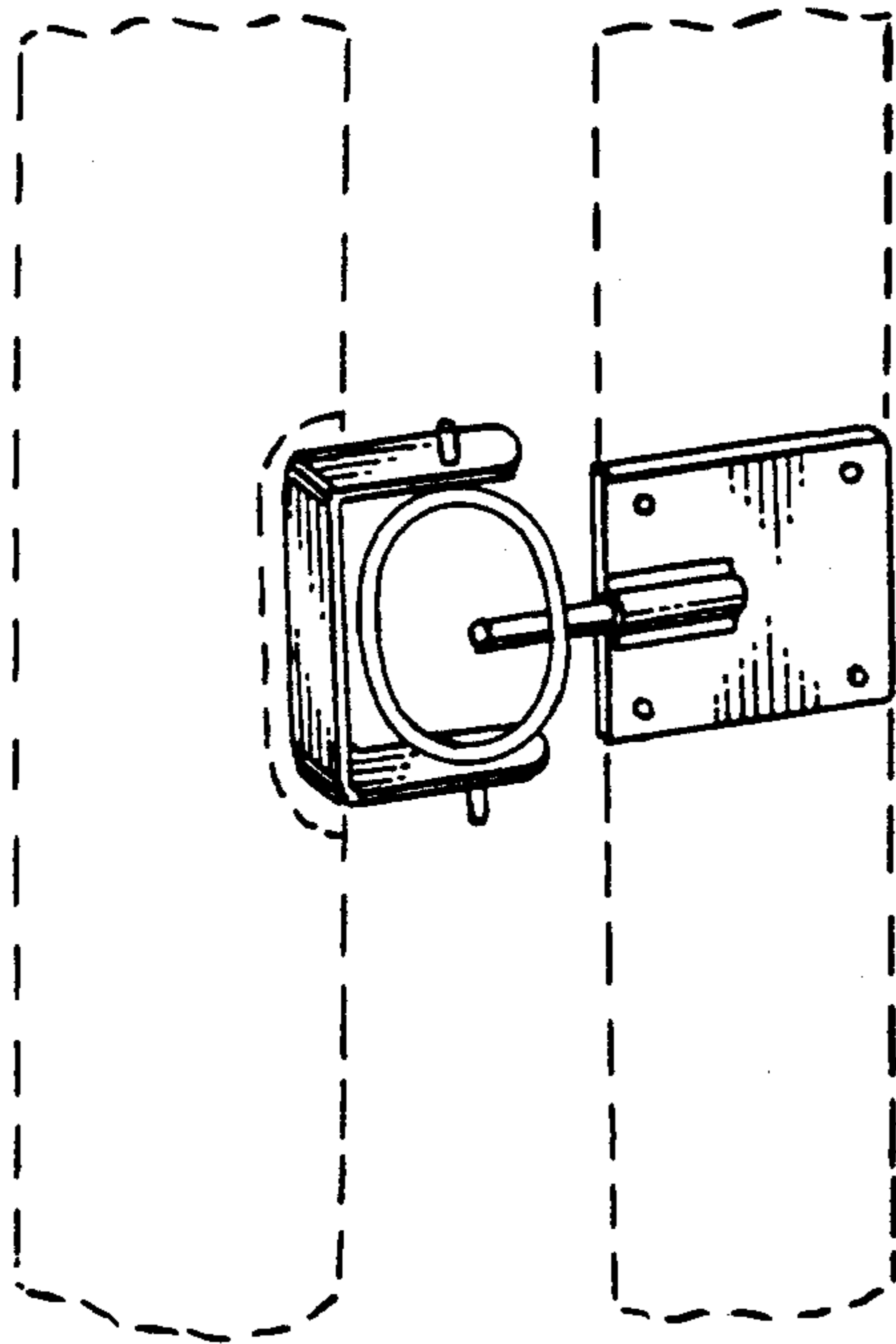
FIG. 1 is a top, front, and left side perspective view of a gate latch showing my new design, the broken-line depiction of portions of the gate being for illustrative purposes only and forming no part of the claimed design;

FIG. 2 is a front elevational view thereof;

FIG. 3 is a top plan view thereof, the bottom being a mirror image of that shown;

FIG. 4 is a right side elevational view thereof; and

FIG. 5 is a left side elevational view thereof.



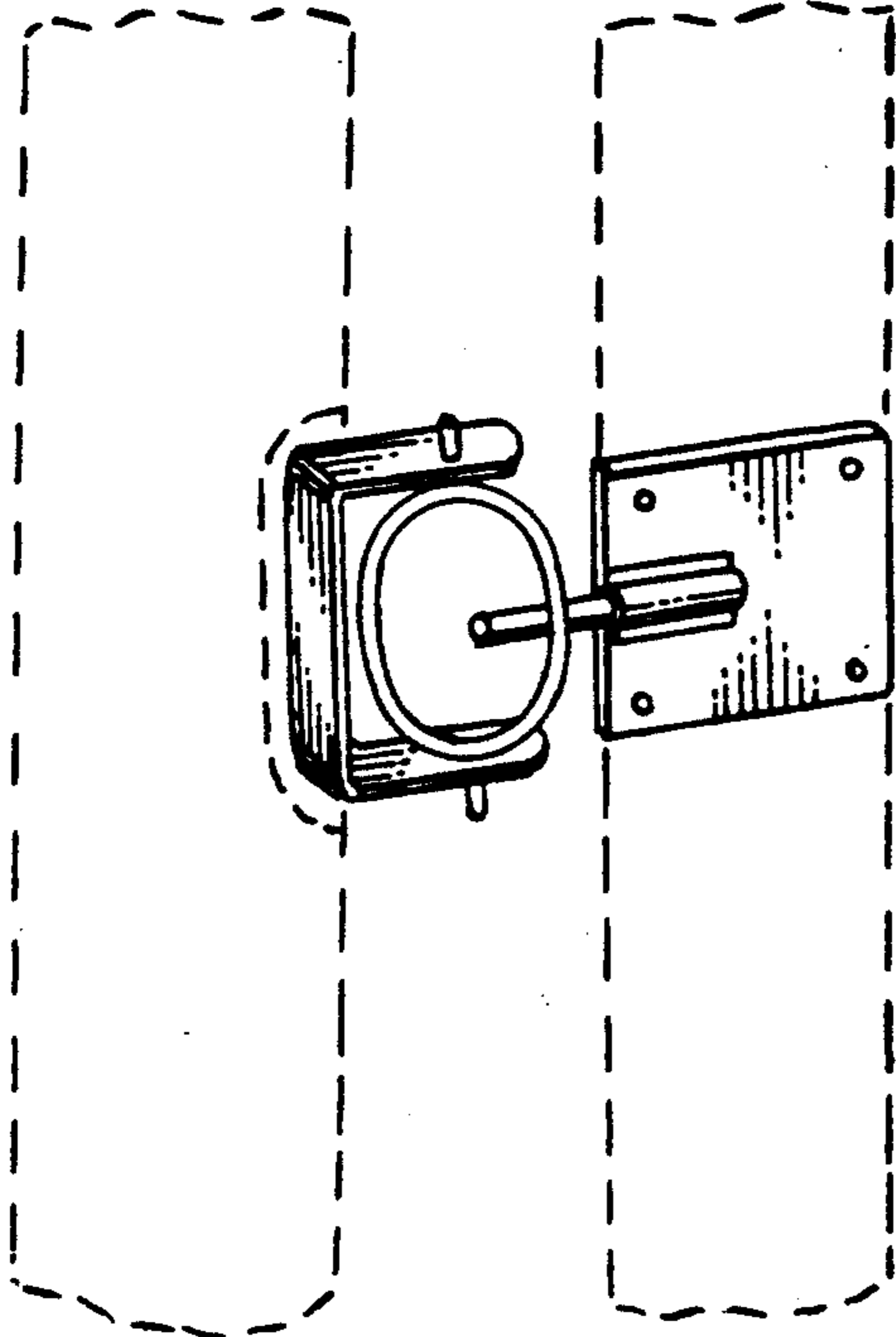


FIG. 1.

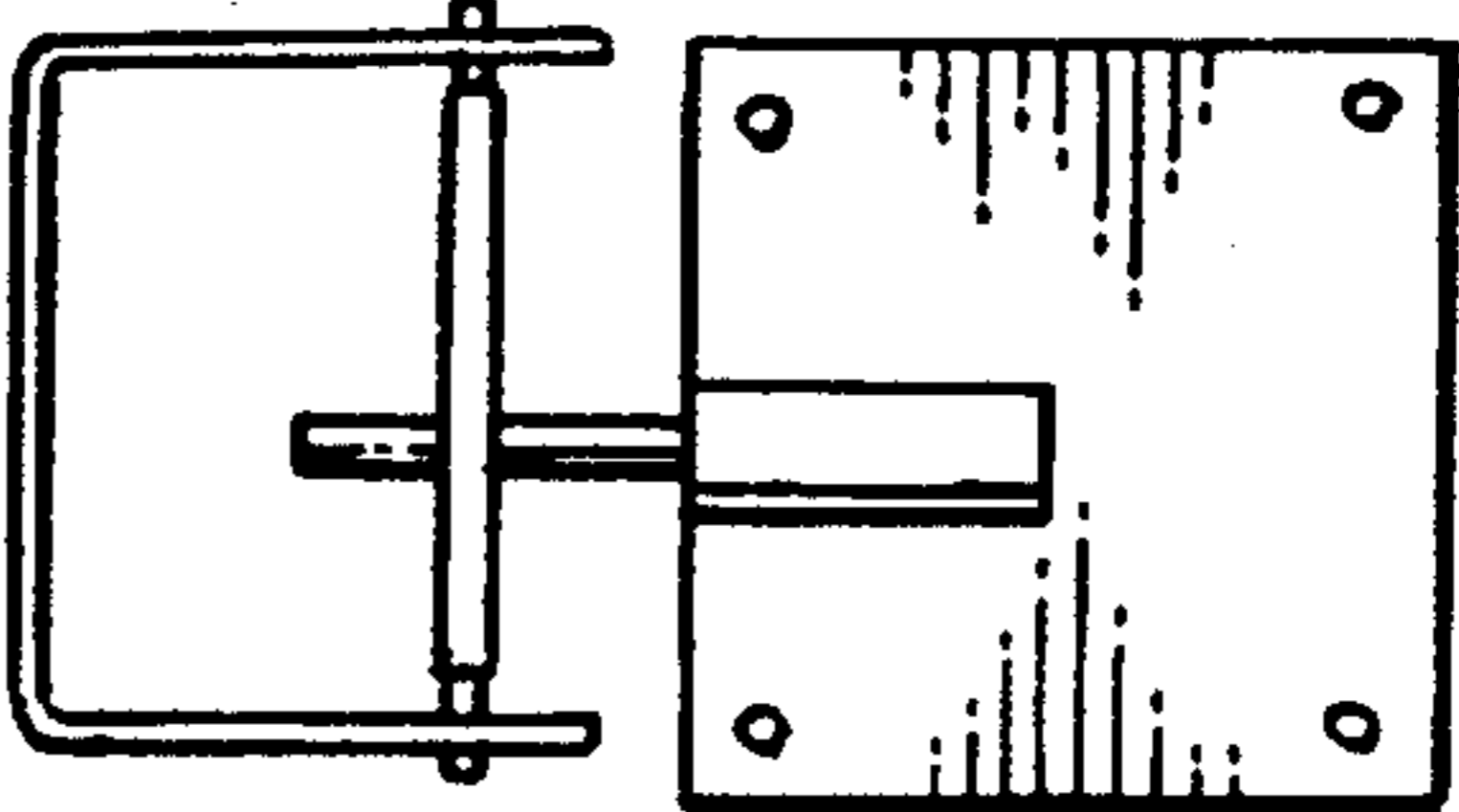


FIG. 2.

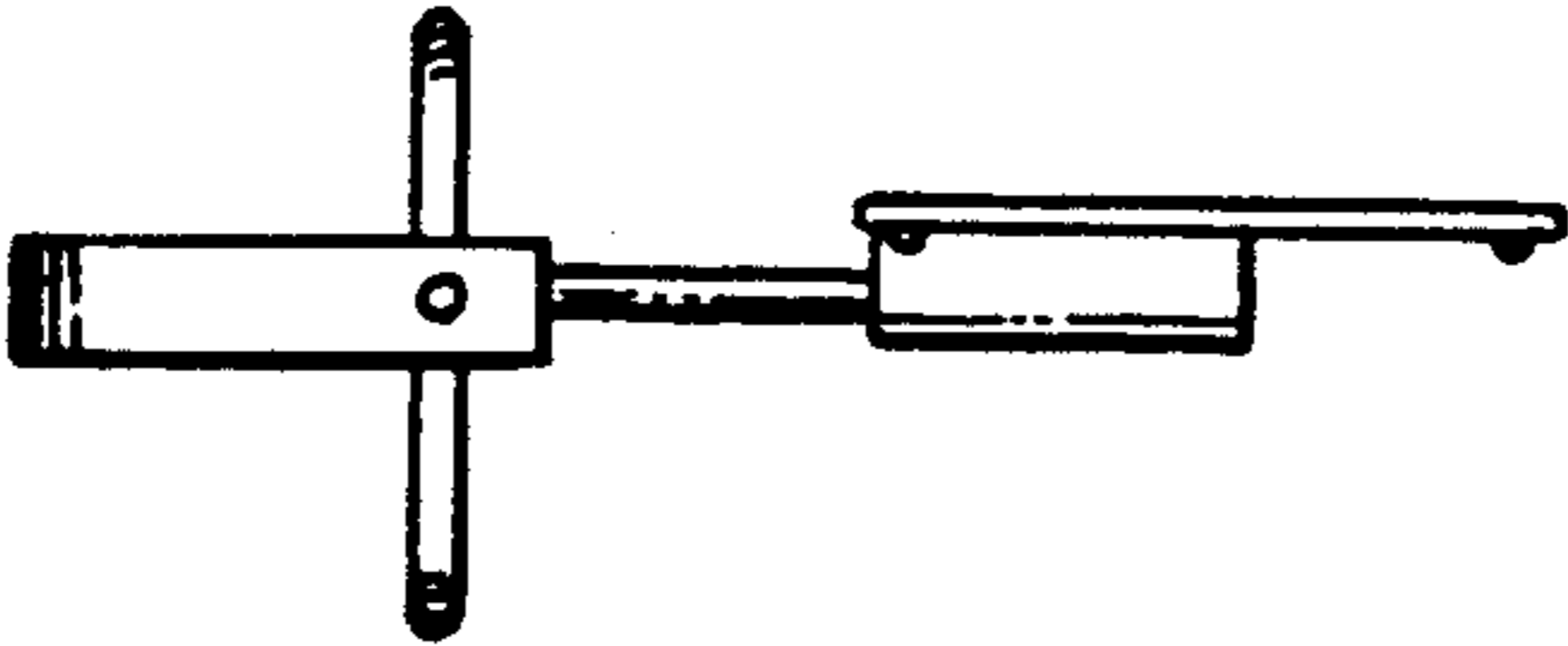


FIG. 3.

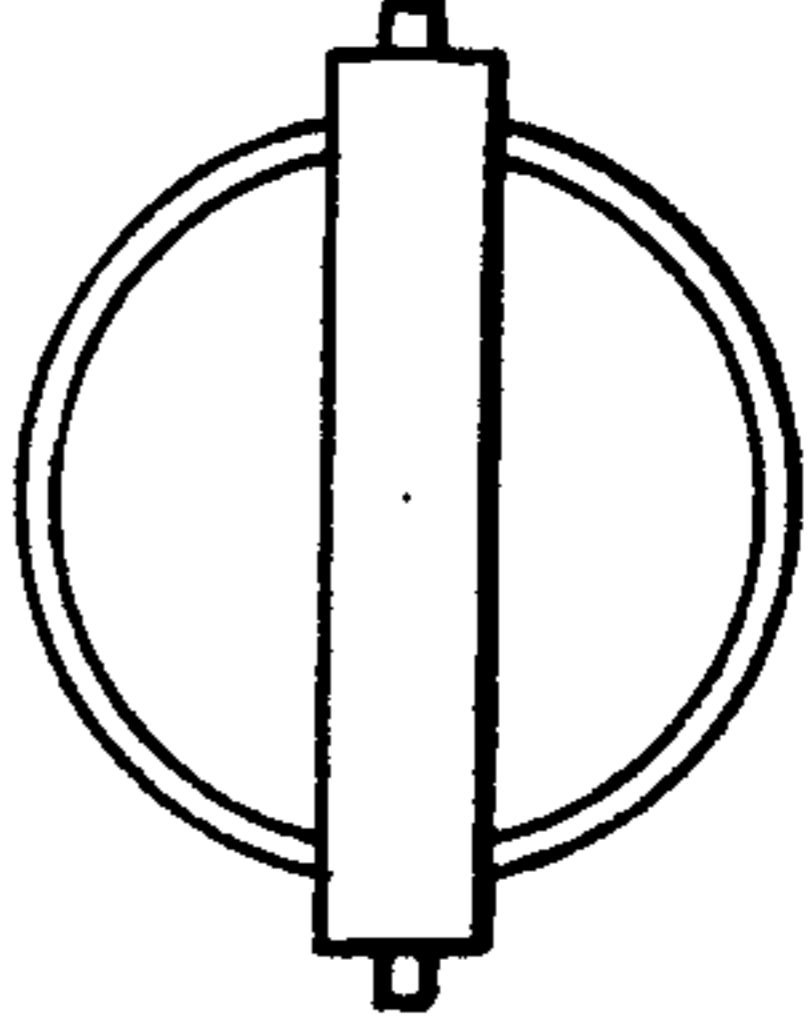


FIG. 5.

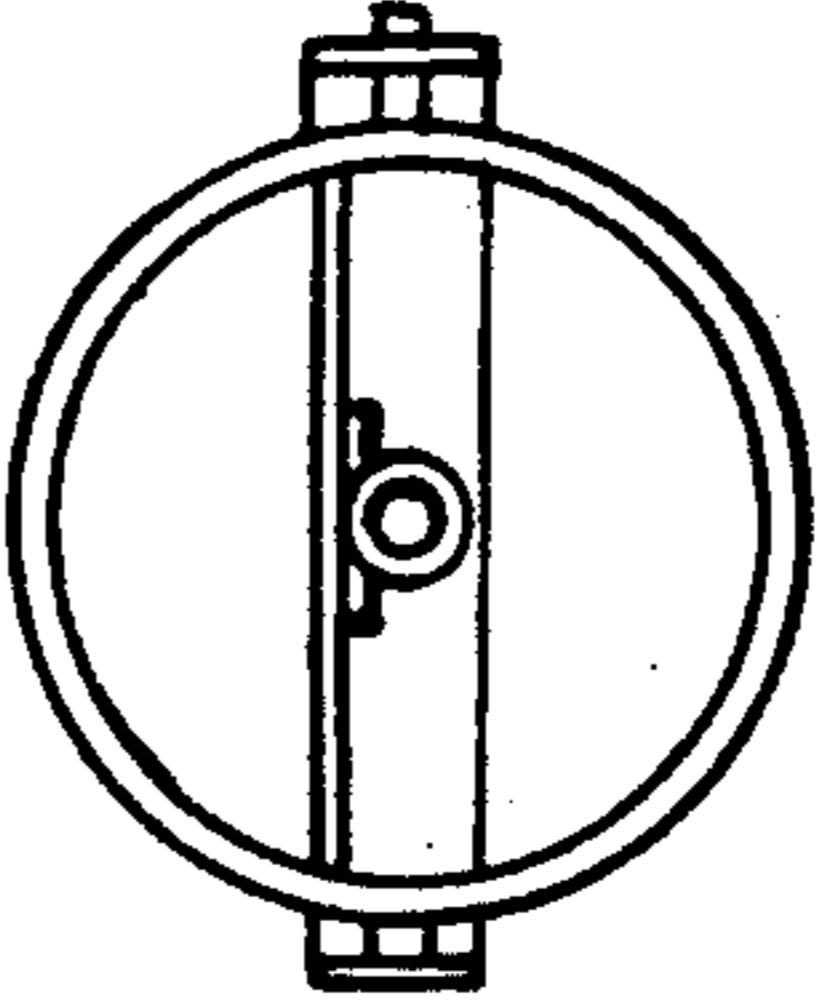


FIG. 4.