

[54] FINISHING SANDER OR SIMILAR ARTICLE

[75] Inventor: Roderick F. Bunyea, Westminster, Md.

[73] Assignee: Black & Decker, Inc., Newark, Del.

[**] Term: 14 Years

[21] Appl. No.: 231,574

[22] Filed: Aug. 11, 1988

[52] U.S. Cl. D8/62

[58] Field of Search D8/61, 62, 67-70; 51/170 R, 170 TL, 170 MT

[56] References Cited

U.S. PATENT DOCUMENTS

D. 286,736 11/1986 Somers D8/62
3,967,417 7/1976 Jurak 51/170 TL

OTHER PUBLICATIONS

ARO Industrial Air Tools catalog, p. 23, second article from top, Orbital Sander Model No. 8448-3.
Makita Catalog (PC-789-500M), pp. 45, 46.

Hitachi Power Tools Catalog, p. 30.
Black & Decker Power Tools Catalog, copyrighted 1984, p. 59.

Primary Examiner—Nelson C. Holtje
Assistant Examiner—J. H. Musgrove
Attorney, Agent, or Firm—Dennis A. Dearing; Charles E. Yocum; John D. Del Ponti

[57] CLAIM

The ornamental design for a finishing sander or similar article, as shown.

DESCRIPTION

FIG. 1 is a left side elevational view of the finishing sander or similar article showing my new design.

FIG. 2 is a right side elevational view thereof.

FIG. 3 is a front elevational view thereof.

FIG. 4 is a rear elevational view thereof.

FIG. 5 is a top plan view thereof.

FIG. 6 is a bottom plan view thereof.

The dust collection bag in FIGS. 1, 2 and 4-6 has been shaded for fabrics which is continuous over the surface of the bag. The handle in FIGS. 1-5 of the sander has been shaded to represent a textured surface.

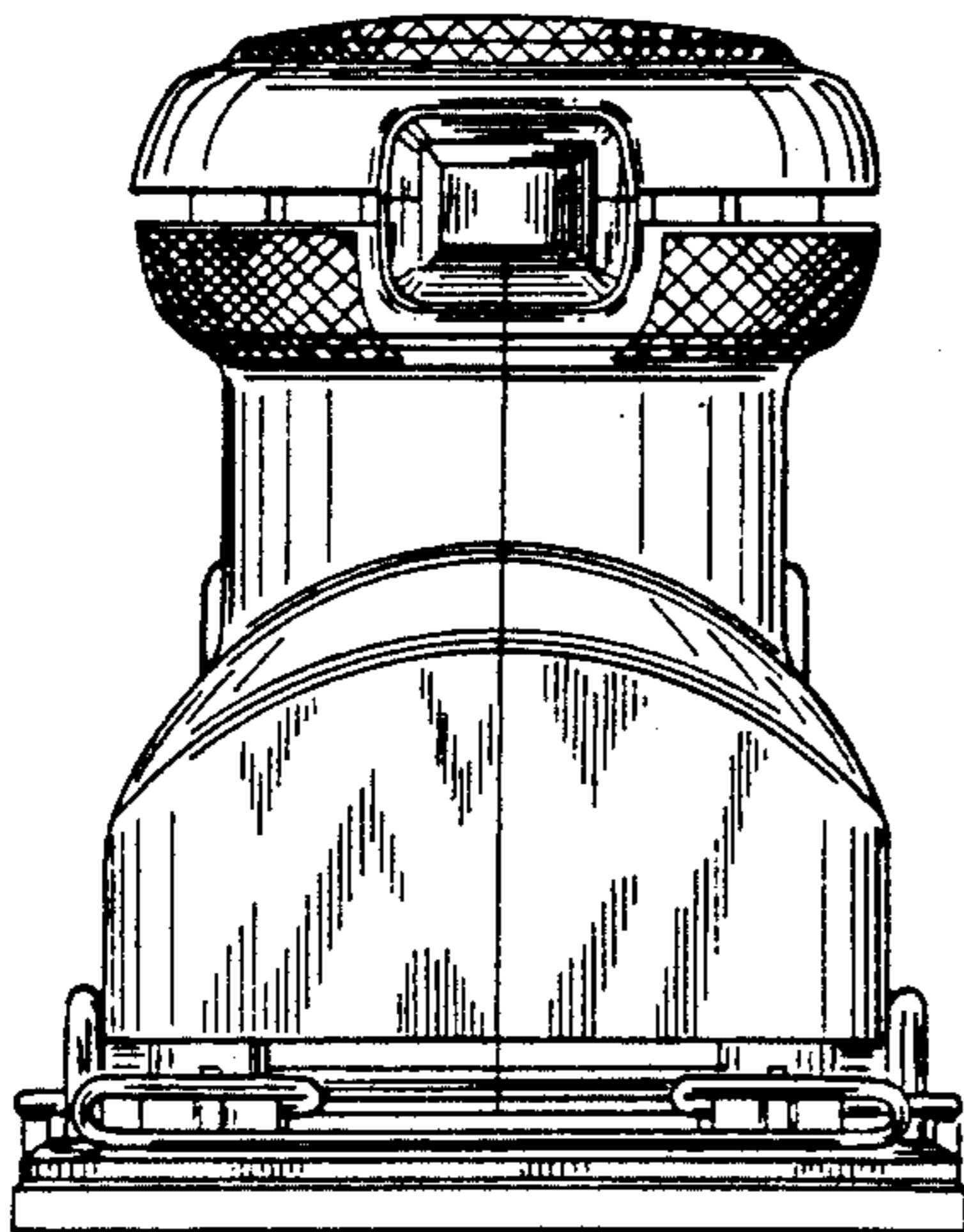
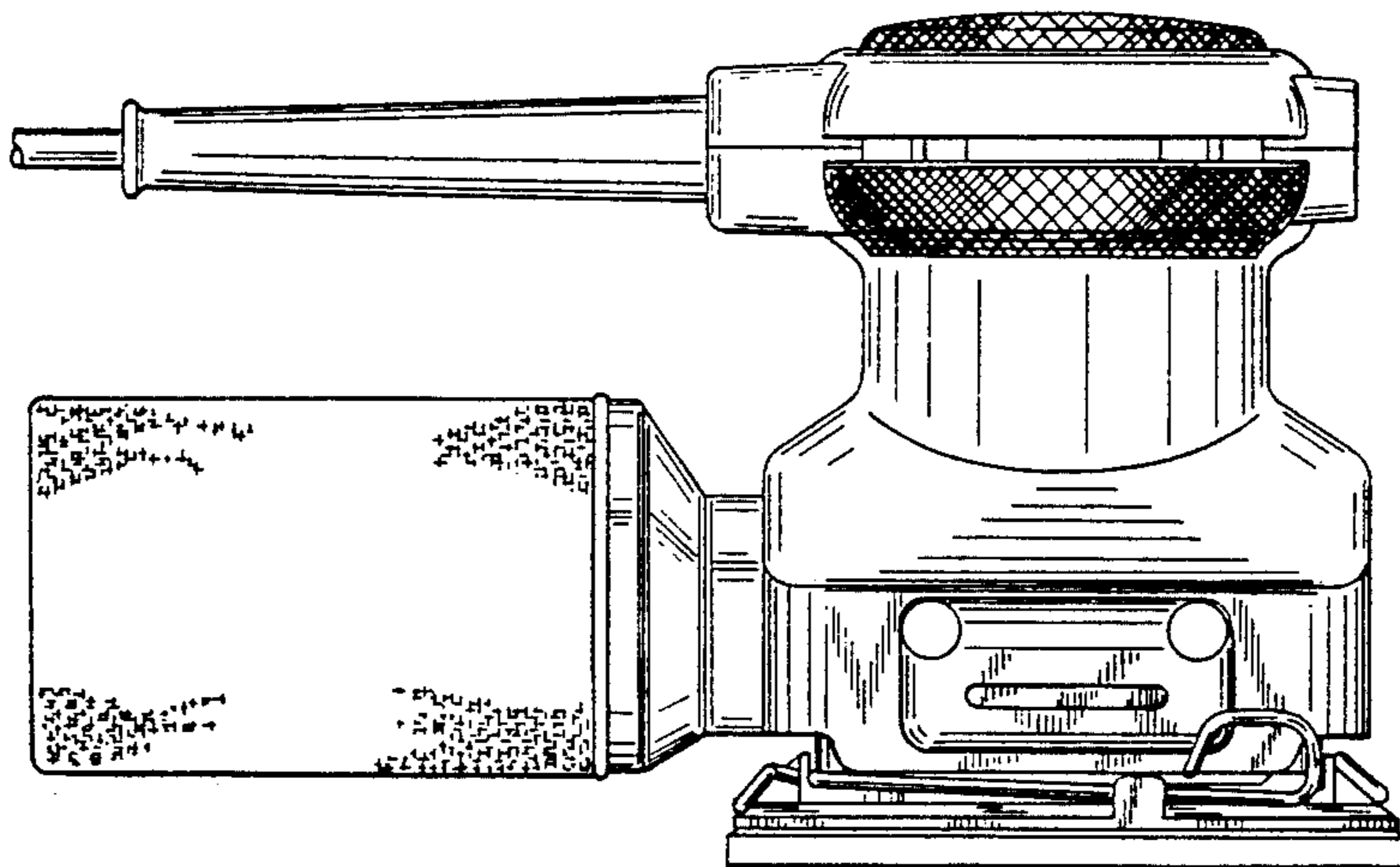


FIG. 1

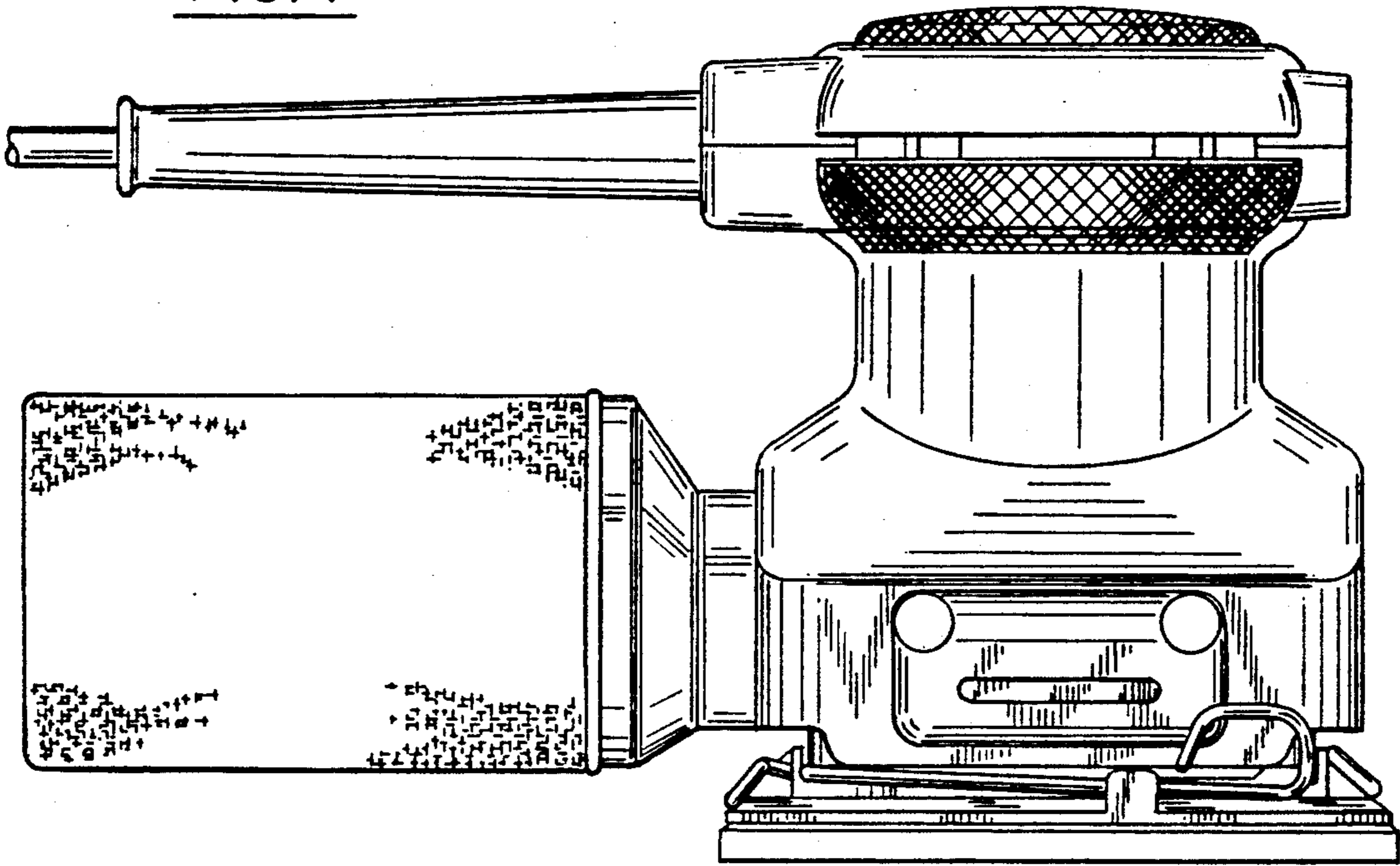
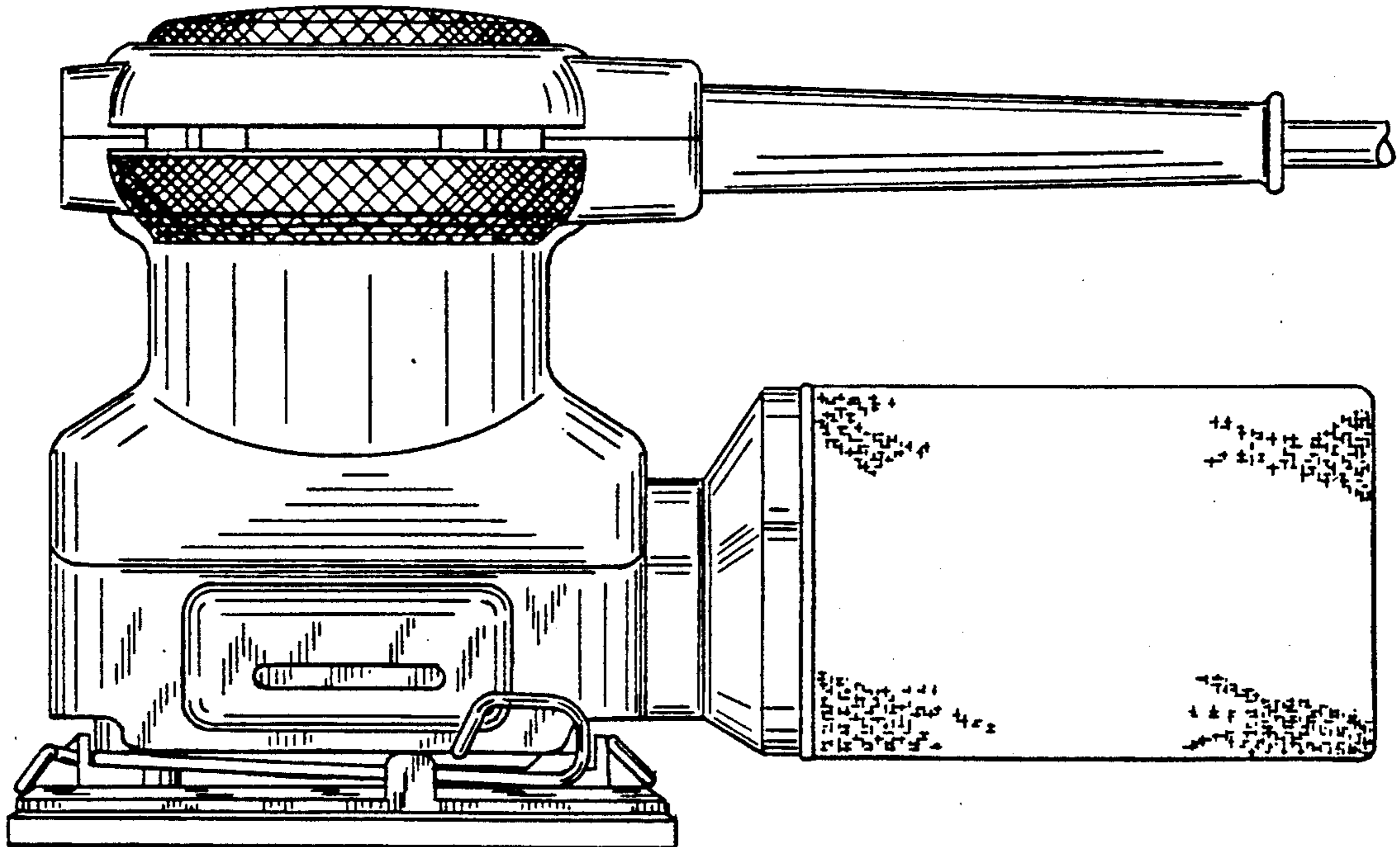


FIG. 2



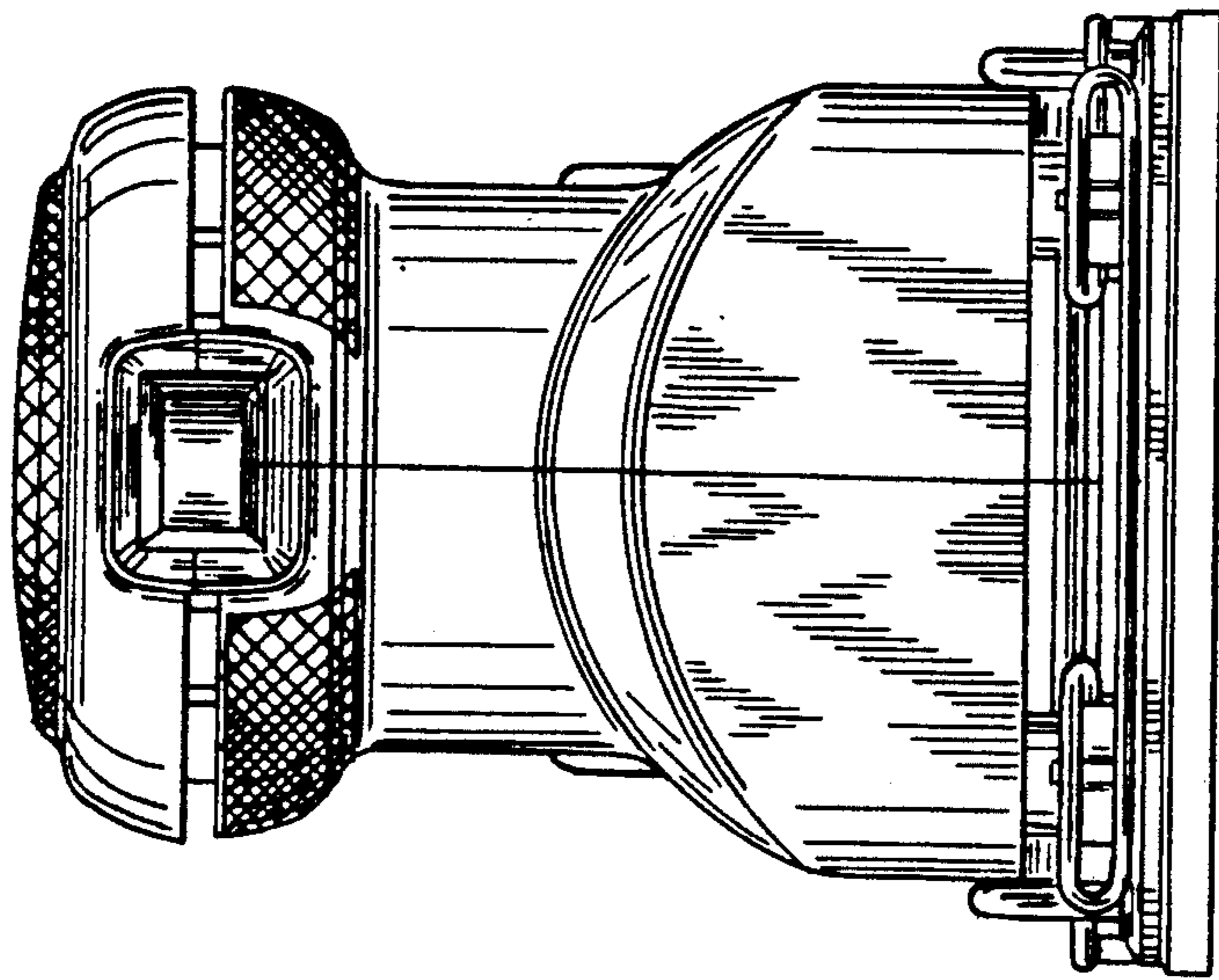


FIG. 3

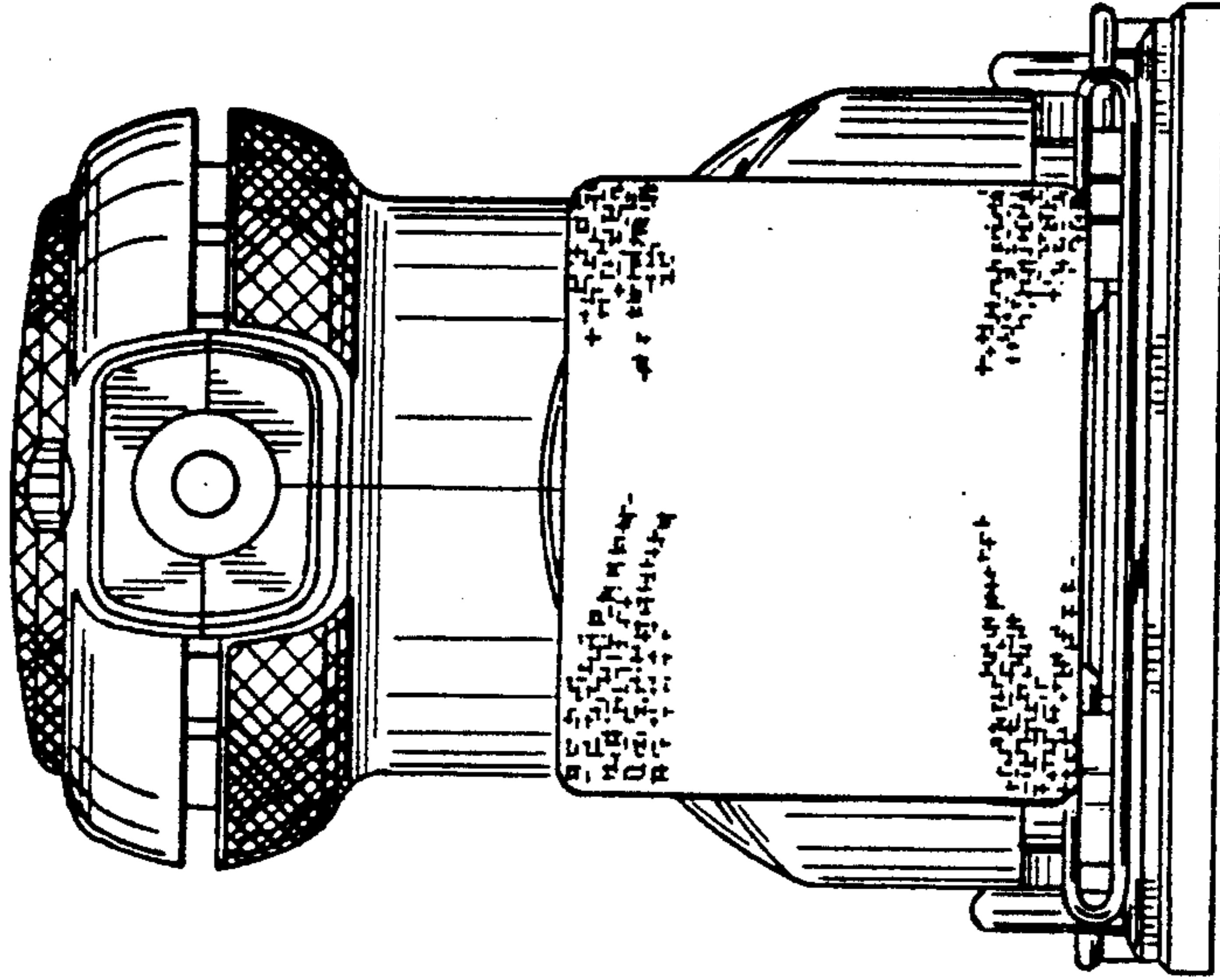


FIG. 4

FIG. 5

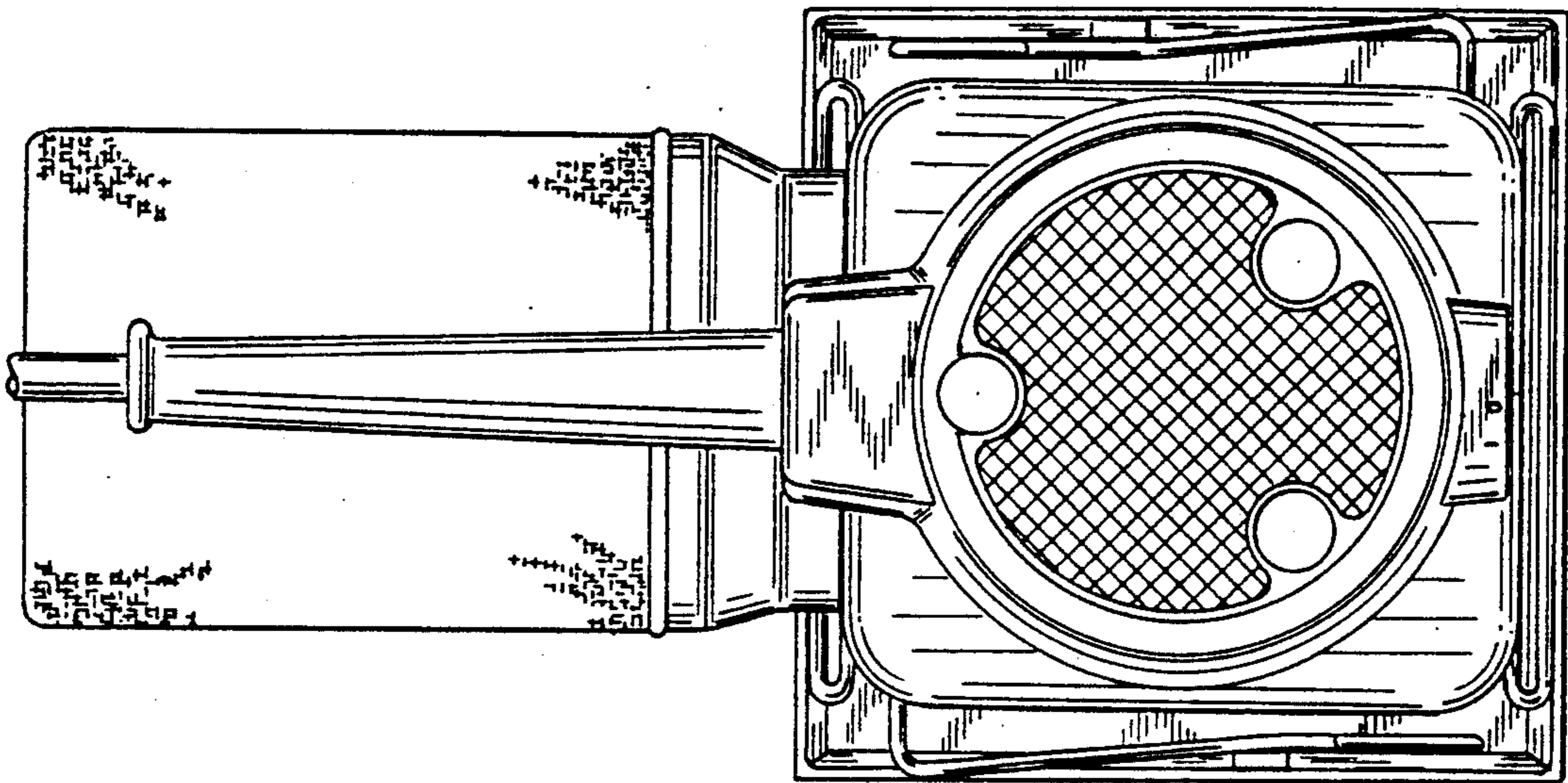


FIG. 6

