

[54] COMBINED QUICK RELEASE HOLDER AND SLIP RESISTANT GRIP FOR FIRE HOSES

[75] Inventors: Richard J. Everding, Evansville; David R. Lancaster, Casper, both of Wyo.

[73] Assignee: Amoco Corporation, Chicago, Ill.

[**] Term: 14 Years

[21] Appl. No.: 550,712

[22] Filed: Jul. 10, 1990

Related U.S. Application Data

[62] Division of Ser. No. 73,424, Jul. 15, 1987, Pat. No. Des. 312,377.

[52] U.S. Cl. D8/14; D8/107; D8/300

[58] Field of Search D8/14, 107, 300, 303, D8/DIG. 7; D3/30.1, 99; 294/15, 92; 254/389

[56] References Cited

U.S. PATENT DOCUMENTS

| | | | |
|------------|--------|-------------------------|--------|
| D. 267,520 | 1/1983 | Main | D8/14 |
| D. 301,962 | 7/1989 | Huang | D8/107 |
| 2,652,278 | 9/1953 | Allen | 294/15 |
| 3,520,570 | 7/1970 | Christopher et al. | 294/92 |
| 4,655,492 | 4/1987 | Landry | 294/92 |
| 4,836,595 | 6/1989 | DiCarlo | 294/15 |

Primary Examiner—B. J. Bullock
Attorney, Agent, or Firm—Thomas W. Tolpin; William H. Magidson; Ralph C. Medhurst

[57] CLAIM

The ornamental design for a combined quick release holder and slip resistant grip for fire hoses, as shown.

DESCRIPTION

FIG. 1 is a perspective view of a combined quick release holder and slip resistant grip for fire hoses showing our new design;

FIG. 2 is a left side view thereof;

FIG. 3 is a front view thereof;

FIG. 4 is a right side view thereof;

FIG. 5 is a back view thereof;

FIG. 6 is a top plan view thereof;

FIG. 7 is a bottom view thereof.

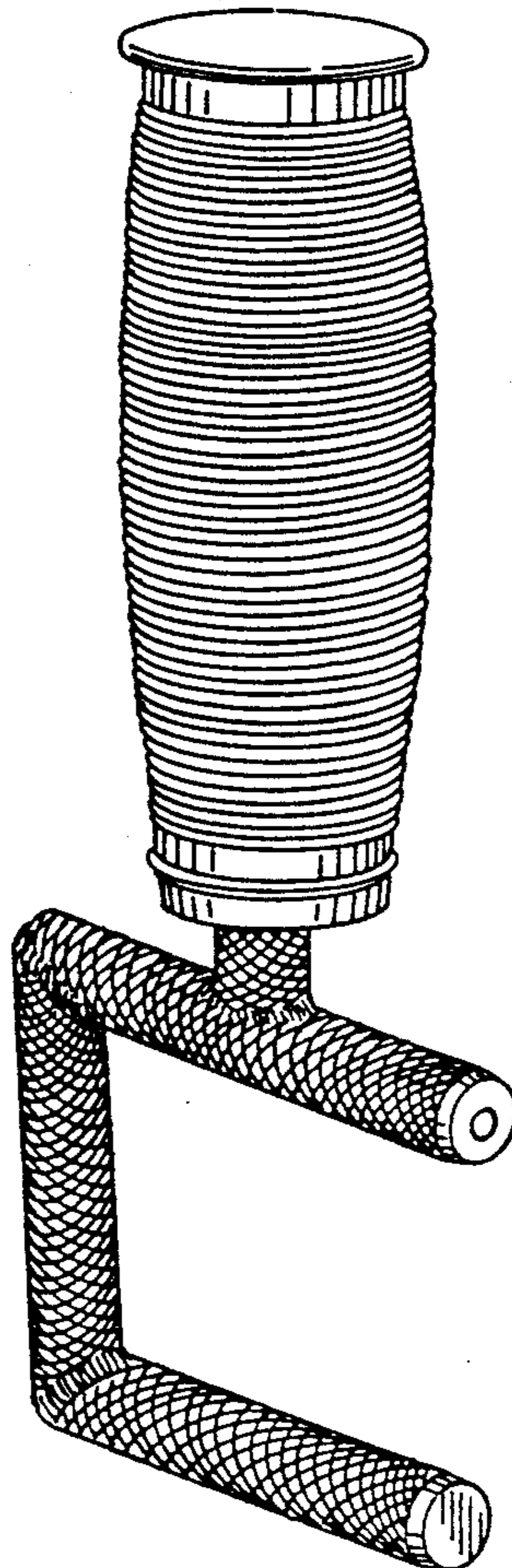


FIG-3-

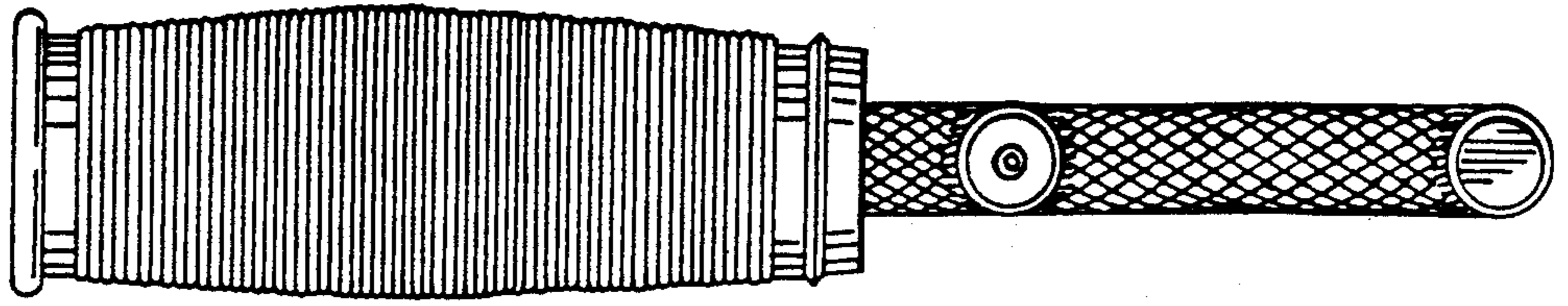


FIG-2-

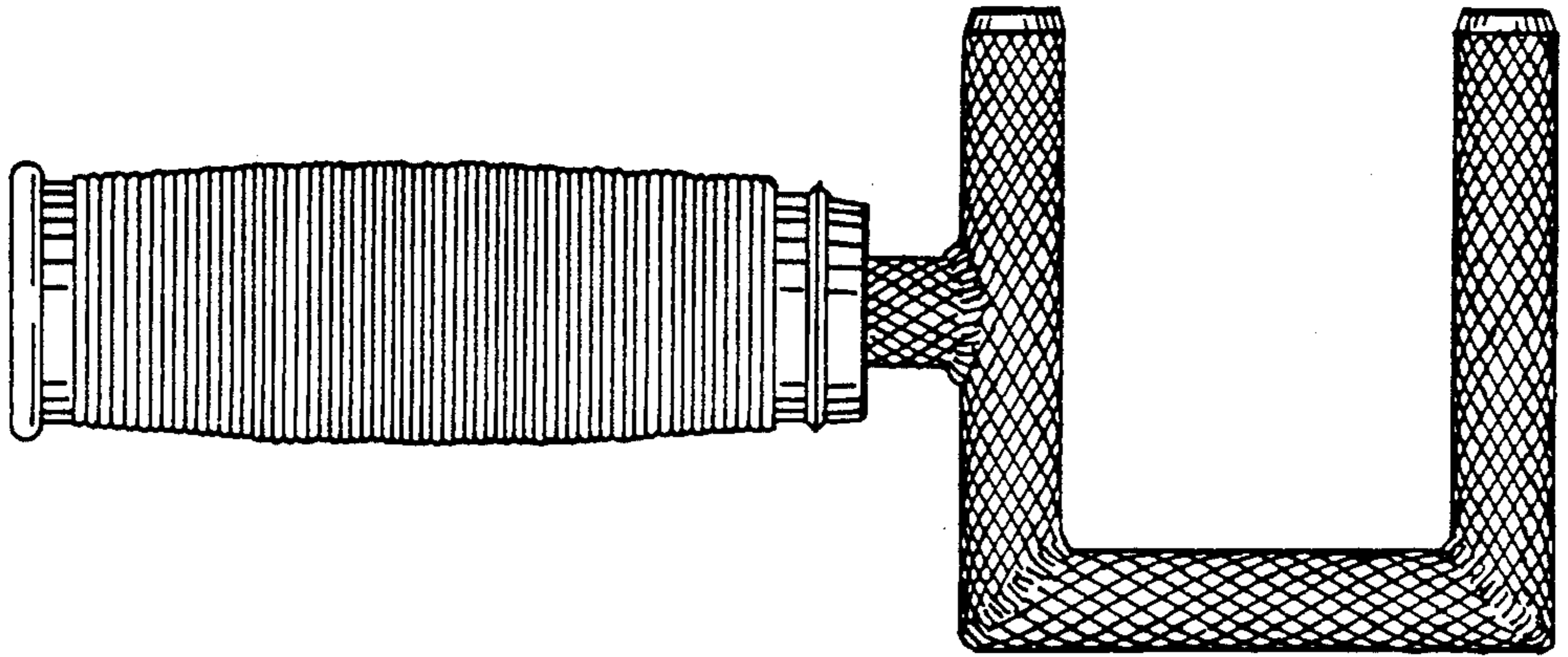


FIG-1-

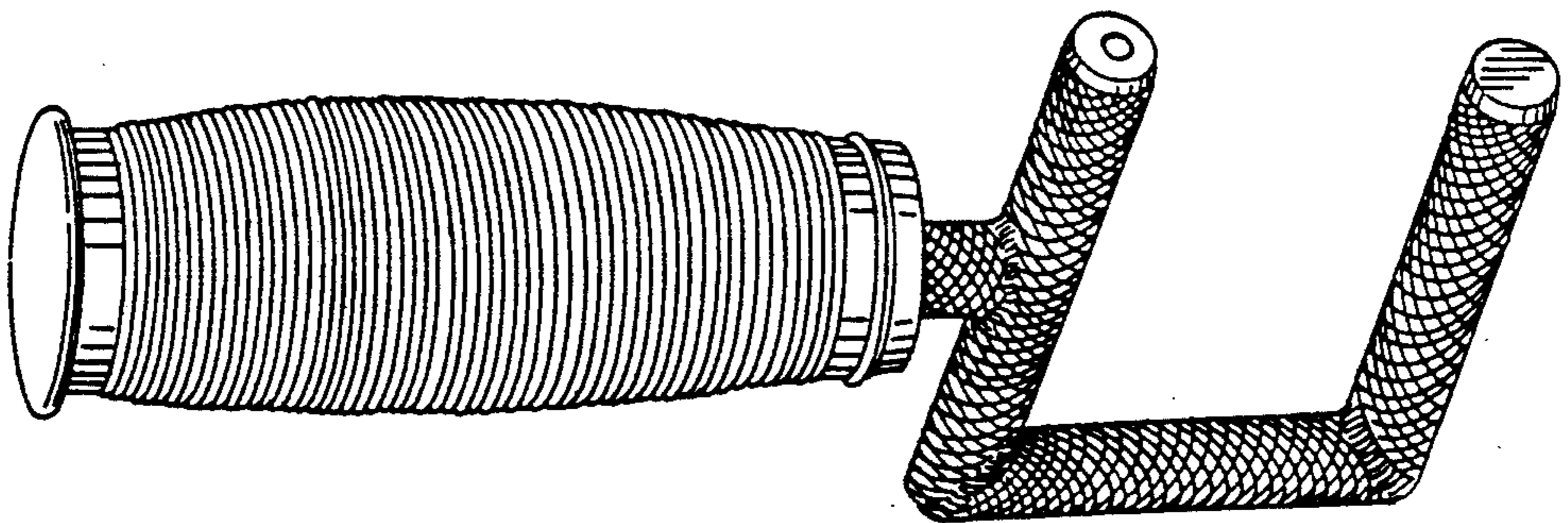


FIG-4-

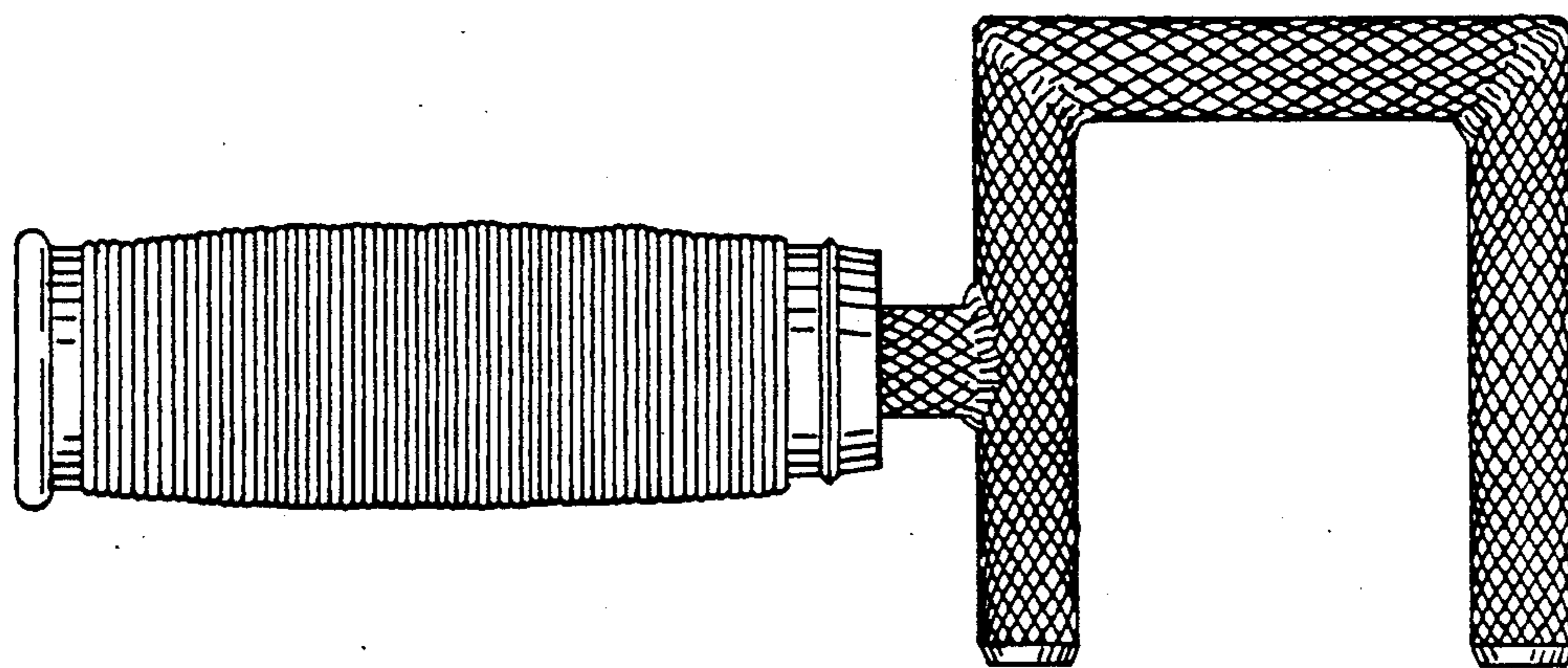


FIG-5-

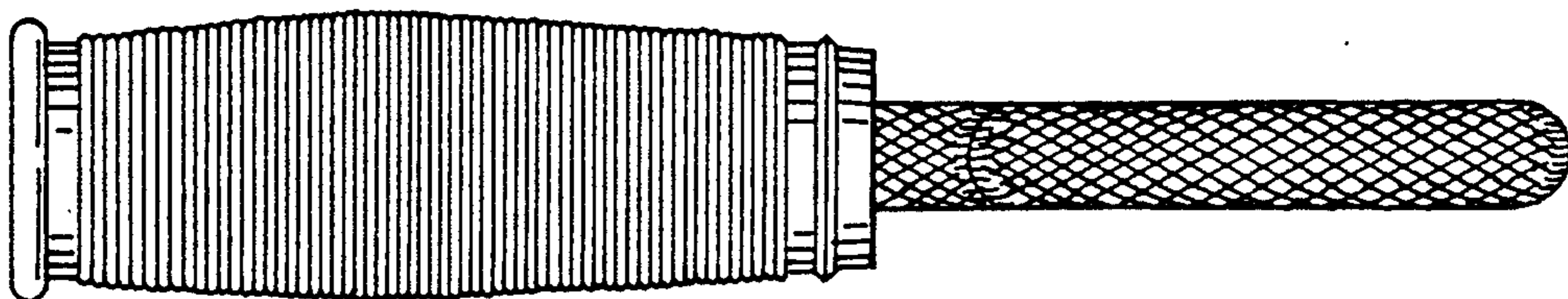


FIG-6-



FIG-7-

