

[54] VALVE STEM SEAL REPLACEMENT TOOL
[76] Inventor: Alvin Johnson, 69 Maplewood Ave.,
Atlantic Highlands, N.J. 07716
[**] Term: 14 Years
[21] Appl. No.: 195,180
[22] Filed: May 18, 1988
[52] U.S. Cl. D8/14
[58] Field of Search D8/14, 71; 285/338,
285/345, 375, 381, 15

2,546,348 3/1951 Schuman 285/15
2,677,557 5/1954 Worel 285/15
4,437,686 3/1984 Wingate 285/15 X

Primary Examiner—Bruce W. Dunkins
Assistant Examiner—Monica Hannon
Attorney, Agent, or Firm—Jerry T. Kearns

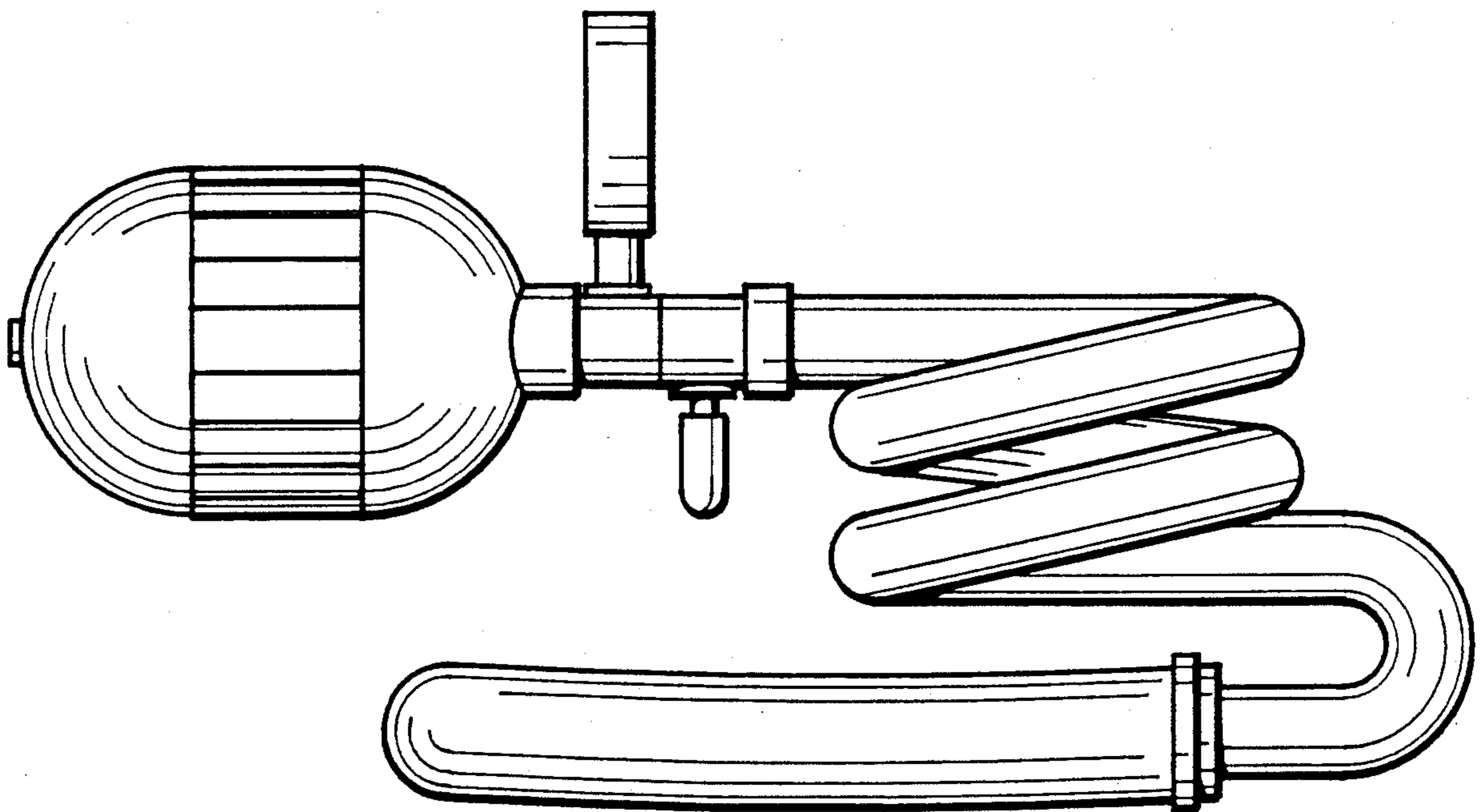
[57] CLAIM

The ornamental design for a valve stem seal replacement tool, as shown and described.

DESCRIPTION

FIG. 1 is a front elevational view of a valve stem seal replacement tool showing my new design; FIG. 2 is a rear elevational view thereof; FIG. 3 is a left side elevational view thereof; FIG. 4 is a right side elevational view thereof; FIG. 5 is a top plan view thereof; and, FIG. 6 is a bottom plan view thereof.

[56] References Cited
U.S. PATENT DOCUMENTS
D. 212,615 11/1968 Wotton D8/14
984,188 2/1911 Brown 285/16 X
1,460,208 6/1923 Mohn 285/338 X
1,877,706 9/1932 Wahl 285/375 X
1,897,949 2/1933 Bateman 285/375



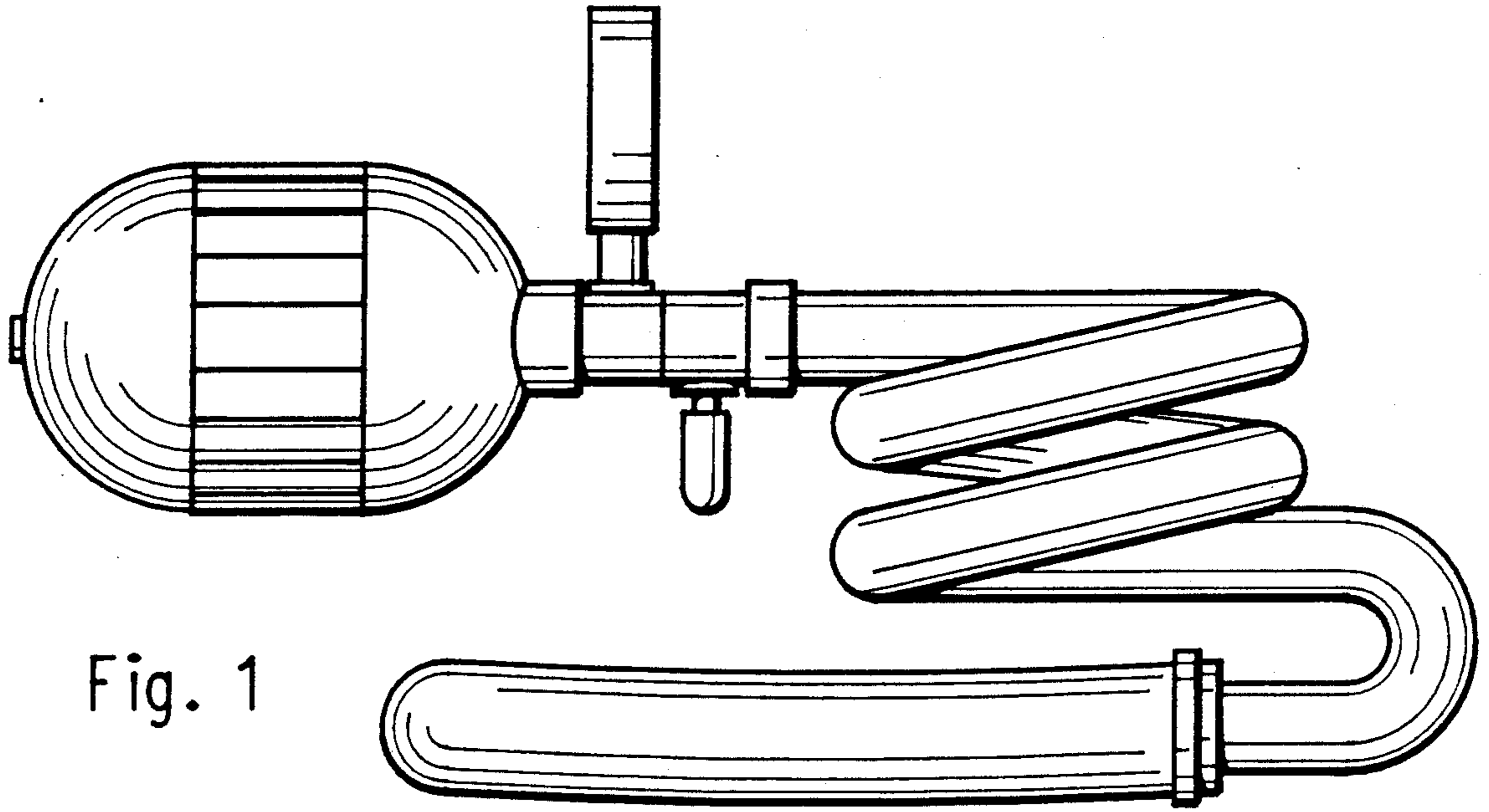


Fig. 1

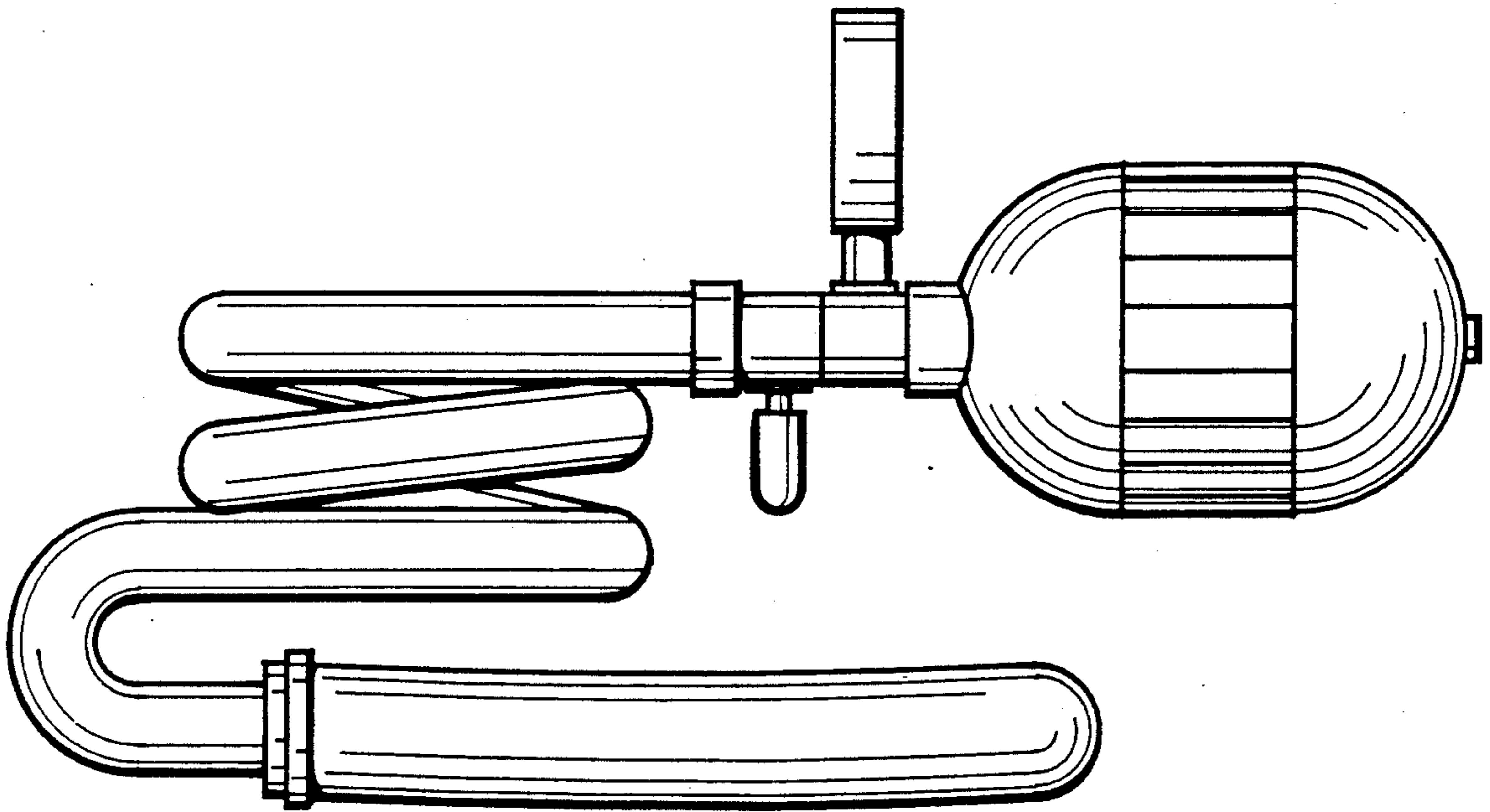


Fig. 2

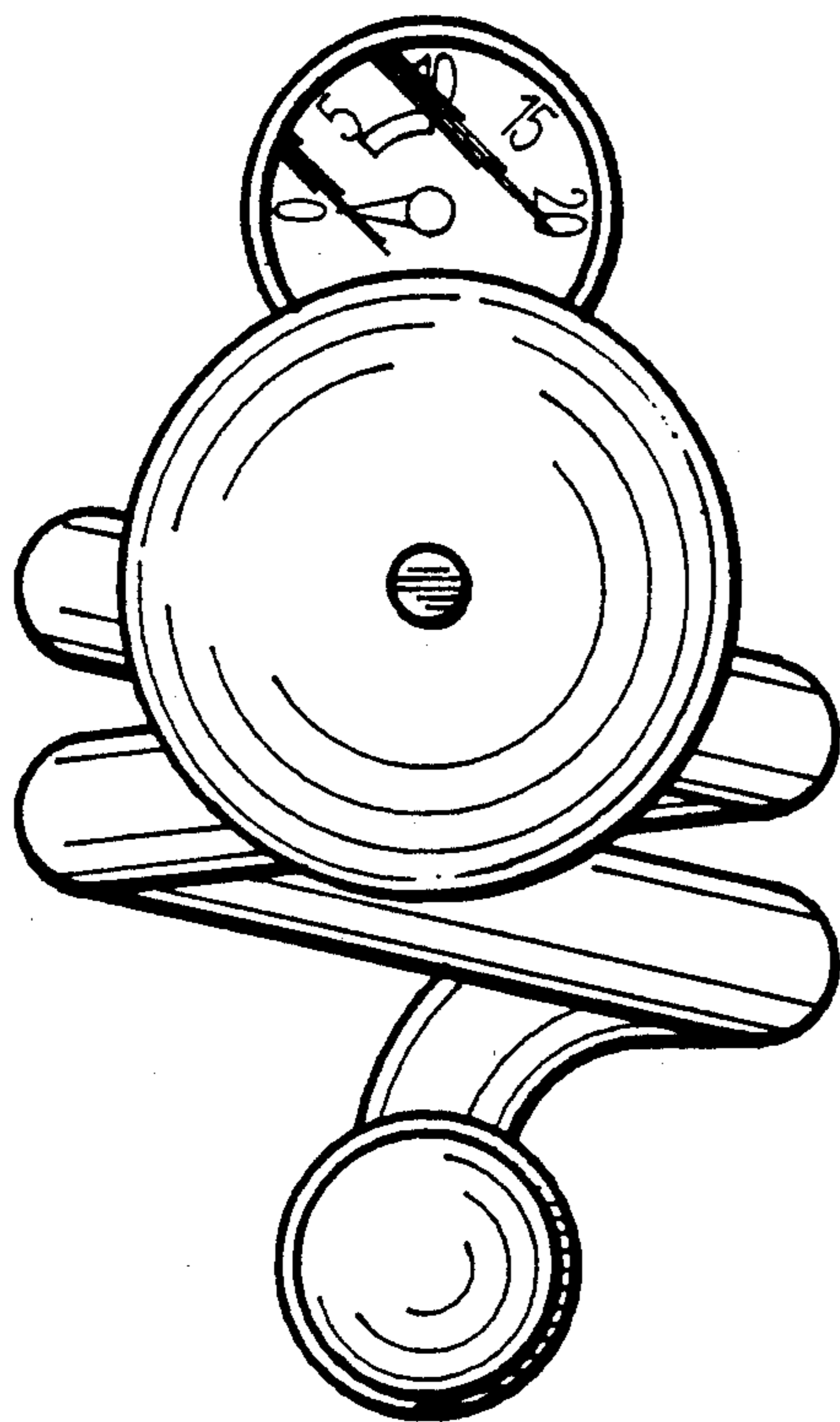


Fig. 3

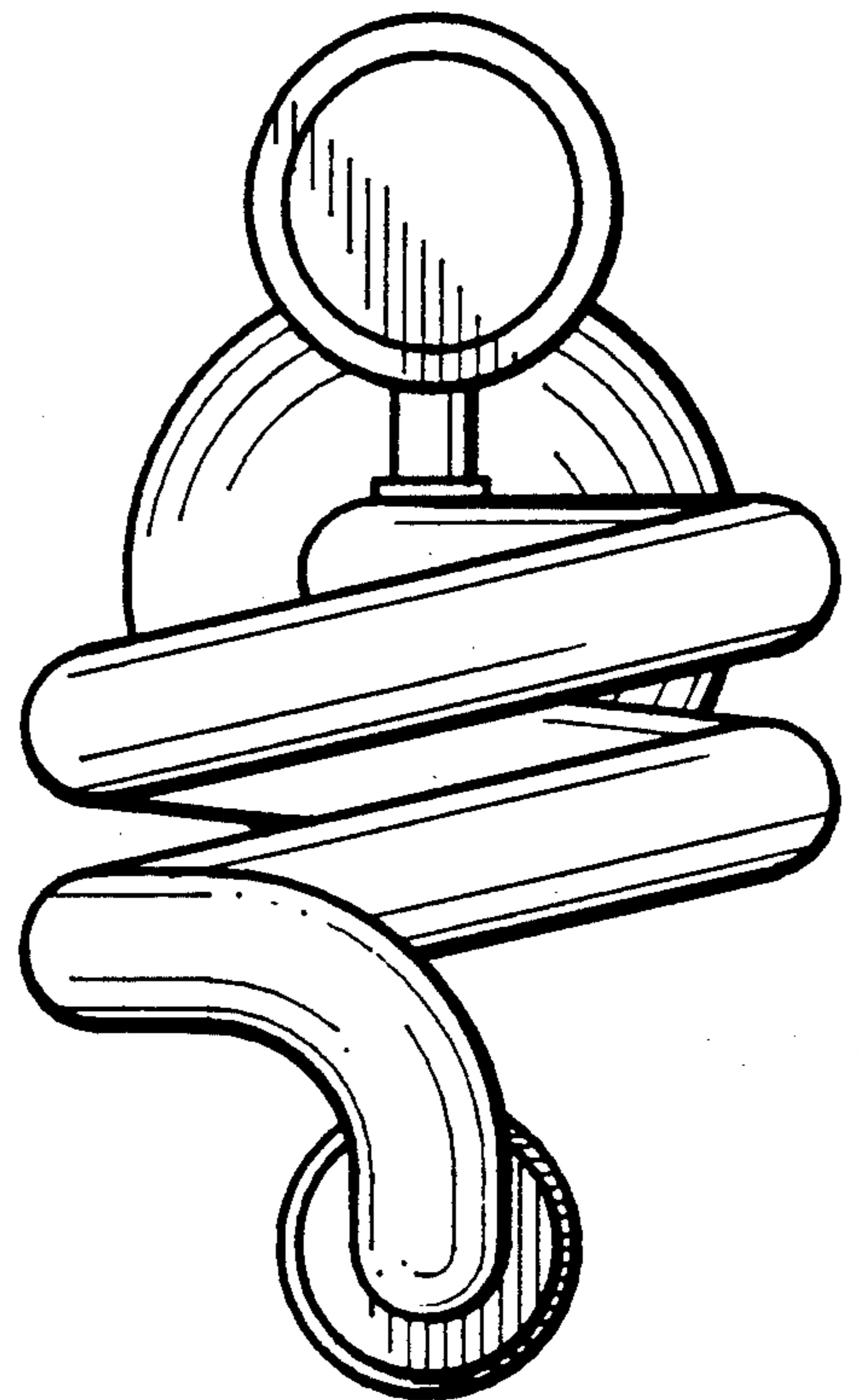


Fig. 4

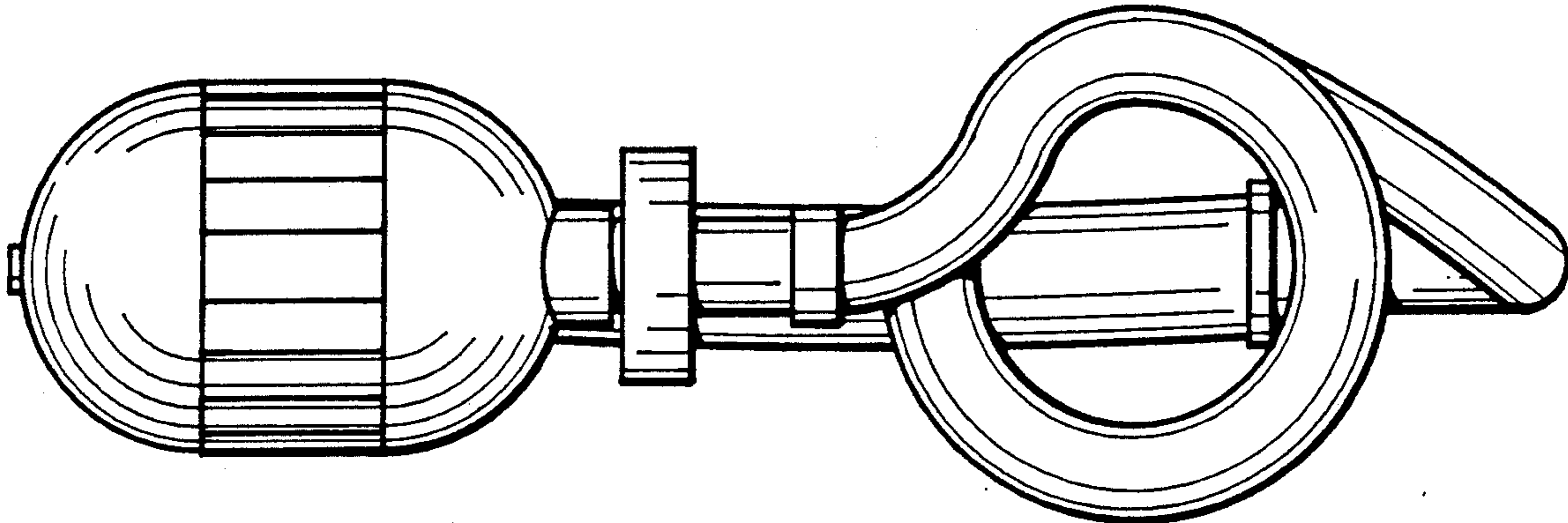


Fig. 5

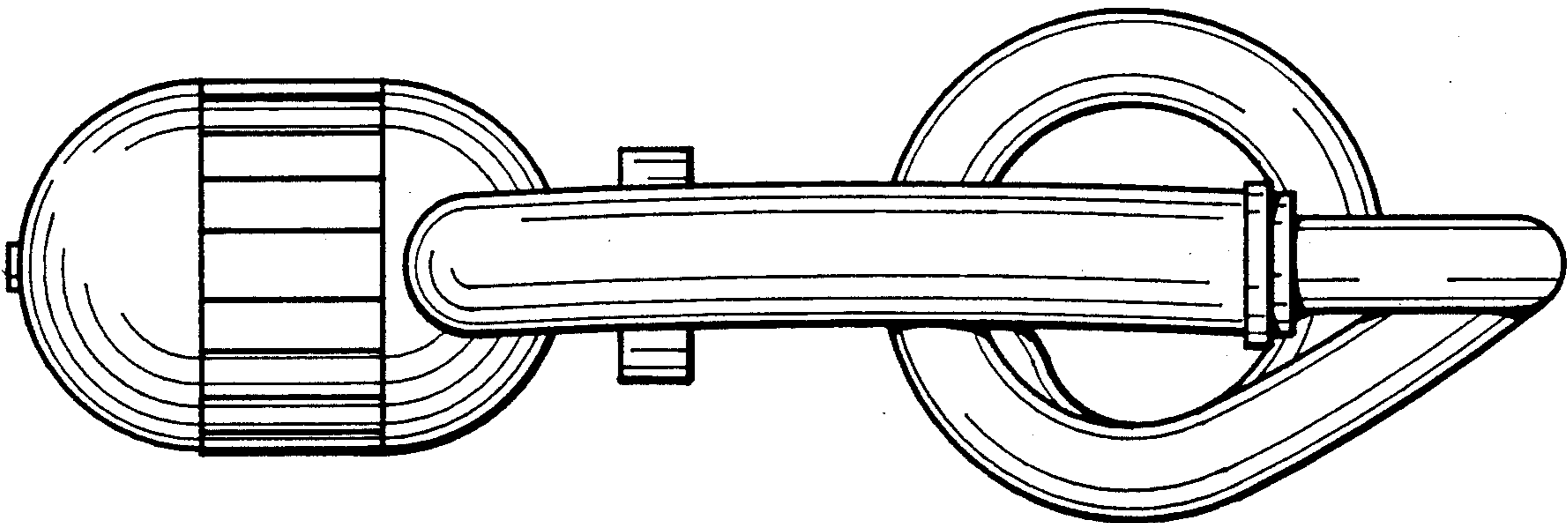


Fig. 6