

# United States Patent [19]

Lent

[11] Patent Number: Des. 317,241

[45] Date of Patent: \*\* Jun. 4, 1991

[54] VALVE GUIDE TOOL

[76] Inventor: Trevor Lent, Rte. 6, Box 31, Mount Olive, N.C.

[\*\*] Term: 14 Years

[21] Appl. No.: 156,944

[22] Filed: Feb. 18, 1988

[52] U.S. Cl. .... D8/14

[58] Field of Search ..... D8/5, 11, 14, 21, 354, D8/71, 310; 29/256; 81/55; 7/143, 100, 170

[56] **References Cited**

**U.S. PATENT DOCUMENTS**

D. 290,581 6/1987 Hughes ..... D8/21 X  
D. 309,244 7/1990 Reed ..... D8/14  
2,802,382 8/1957 Adams et al. .... D8/21  
3,290,597 9/1966 Neff et al. .... D8/21 X

3,740,814 6/1973 Marshall ..... D8/14  
3,957,096 5/1976 Rodman ..... D8/105 X  
4,785,692 11/1988 Holmes ..... D8/14 X

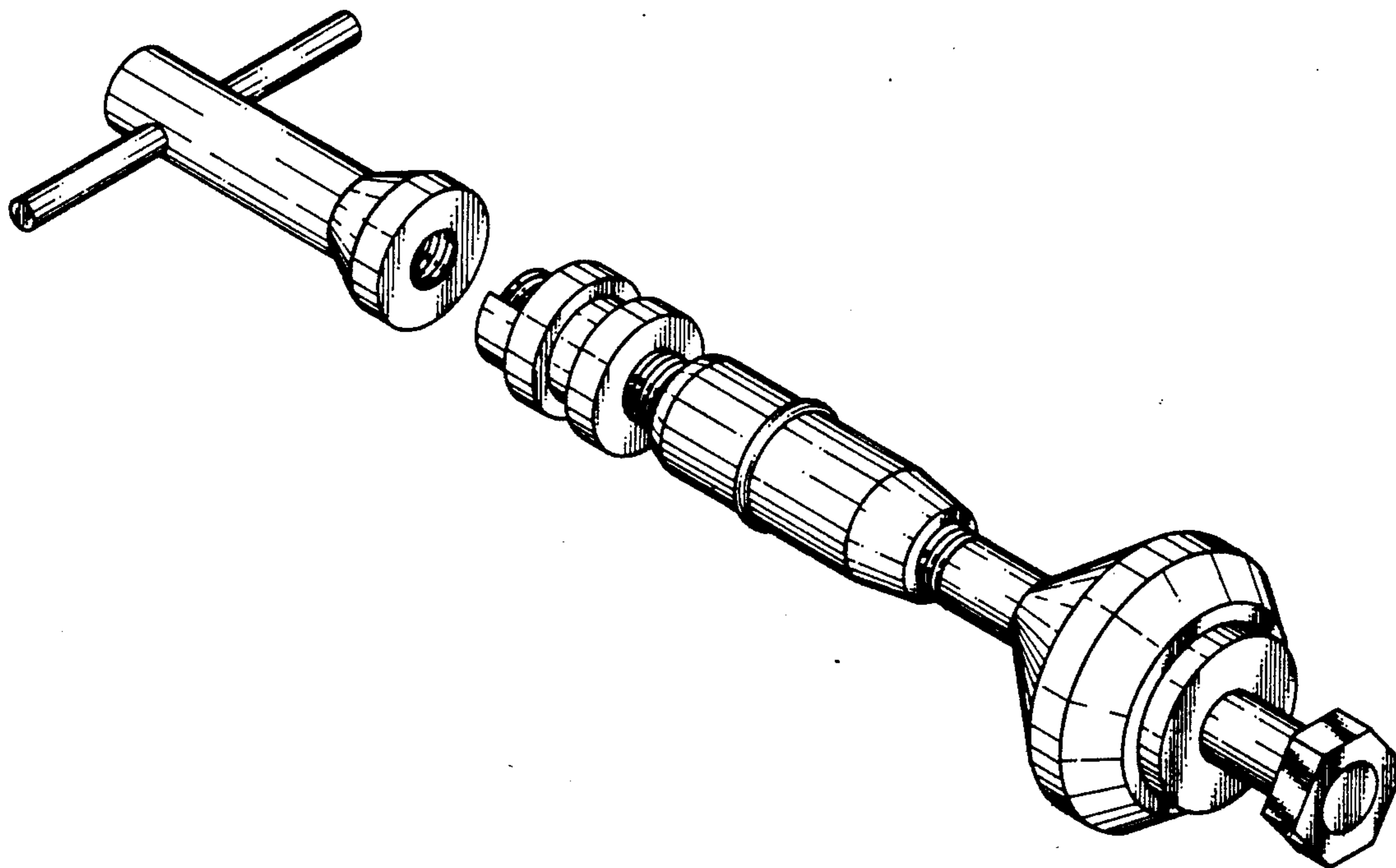
*Primary Examiner*—Bruce W. Dunkins  
*Assistant Examiner*—M. Hannon  
*Attorney, Agent, or Firm*—L. Arnold Thaxton

[57] **CLAIM**

The ornamental design for a valve guide tool, as shown and described.

**DESCRIPTION**

FIG. 1 is a perspective view of a valve guide tool embodying my new design in an exploded condition; FIG. 2 is a side elevational view thereof in an exploded condition; FIG. 3 is a top plan view thereof; and FIG. 4 is a bottom plan view thereof.



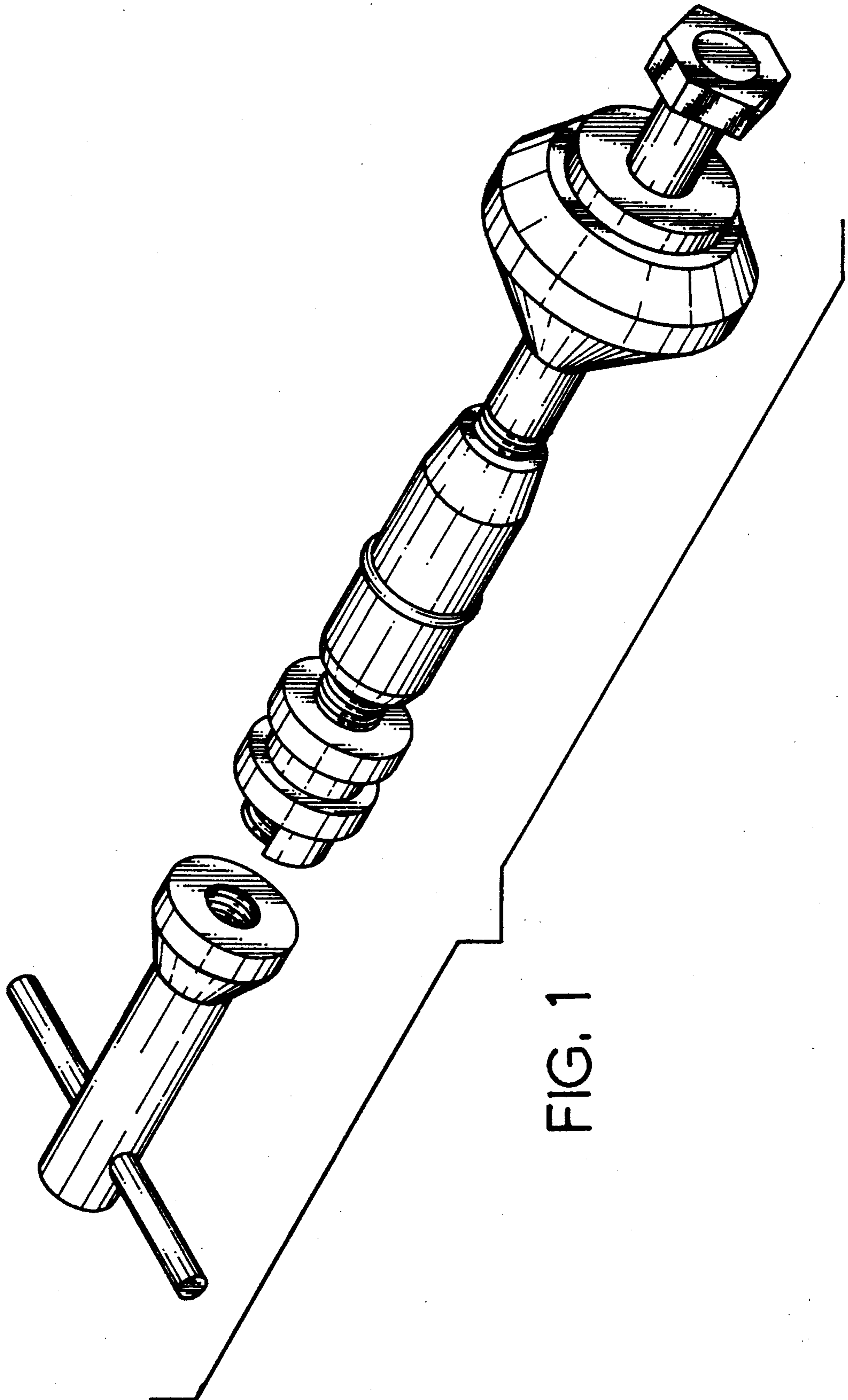


FIG. 1

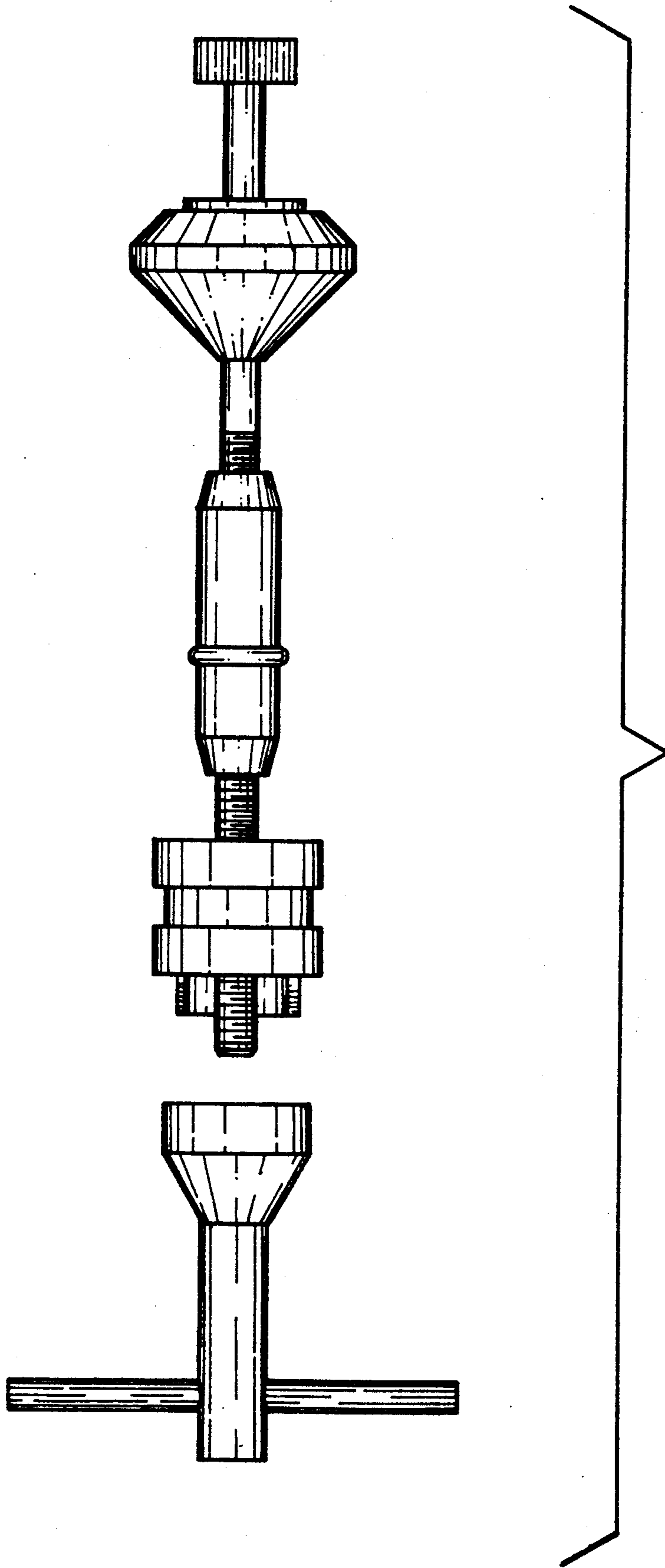


FIG. 2

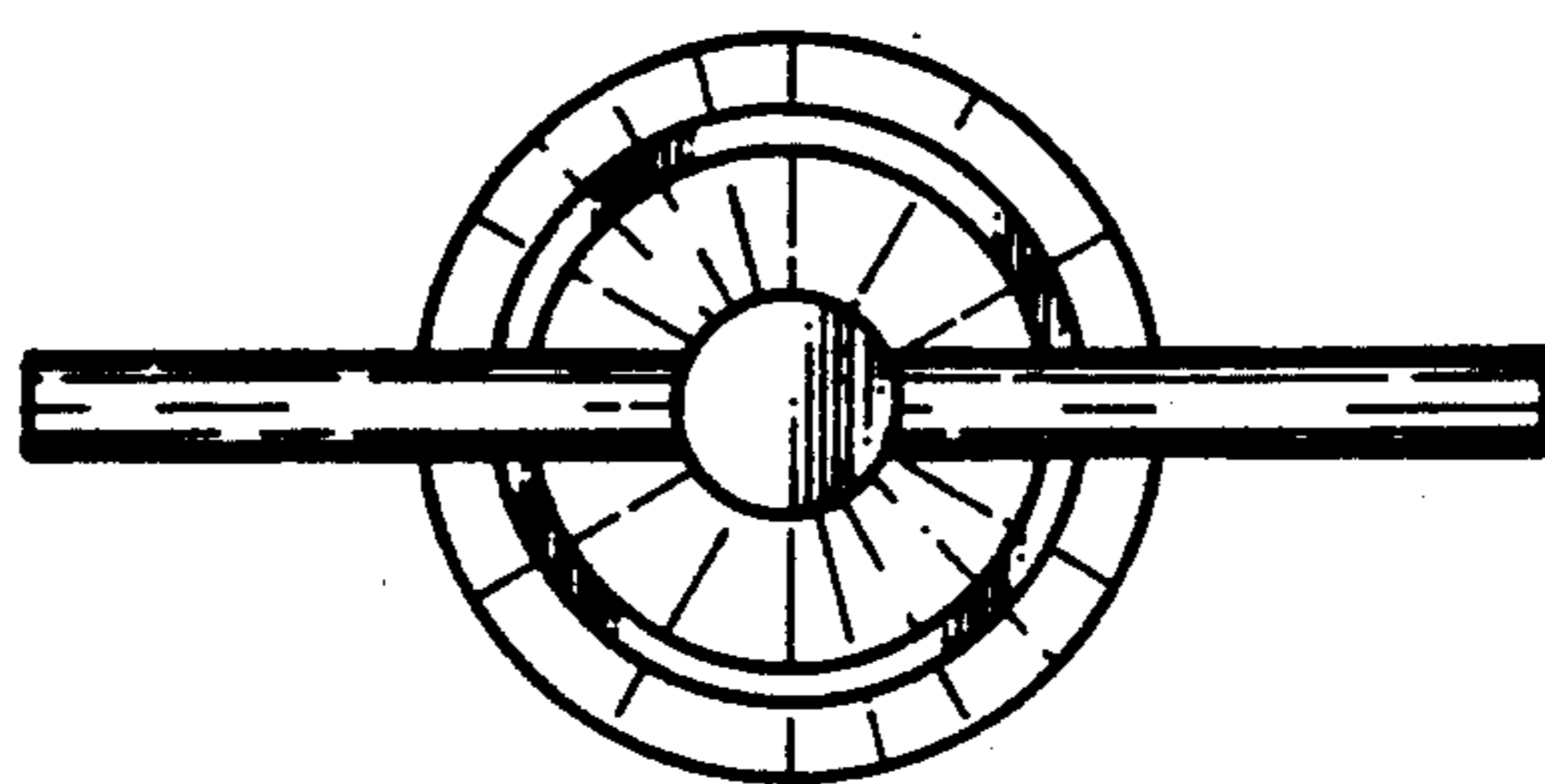


FIG. 3

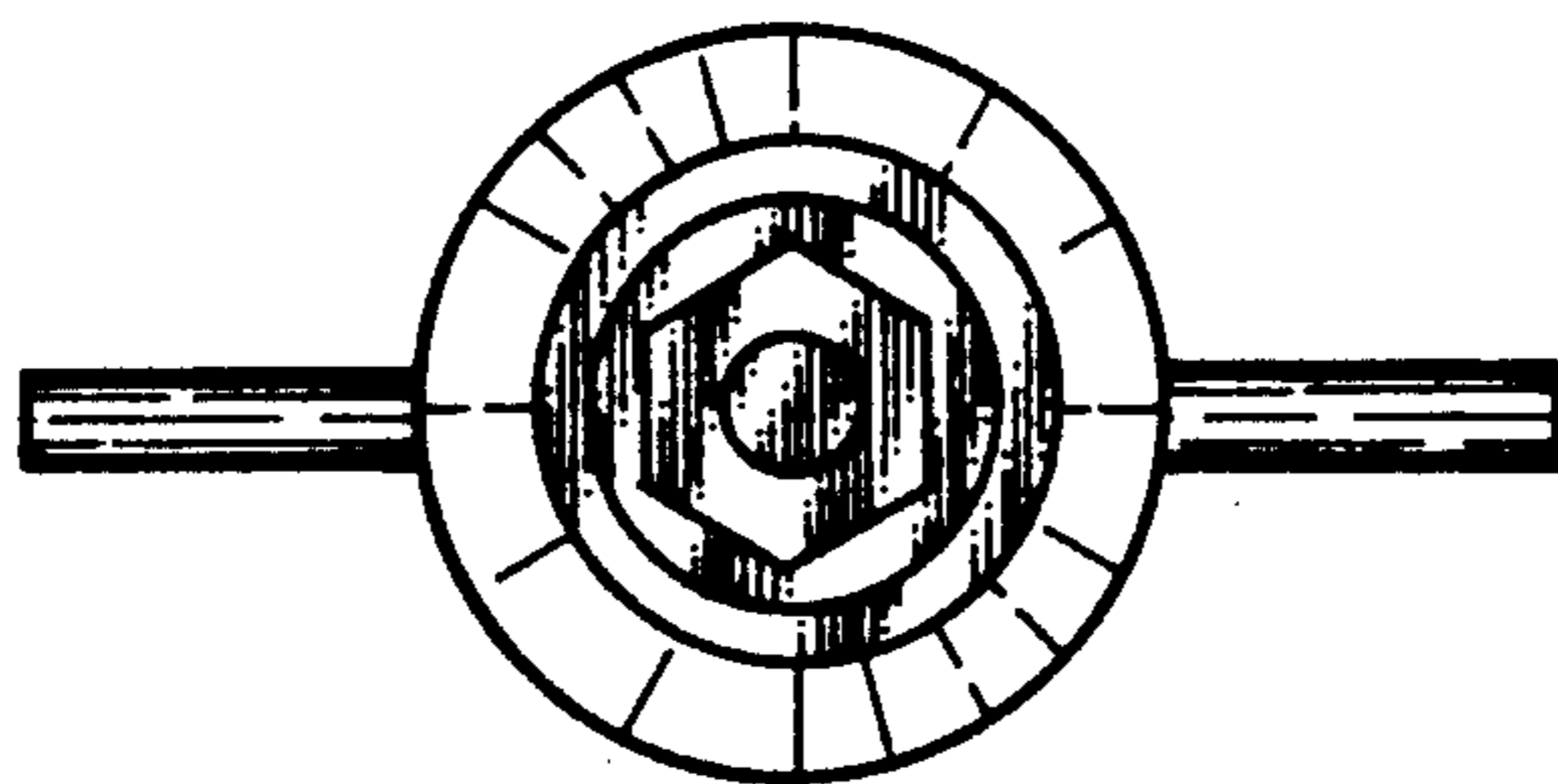


FIG. 4