

[54] FOOD STORAGE COOLER

[75] Inventors: John A. Bridges, Nashville; Richard D. Booten, Brentwood, both of Tenn.

[73] Assignee: Aladdin Industries, Inc., Nashville, Tenn.

[\*\*] Term: 14 Years

[21] Appl. No.: 295,019

[22] Filed: Jan. 9, 1989

[52] U.S. Cl. .... D7/605

[58] Field of Search ..... D7/605; 62/457.1, 457.7; 220/412, DIG. 9; D3/30.1

[56] References Cited

U.S. PATENT DOCUMENTS

- D. 195,104 4/1963 Piker ..... D7/605
- D 197,814 3/1964 Piker ..... D7/605

Primary Examiner—Bernard Ansher

Assistant Examiner—Terry A. Pfeffer  
Attorney, Agent, or Firm—Sandler, Greenblum & Bernstein

[57] CLAIM

The ornamental design for food storage cooler, as shown and described.

DESCRIPTION

FIG. 1 is a front elevational view of a food storage cooler showing our new design;  
 FIG. 2 is a bottom plan view of the lid portion shown separately for clarity of illustration;  
 FIG. 3 is a top plan view of the base portion shown separately for clarity of illustration;  
 FIG. 4 is a left side elevational view thereof with the handle off to the front;  
 FIG. 5 is an exploded right side elevational view thereof;  
 FIG. 6 is a top plan view of the lid portion shown separately for clarity of illustration; and  
 FIG. 7 is a bottom plan view thereof.

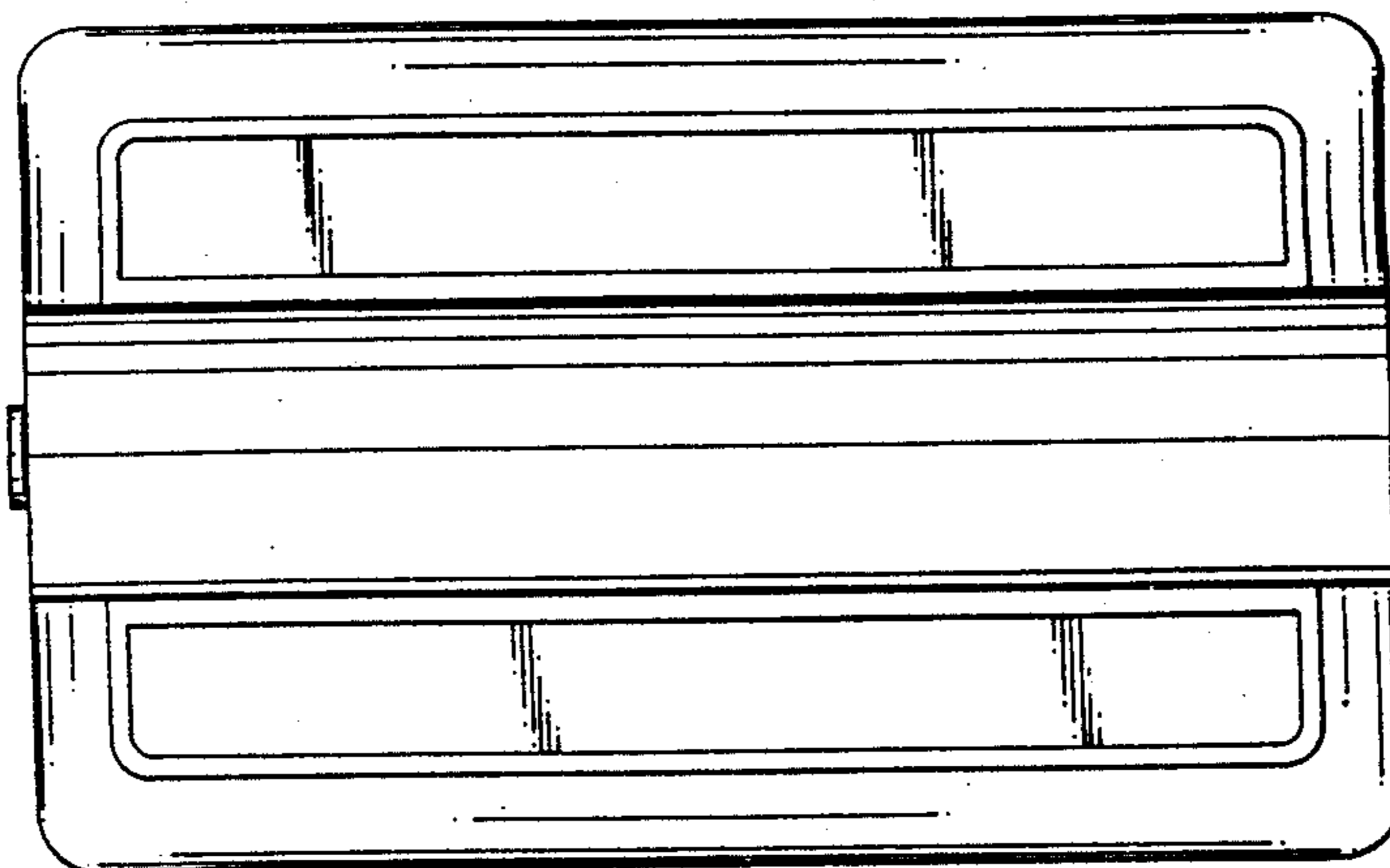
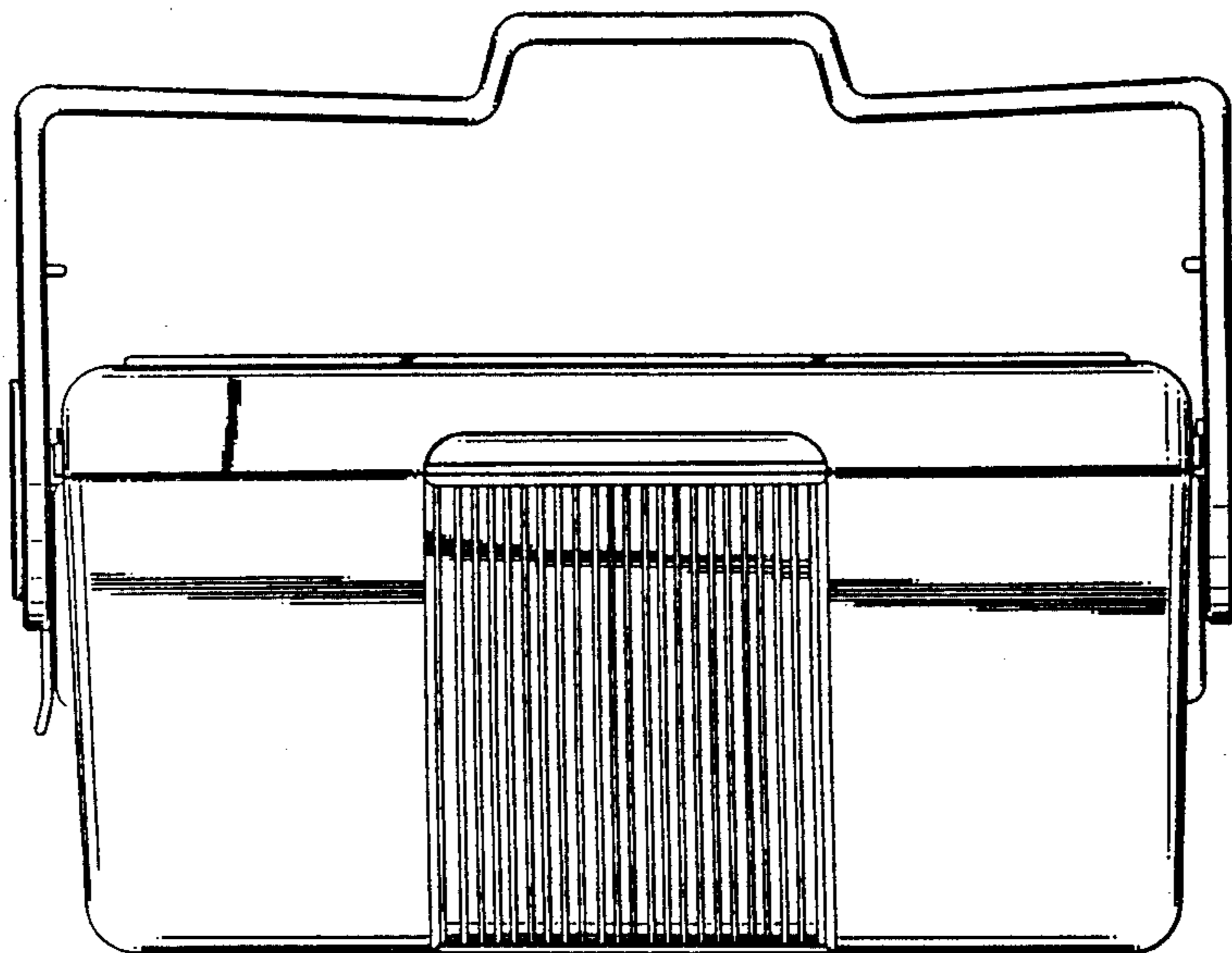


Fig. 1

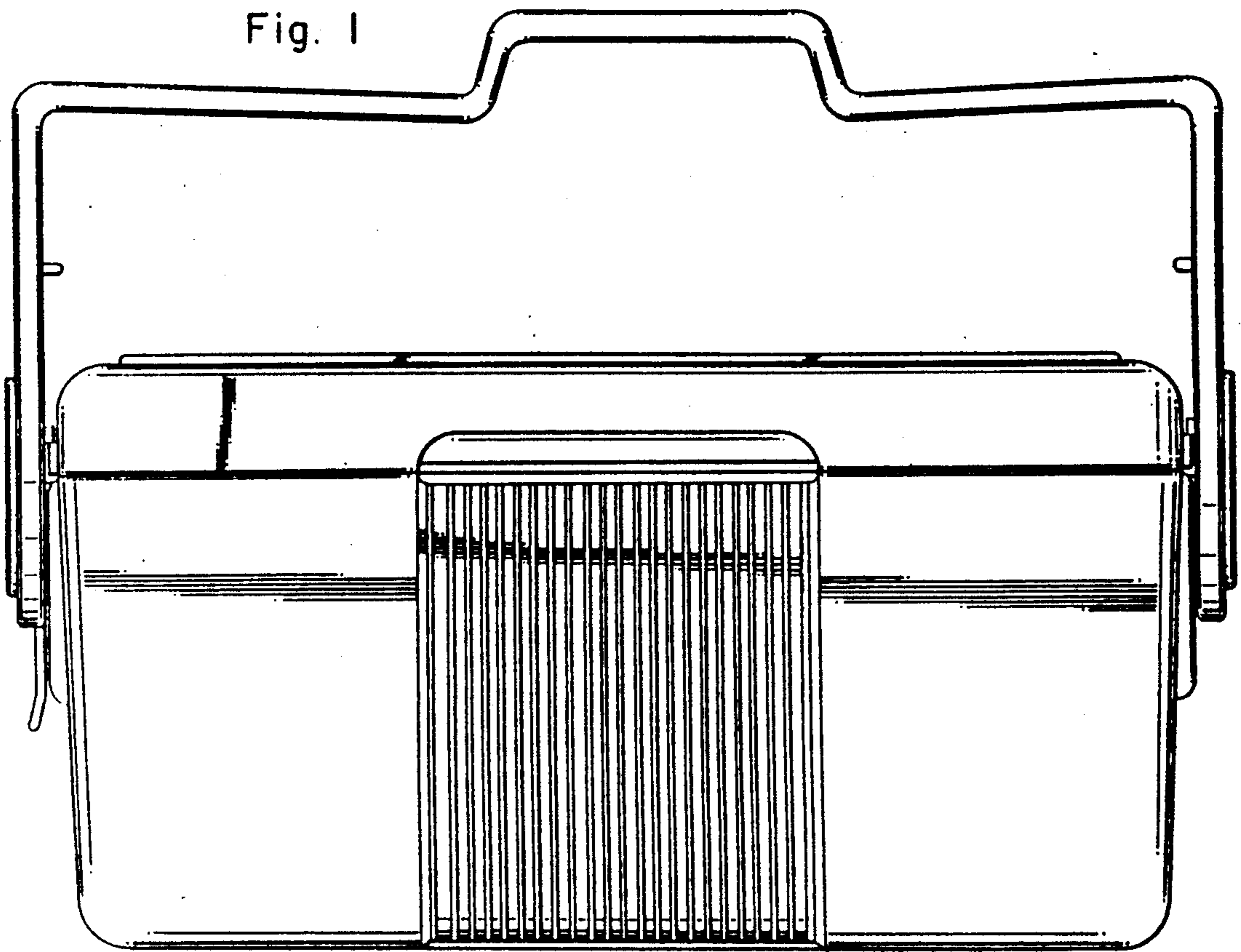
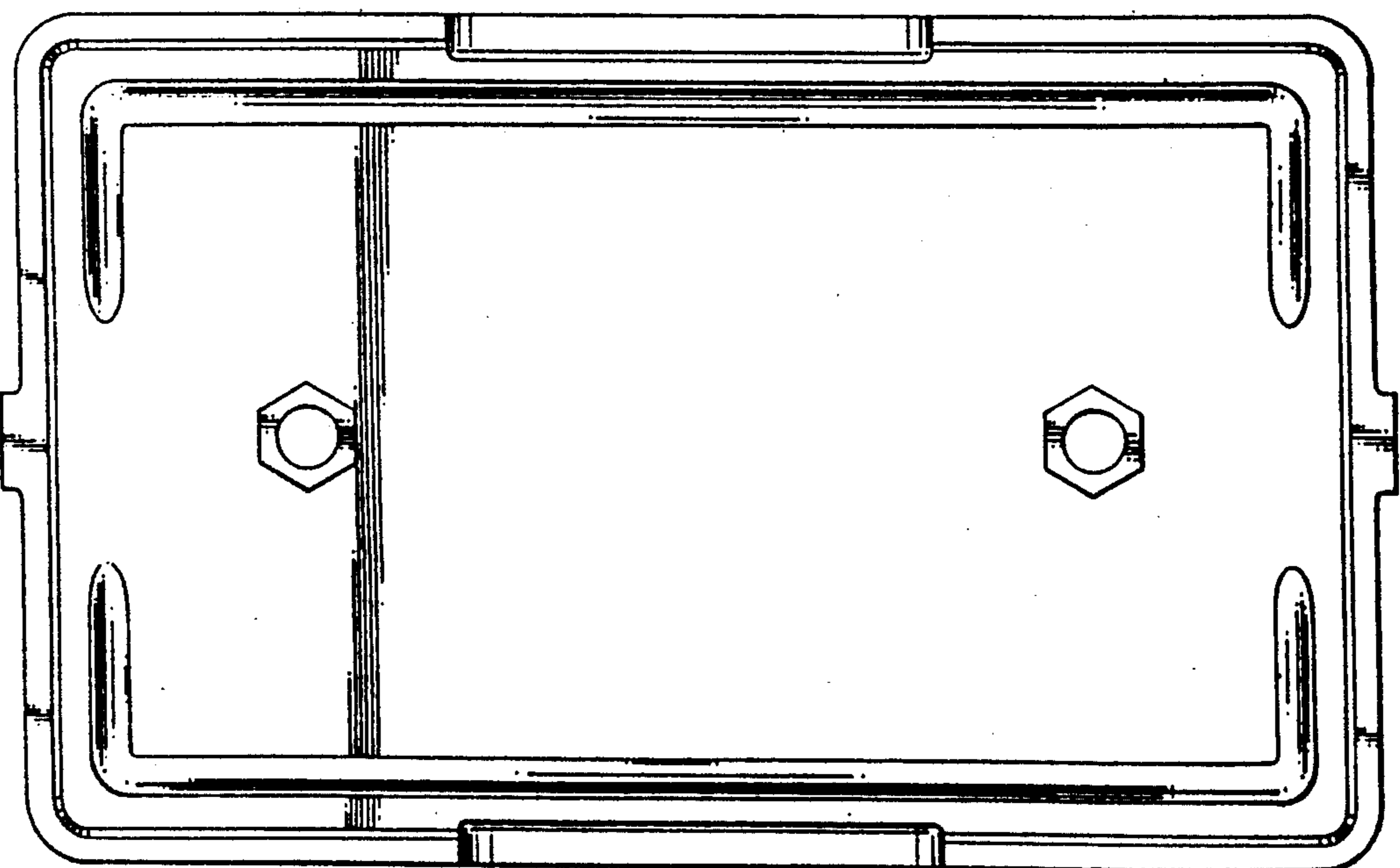


Fig. 2



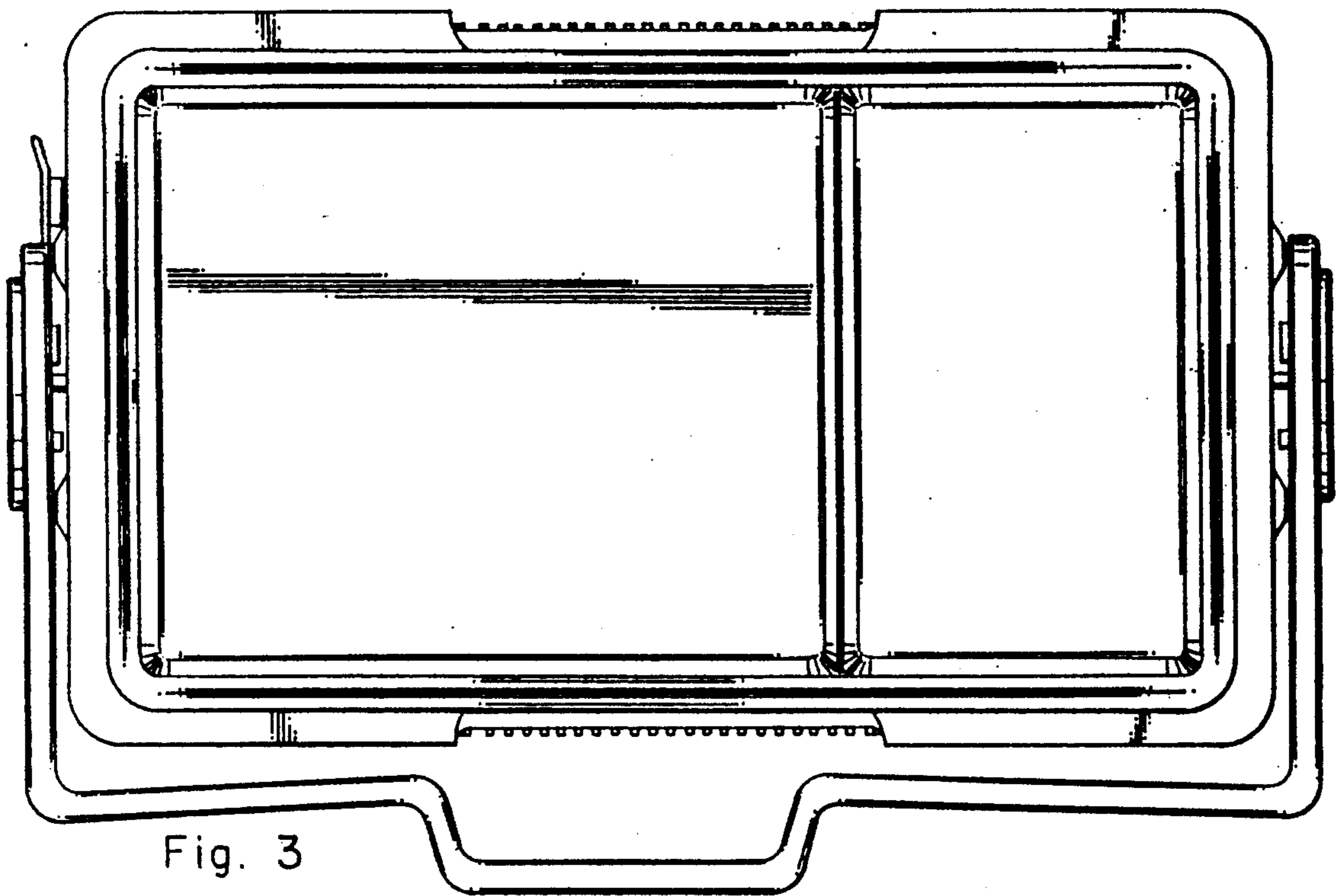


Fig. 3

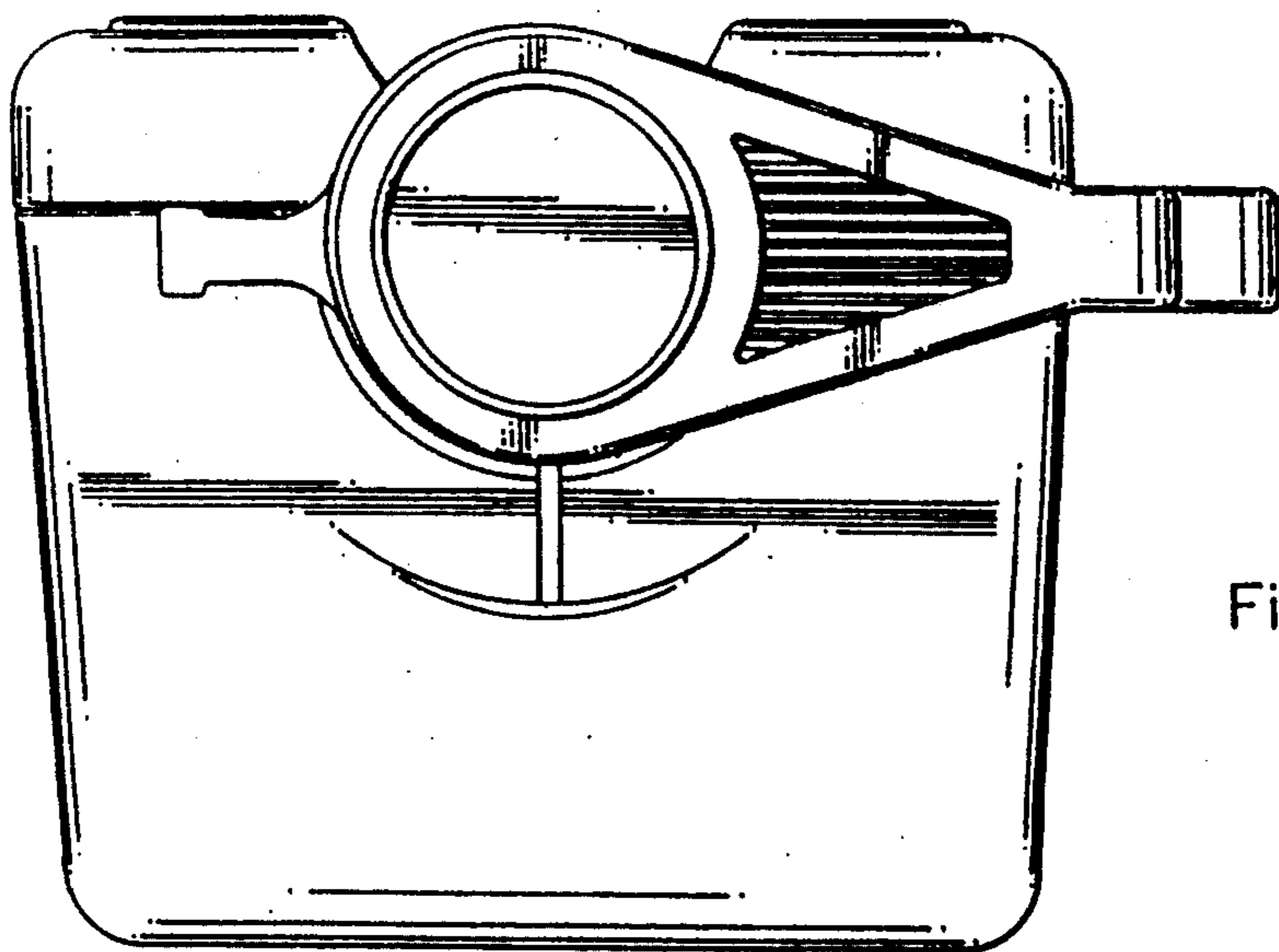


Fig. 4

Fig. 5

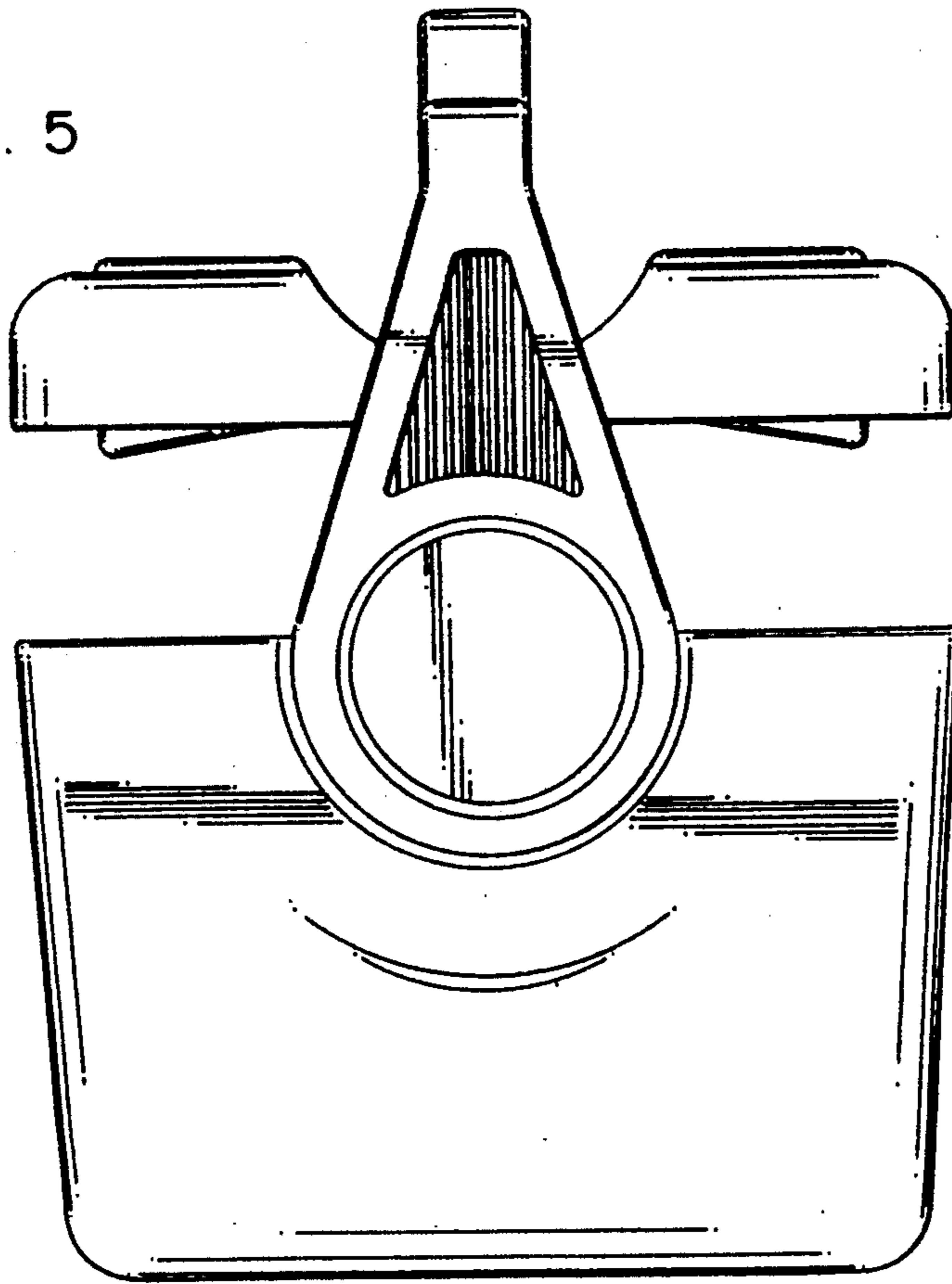
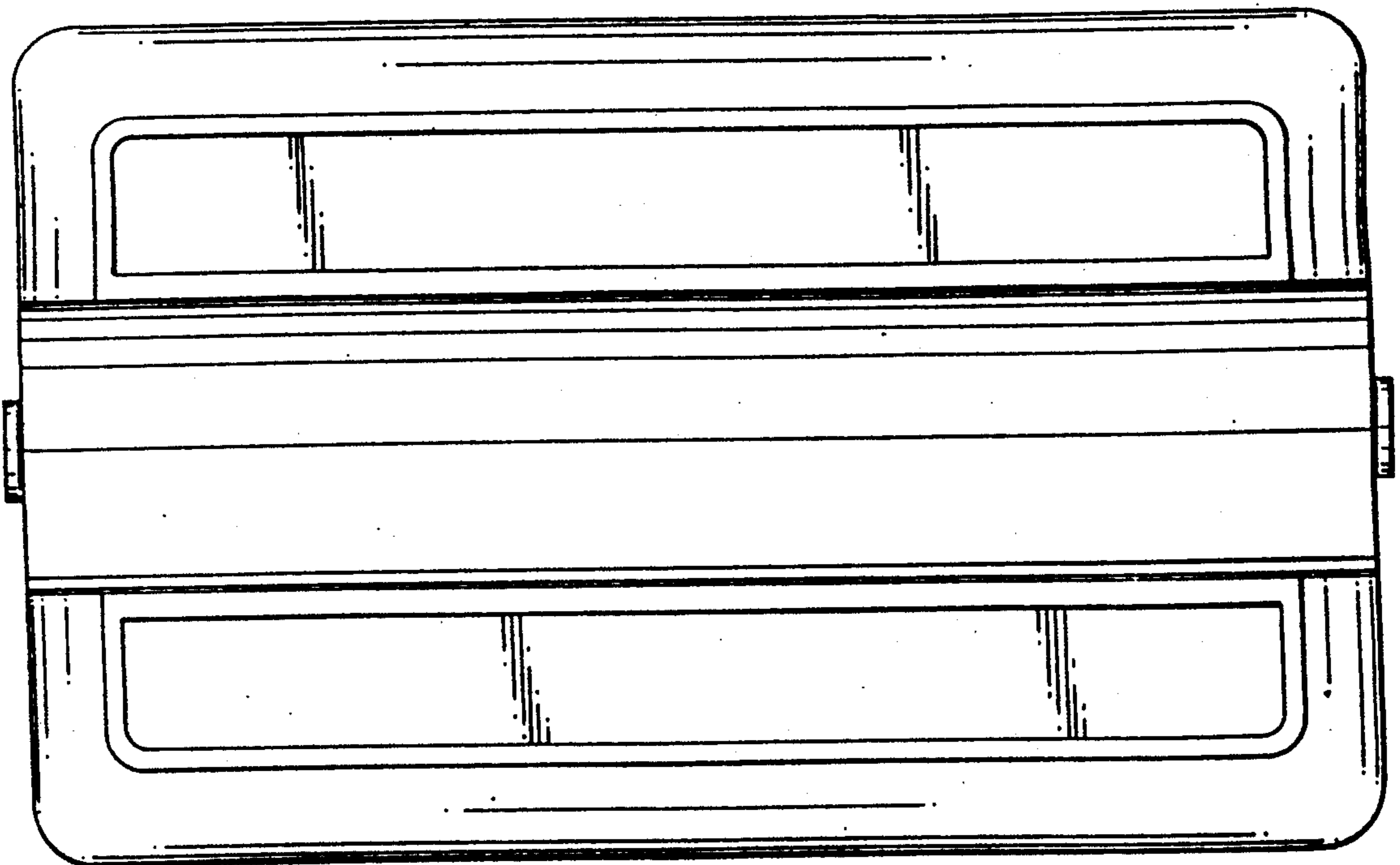


Fig. 6



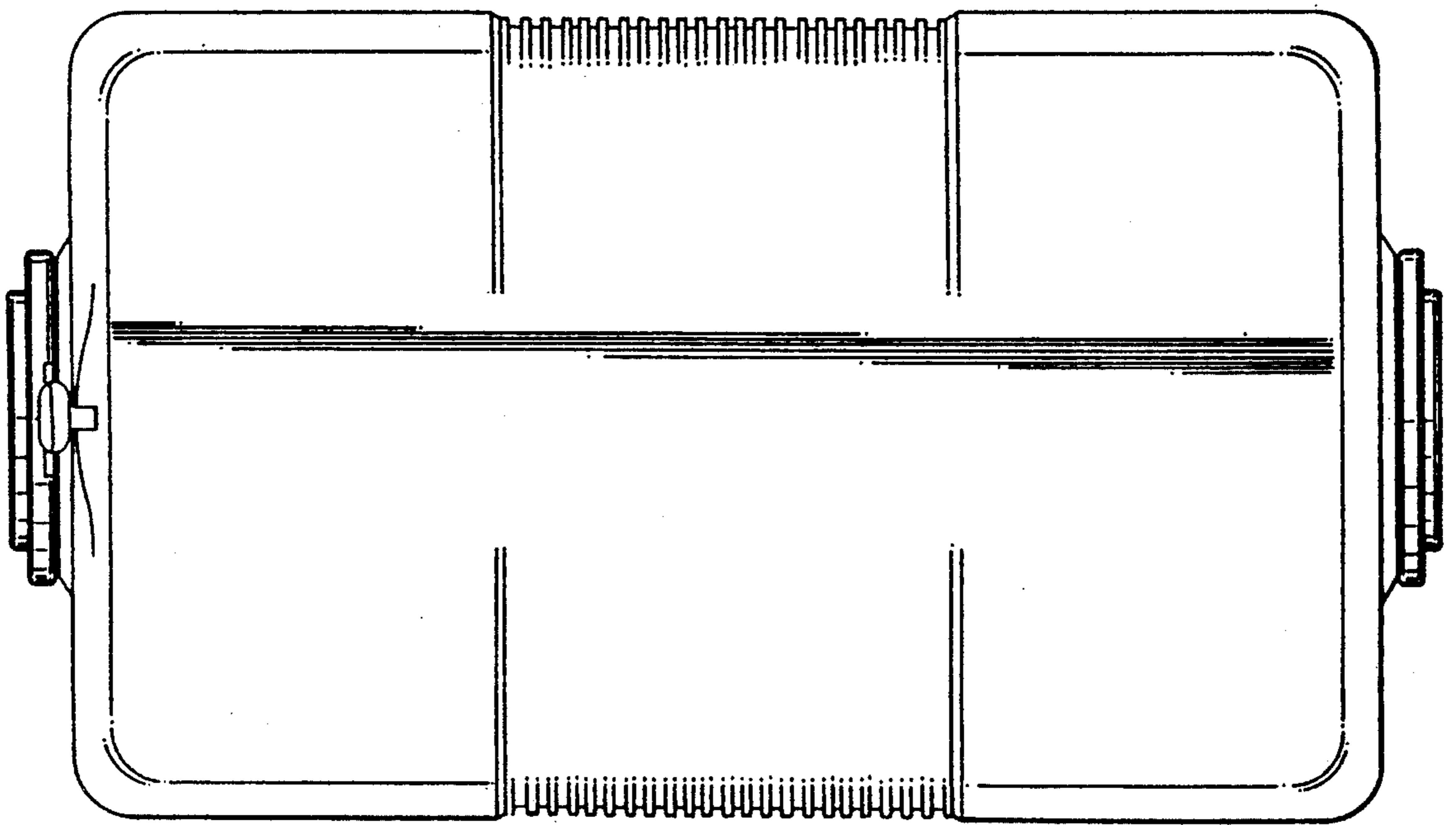


Fig. 7