

[54] **BARBECUE COVER SUPPORT**  
 [76] **Inventor: Donald W. Croft, 4118 Kane St., San Diego, Calif. 92110**  
 [\*\*] **Term: 14 Years**  
 [21] **Appl. No.: 43,998**  
 [22] **Filed: Apr. 29, 1987**  
 [52] **U.S. Cl. .... D7/402; D7/332; 126/25 R**  
 [58] **Field of Search ..... D7/402, 403, 407-409, D7/414, 331, 332, 335, 336, 338, 213; 126/25 R, 25 A, 25 AA, 25 B, 25 C, 41 R, 9 R, 9 B; 292/339, 288**

4,120,237 10/1978 Mecherlen ..... 126/25 A  
 4,192,283 3/1980 Kridler et al. .... 126/25 AA  
 4,256,080 3/1981 Seach ..... 126/25 R  
 4,430,985 2/1984 Huneycut ..... 126/25 A  
 4,457,290 7/1984 Edwards ..... 126/25 A  
 4,476,849 10/1984 Schmidt ..... 126/41 R  
 4,584,984 4/1986 Croft ..... 126/25 R

**FOREIGN PATENT DOCUMENTS**

383352 11/1932 United Kingdom ..... 126/41 R

*Primary Examiner*—Louis S. Zarfes  
*Attorney, Agent, or Firm*—Brown, Martin, Haller & McClain

[57] **CLAIM**

The ornamental design for a barbecue cover support, as shown.

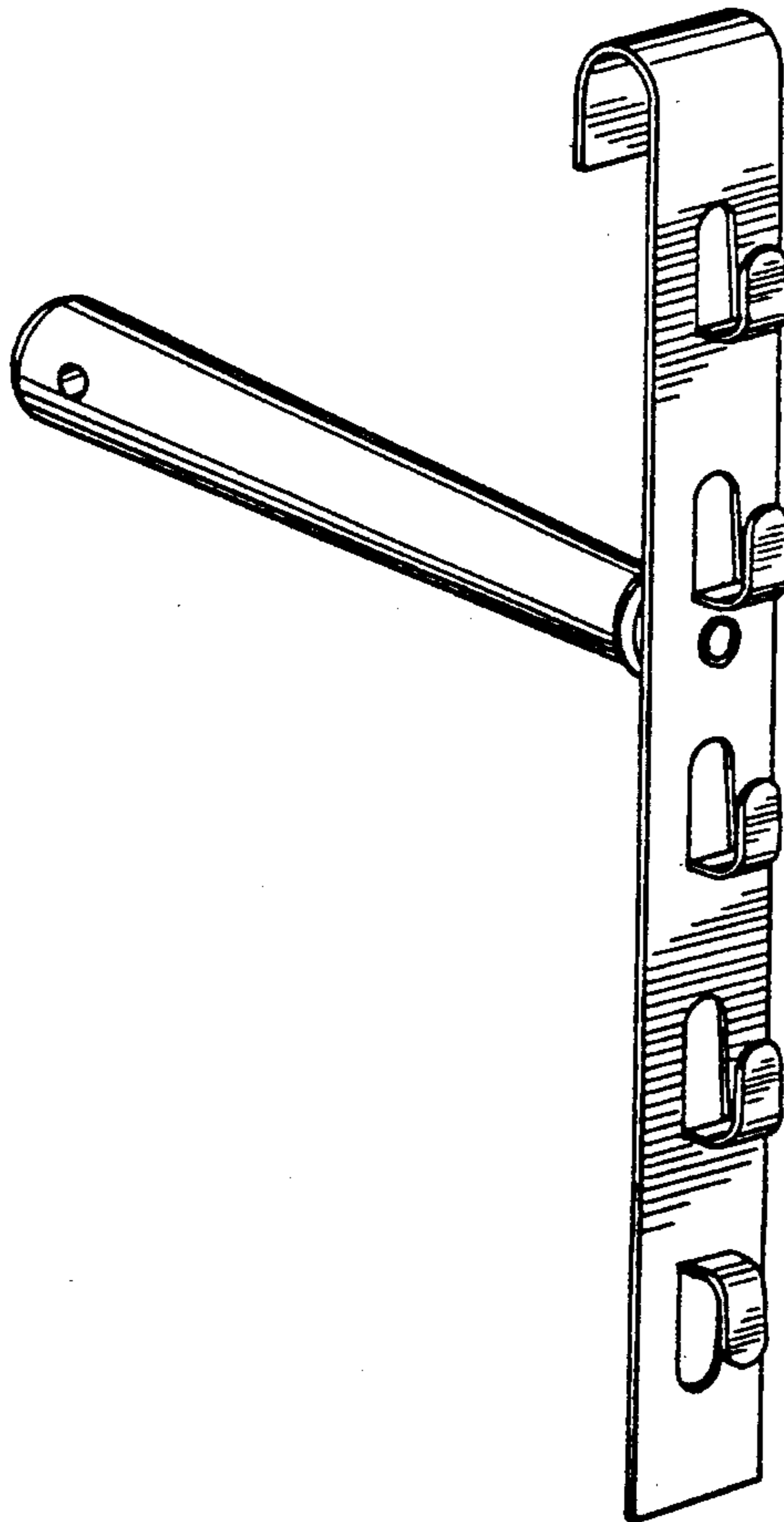
[56] **References Cited**

**U.S. PATENT DOCUMENTS**

D. 26,437 12/1896 Wojdkow ..... D7/409  
 D. 290,079 6/1987 Manning ..... D7/332  
 2,520,578 8/1950 Treloar ..... 126/25 R  
 2,792,773 5/1957 Barker ..... 126/9 R  
 2,921,175 1/1960 Zaidan ..... 126/41 R  
 3,320,942 5/1967 Christensen ..... 126/25 C  
 3,834,745 9/1974 Coates ..... 292/288  
 3,938,495 2/1976 Bauer et al. .... 126/41 R  
 4,026,266 5/1977 Cremer ..... 126/25 A  
 4,046,132 9/1977 White ..... 126/25 A

**DESCRIPTION**

FIG. 1 is a perspective view of a barbecue cover support, showing my new design;  
 FIG. 2 is a side elevational view thereof;  
 FIG. 3 is a top plan view thereof;  
 FIG. 4 is a rear elevational view thereof;  
 FIG. 5 is a perspective view of a barbecue cover support showing a modified form of my new design; and  
 FIG. 6 is a right side elevational view of the modified form.



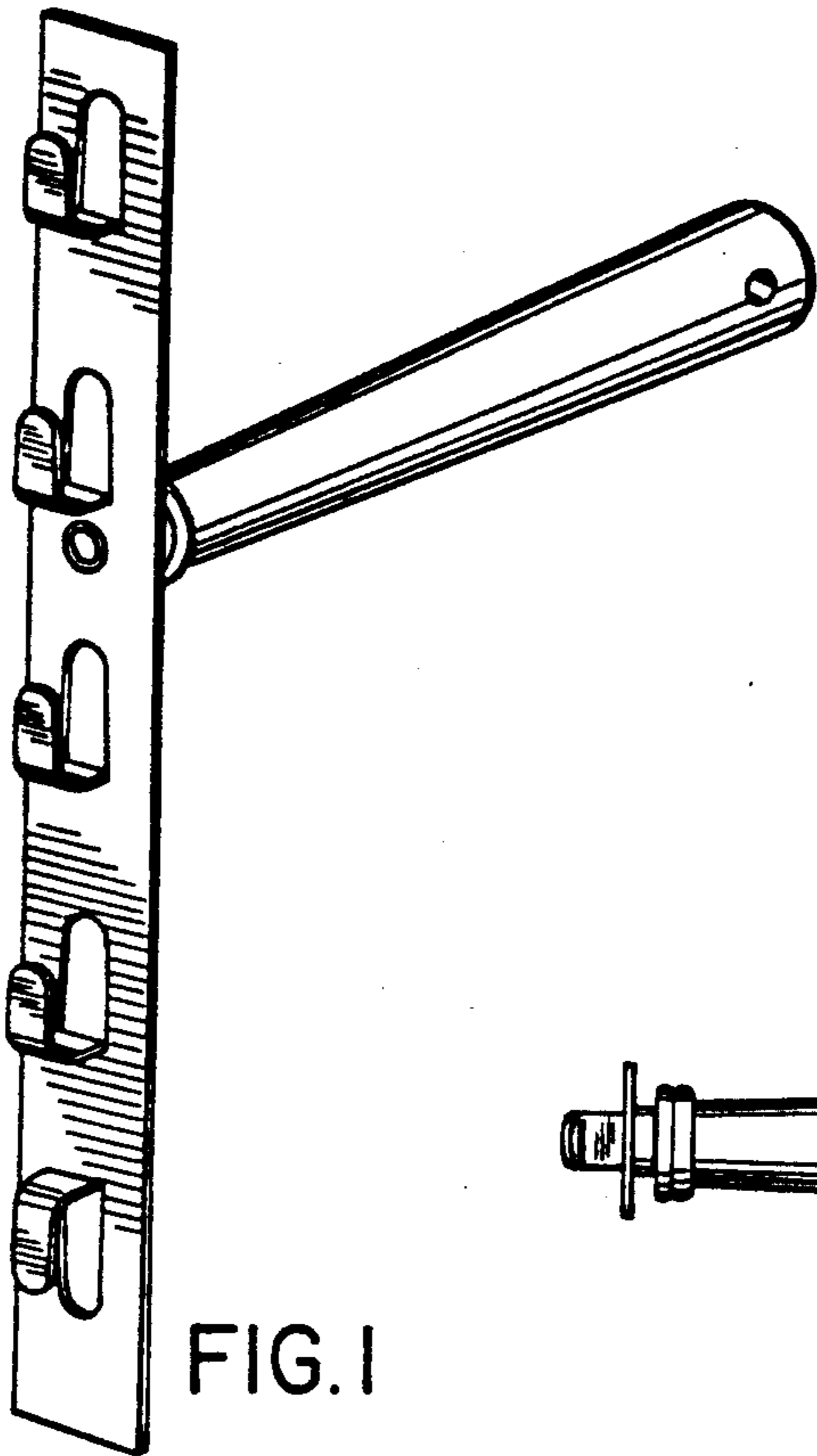


FIG. 1

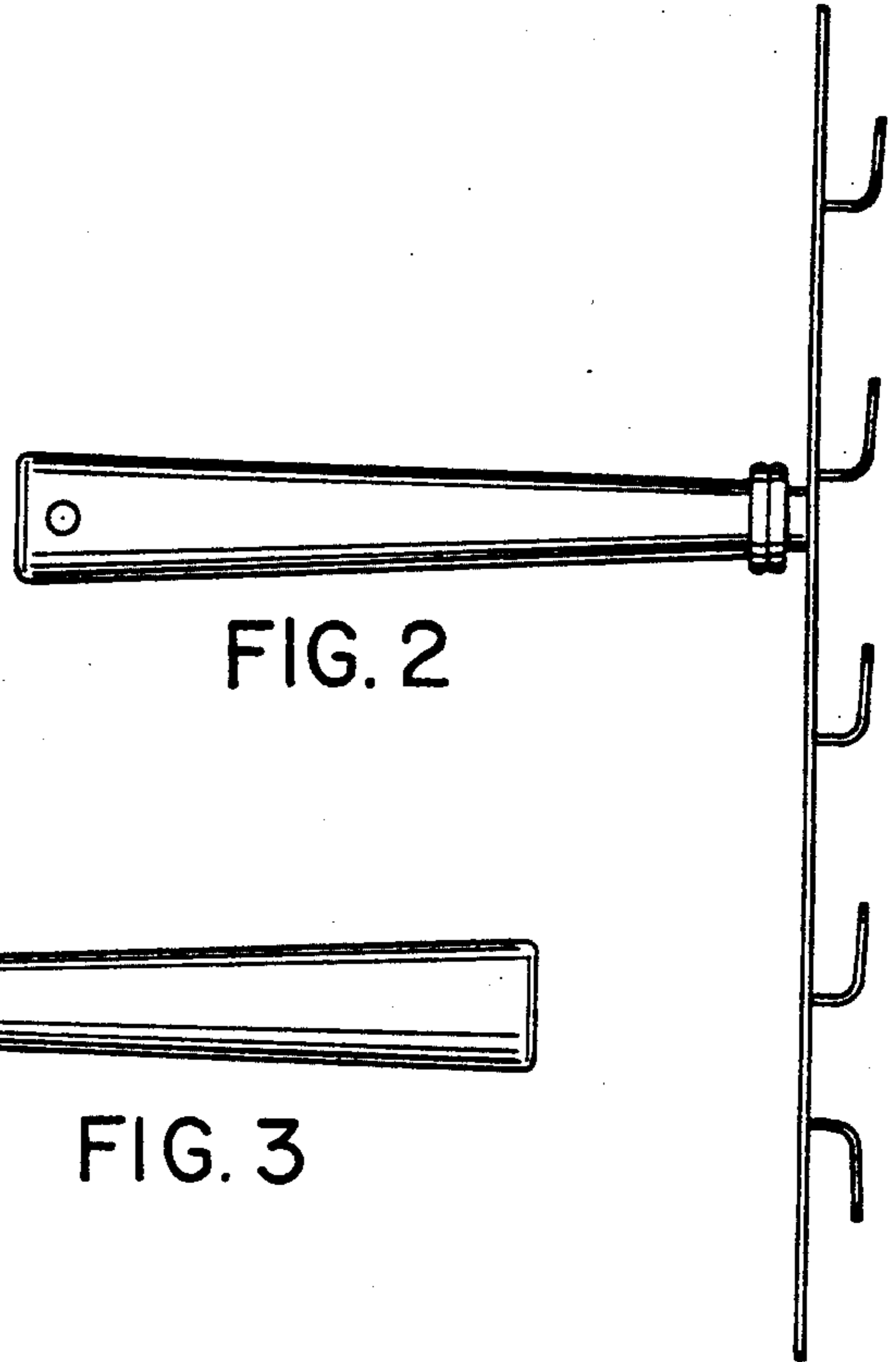


FIG. 2

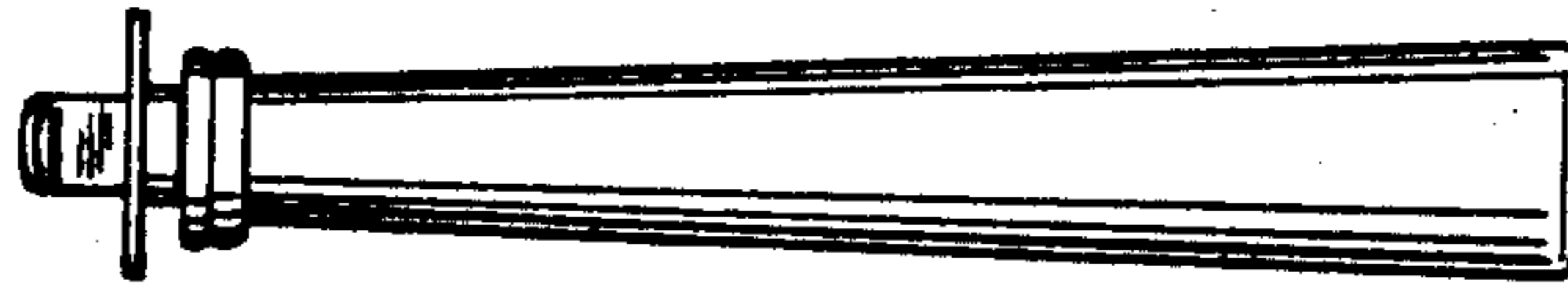


FIG. 3



FIG. 4

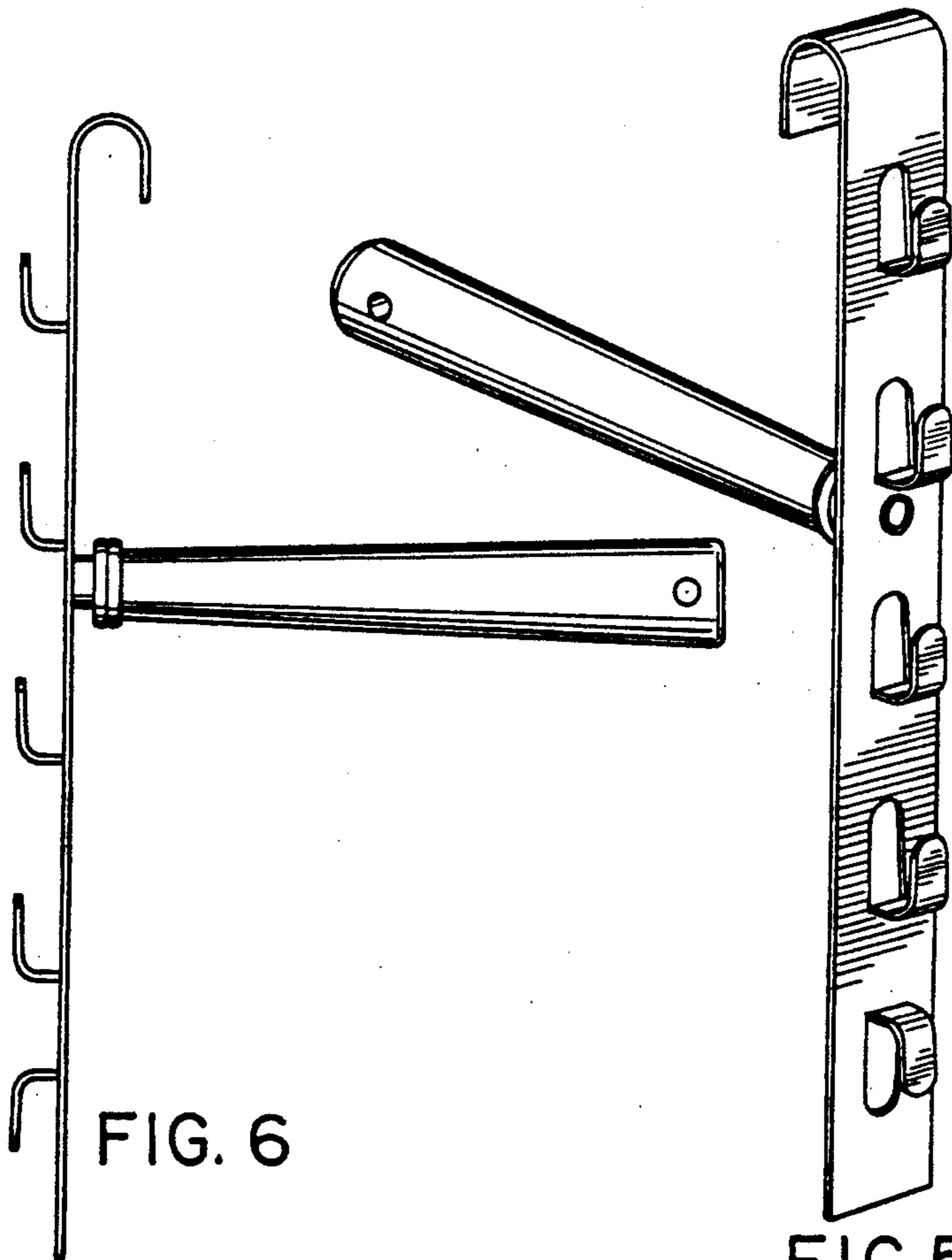


FIG. 5

FIG. 6