

[54] ELECTRIC COFFEE MAKER

[75] Inventor: Domingo F. A. Bolivar, Durango Vizcaya, Spain

[73] Assignee: Oficina de Investigacion Agrupada, S.A., Guipuzcoa, Spain

[**] Term: 14 Years

[21] Appl. No.: 145,186

[22] Filed: Jan. 19, 1988

[30] Foreign Application Priority Data

Aug. 17, 1987 [ES] Spain 113763

[52] U.S. Cl. D7/309; D7/311

[58] Field of Search D7/309, 310, 300, 312, D7/311, 305; 99/293

[56] References Cited

U.S. PATENT DOCUMENTS

D. 299,304 1/1989 Knöchner et al. D7/309
D. 306,677 3/1990 Baruschke D7/309

OTHER PUBLICATIONS

Industrial Design, Mar./Apr., 1985, p. 64, Andrew Stenholne's Espresso Machine-top right.

Schoner Wohnen, Nov. 1982, p. 43 sw, Espresso-Kaffee, center von Siemens.

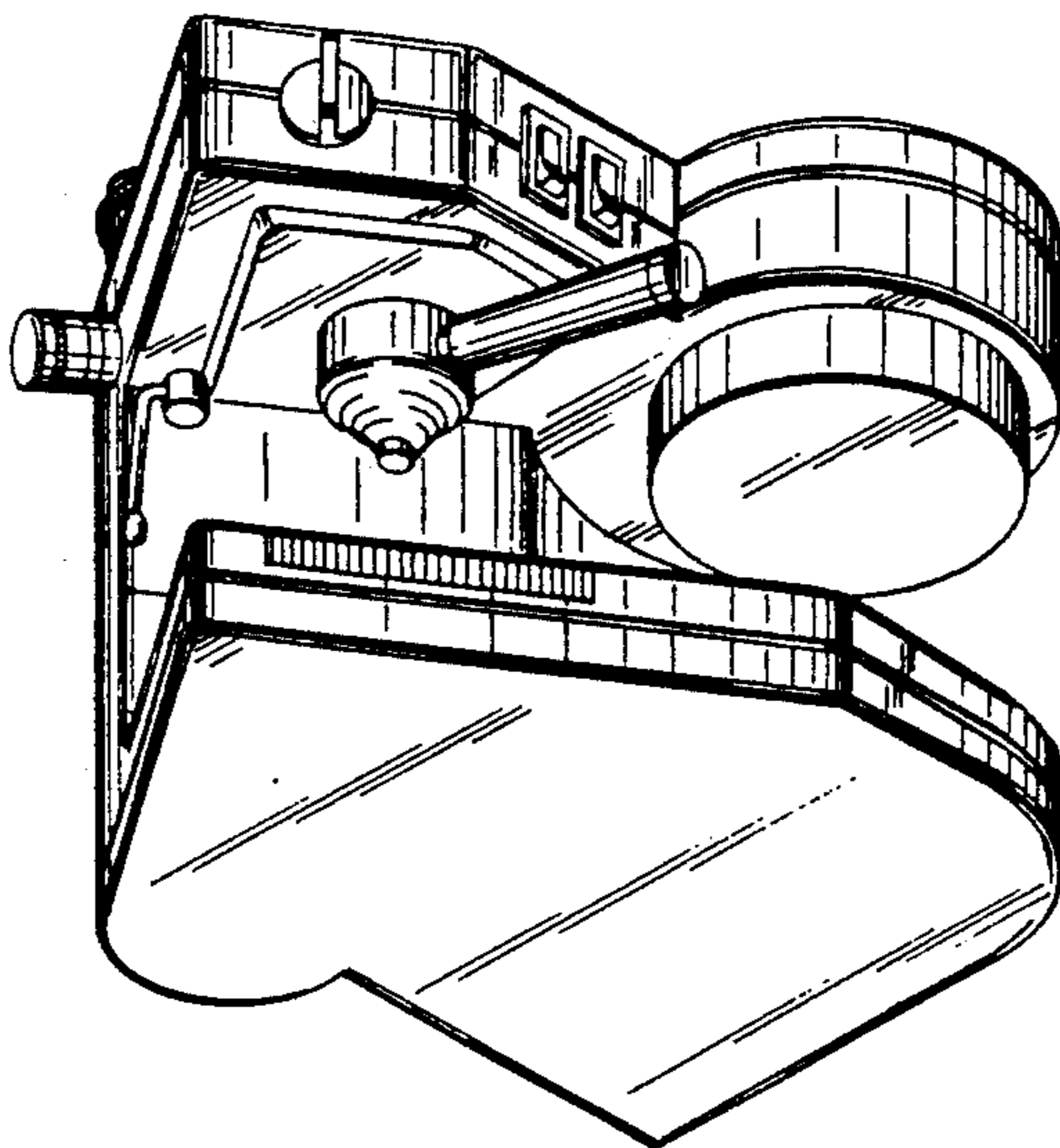
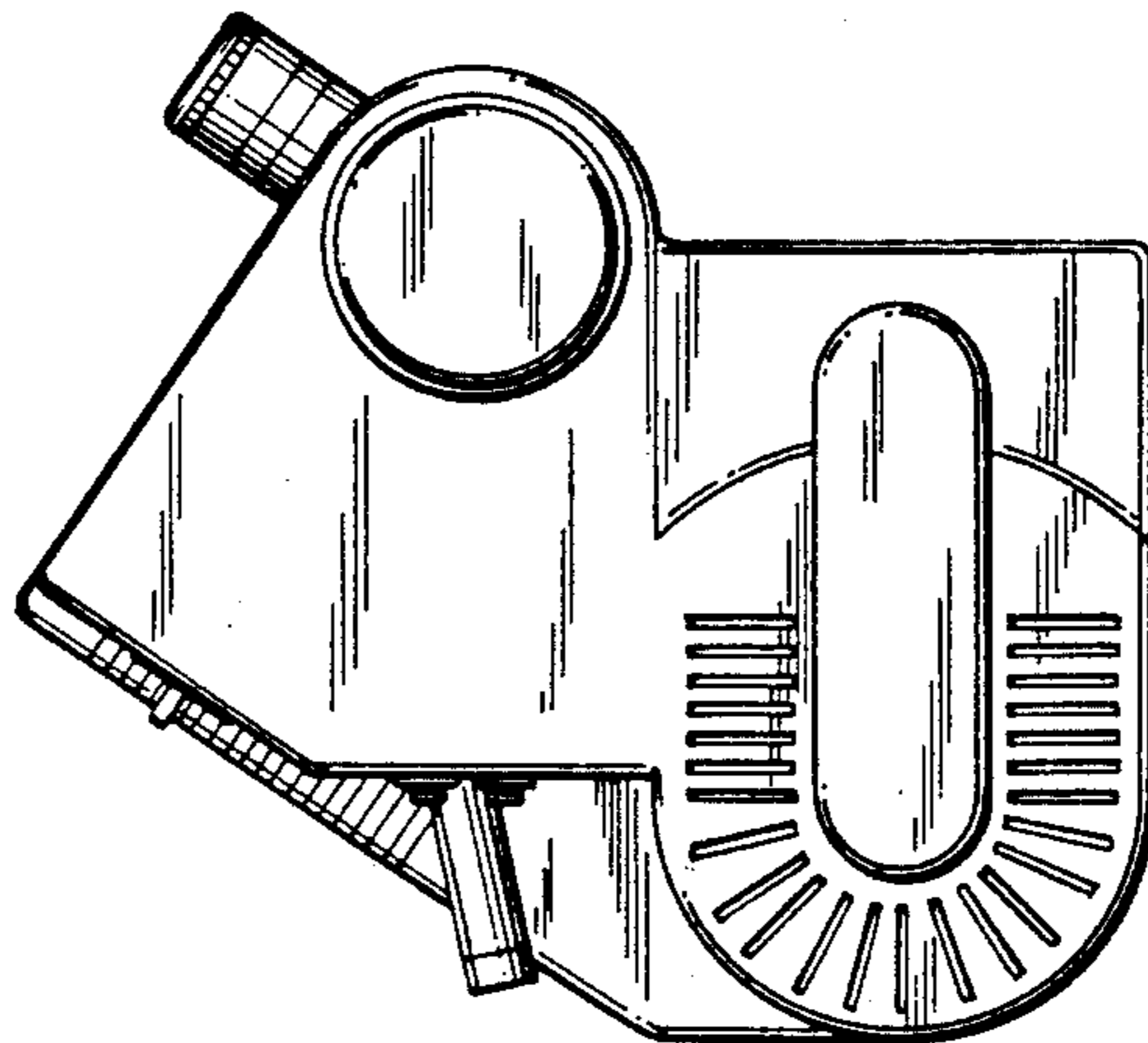
Primary Examiner—Winifred E. Herrmann
Attorney, Agent, or Firm—Helfgott & Karas

[57] CLAIM

The ornamental design for an electric coffee maker, as shown and described.

DESCRIPTION

FIG. 1 is a front perspective view of an electric coffee maker showing my new design; FIG. 2 is a top plan view thereof; FIG. 3 is a right side elevational view thereof; FIG. 4 is a front elevational view thereof; FIG. 5 is a left side elevational view thereof; FIG. 6 is a rear elevational view thereof; FIG. 7 is a rear perspective view thereof; and FIG. 8 is a perspective view of the electric coffee maker as seen from the bottom thereof.



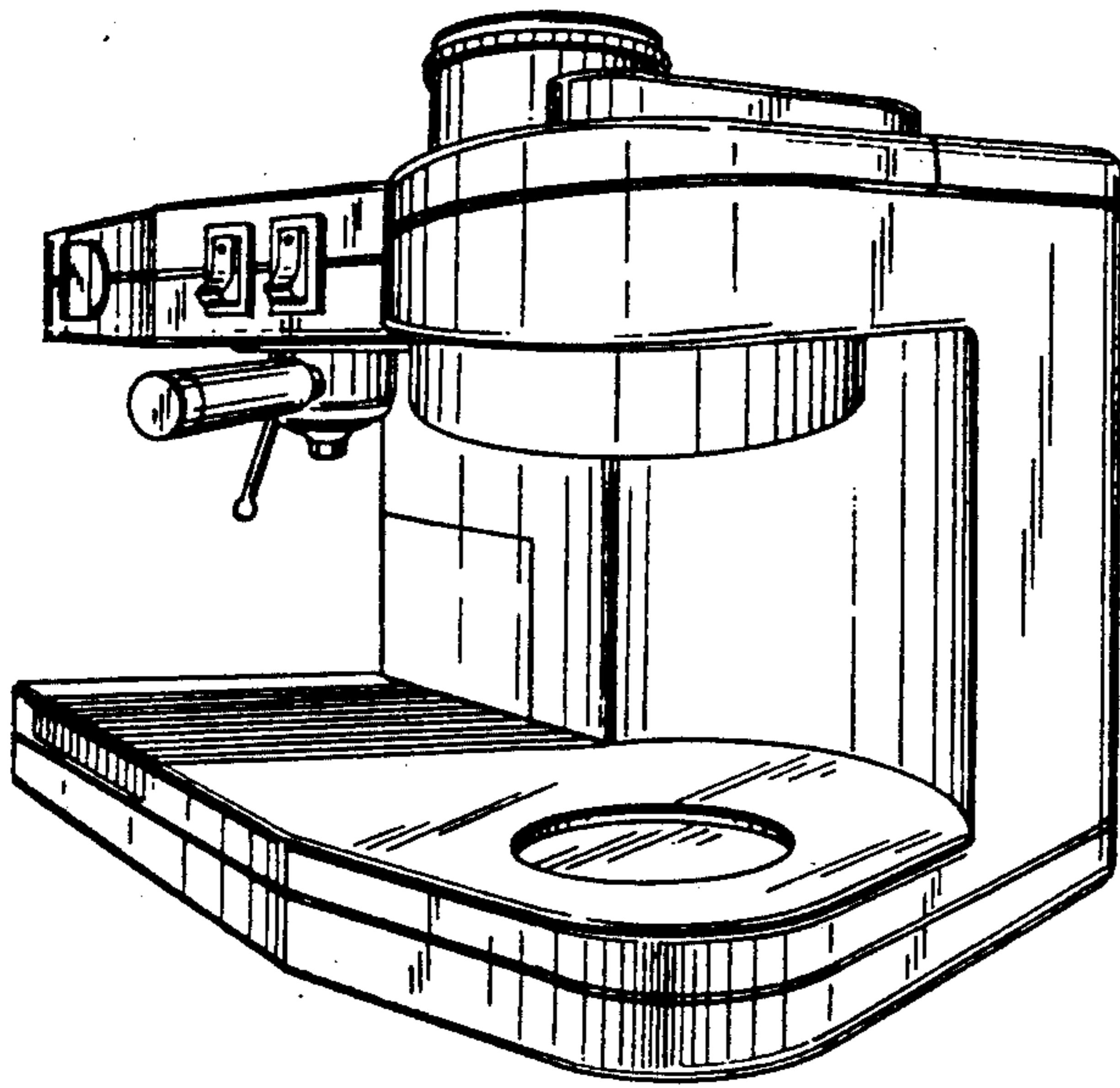


FIG. 1

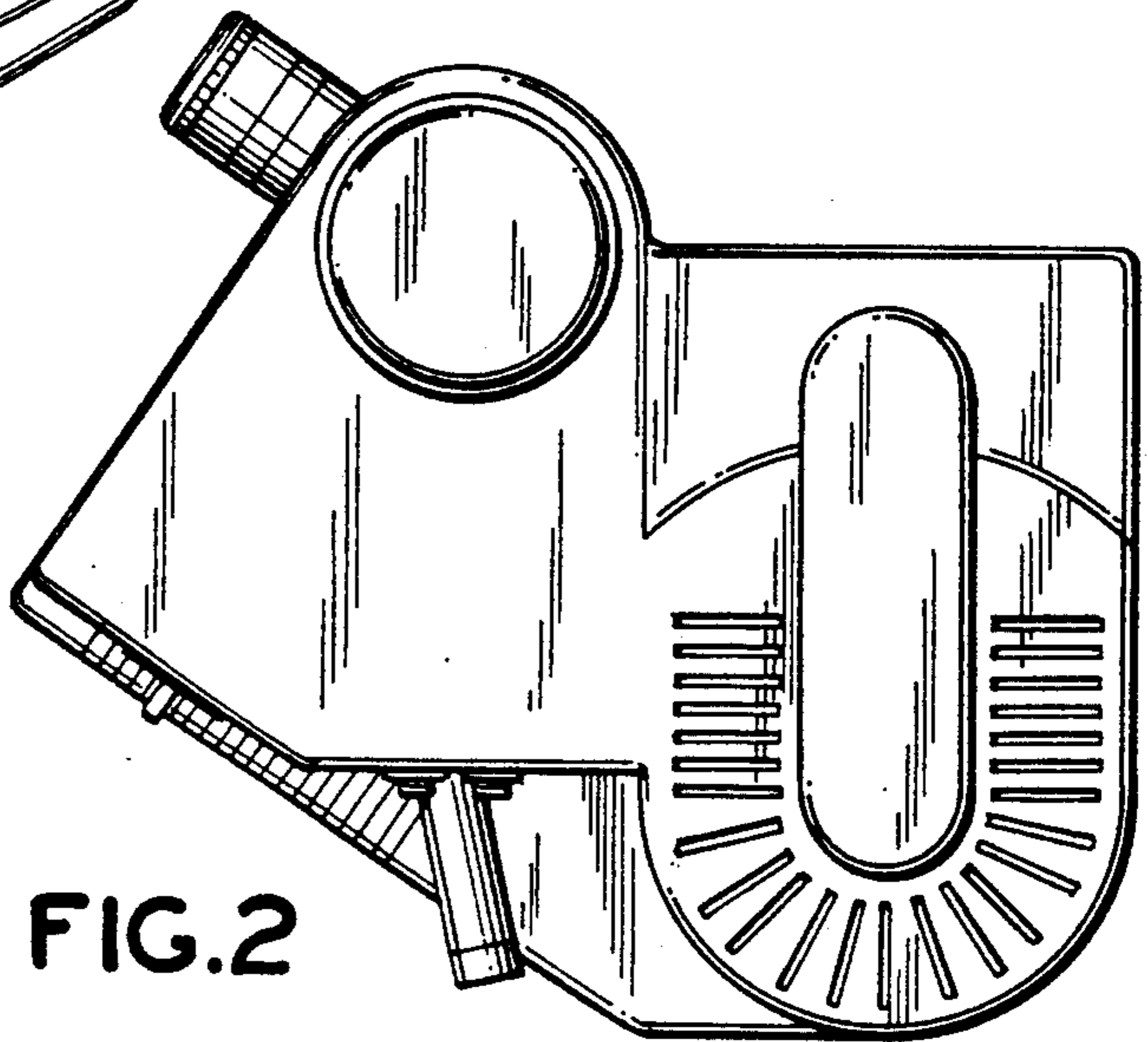


FIG. 2

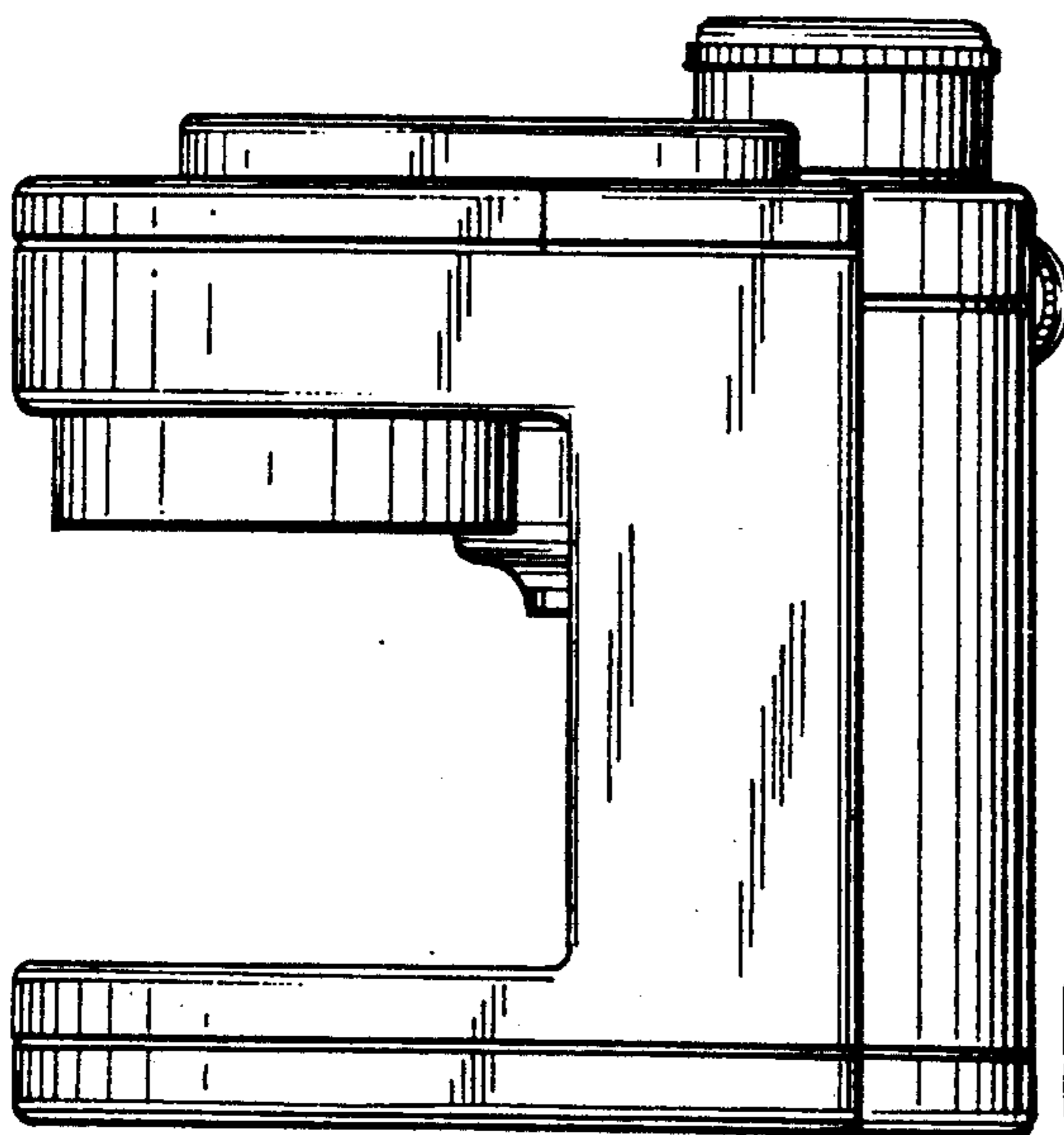


FIG. 3

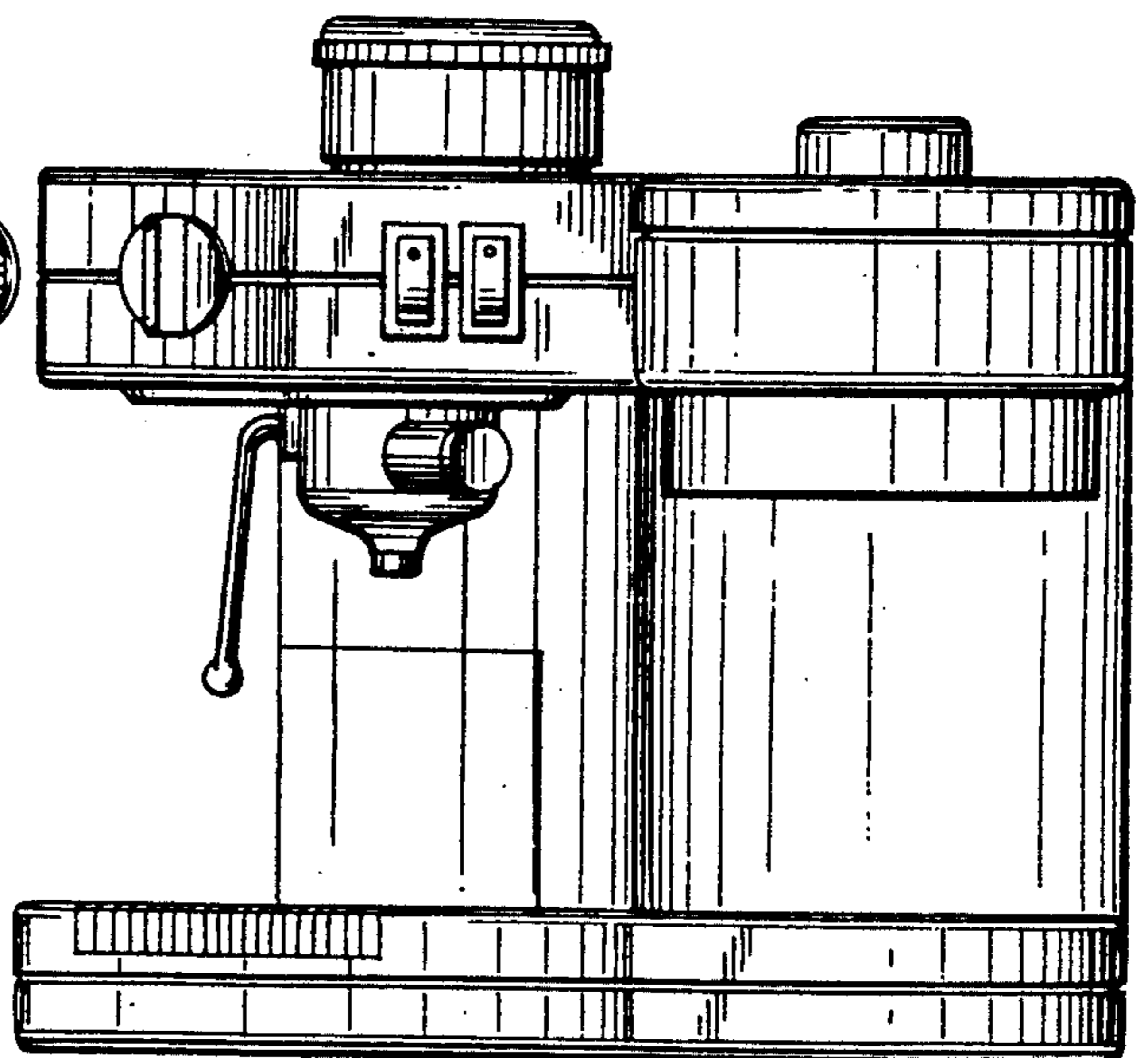


FIG. 4

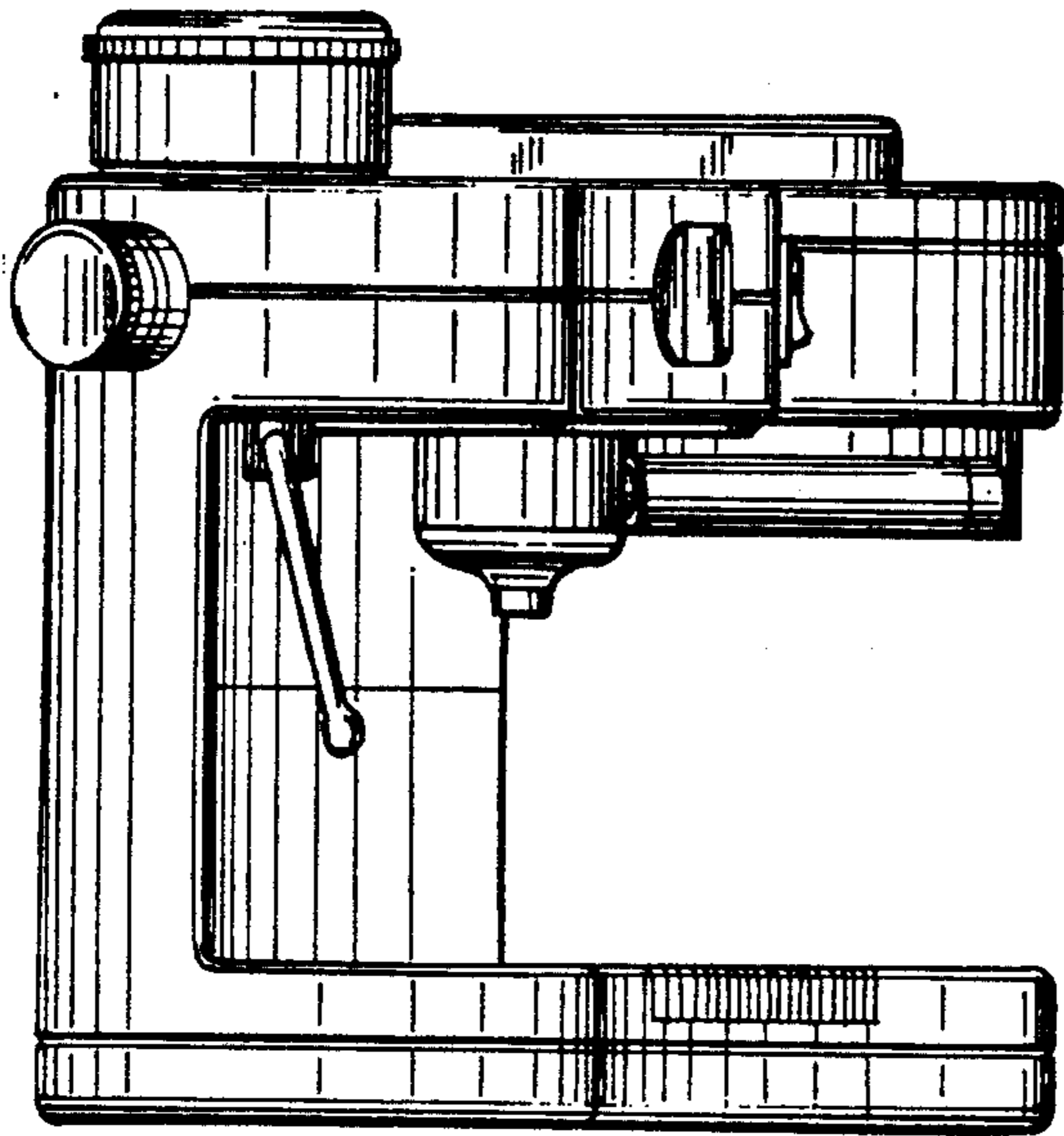


FIG. 5

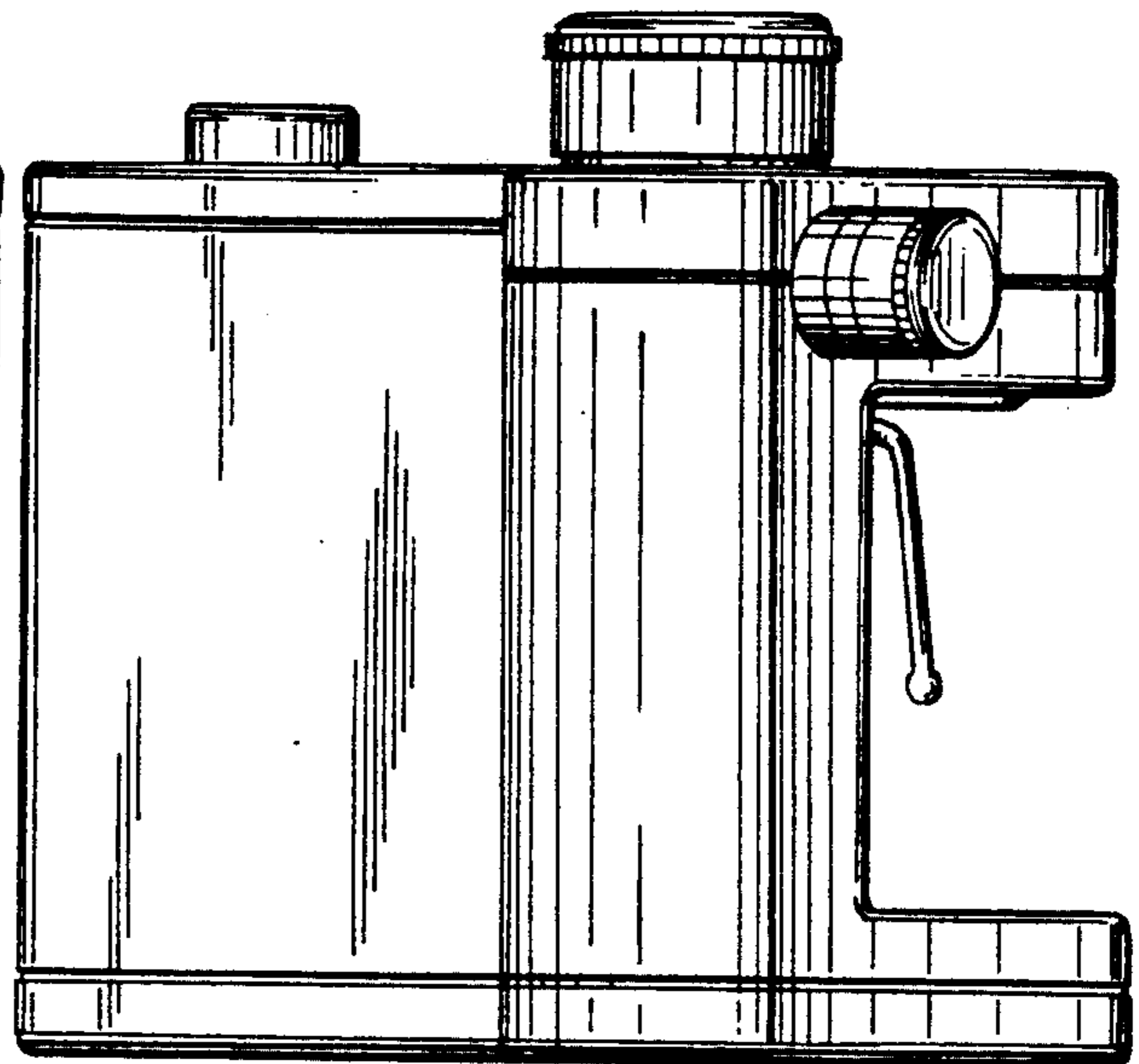


FIG. 6

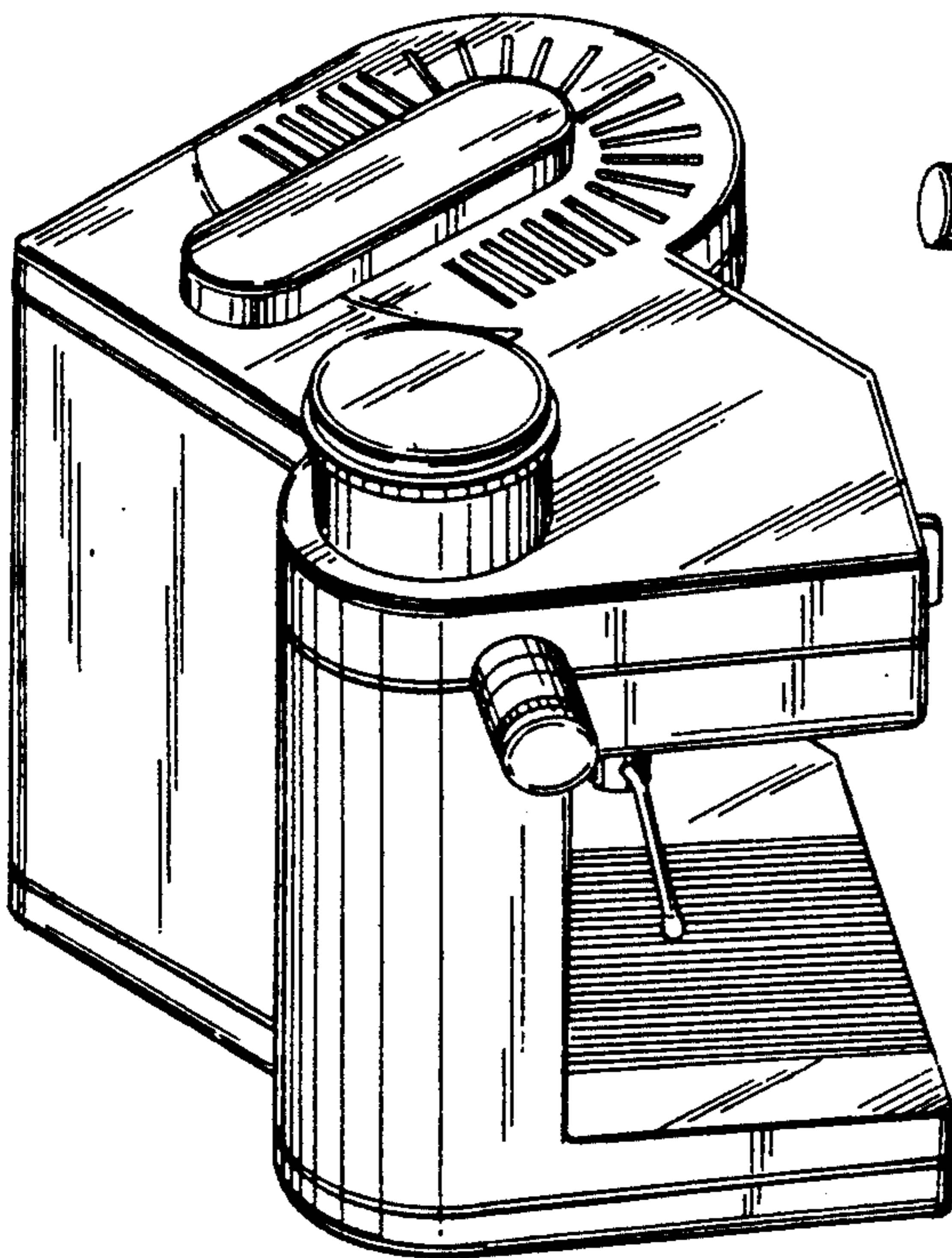


FIG. 7

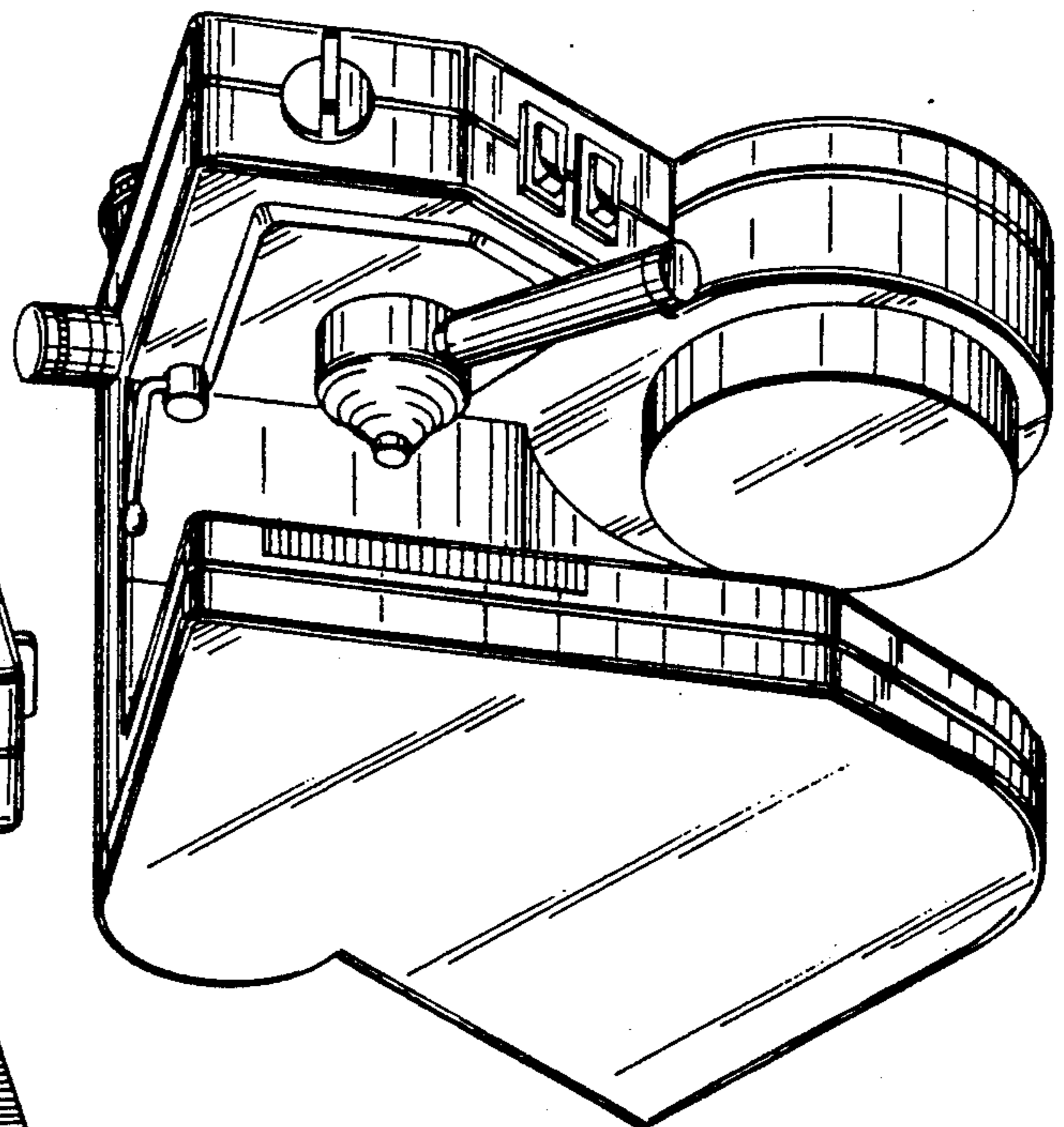


FIG. 8