

[54] **PILLOW**

[75] **Inventor: Linda H. Dixon, Ross, Calif.**

[73] **Assignee: E.R. Carpenter Company, Inc.,
Richmond, Va.**

[**] **Term: 14 Years**

[21] **Appl. No.: 330,716**

[22] **Filed: Mar. 30, 1989**

[52] **U.S. Cl. D6/601**

[58] **Field of Search D6/595-596,
D6/601, 604; 5/417, 419-420, 431-432, 434,
436, 441, 443, 446, 448-451, 455, 462, 470-474**

[56] **References Cited**

U.S. PATENT DOCUMENTS

D. 254,029	1/1980	Barbagallo	D6/601	X
D. 276,938	12/1984	Pederson	D6/601	
2,800,897	7/1957	Ross	5/434	X
3,694,831	10/1972	Treace	5/338	
4,218,792	8/1980	Kogan	5/436	
4,259,757	3/1981	Watson	5/434	
4,320,543	3/1982	Dixon	5/434	
4,432,107	2/1984	Clark	5/436	
4,432,261	2/1984	Morrow	5/436	
4,748,702	6/1988	Sandler	5/434	
4,754,513	7/1988	Rinz	5/434	X

FOREIGN PATENT DOCUMENTS

2305956 3/1976 France 5/434

OTHER PUBLICATIONS

ProPillow™, Product Brochure of E.R. Carpenter Company, Inc. dated 1987 (single sheet).

Neckshape™, Product Brochure of E.R. Carpenter Company, Inc. dated 1986 (single sheet).

Primary Examiner—Wallace R. Burke

Assistant Examiner—Brian N. Vinson

Attorney, Agent, or Firm—Beveridge, DeGrandi & Weilacher

[57] **CLAIM**

The ornamental design for a pillow, as shown and described.

DESCRIPTION

FIG. 1 is a perspective view of a pillow showing my new design;

FIG. 2 is a top plan view thereof;

FIG. 3 is an end elevational view thereof, the opposite end being a mirror image of that shown;

FIG. 4 is a front elevational view thereof, the rear being a mirror image of that shown; and

FIG. 5 is a bottom plan view thereof.

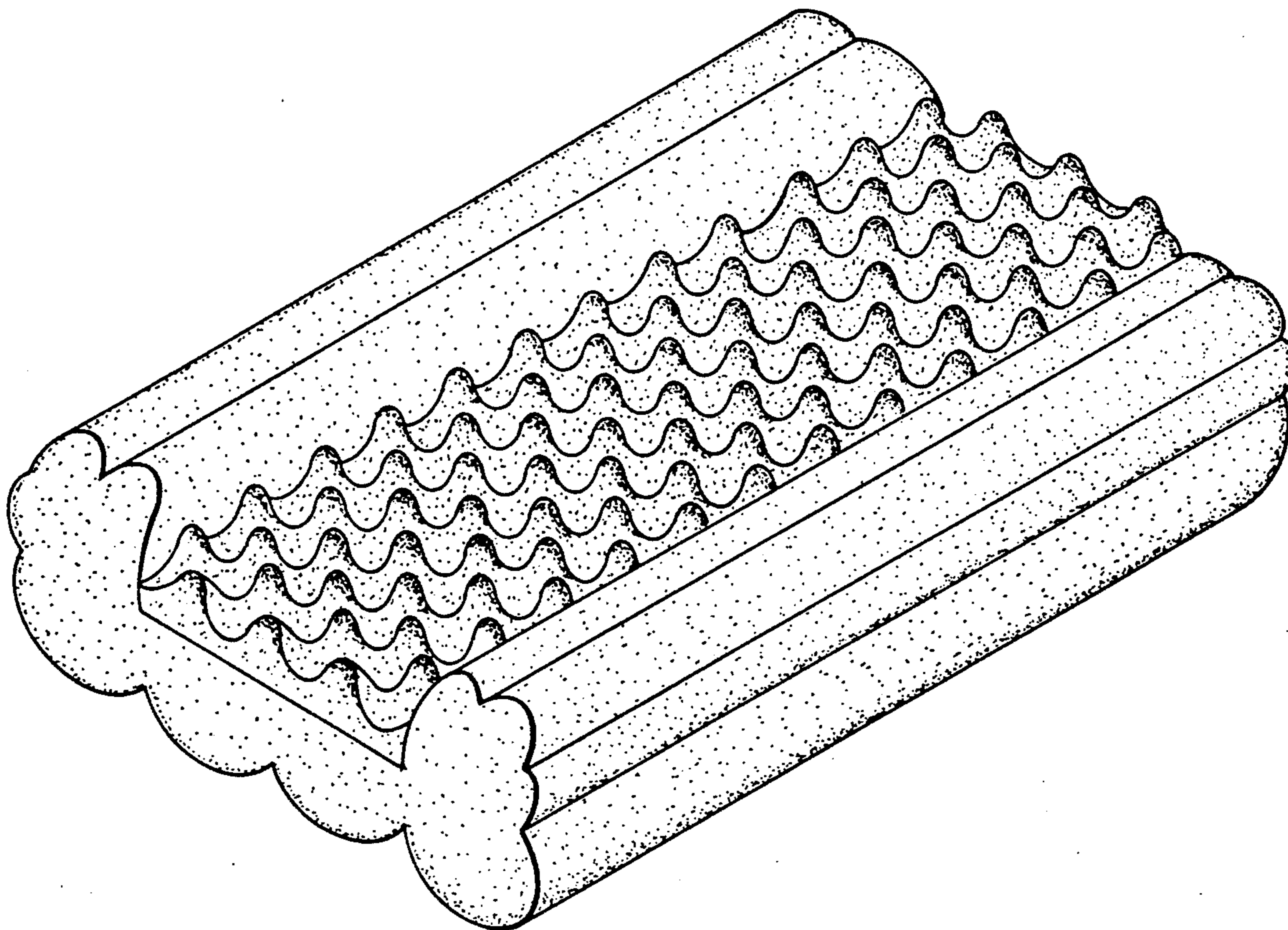


FIG. 1

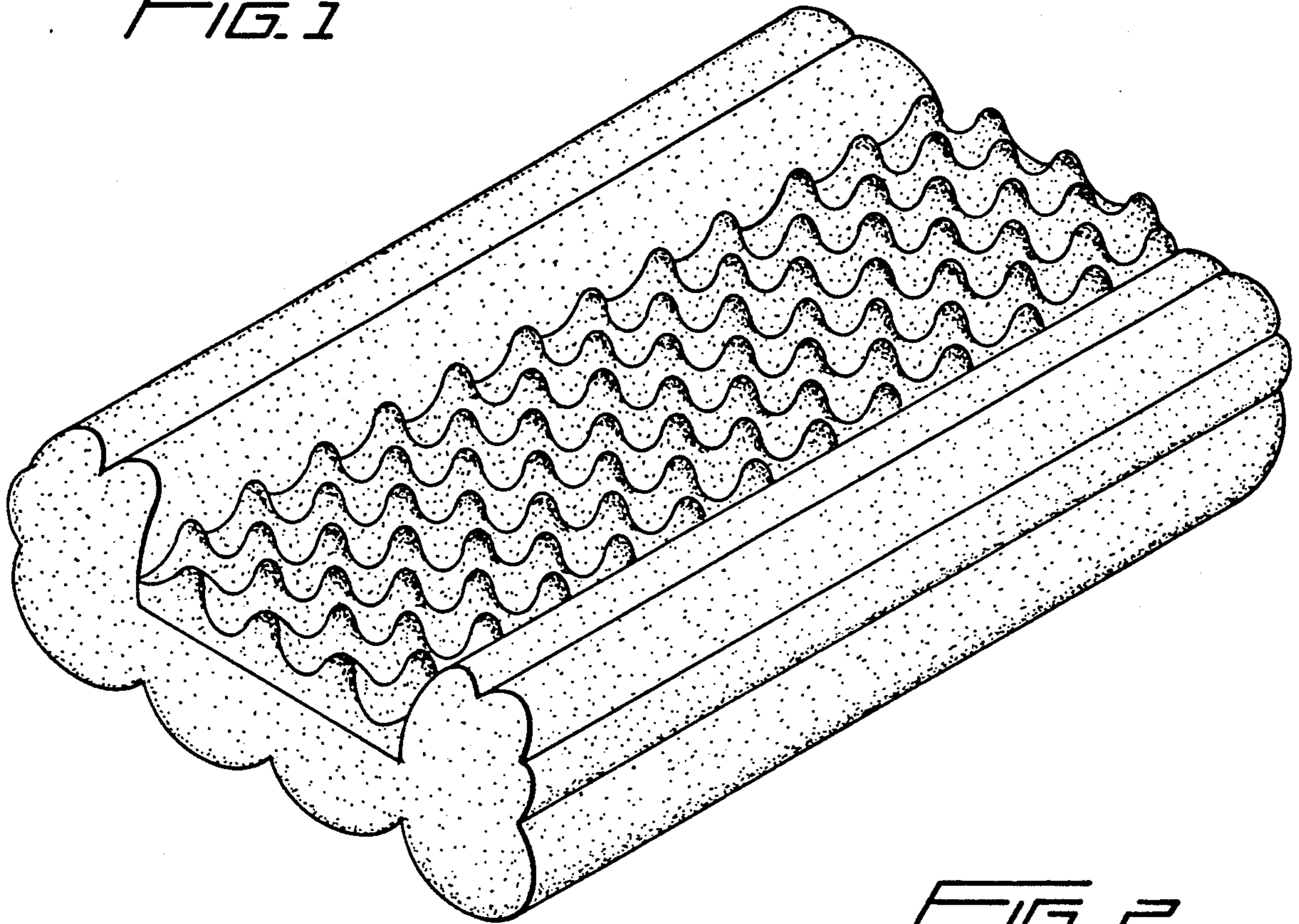


FIG. 2

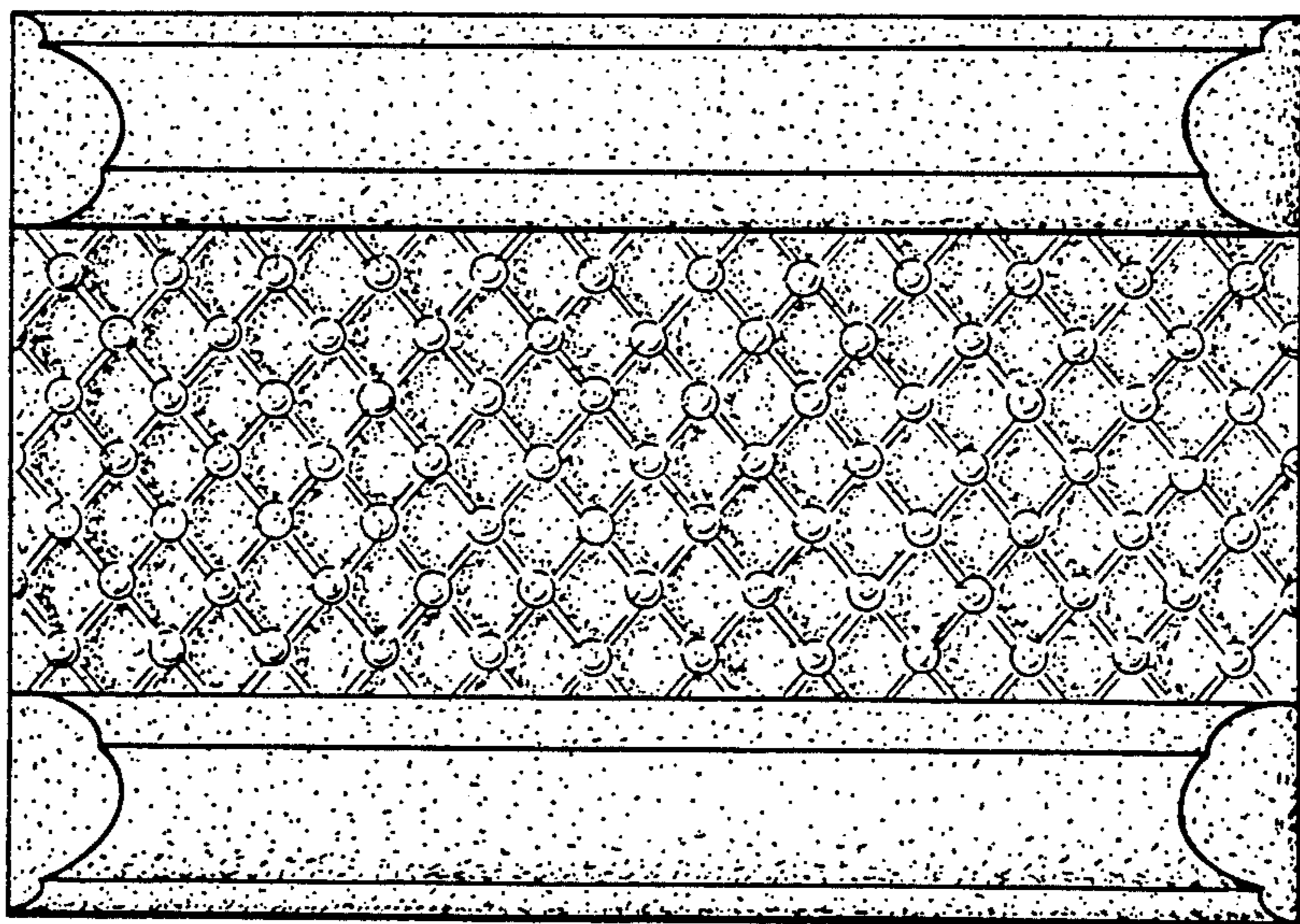


FIG. 3

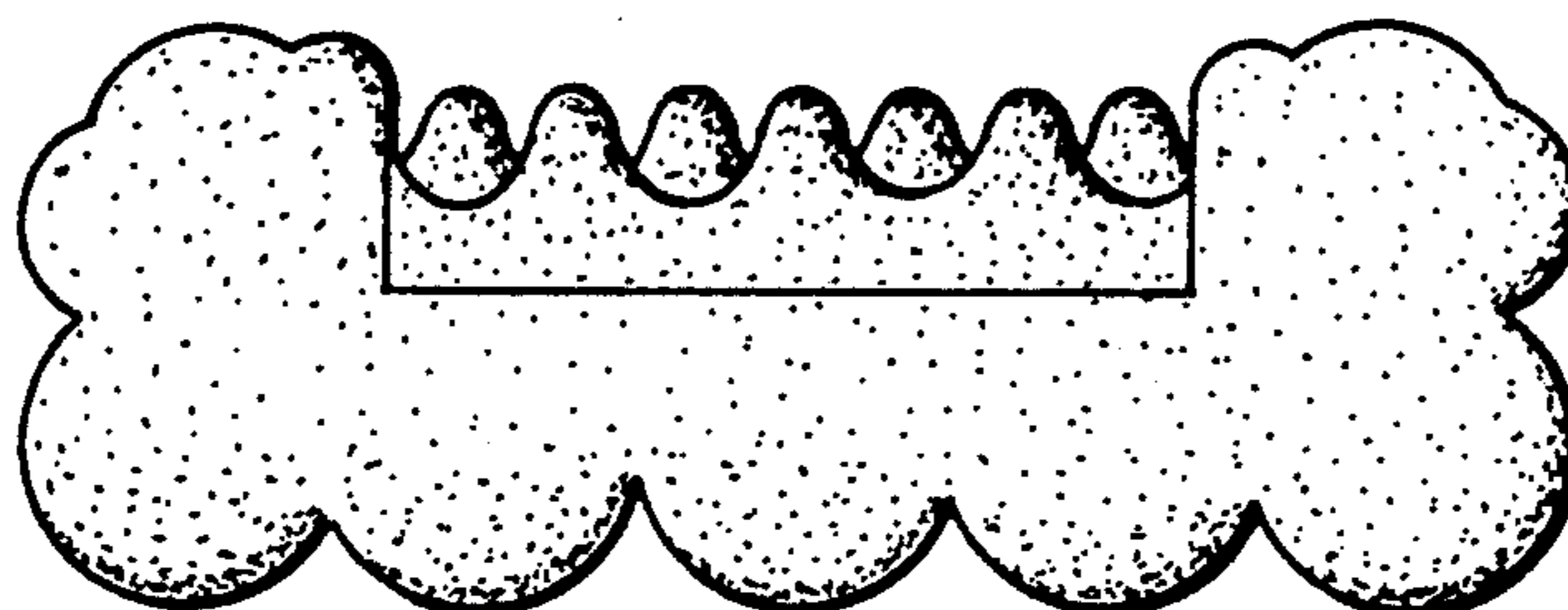


FIG. 4

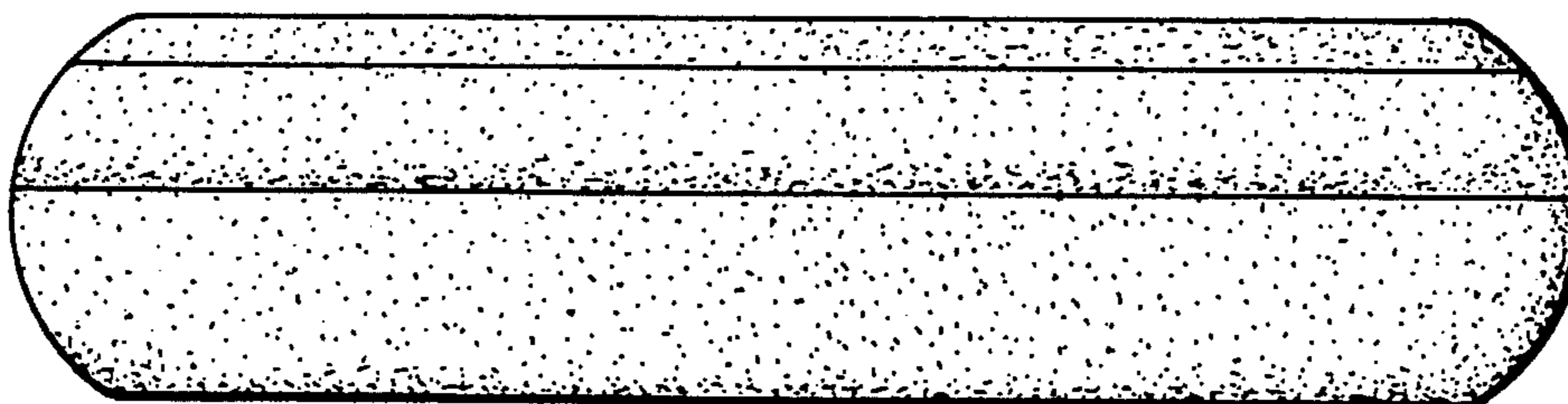


FIG. 5

