

[54] STORAGE UNIT

[76] Inventor: Wolf Ruck, 1720 Lincolnshire Blvd., Mississauga, Ontario, Canada, L5E 2S7

[**] Term: 14 Years

[21] Appl. No.: 440,288

[22] Filed: Nov. 22, 1989

[30] Foreign Application Priority Data

Sep. 7, 1989 [CA] Canada 07-09-89-3

[52] U.S. Cl. D6/553; D6/567; D6/571

[58] Field of Search D6/512, 553, 559-561, D6/567-571, 573-574, 396, 432, 436, 445, 524-525; 211/13, 69.1, 70.6, 70.7, 71, 86-87

[56] References Cited

U.S. PATENT DOCUMENTS

D. 250,305	11/1978	Primiano et al.	D6/574
D. 295,479	5/1988	Plant	D6/574
D. 309,178	7/1990	Lowder, Sr.	D6/524 X
2,718,335	2/1953	Shippen	222/135
3,130,873	6/1961	Klutz	222/131
3,349,967	4/1966	Schneller	222/130

3,718,234	2/1973	Bagguley	222/135
3,893,615	7/1975	Johnson	108/28 X
3,990,611	11/1976	Sojka	222/135

OTHER PUBLICATIONS

Housewares (1/1974)-supplement-"Personal Care Center".

Primary Examiner—Susan J. Lucas
Assistant Examiner—Brian N. Vinson
Attorney, Agent, or Firm—Smart & Biggar

[57] CLAIM

The ornamental design for a storage unit, as shown and described.

DESCRIPTION

FIG. 1 is a top, front, and right side perspective view of a storage unit showing my new design, the left side being a mirror image of that shown and the bottom being plain and unornamented;
FIG. 2 is a rear elevational view thereof;
FIG. 3 is a top plan view thereof; and
FIG. 4 is a top, front, and right side perspective view of an alternate embodiment thereof, the left side being a mirror image of that shown and the bottom being plain and unornamented.

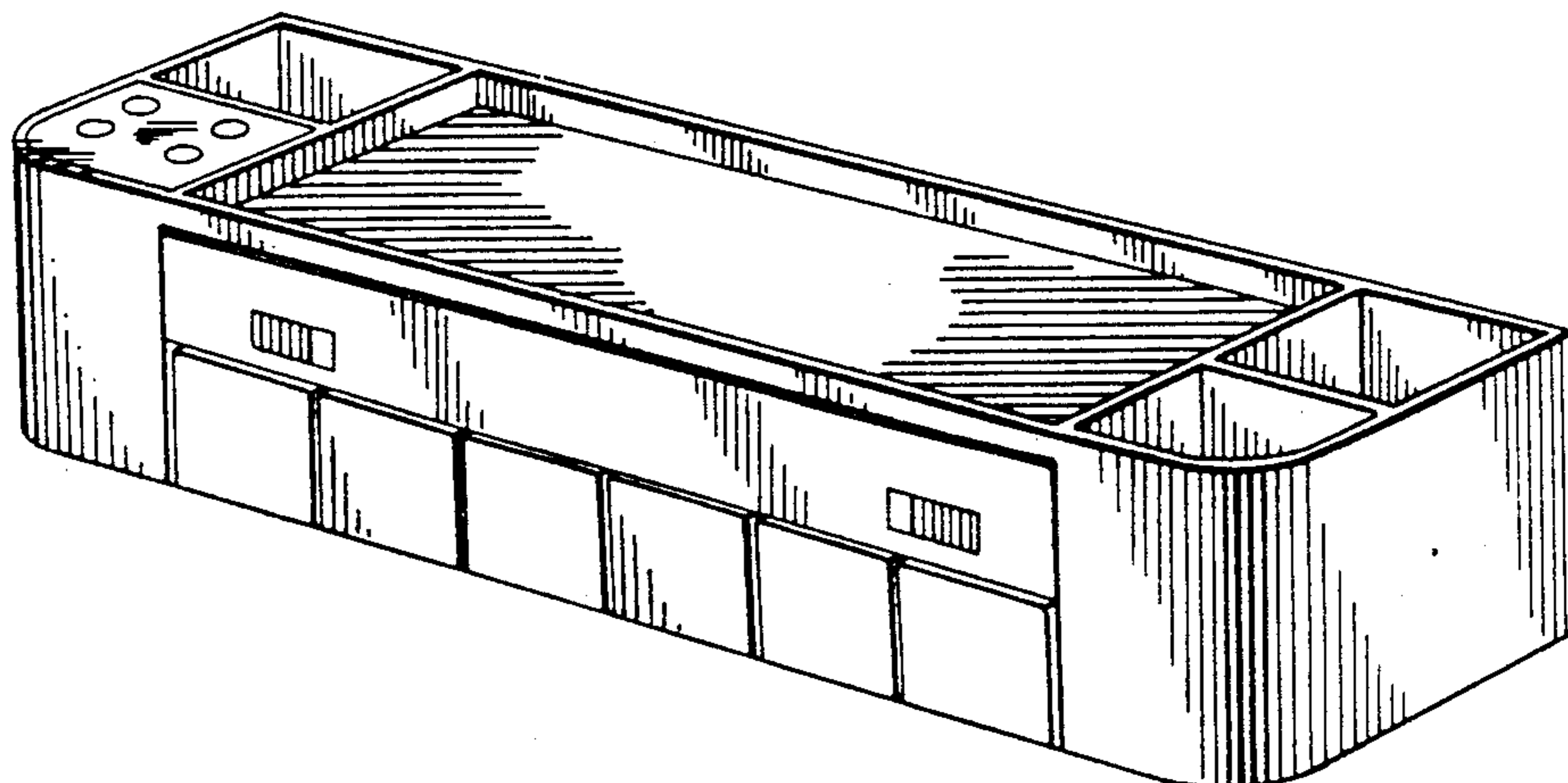
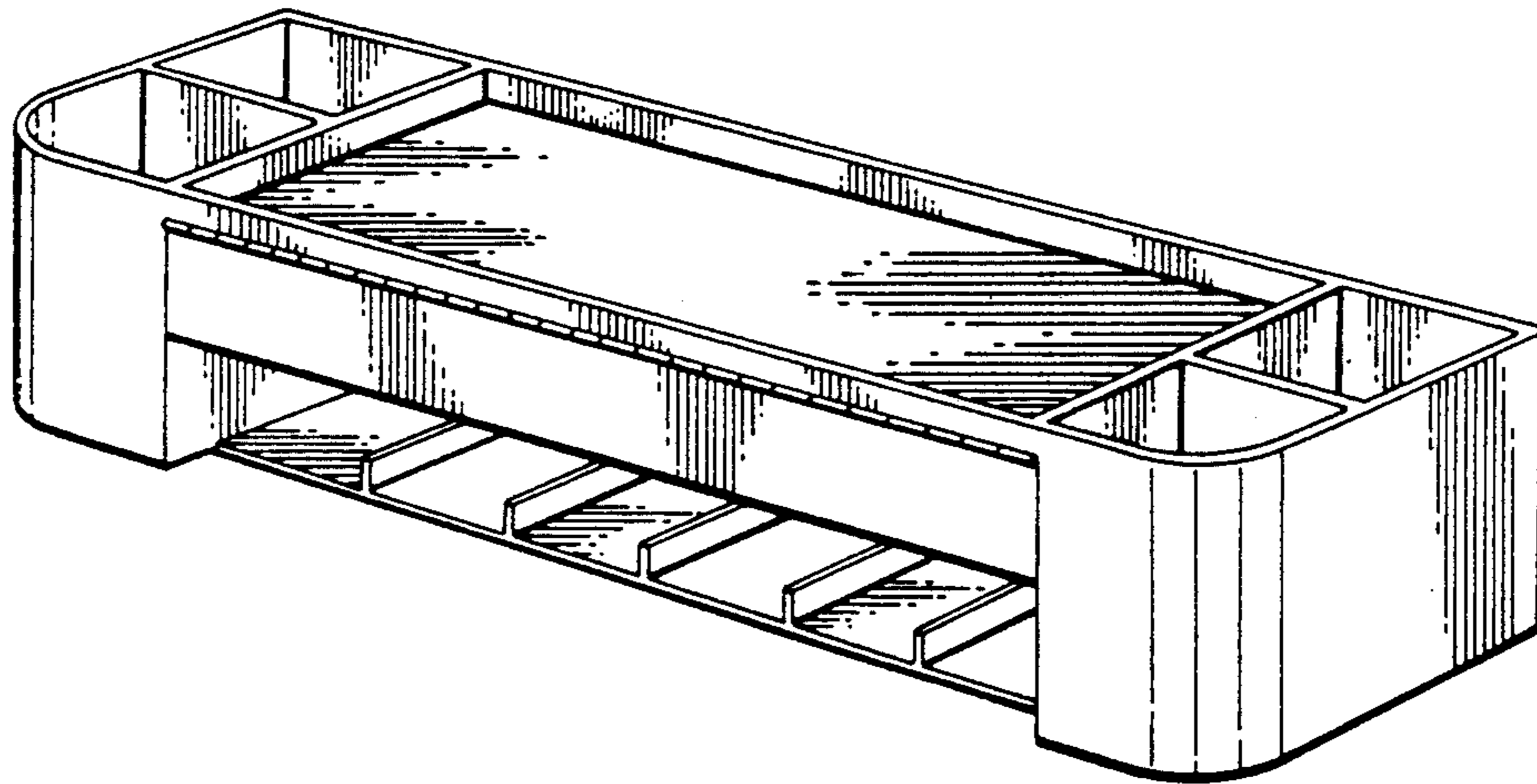


FIG. 1.

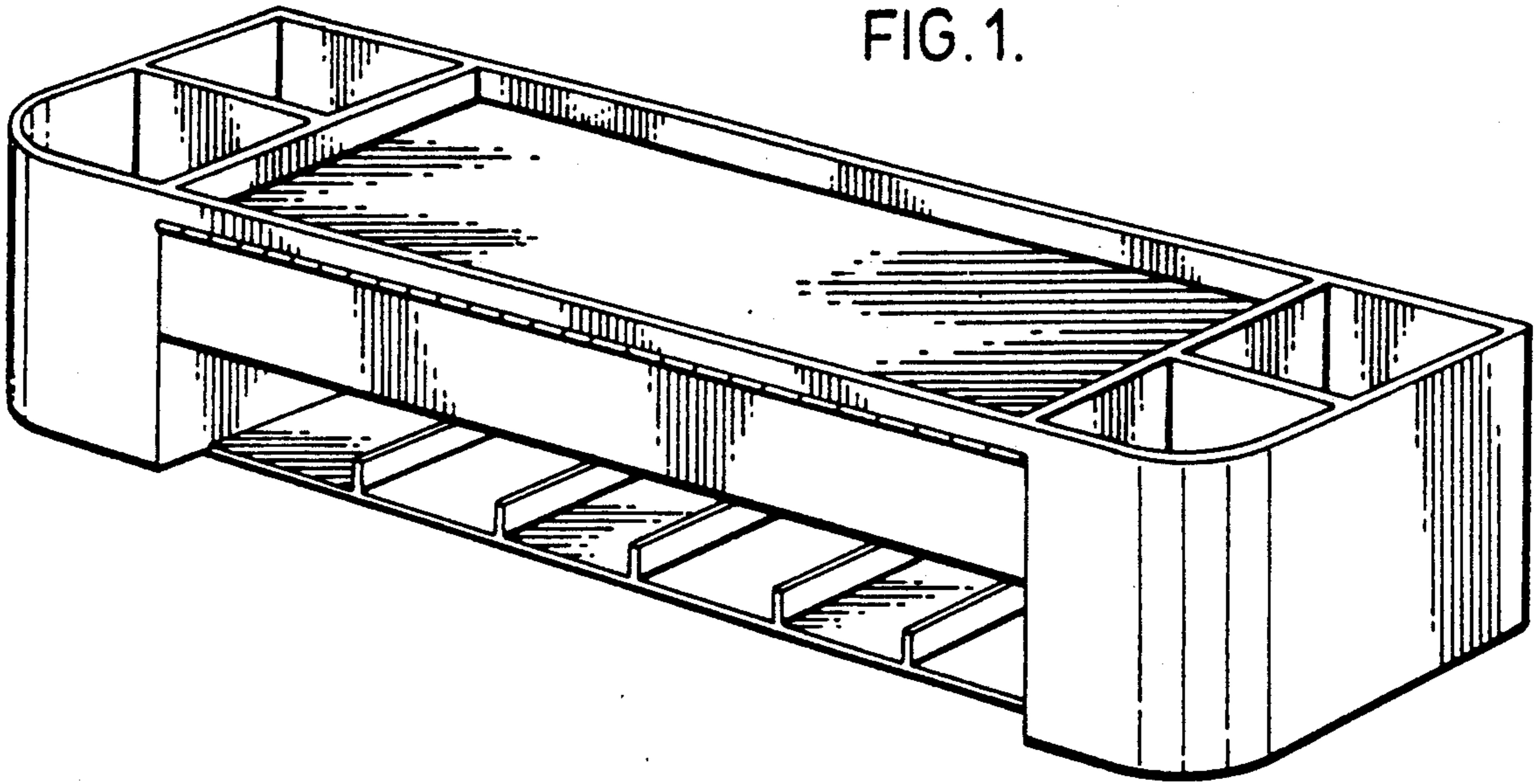


FIG. 2.

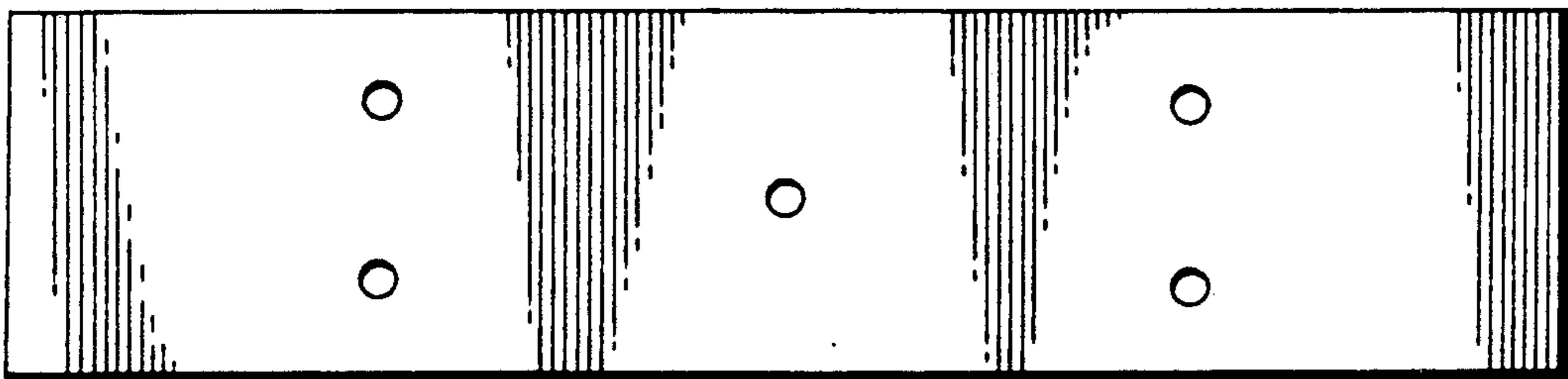
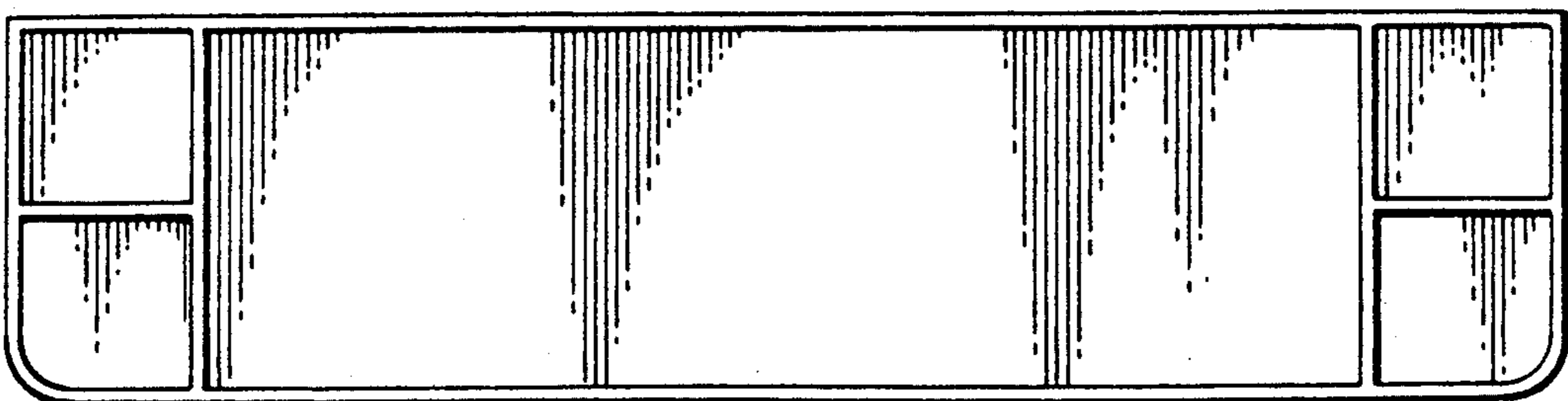


FIG. 3.



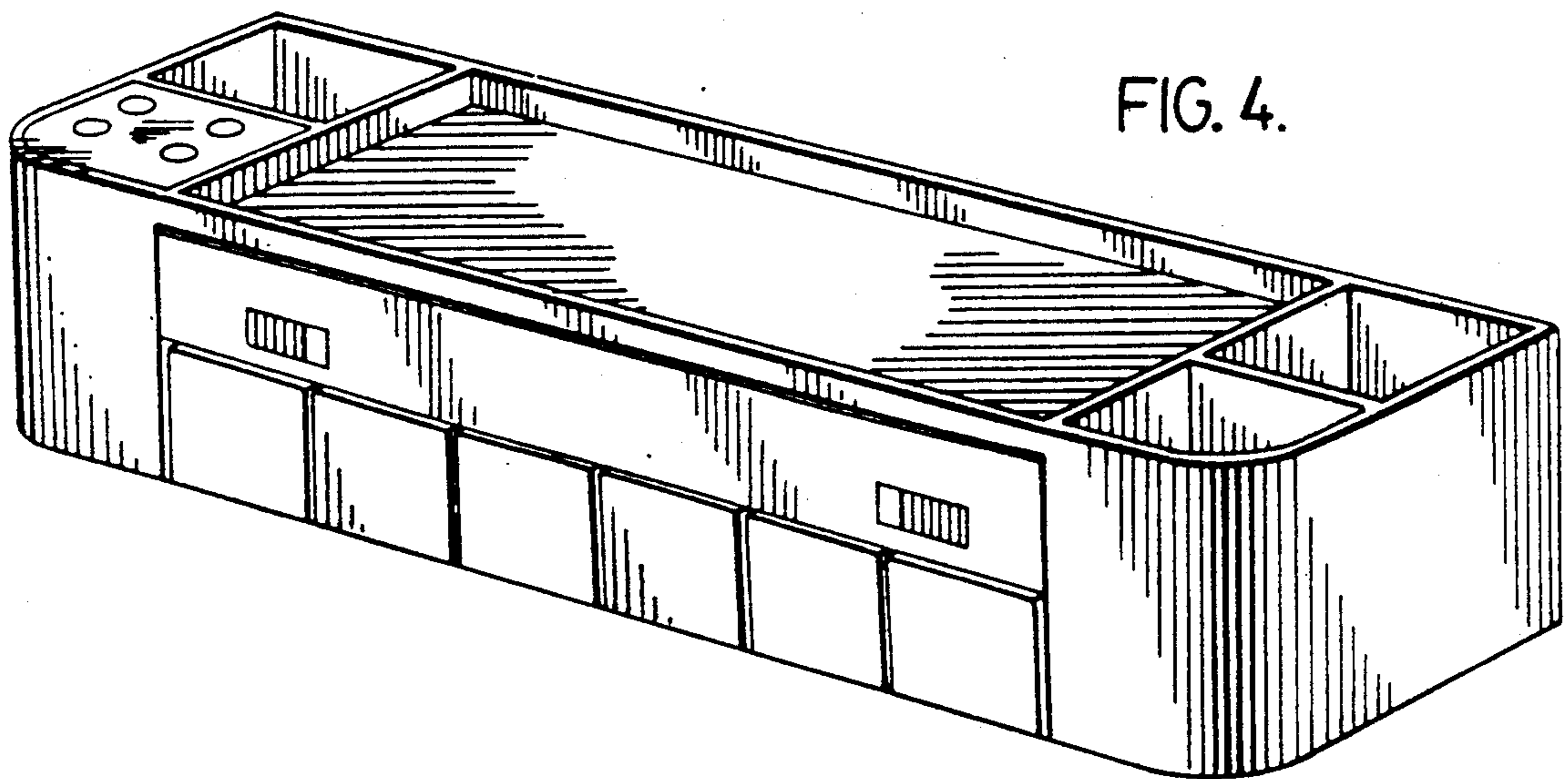


FIG. 4.