

[54] SWINGING BUNK

[75] Inventors: James R. McCain; Billy F. Murphy,
both of Tucumcari, N. Mex.

[73] Assignee: M & M Manufacturing, Inc., South
Rock Island, N. Mex.

[**] Term: 14 Years

[21] Appl. No.: 29,595

[22] Filed: Mar. 24, 1987

[52] U.S. Cl. D6/385; D6/504

[58] Field of Search D6/389, 506, 495, 390,
D6/385, 503, 388, 393, 505, 386, 391, 387, 386,
344, 347; 5/120, 127, 113

[56] References Cited

U.S. PATENT DOCUMENTS

| | | | | |
|------------|--------|---------------|-------|----------|
| 49,273 | 6/1916 | Murphy | | D6/389 |
| 96,029 | 6/1935 | Fox | | D6/495 |
| D. 296,931 | 7/1988 | Harris et al. | | D6/503 X |
| 1,386,236 | 8/1921 | Chambers | | D6/586 X |

FOREIGN PATENT DOCUMENTS

763827 2/1934 France 5/113

Primary Examiner—Bruce W. Dunkins

Assistant Examiner—Janice E. Seeger

Attorney, Agent, or Firm—Bill D. McCarthy; Glen M.
Burdick

[57] CLAIM

The ornamental design for a swinging bunk, as shown
and described.

DESCRIPTION

FIG. 1 is a perspective view of a swinging bunk show-
ing our new design;

FIG. 2 is a side elevational view;

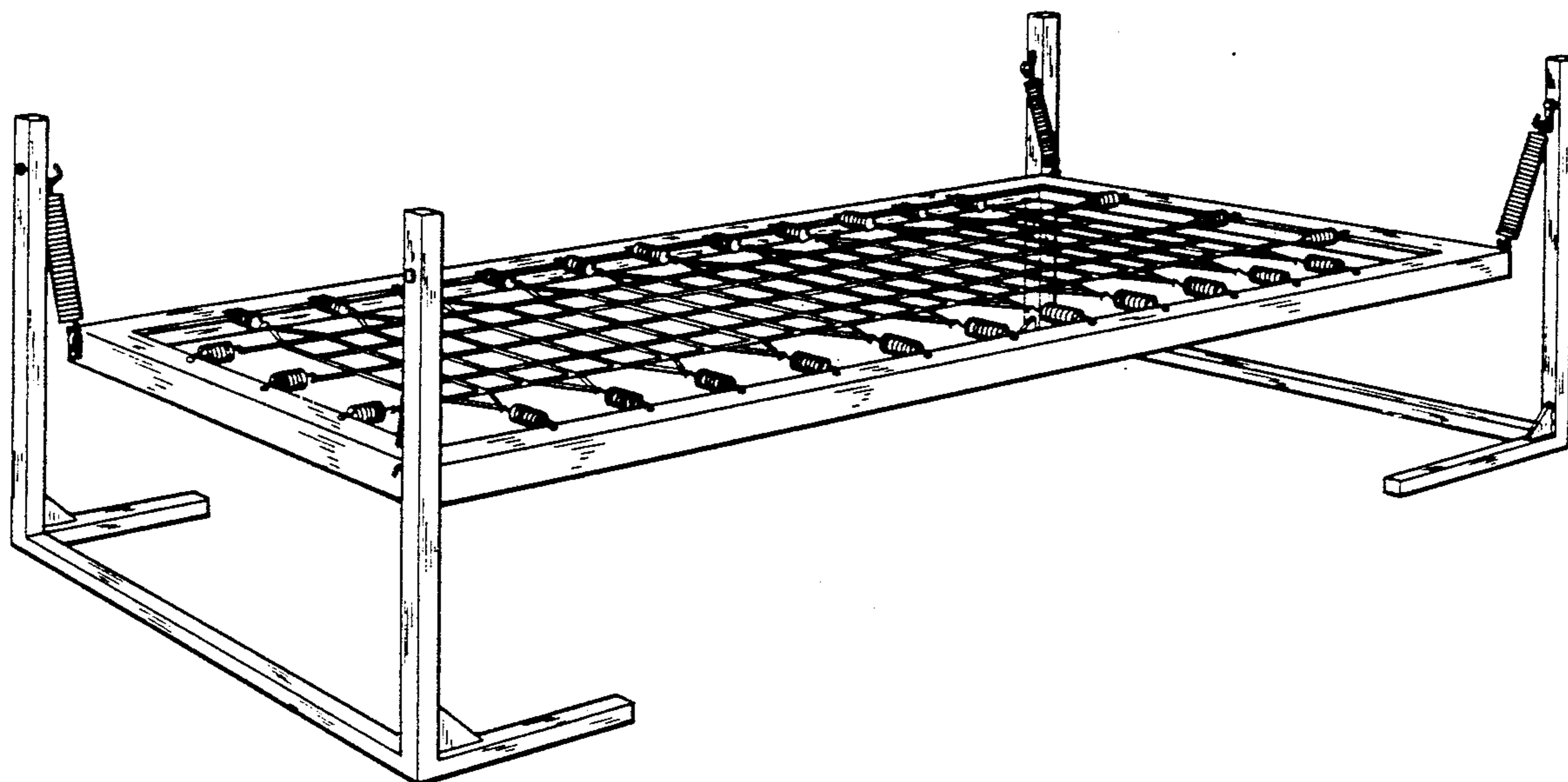
FIG. 3 is an elevational view, showing the side not
shown in FIG. 2;

FIG. 4 is an end elevational view; and

FIG. 5 is an elevational view, showing the end not
shown in FIG. 4.

FIG. 6 is a top plan view thereof; and

FIG. 7 is a bottom plan view thereof.



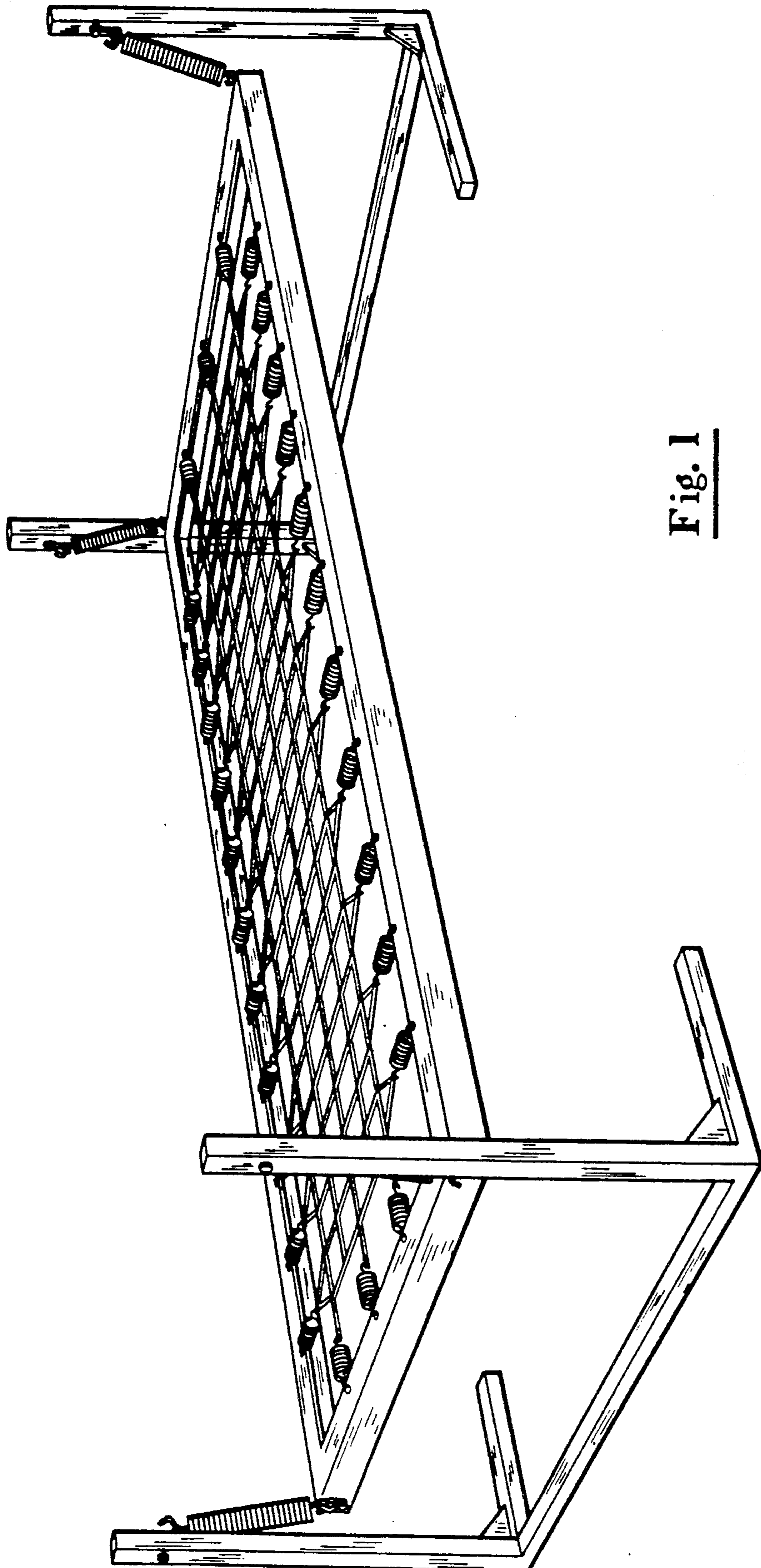


Fig. 1

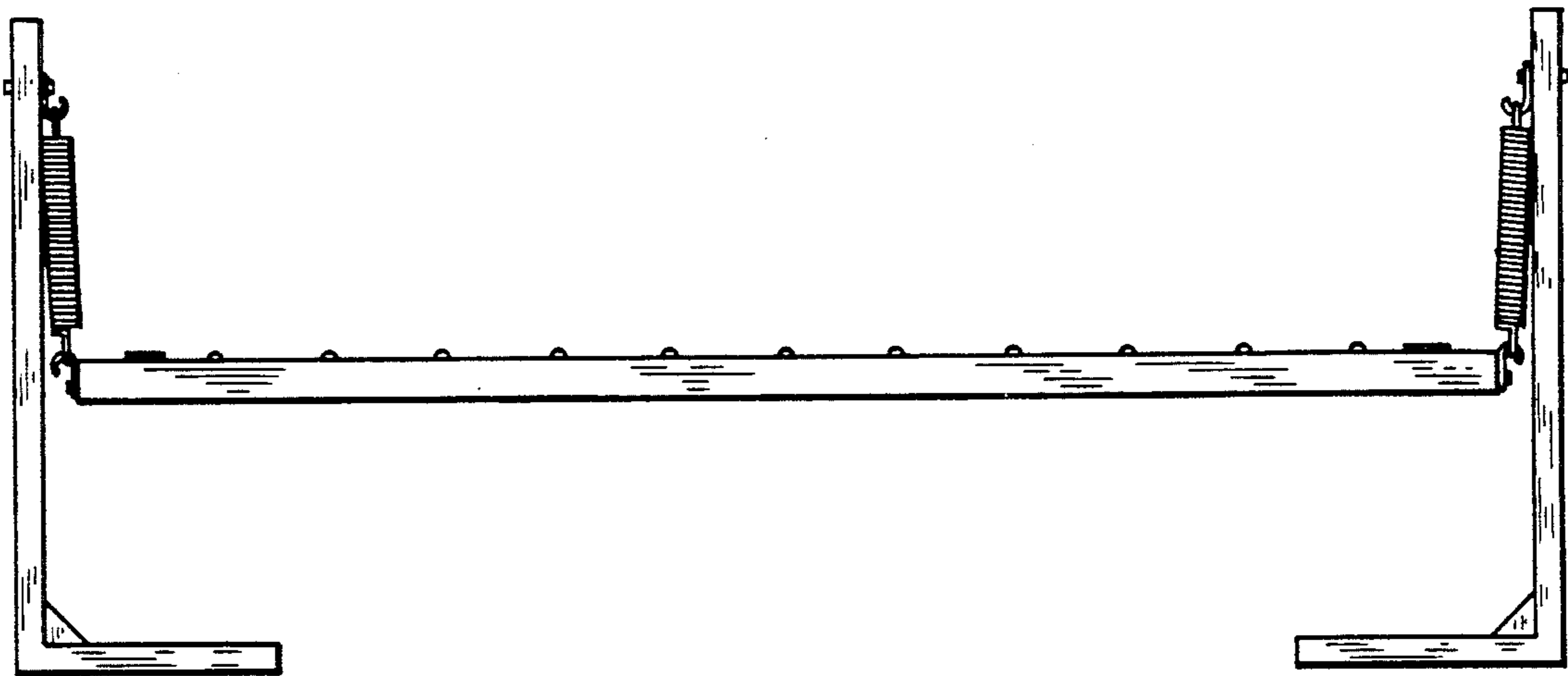


Fig. 2

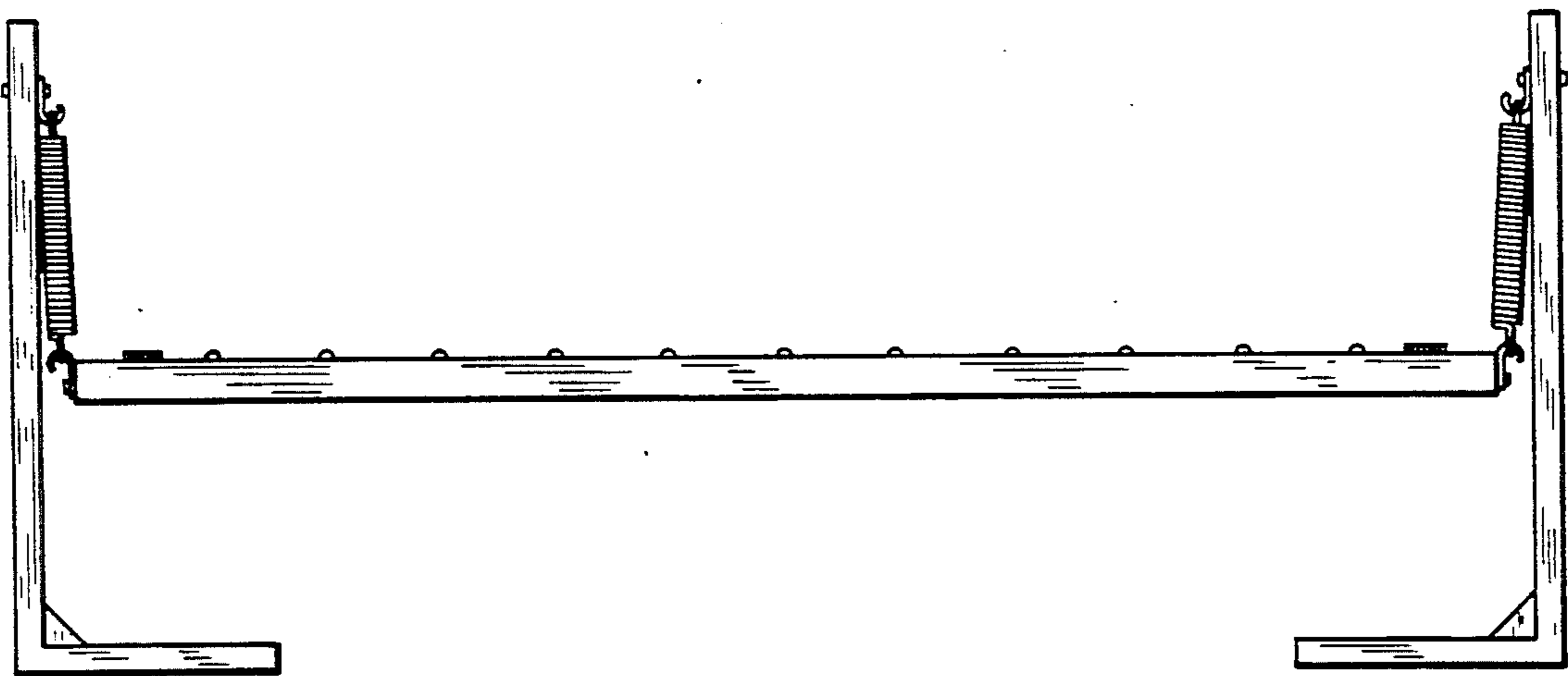


Fig. 3

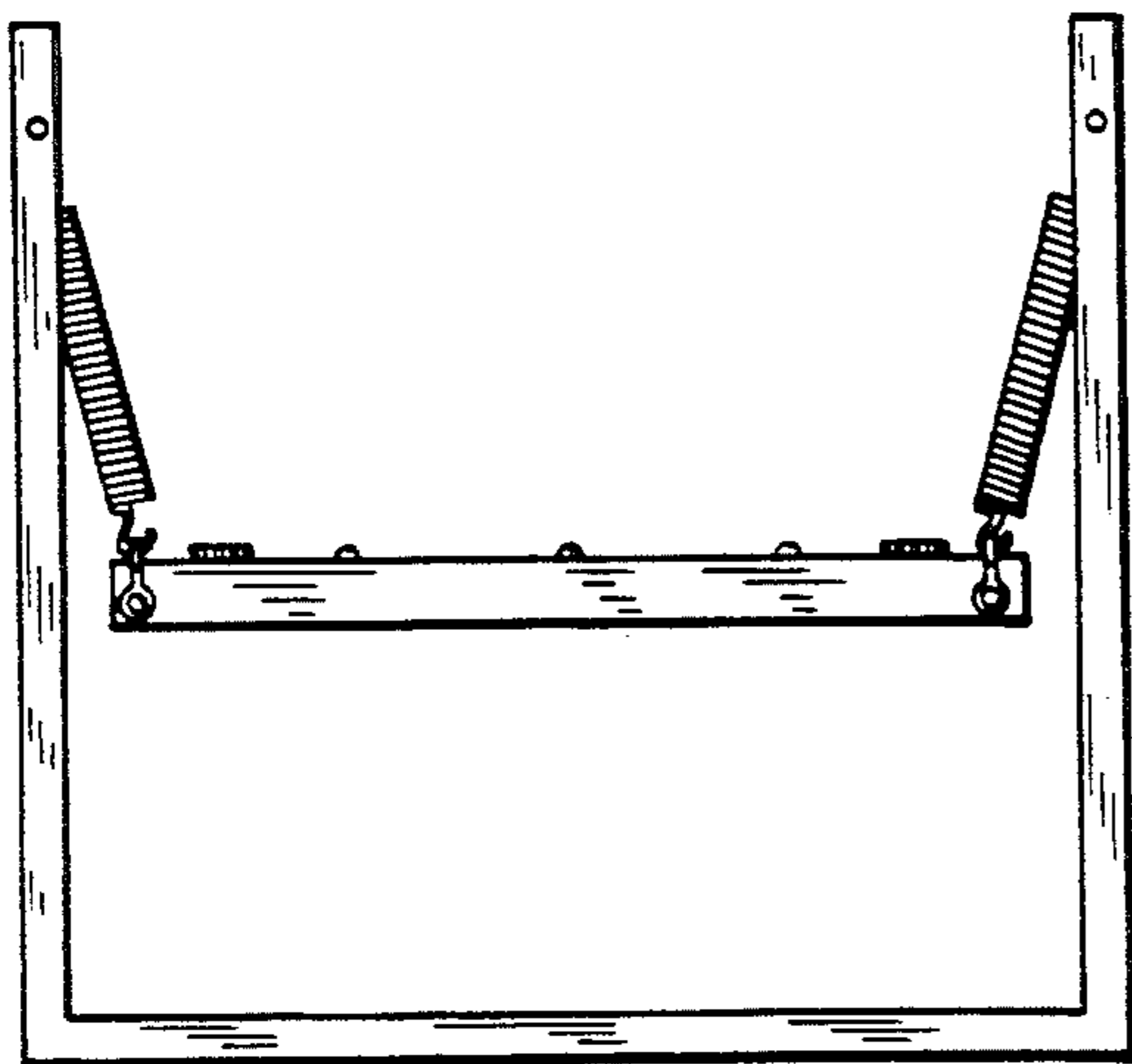


Fig. 4

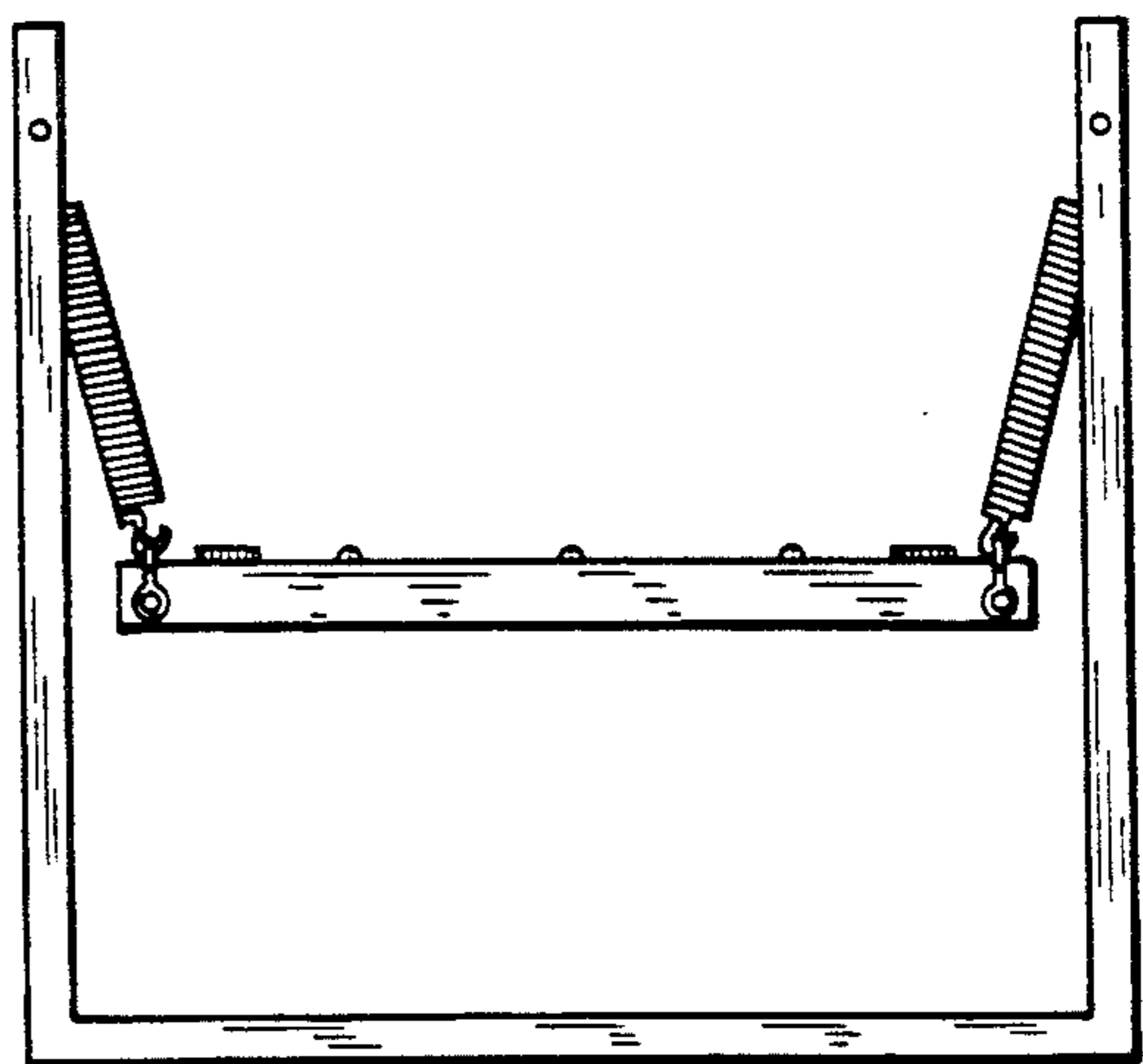


Fig. 5

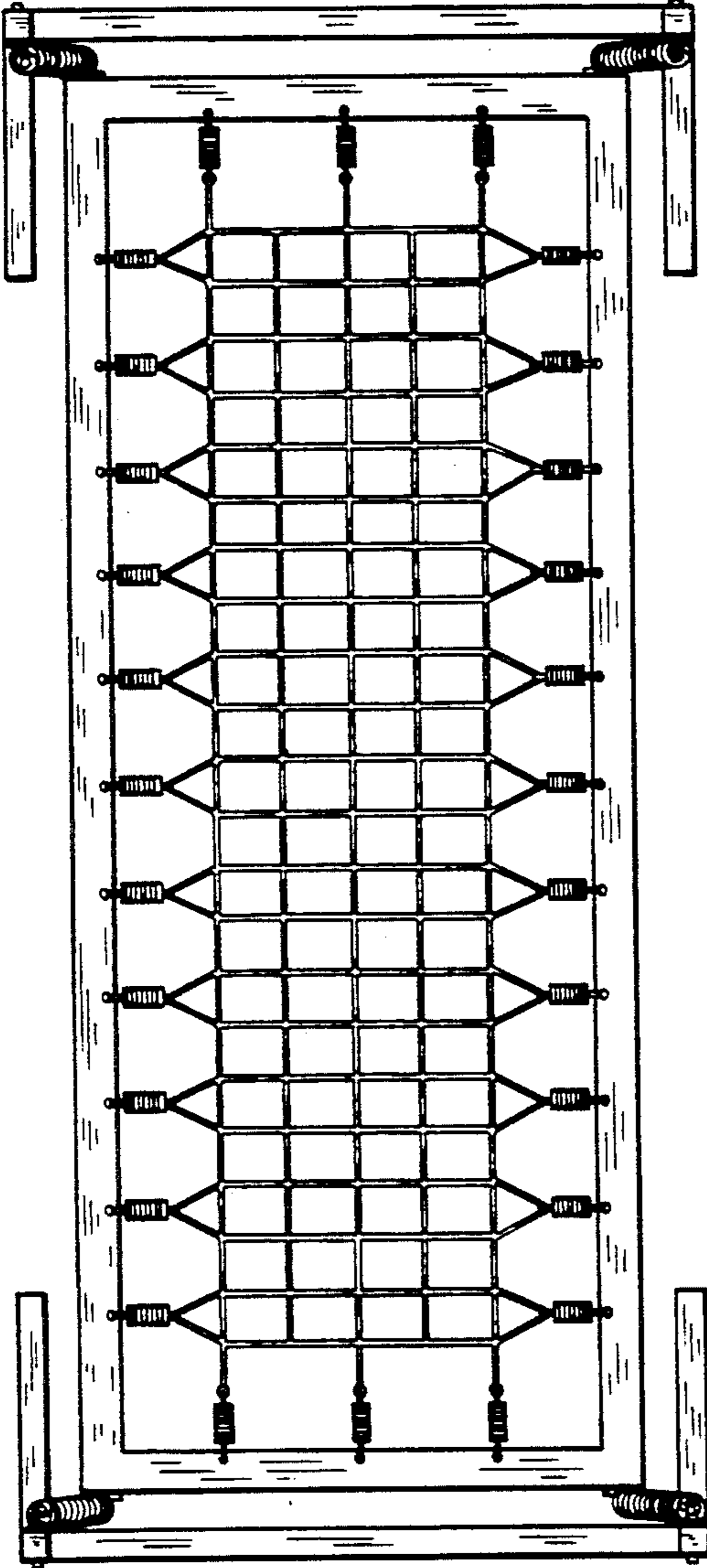


Fig. 6

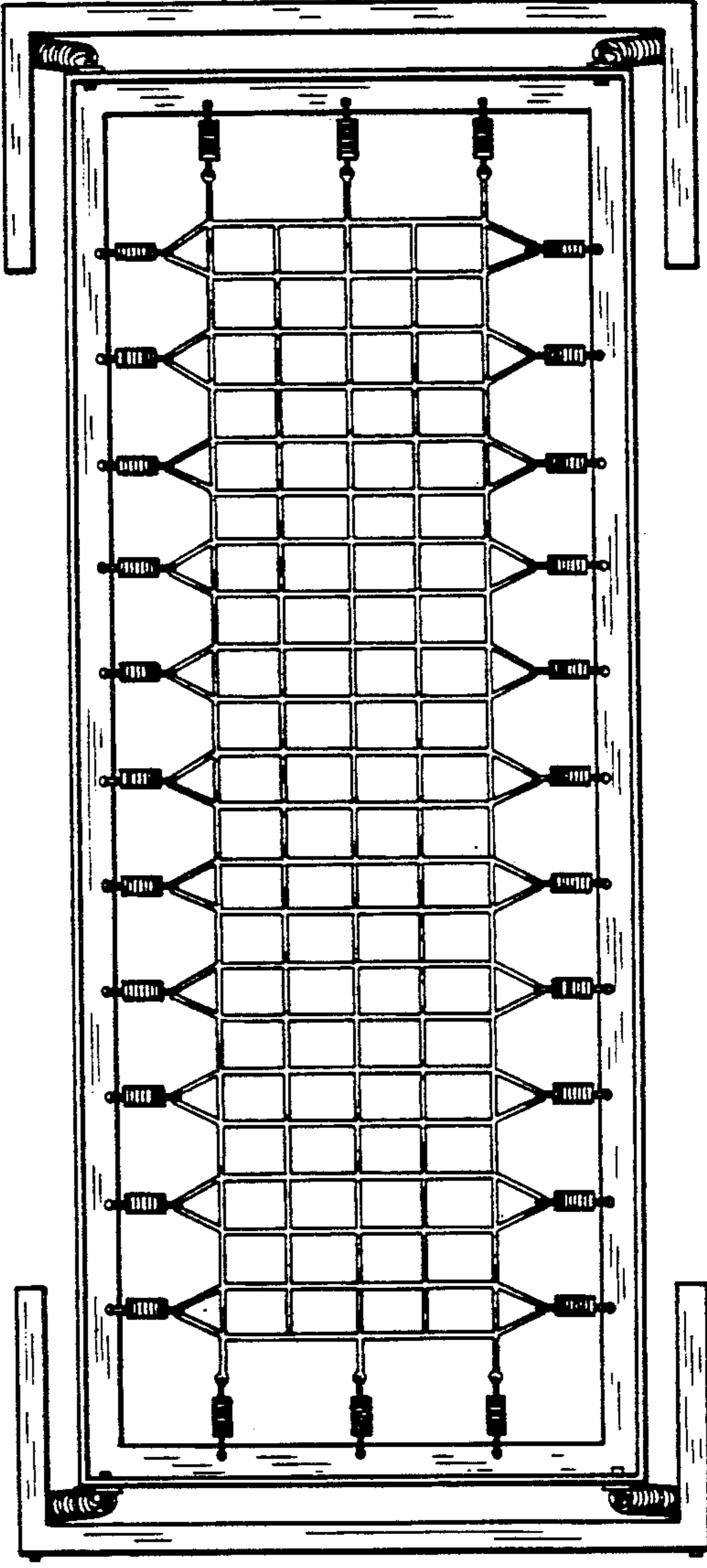


Fig. 7