

[54] CHAIR

[76] Inventor: Arno Votteler, Hauptmannsreute 28, 7000 Stuttgart, Fed. Rep. of Germany

[**] Term: 14 Years

[21] Appl. No.: 510,408

[22] Filed: Apr. 17, 1990

[52] U.S. Cl. D6/379; D6/380

[58] Field of Search D6/334, 379, 380

[56] References Cited

U.S. PATENT DOCUMENTS

D. 229,804	1/1974	Hassinger	D6/374
D. 235,712	7/1975	Laylon	D6/374
D. 236,395	8/1975	Kinsman	D6/374
D. 238,321	1/1976	Lindau et al.	D6/374
D. 260,826	9/1981	Steinberger	D6/374
D. 262,167	12/1981	Steinberger	D6/374
D. 269,748	7/1983	Berlic	D6/334
D. 278,767	5/1985	Lundquist	D6/380
D. 288,152	2/1987	Spindle et al.	D6/380
D. 289,348	4/1987	Snodgrass	D6/379
D. 295,588	5/1988	Heitlinger	D6/379
D. 301,946	7/1989	Meyer	D6/375

OTHER PUBLICATIONS

Industrial Design, Nov./Dec. 1978, p. 43, Chair, bottom left corner.

Domus #613, Jan. 1981, p. 46, Chair, lower center left.

Loewenstein/Oggo Catalist 15, Jun. 1986, p. 28, Chairs 887 and 890 B.

Krueger Catalog Brochure, Versa Seating, Sep. 86, front page, chair.

Primary Examiner—Bruce W. Dunkins

Assistant Examiner—Gary D. Watson

Attorney, Agent, or Firm—Rhodes, Coats & Bennett

[57] CLAIM

The ornamental design for a chair, as shown and described.

DESCRIPTION

FIG. 1 is a front perspective view of the chair showing my new design;

FIG. 2 is a front elevational view;

FIG. 3 is a side elevational view;

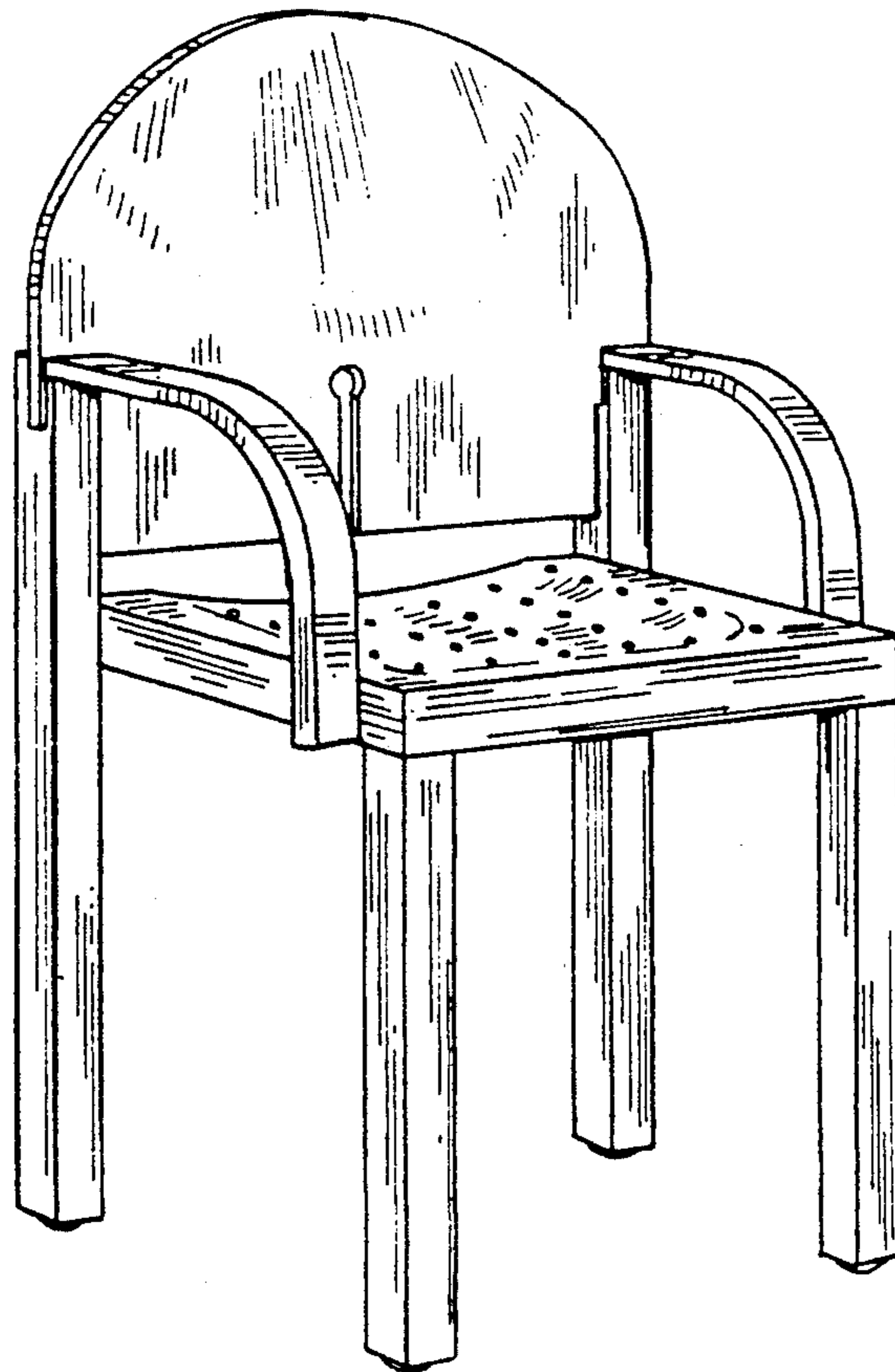
FIG. 4 is a rear elevational view; and

FIG. 5 is a top plan view thereof;

FIG. 6 is a front perspective view of a second embodiment of the chair showing my new design;

FIG. 7 is a rear elevational view thereof; and

FIG. 8 is a front perspective view of a third embodiment of the chair showing my new design.



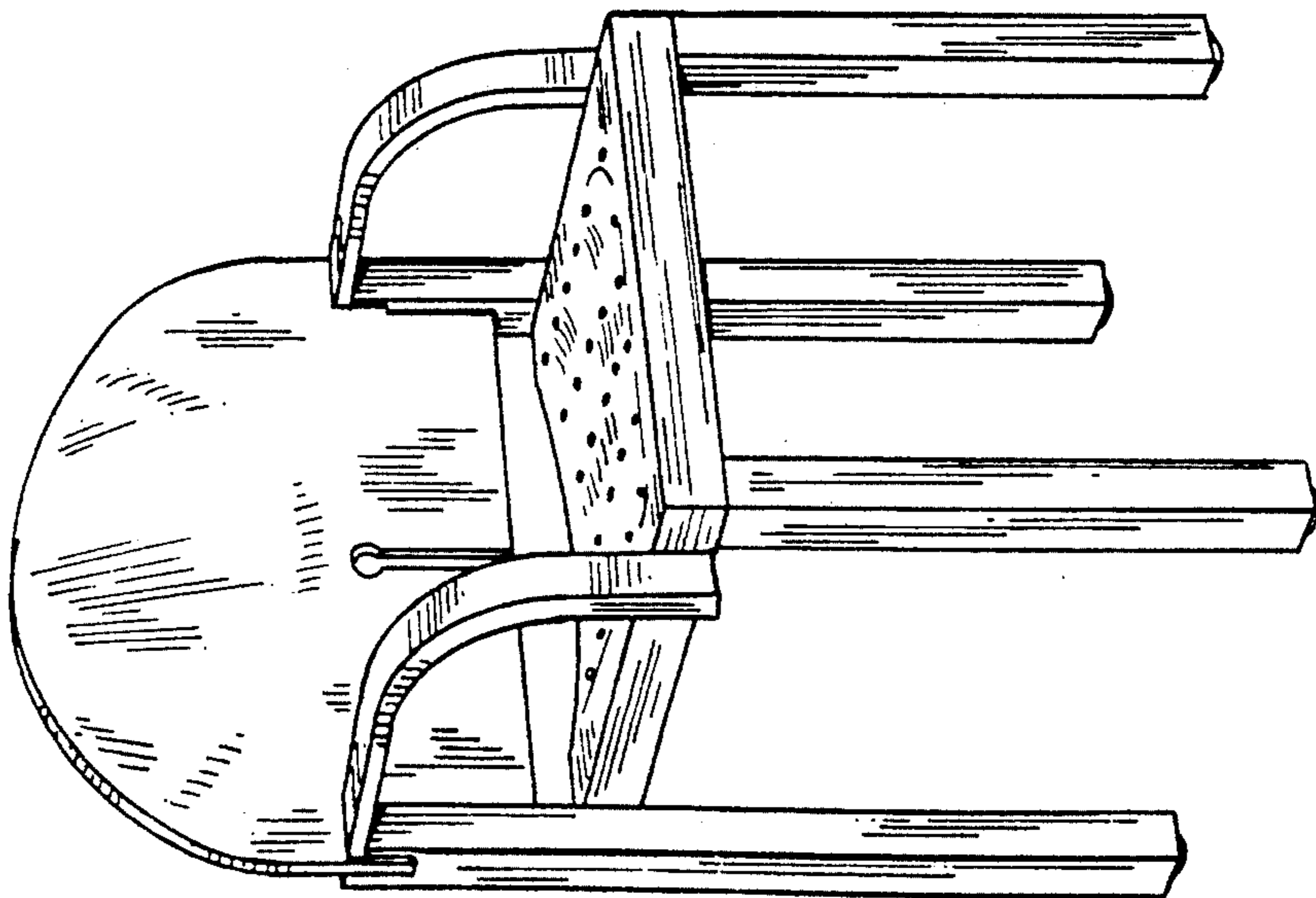


FIG. 1

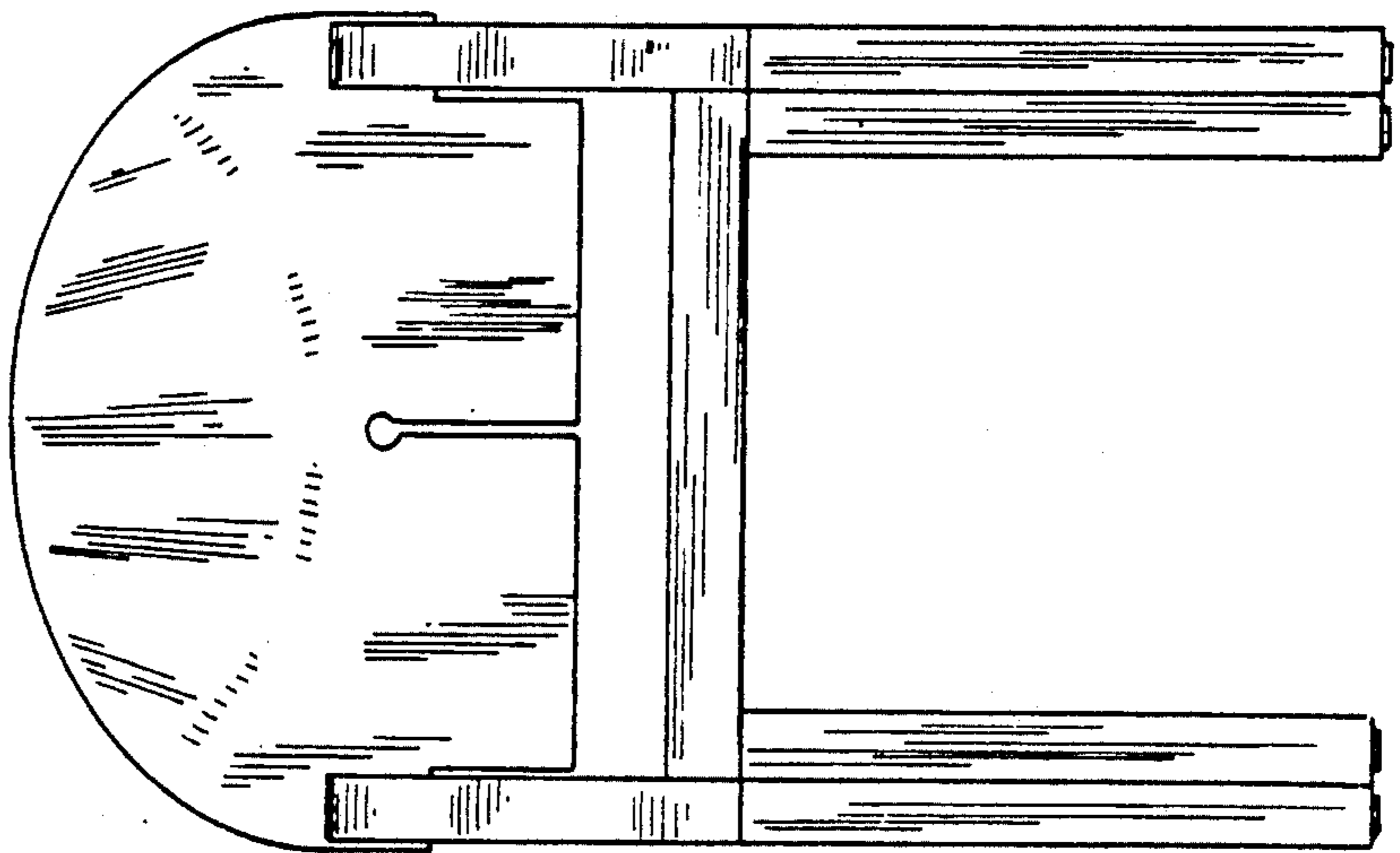


FIG. 2

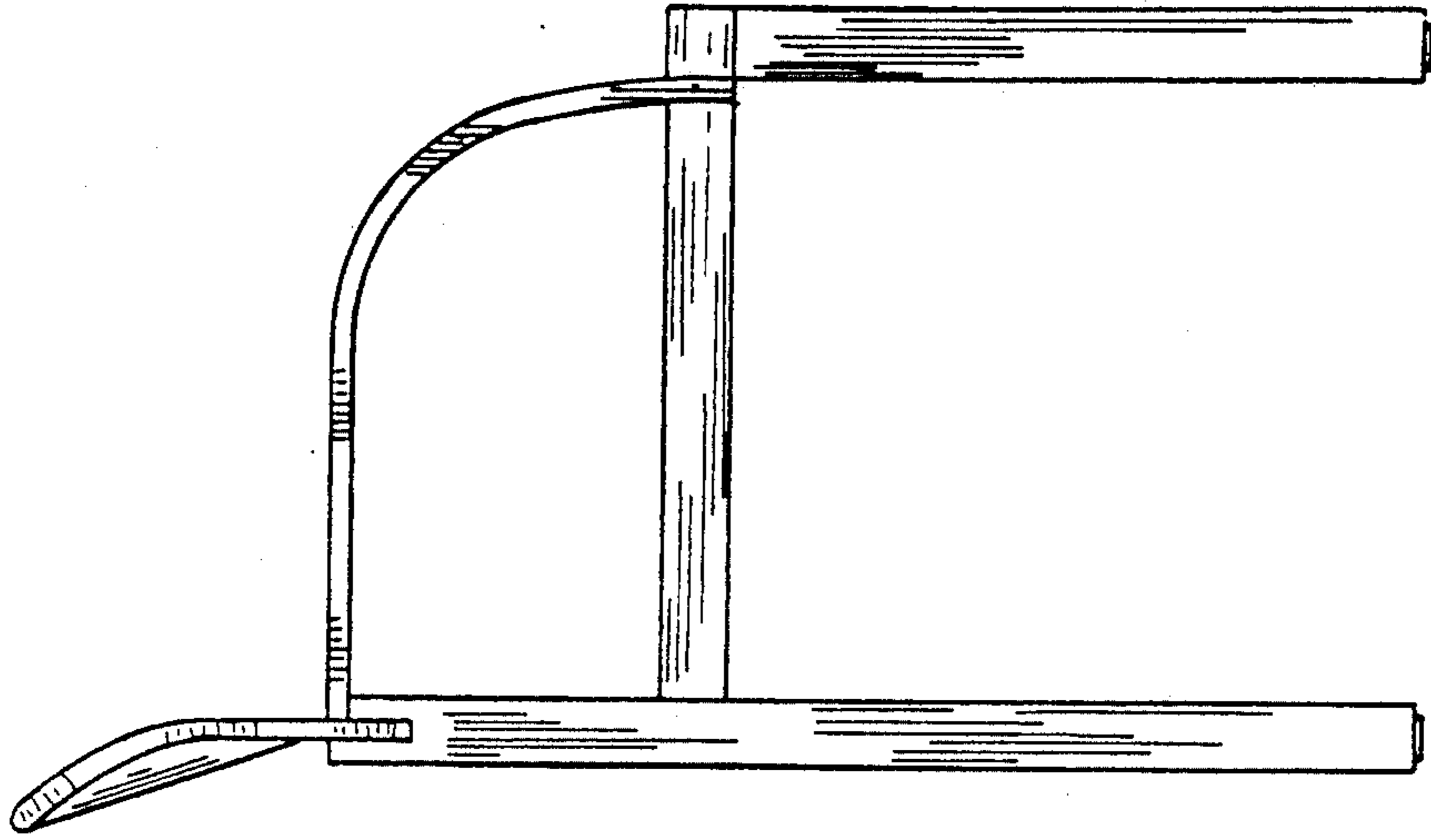


FIG. 3

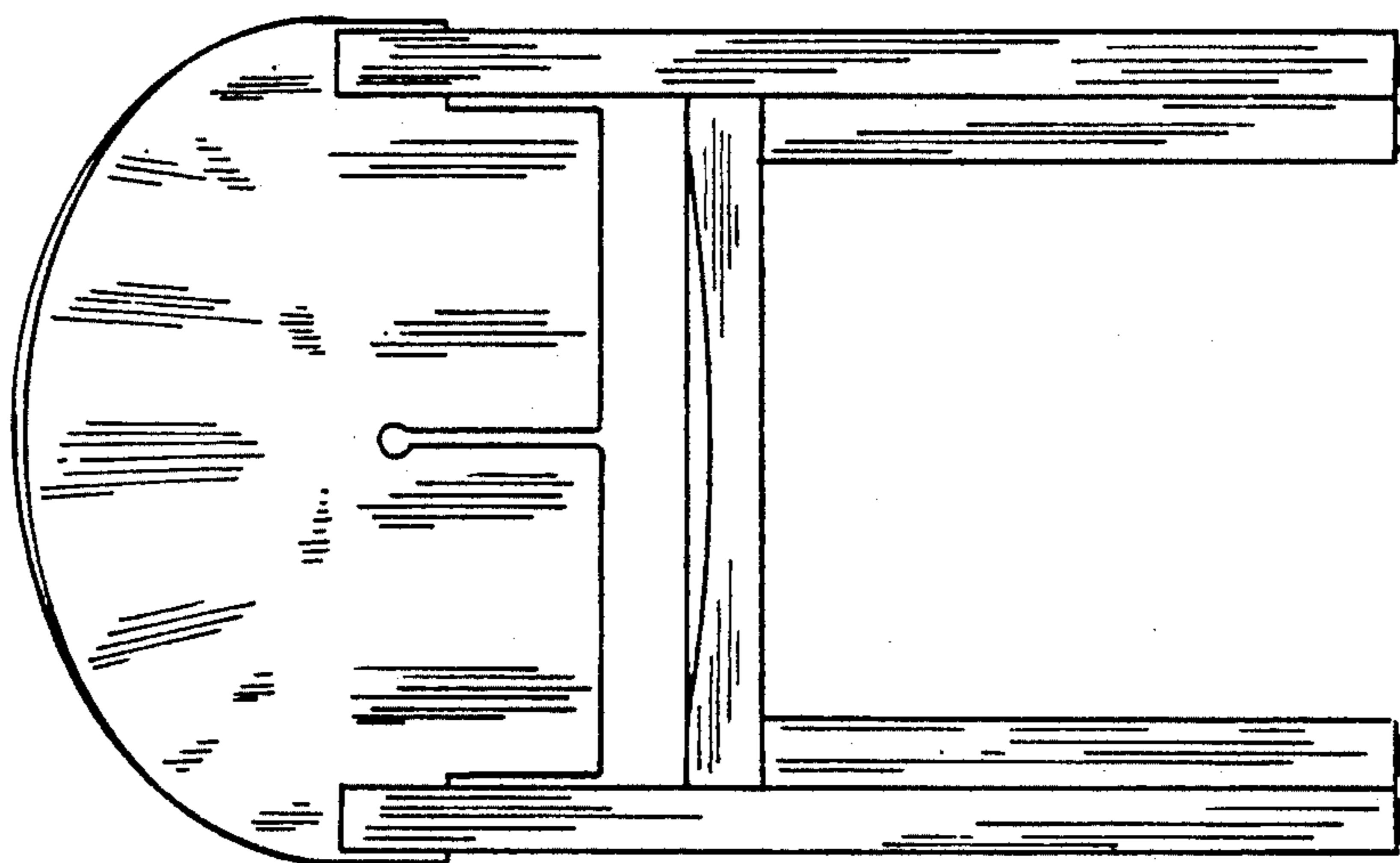


FIG. 4

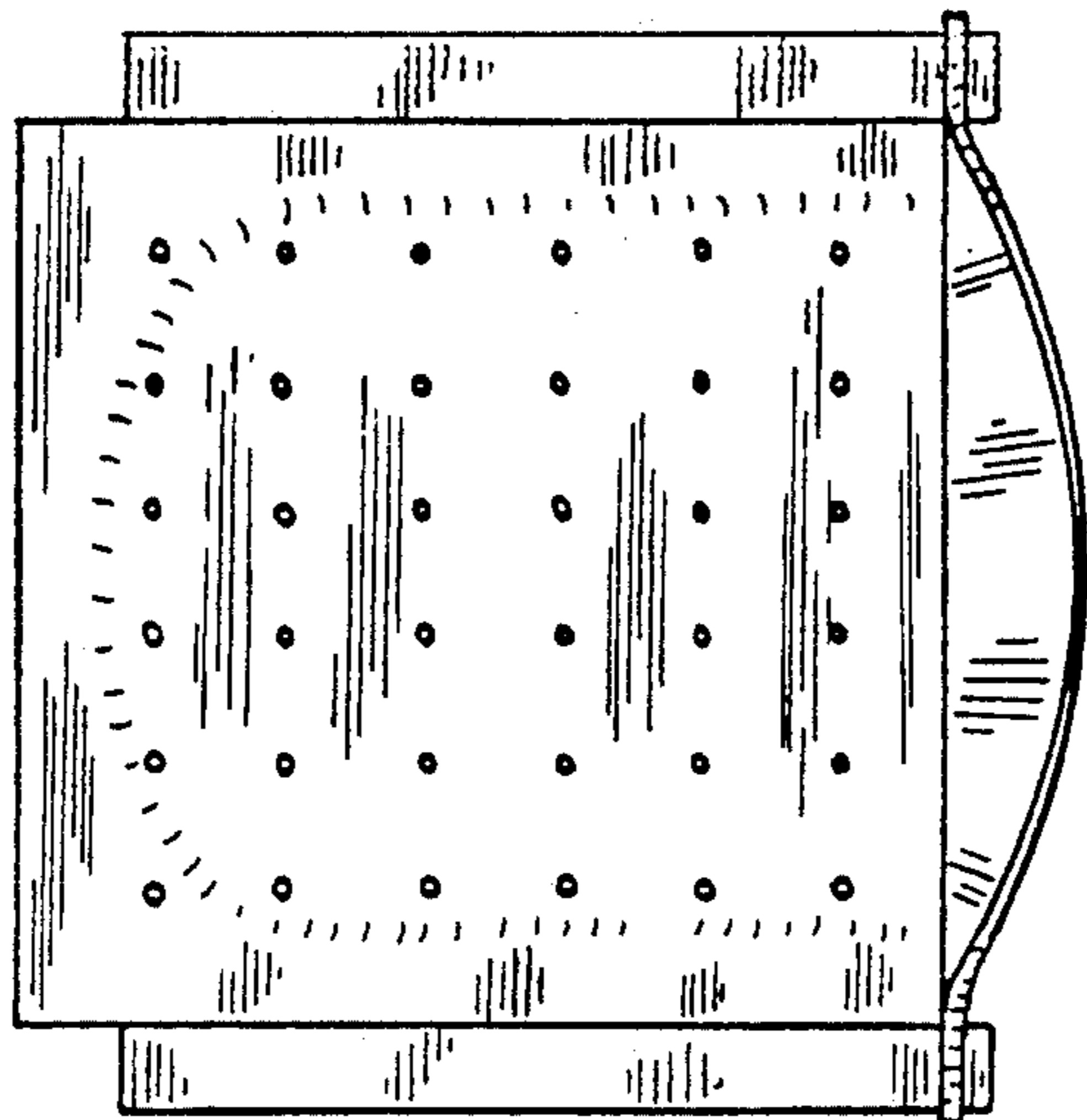


FIG. 5

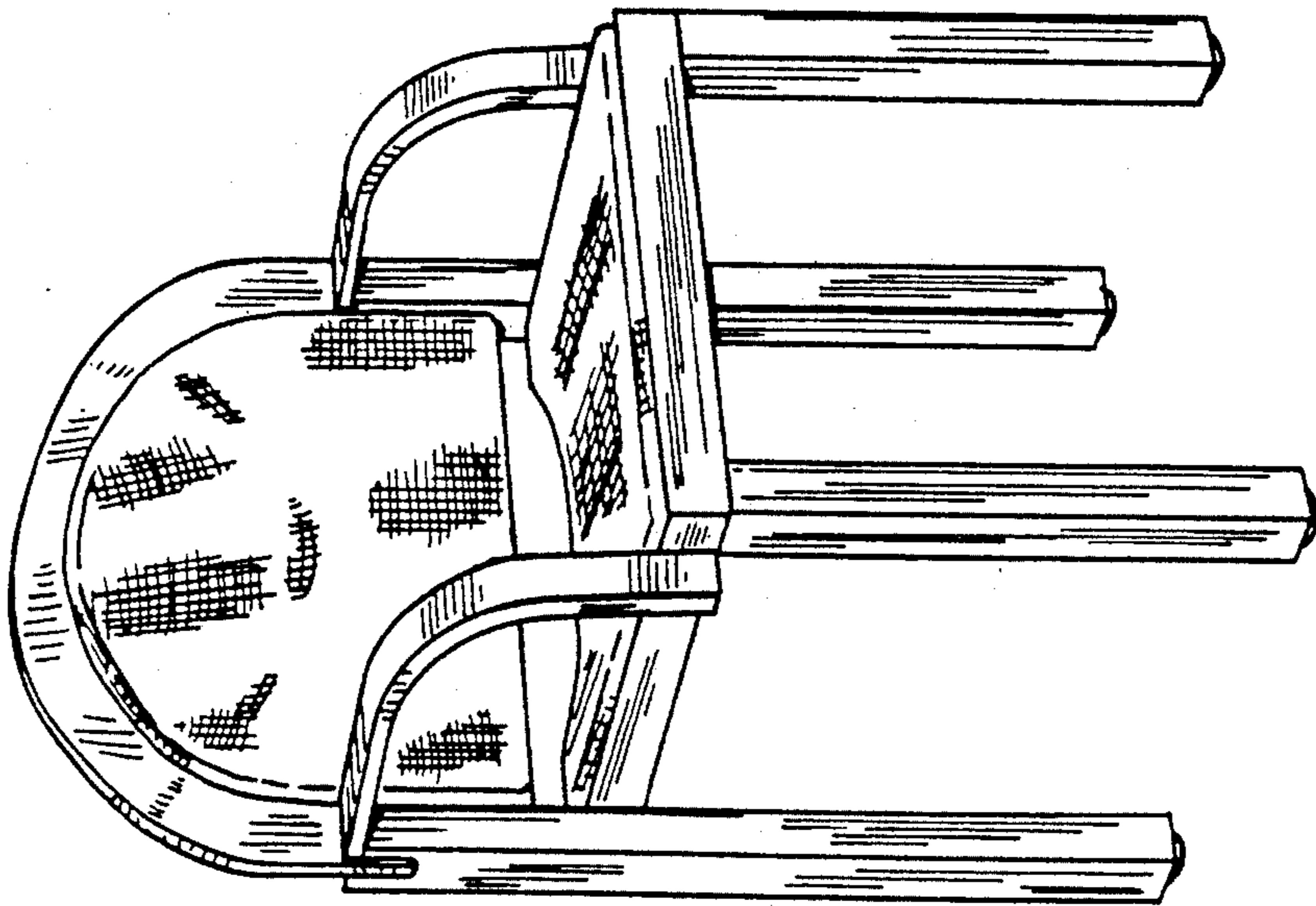


FIG. 6

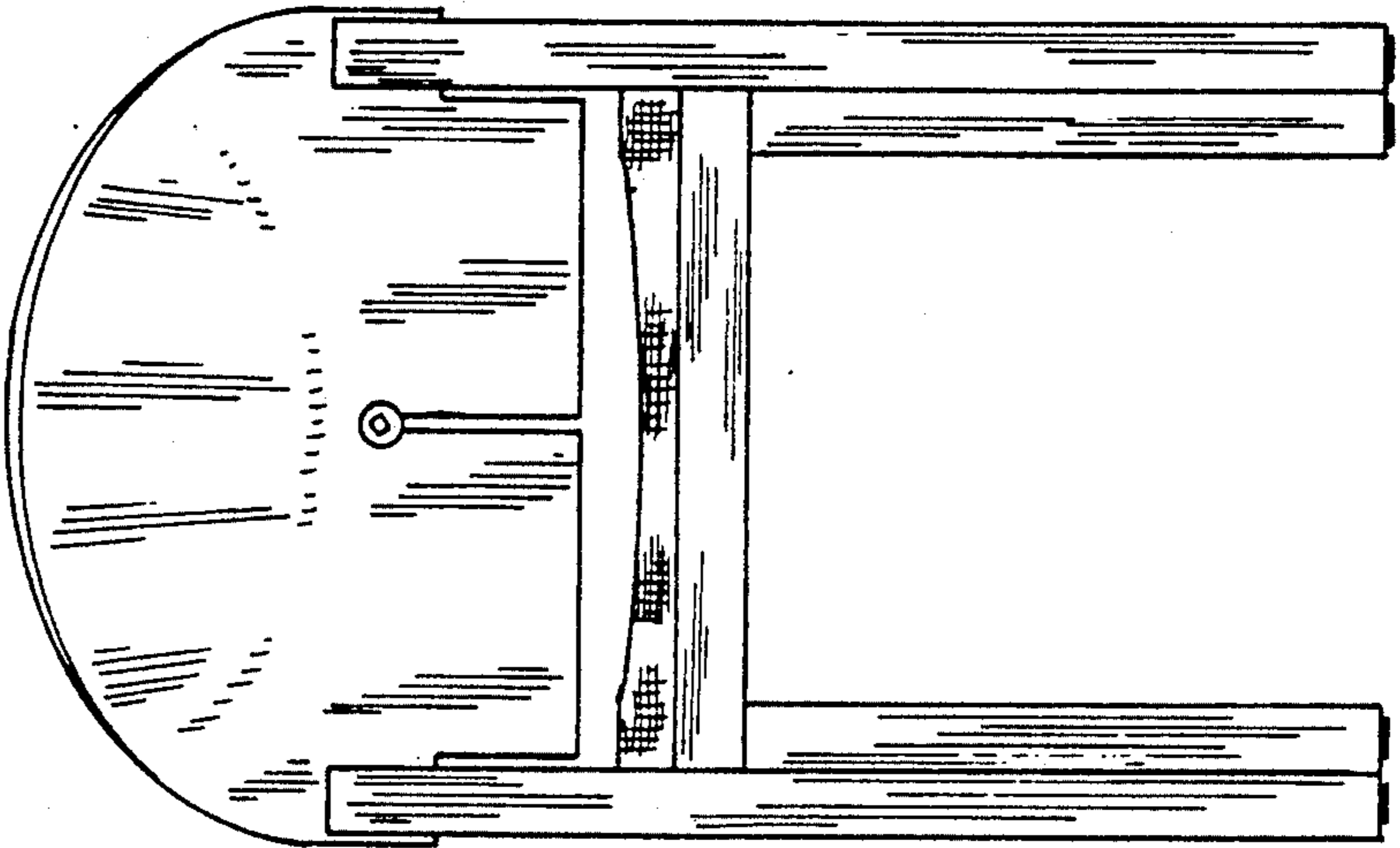


FIG. 7

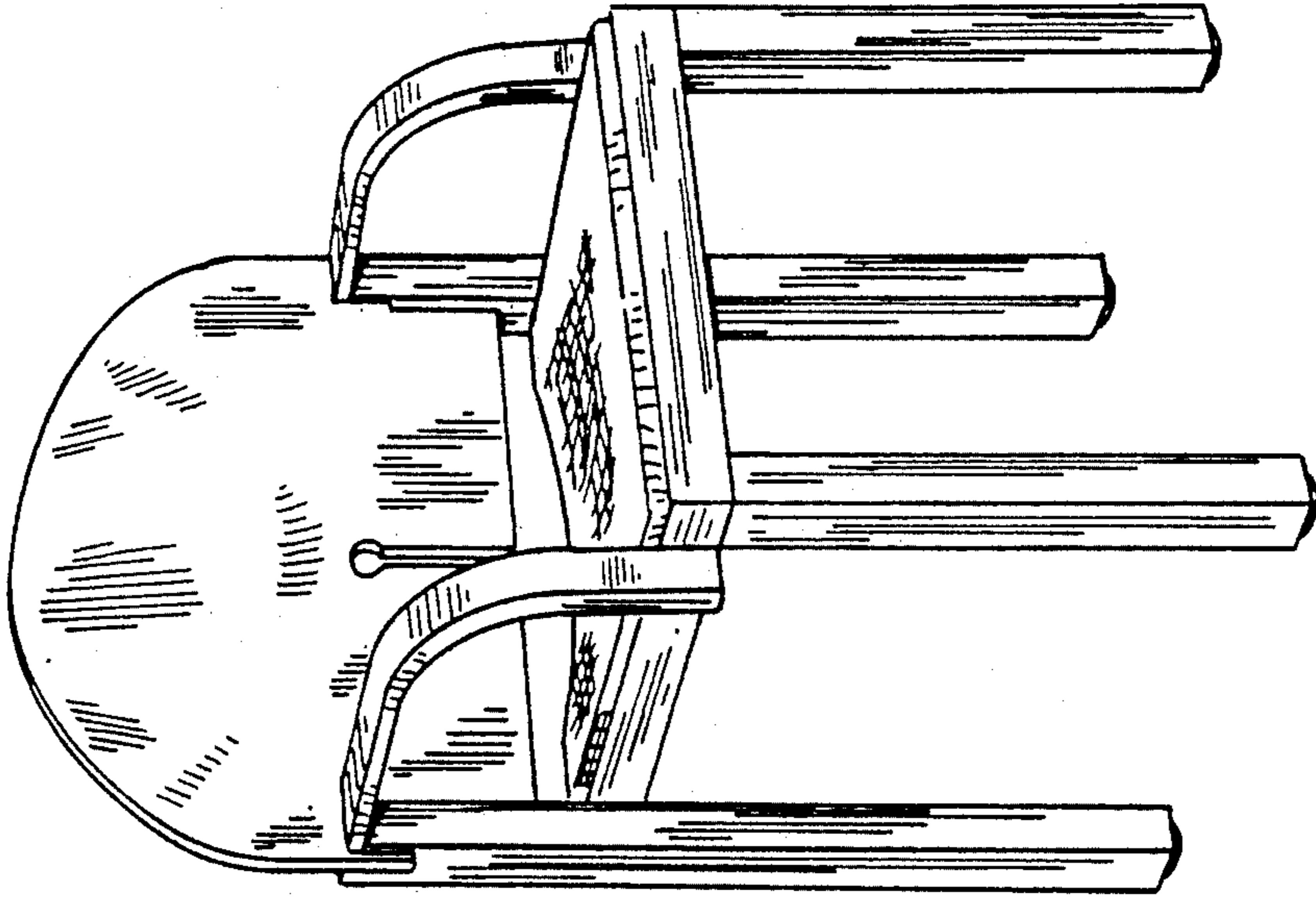


FIG. 8