

[54] ADJUSTABLE ICE CREAM CONE HOLDER

[76] Inventor: John E. Dodge, 8620 Smart St., Kansas City, Mo. 64125

[**] Term: 14 Years

[21] Appl. No.: 180,019

[22] Filed: Apr. 11, 1988

[52] U.S. Cl. D1/102; D1/118

[58] Field of Search D1/101, 102, 103, 106, D1/114, 116, 117, 118, 115, 104, 125, 120, 124, 129, 130, 195, 126; 426/512, 808, 499, 446, 439, 391, 565, 536, 552, 95, 101, 104, 134, 139, 143, 283, 137, 94

[56] References Cited

U.S. PATENT DOCUMENTS

- D. 92,261 5/1934 Leaf D1/118
- D. 113,736 3/1939 Franke D1/118
- 2,321,519 6/1943 Rubinoff 426/134 X

- 3,306,512 2/1967 Pagnini D1/102 X
- 4,226,355 10/1980 Helfrich, Jr. 426/95 X

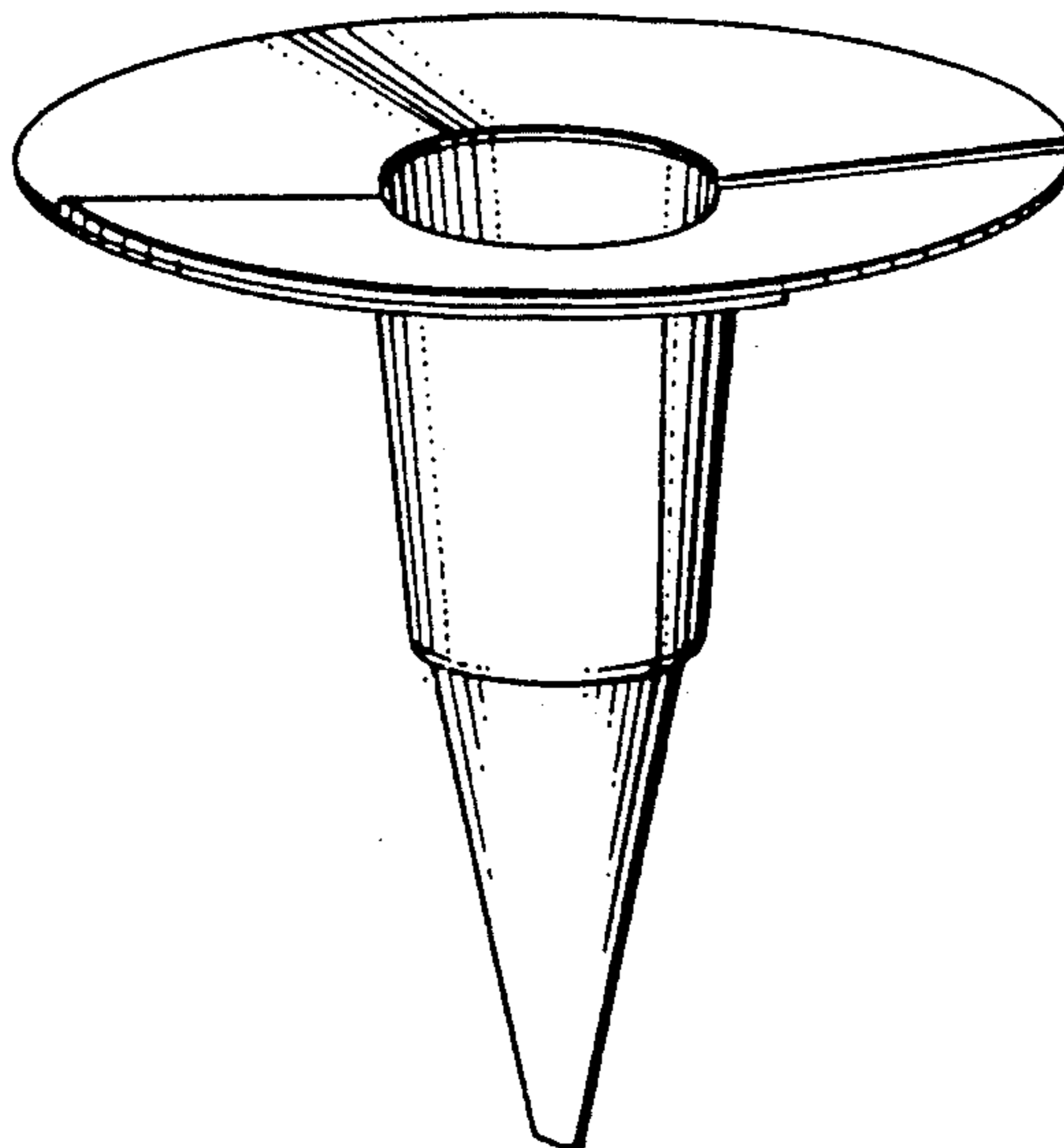
Primary Examiner—Wallace R. Burke
Assistant Examiner—Pamela J. Schmidt
Attorney, Agent, or Firm—Litman, McMahon & Brown

[57] CLAIM

The ornamental design for an adjustable ice cream cone holder, as shown and described.

DESCRIPTION

FIG. 1 is a perspective view of an adjustable ice cream cone holder showing my new design;
FIG. 2 is an enlarged side elevational view thereof, the undisclosed side being the same;
FIG. 3 is an enlarged front elevational view thereof, the undisclosed rear being the same with an ice cream cone shown in broken lines for illustrative purposes only and forming no part of the claimed design;
FIG. 4 is an enlarged top plan view thereof; and
FIG. 5 is an enlarged bottom plan view thereof.



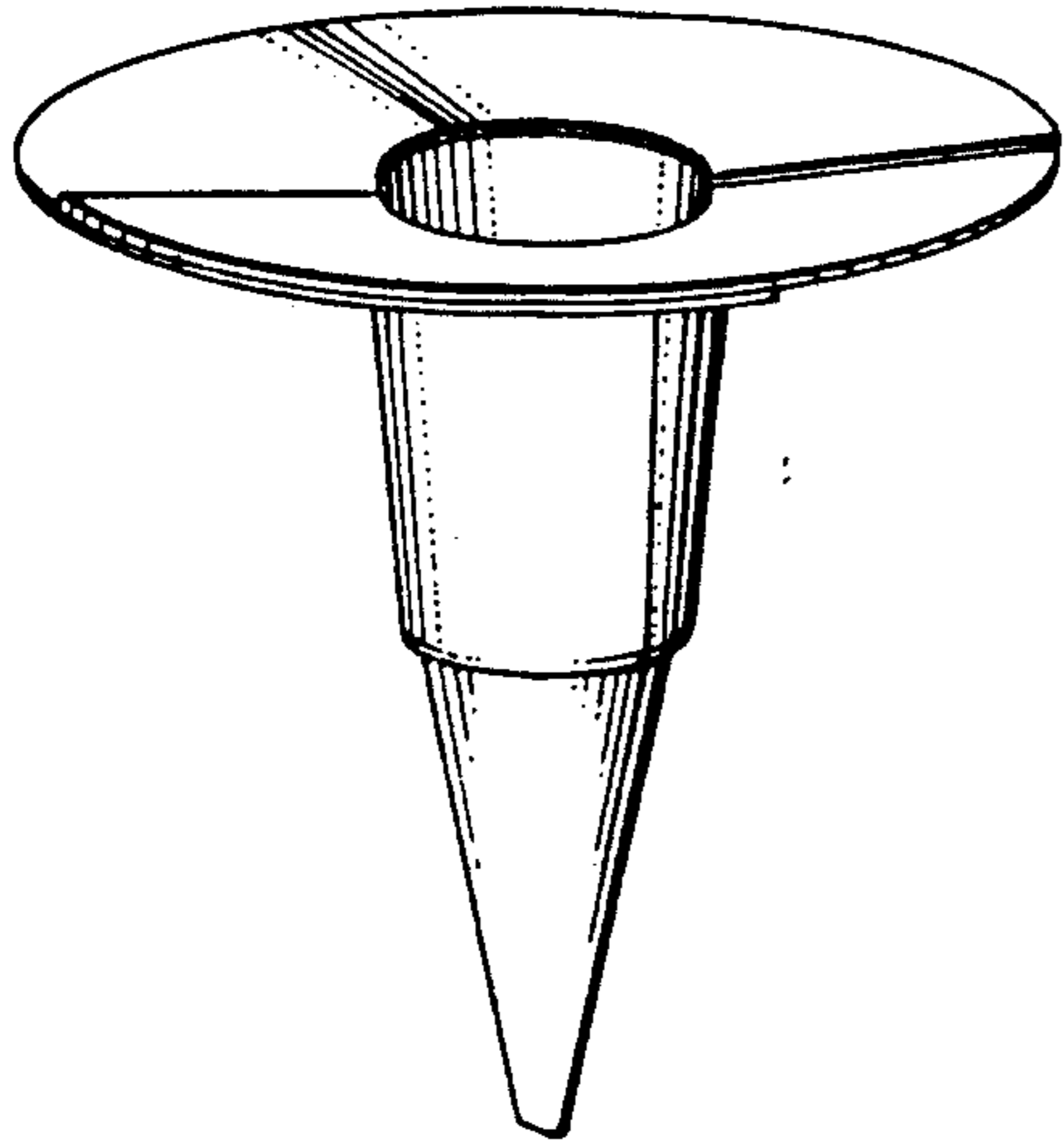


Fig. 1.

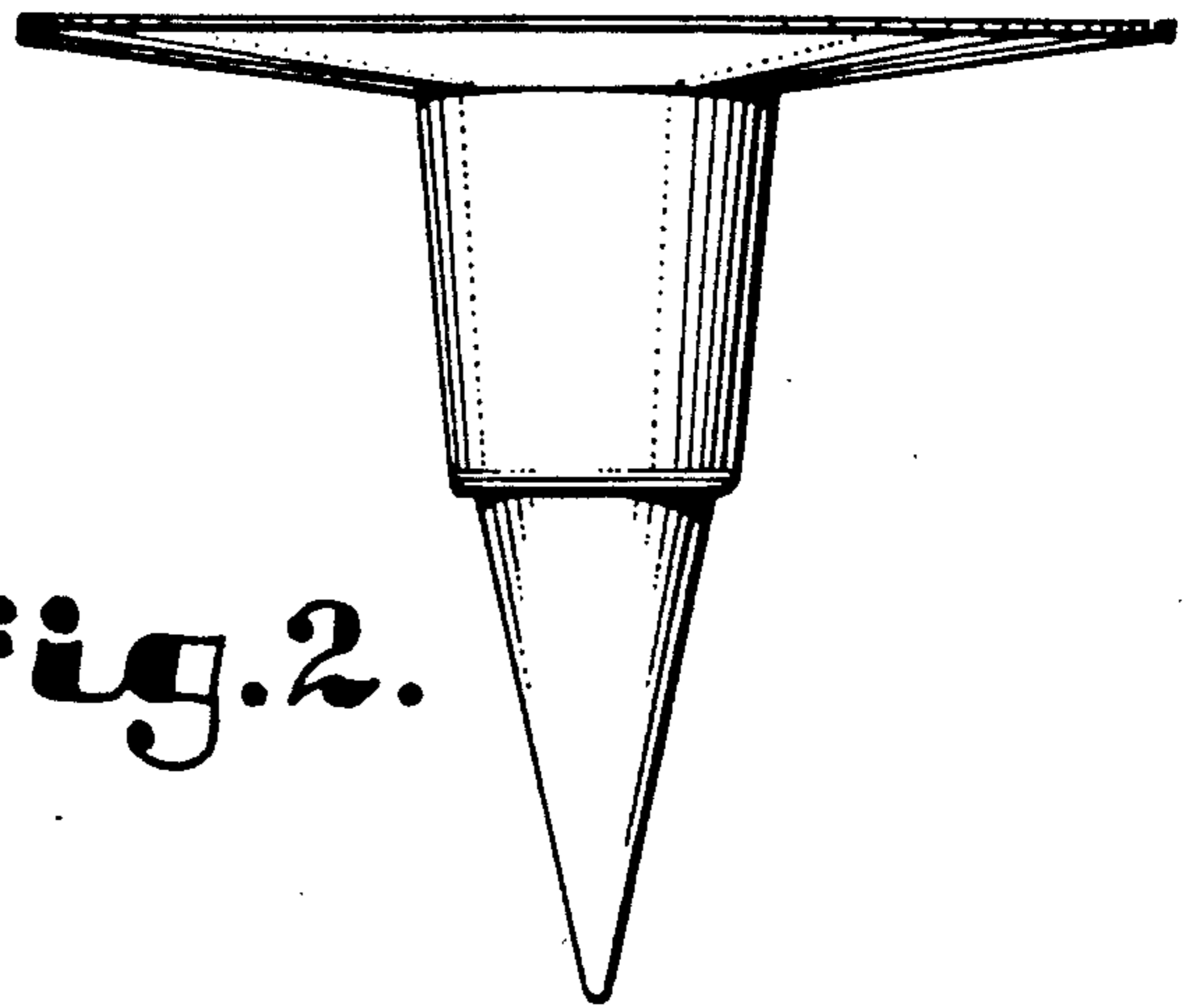


Fig. 2.

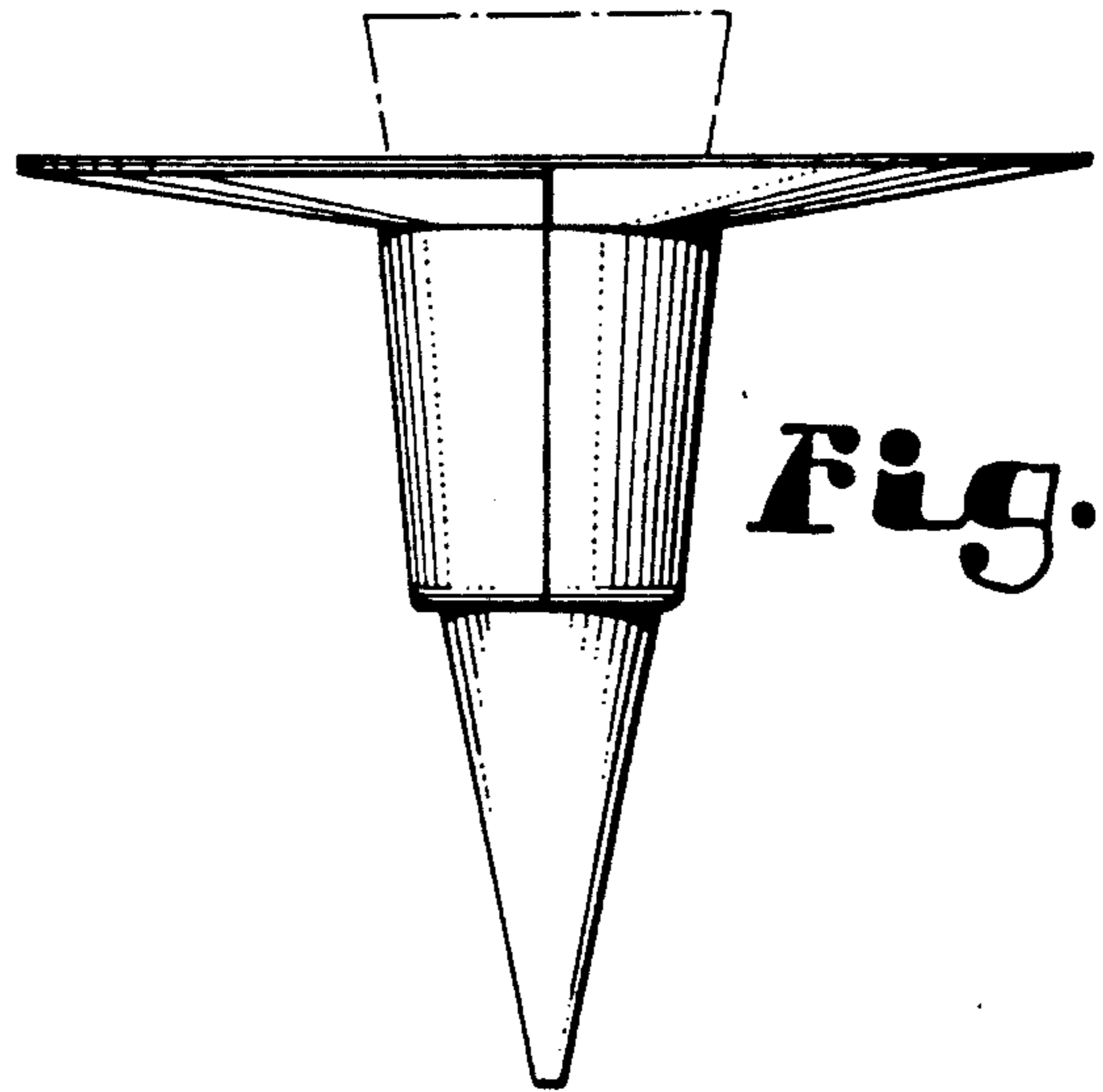


Fig. 3.

Fig. 4.

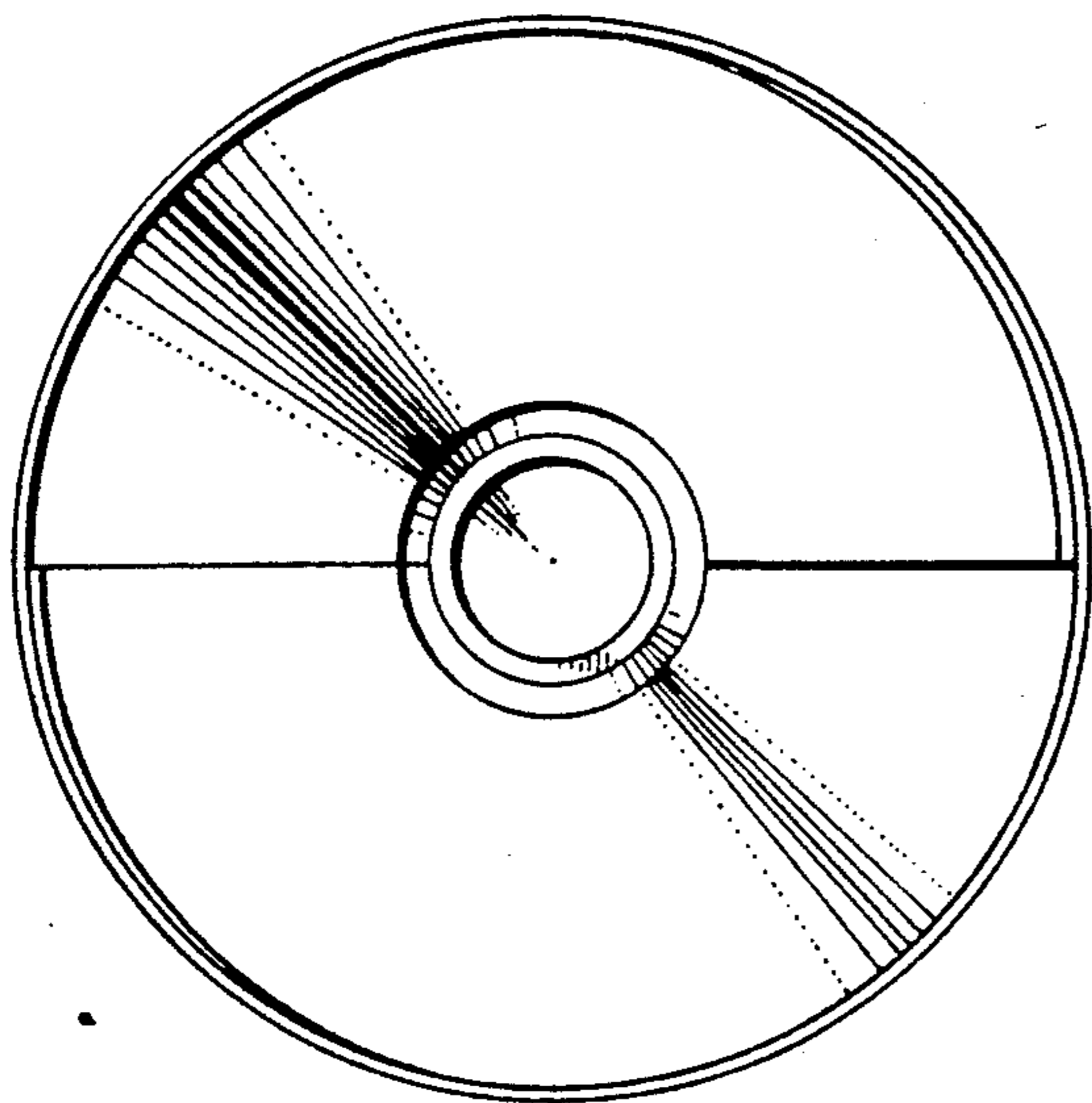


Fig. 5.

