

[54] STAND FOR A PERSONAL COMPUTER

[76] Inventor: Richard Leeds, 63 Hemlock Dr., Hempstead, N.Y. 11550

[\*\*] Term: 14 Years

[21] Appl. No.: 50,068

[22] Filed: May 15, 1987

[52] U.S. Cl. .... D34/21; D6/449; D6/462; D6/478

[58] Field of Search ..... D6/397, 436, 462, 465, D6/478, 479; D34/21

[56] References Cited

U.S. PATENT DOCUMENTS

D. 10,046	6/1877	Schuckers	.....	D6/479
D. 137,626	4/1944	Adams	.....	D34/21
D. 184,756	3/1959	Molitor	.....	D34/21
D. 202,531	10/1965	Smith	.....	D6/465
D. 210,133	2/1968	Miller	.....	D6/436 X

D. 290,020 5/1987 McCoy ..... D6/462 X

OTHER PUBLICATIONS

Global computer supplies, Cat.-64S, 10/1986, rear cover.

Primary Examiner—Bruce W. Dunkins

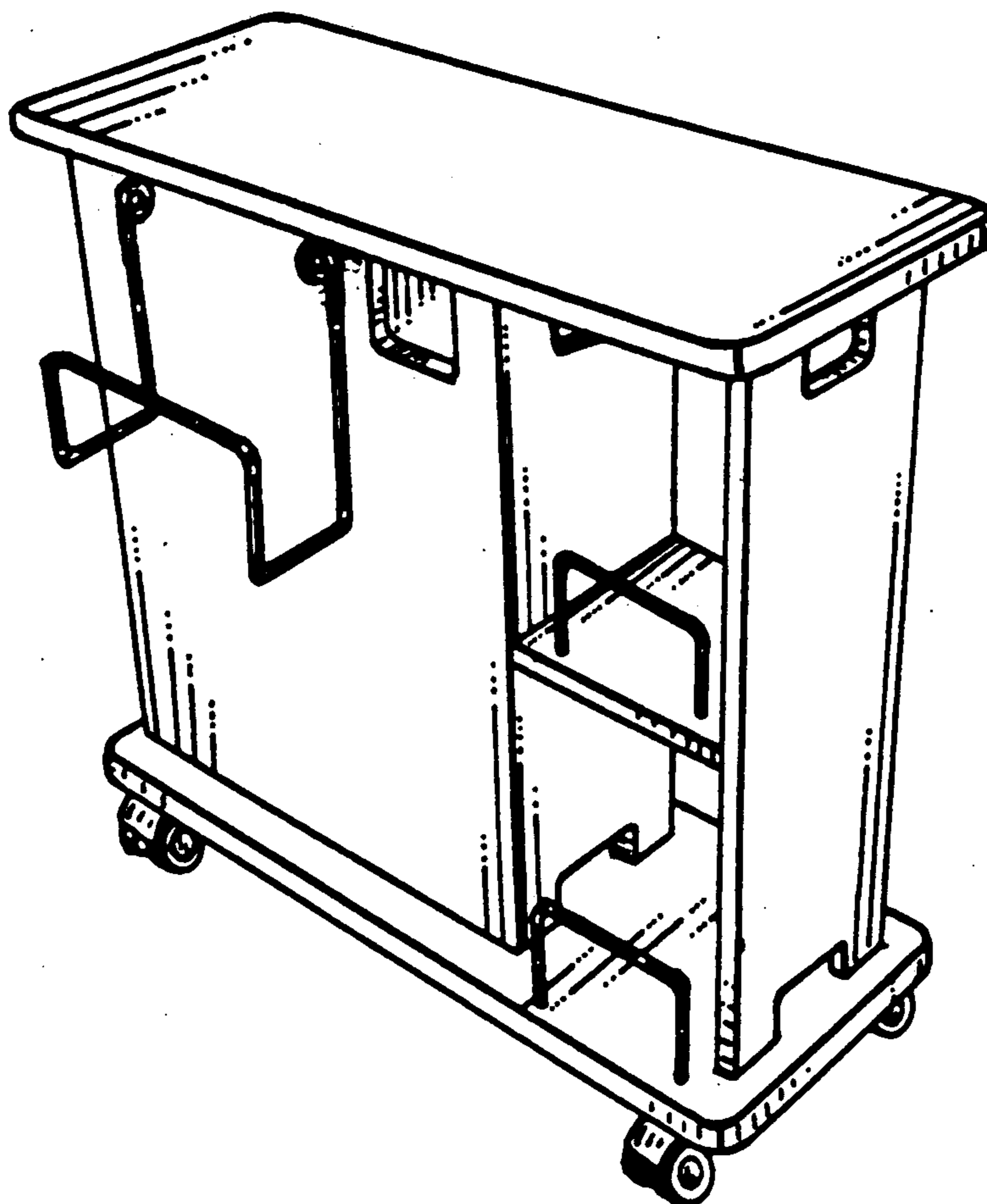
Assistant Examiner—Jeffrey Asch

[57] CLAIM

The ornamental design for a stand for a personal computer, as shown and described.

DESCRIPTION

FIG. 1 is a perspective view of a stand for a personal computer showing my new design; FIG. 2 is a rear elevational view thereof; FIG. 3 is a left side elevational view thereof; FIG. 4 is a front elevational view thereof; FIG. 5 is a right side elevational view thereof; FIG. 6 is a bottom plan view thereof; and FIG. 7 is a top plan view thereof.



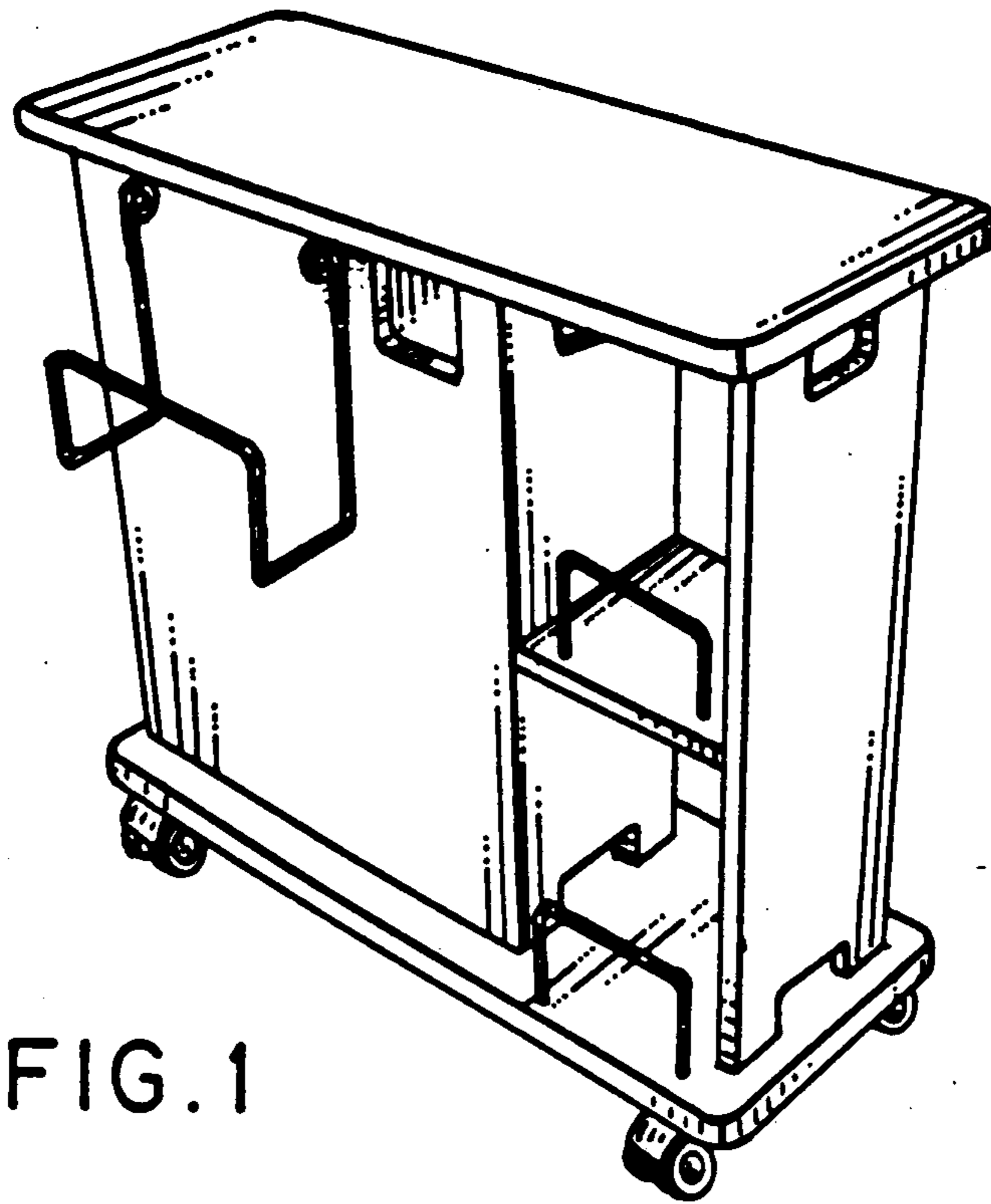


FIG. 1

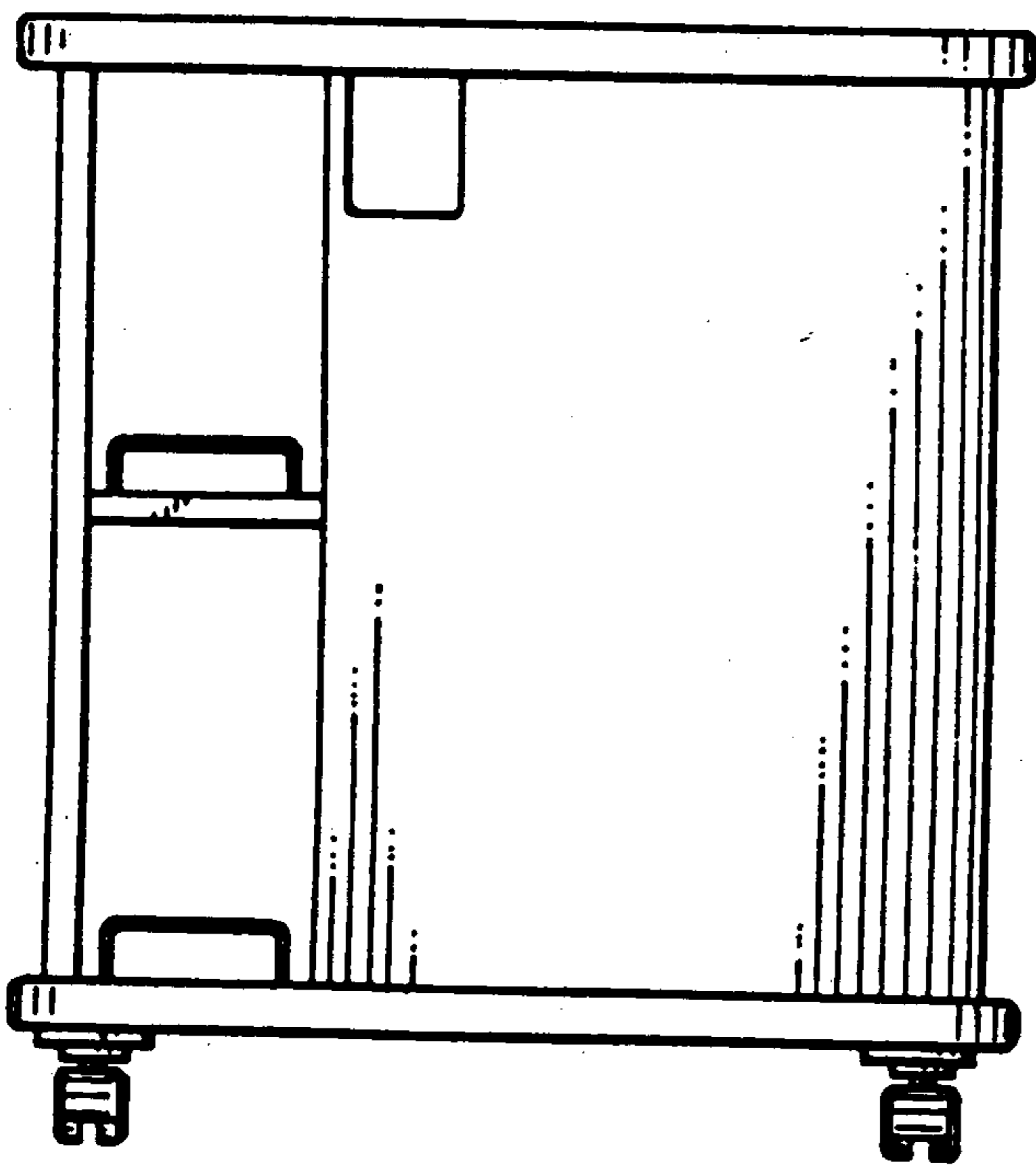


FIG. 2

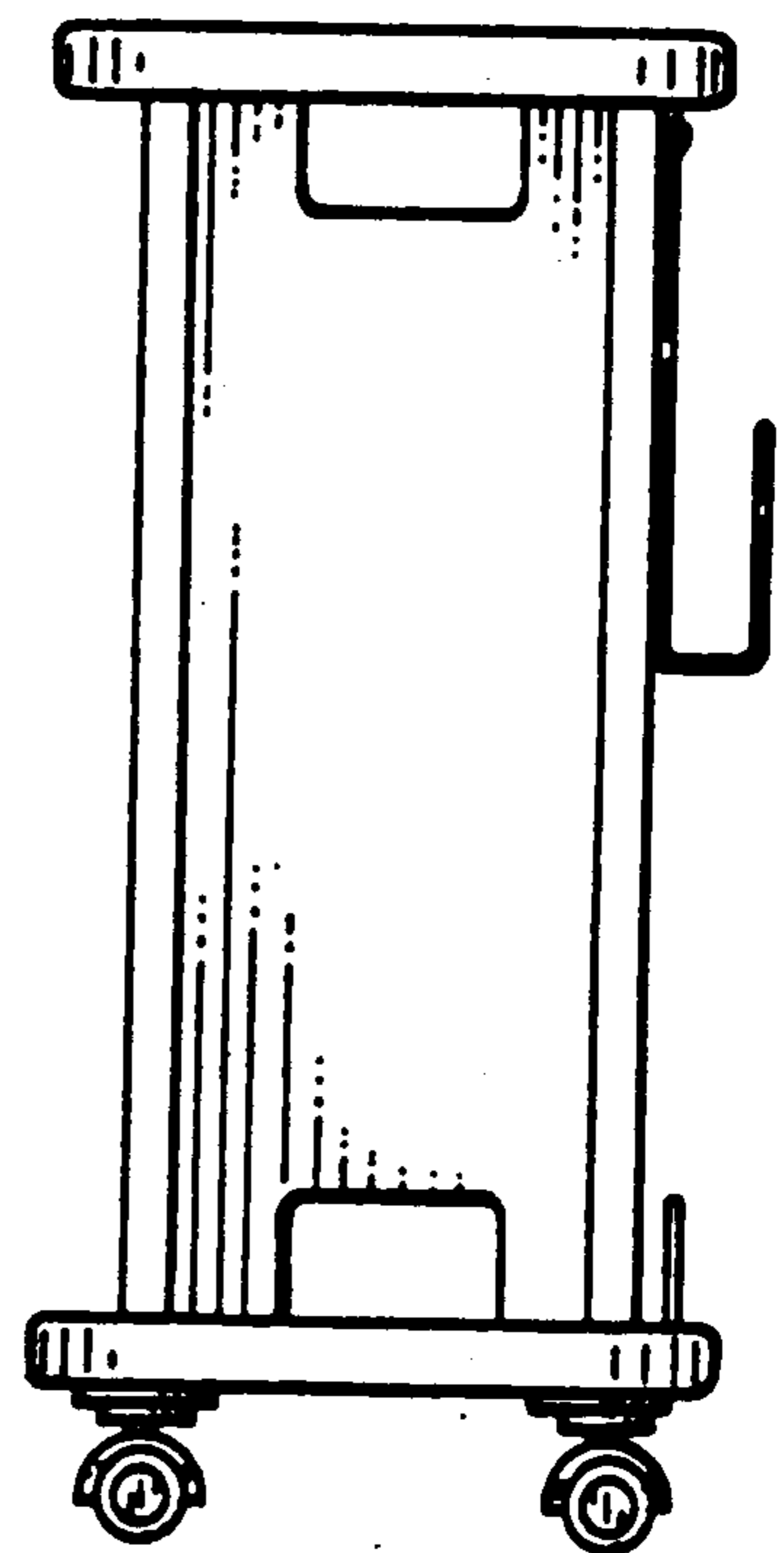


FIG. 3

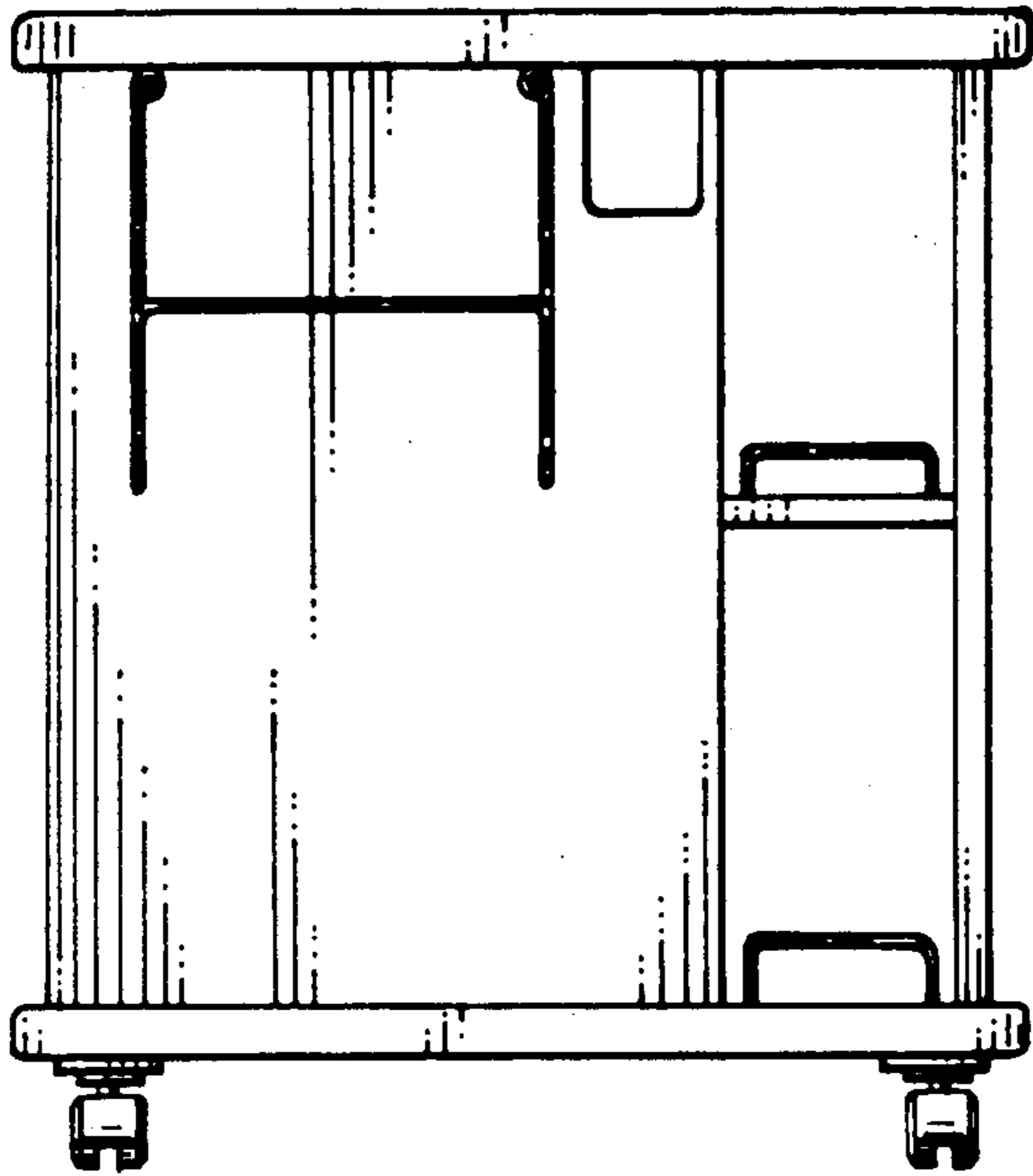


FIG. 4

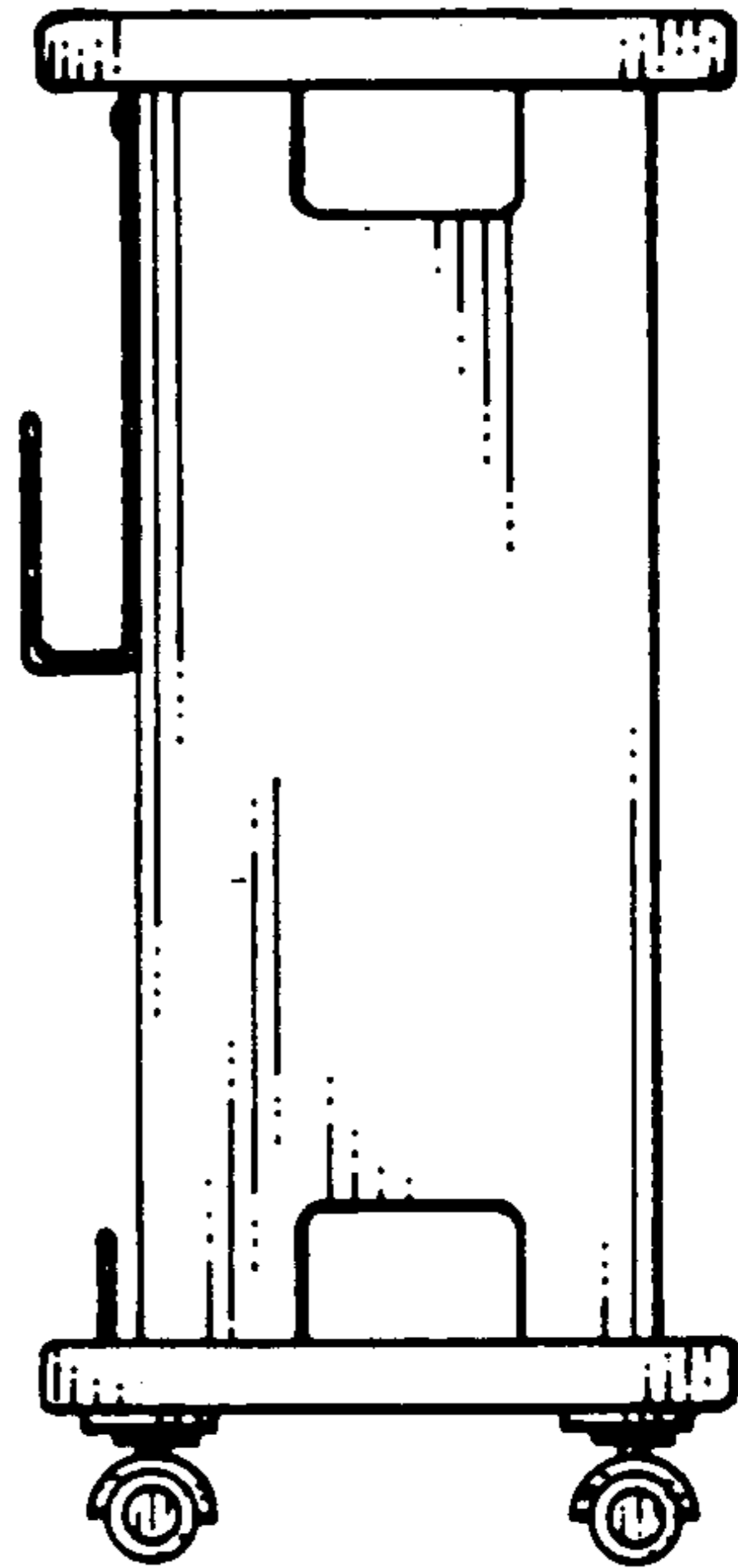


FIG. 5

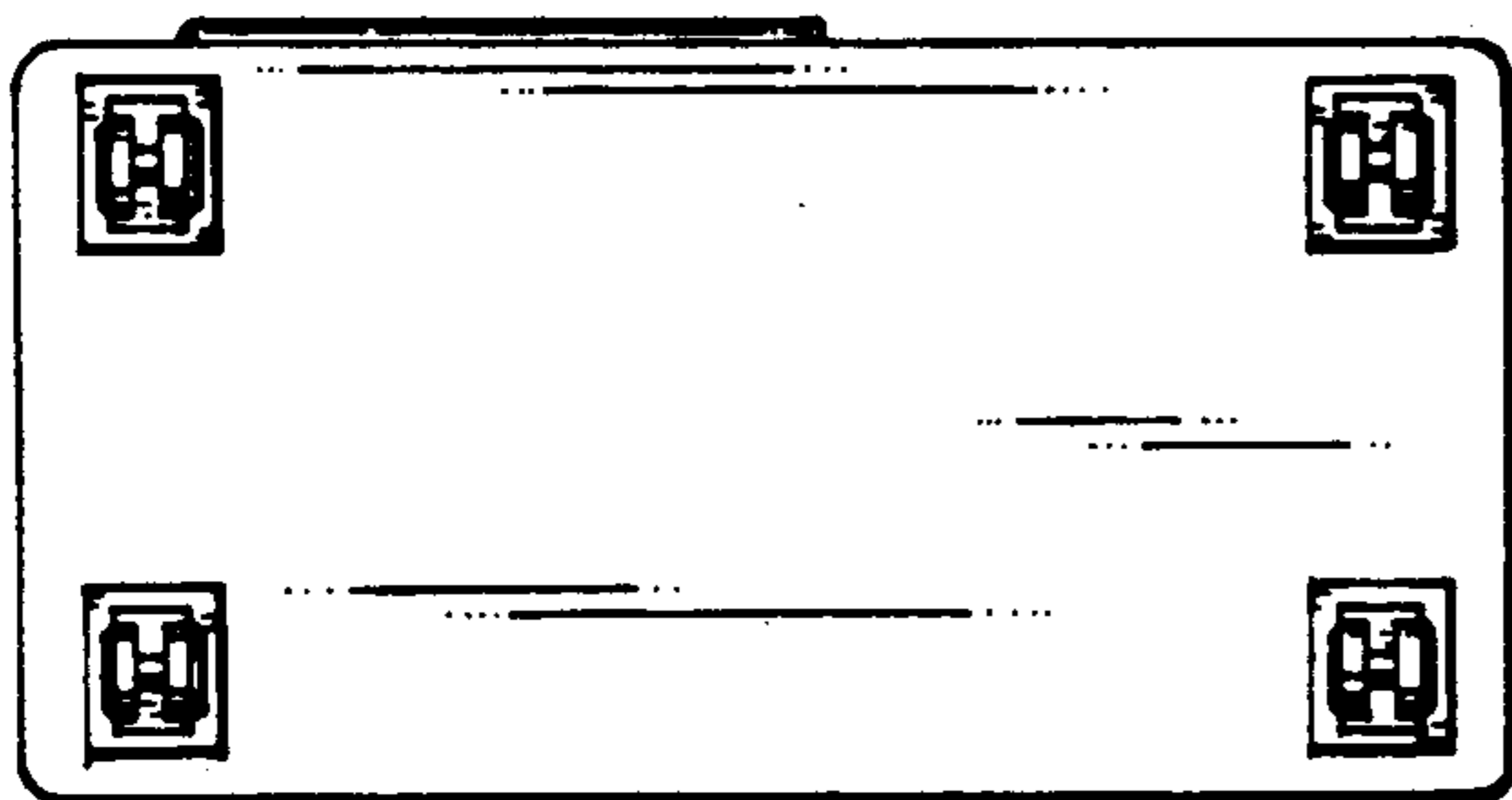


FIG. 6

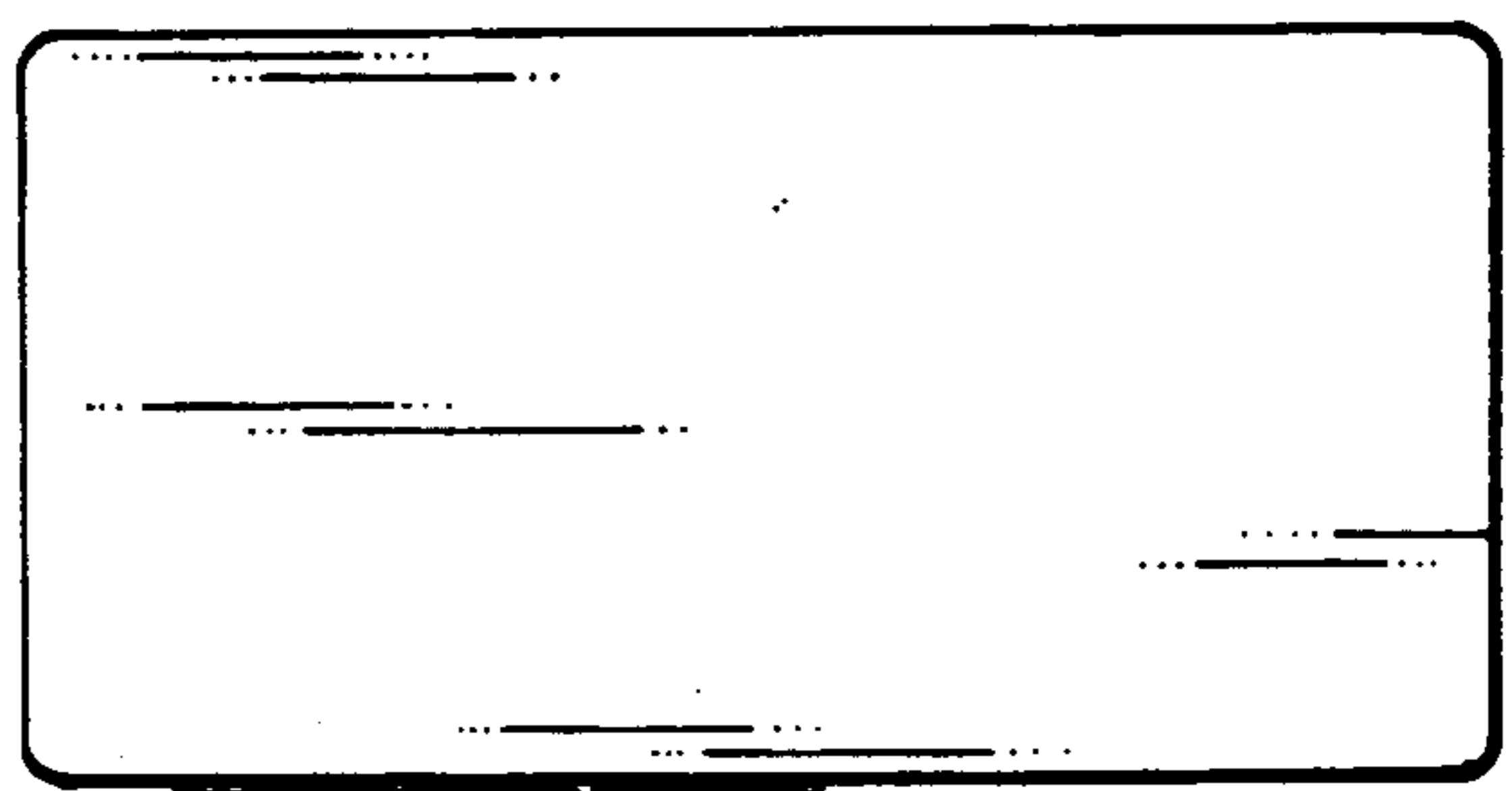


FIG. 7