

[54] WINDOW SCREENED ANIMAL ENCLOSURE OR SIMILAR ARTICLE

[76] Inventor: John Cutrone, 17-17 3rd Ave. North #9, Lake Worth, Fla. 33460

[**] Term: 14 Years

[21] Appl. No.: 242,078

[22] Filed: Sep. 9, 1988

[52] U.S. Cl. D30/109; 119/19

[58] Field of Search D25/57, 4, 56, 16, 7, D25/22; D29/12; D21/253, 114; D22/199; D30/108, 109, 112, 114, 117-120, 161; 135/87, 102, 106, 117, 118, 901; 43/114, 134, 1, 2; 119/1, 15-17, 19; 52/64; 446/476, 478

[56] References Cited

U.S. PATENT DOCUMENTS

D. 227,088	6/1973	Francis	D25/52
D. 268,996	5/1983	Elleby, Jr. et al.	D25/52
D. 272,569	2/1984	Argentine et al.	D30/161
D. 298,870	12/1988	Heisler	D30/109
300,249	6/1884	Gregory	119/17
2,121,658	6/1938	Gehret	119/17
2,249,295	3/1940	Lawless	119/19
2,914,075	11/1959	Wells et al.	135/101
3,156,213	11/1964	Patten	D30/109
3,428,026	2/1969	Sohmers et al.	119/17
4,021,975	5/1977	Calkins	52/64
4,224,899	9/1980	Cruchelow et al.	119/19
4,291,645	9/1981	Cruchelow et al.	119/19
4,347,807	9/1982	Reich	119/19
4,372,251	2/1983	Keith	119/16
4,391,223	7/1953	Holland et al.	119/19
4,445,459	5/1984	Julie	119/1
4,552,093	11/1985	Puckett	119/17
4,763,607	8/1988	Tominaga	119/17
4,917,047	4/1990	Wazeter, III	119/17

OTHER PUBLICATIONS

The Pet Catalog; p. 25; Puppy Playpen #F.

Primary Examiner—James R. Largen
Assistant Examiner—Cathy Anne MacCormac
Attorney, Agent, or Firm—Terry M. Gernstein

[57] CLAIM

The ornamental design for a window screened animal enclosure or similar article, as shown and described.

DESCRIPTION

FIG. 1 is a front perspective view of a window screened animal enclosure or similar article showing my new design;

FIG. 2 is a rear elevational view thereof;

FIG. 3 is a right side elevational view thereof, the left side being a mirror image of the right side shown;

FIG. 4 is a front perspective view of a second embodiment of FIG. 1;

FIG. 5 is a rear elevational view of FIG. 4;

FIG. 6 is a right side elevational view of FIG. 4, the left side being a mirror image of the right side shown;

FIG. 7 is a front perspective view of a third embodiment of FIG. 1;

FIG. 8 is a rear elevational view of FIG. 7;

FIG. 9 is a right side elevational view of FIG. 7, the left side being a mirror image of the right side shown;

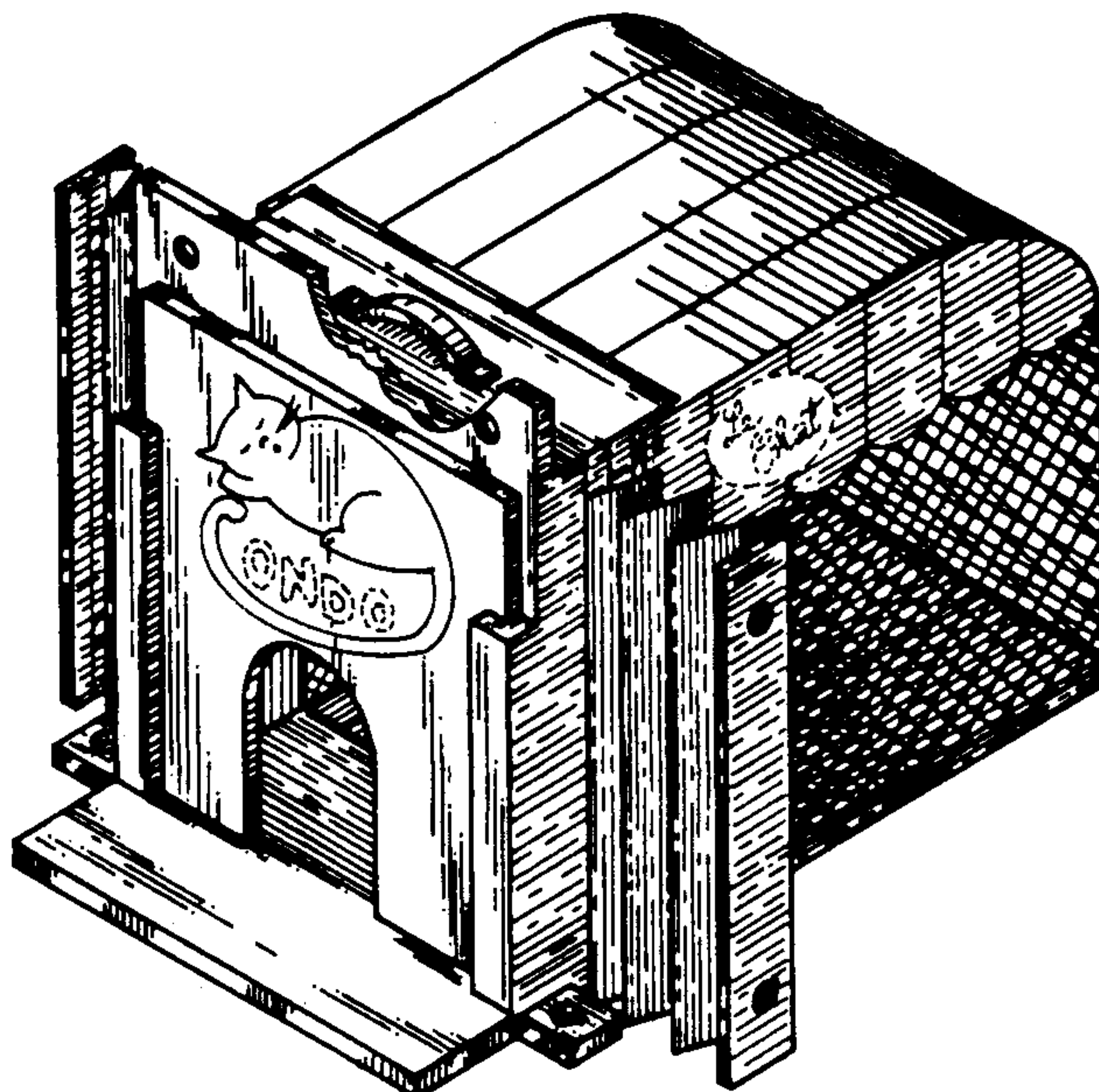
FIG. 10 is a front perspective view of a fourth embodiment of FIG. 1;

FIG. 11 is a top plan view of FIG. 10; and

FIG. 12 is a right side elevational view of FIG. 10, the left side being a mirror image of the right side shown; The bottom is plain and unadorned.

The broken away portion of FIGS. 1, 4, 7 and 10 is for purposes of showing the handle.

The broken line representation of indicia in FIGS. 1, 2, 3, 4, 5, 7, 8, 10, and 11 is for purposes of illustration only and forms no part of the claimed design.



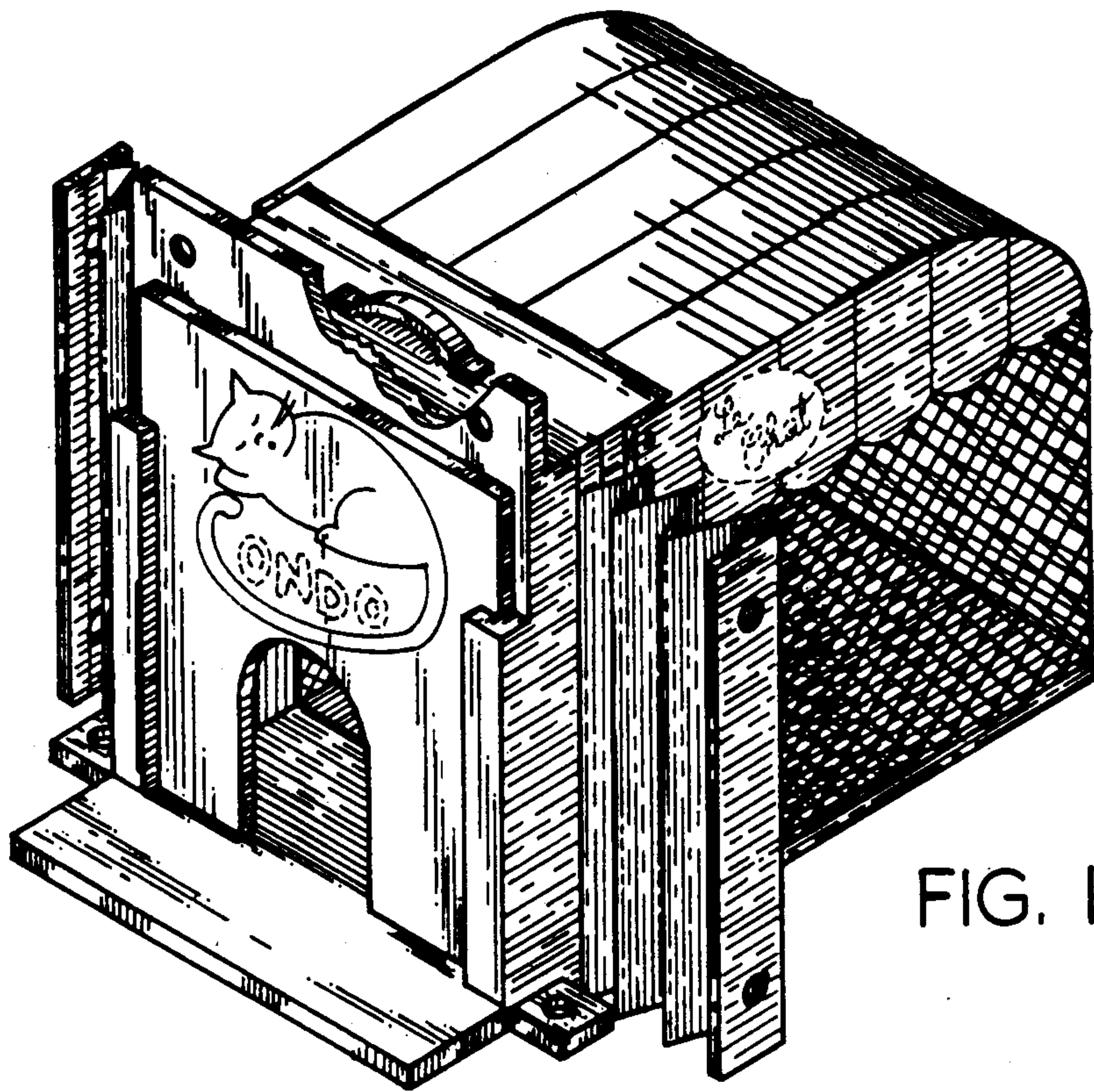


FIG. 1

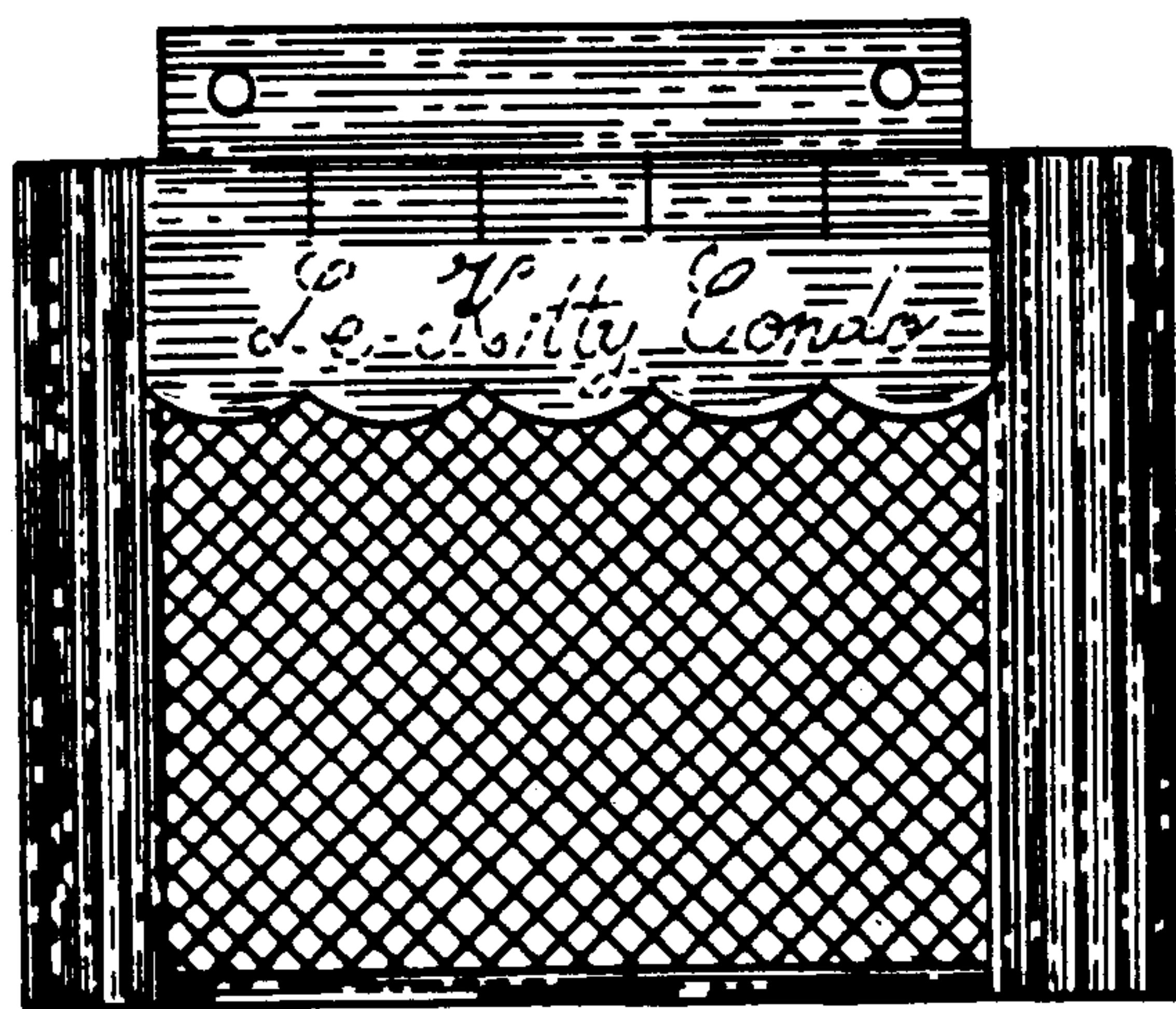


FIG. 2

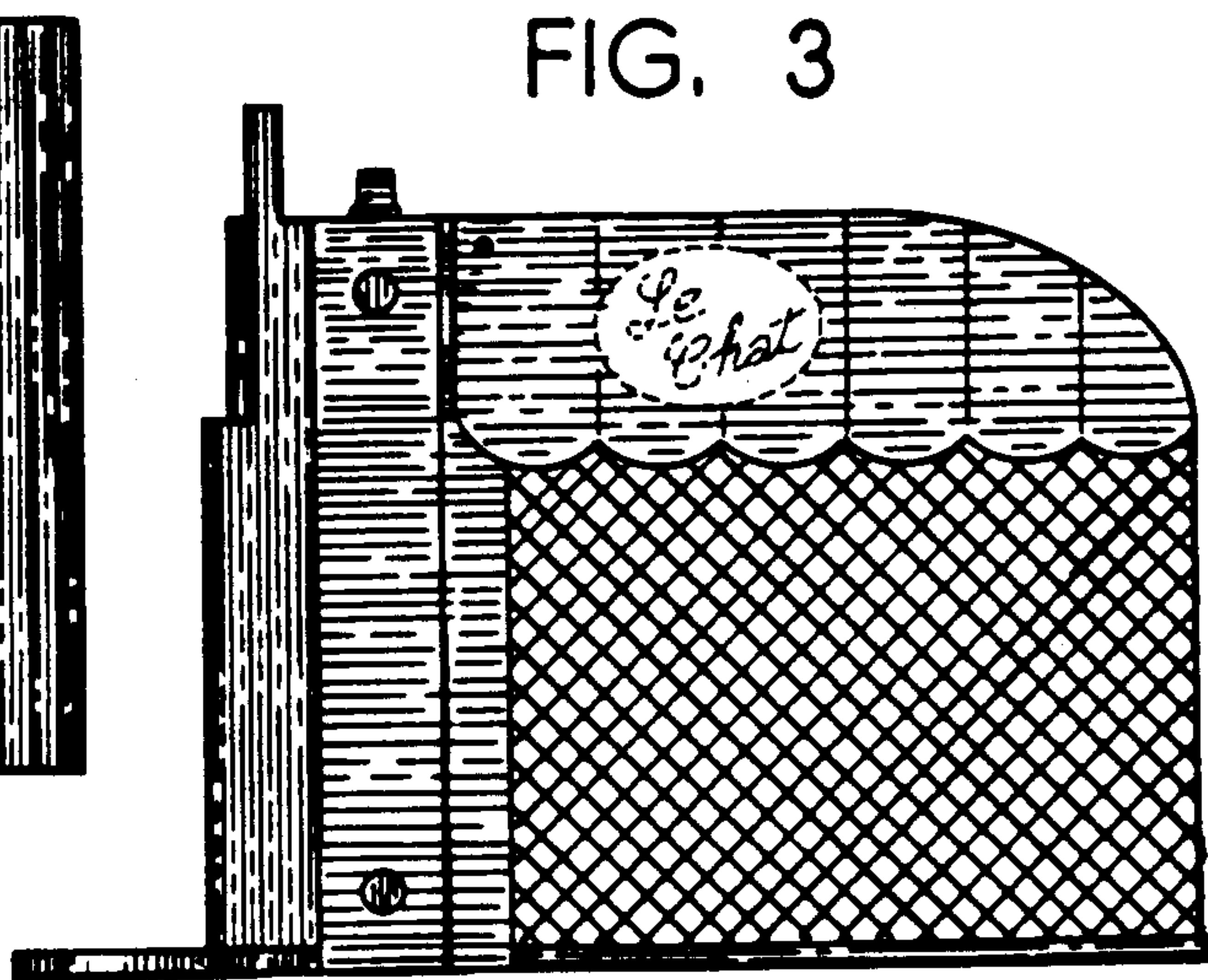


FIG. 3

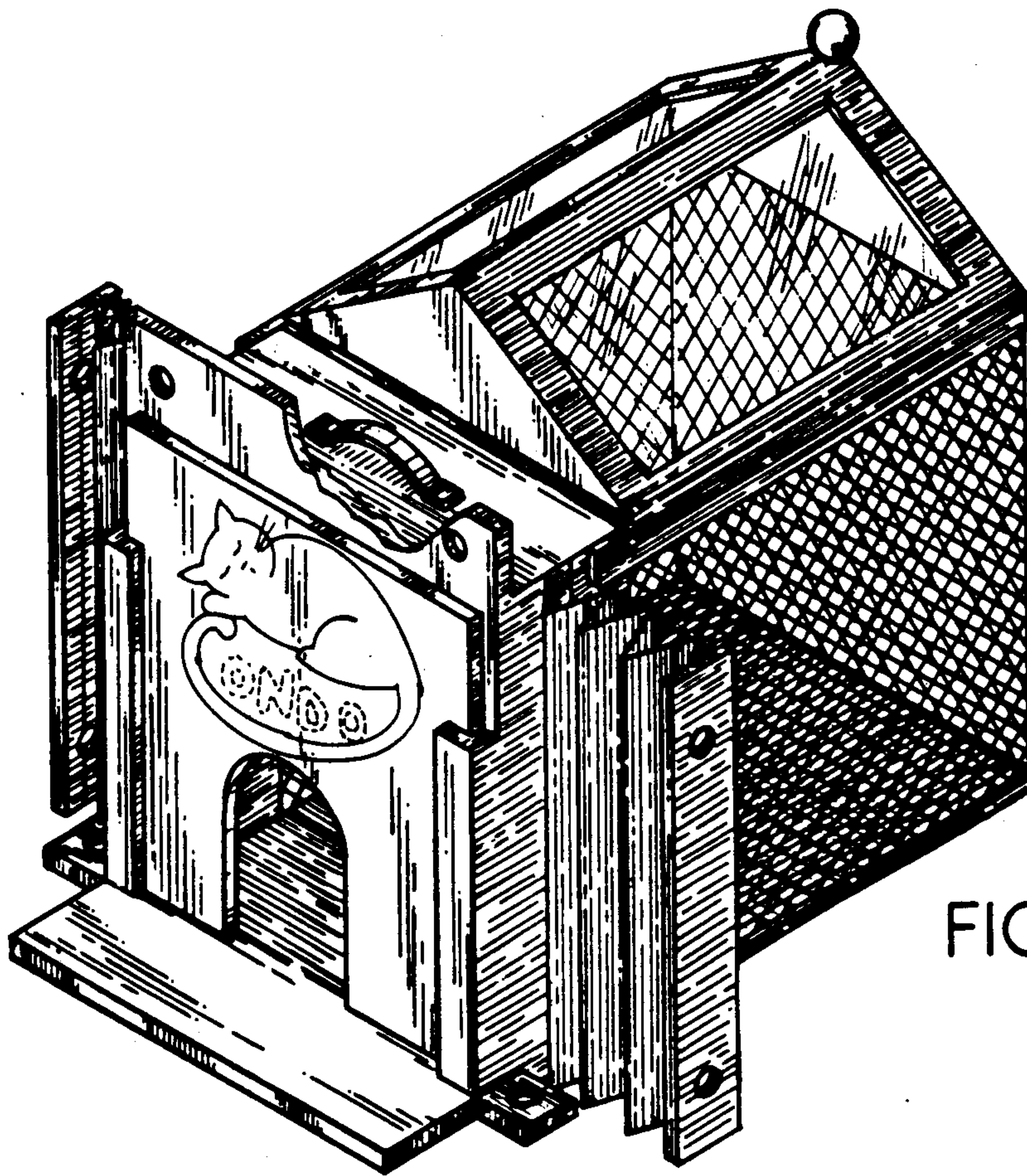


FIG. 4

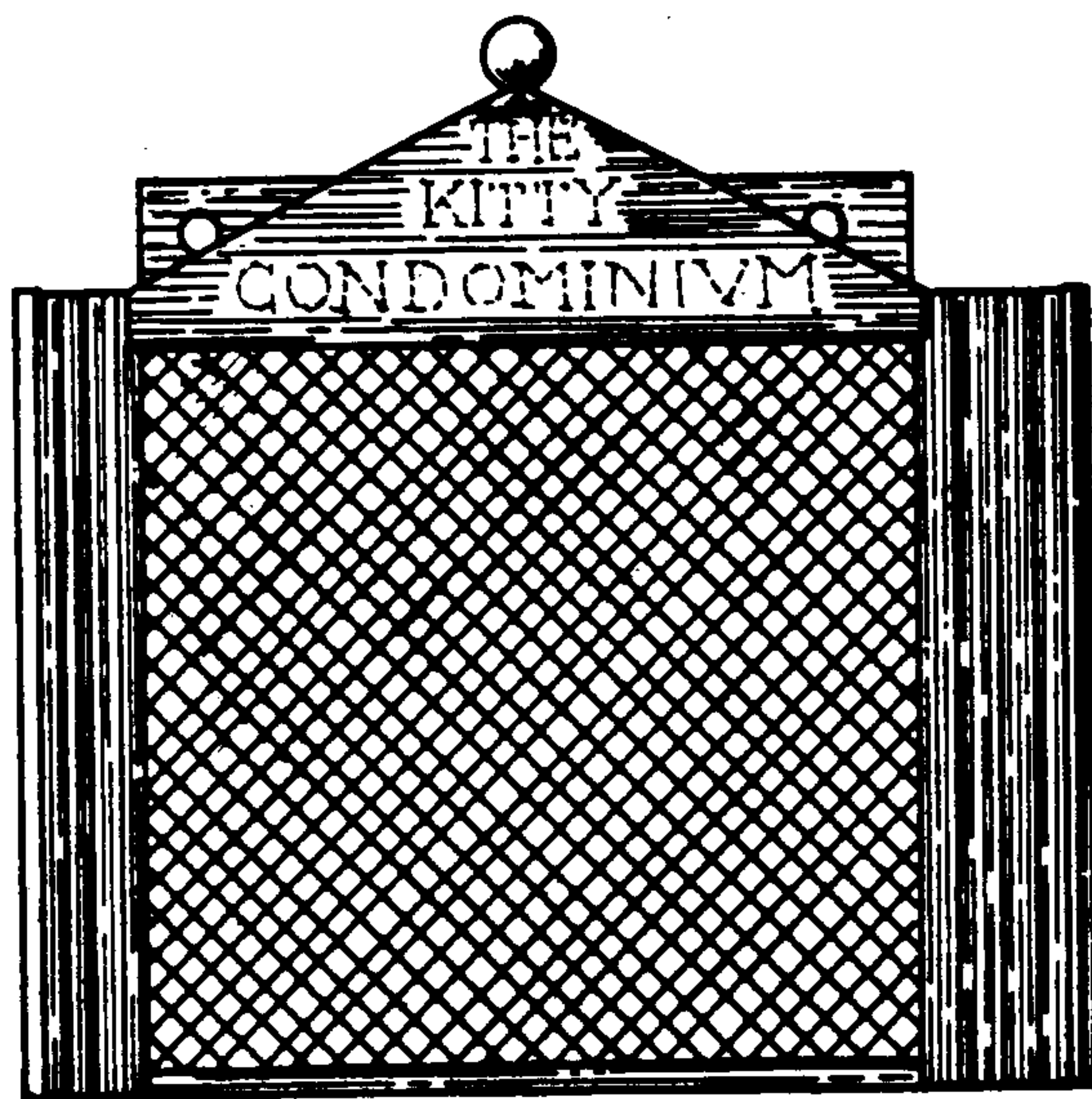


FIG. 5

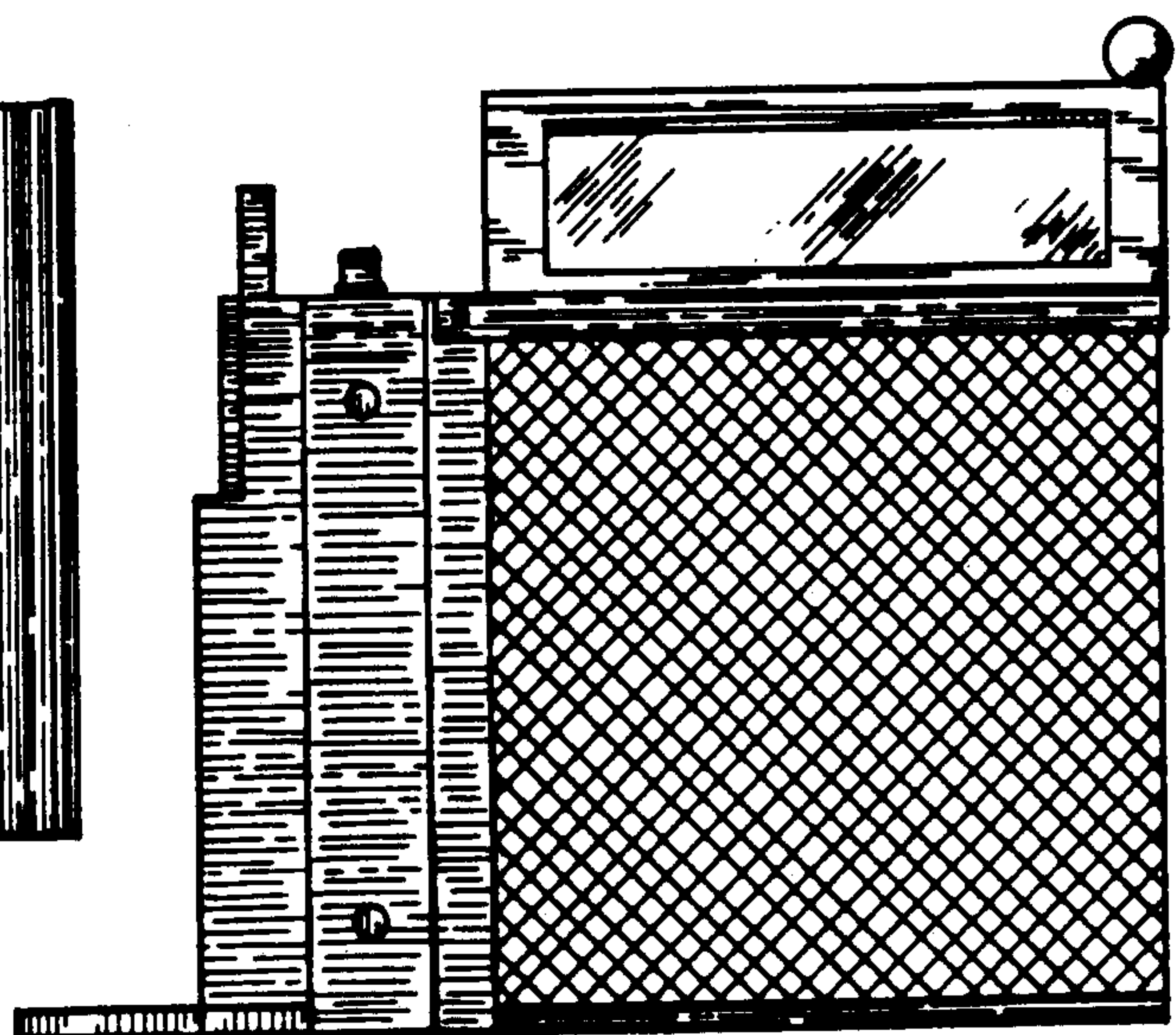


FIG. 6

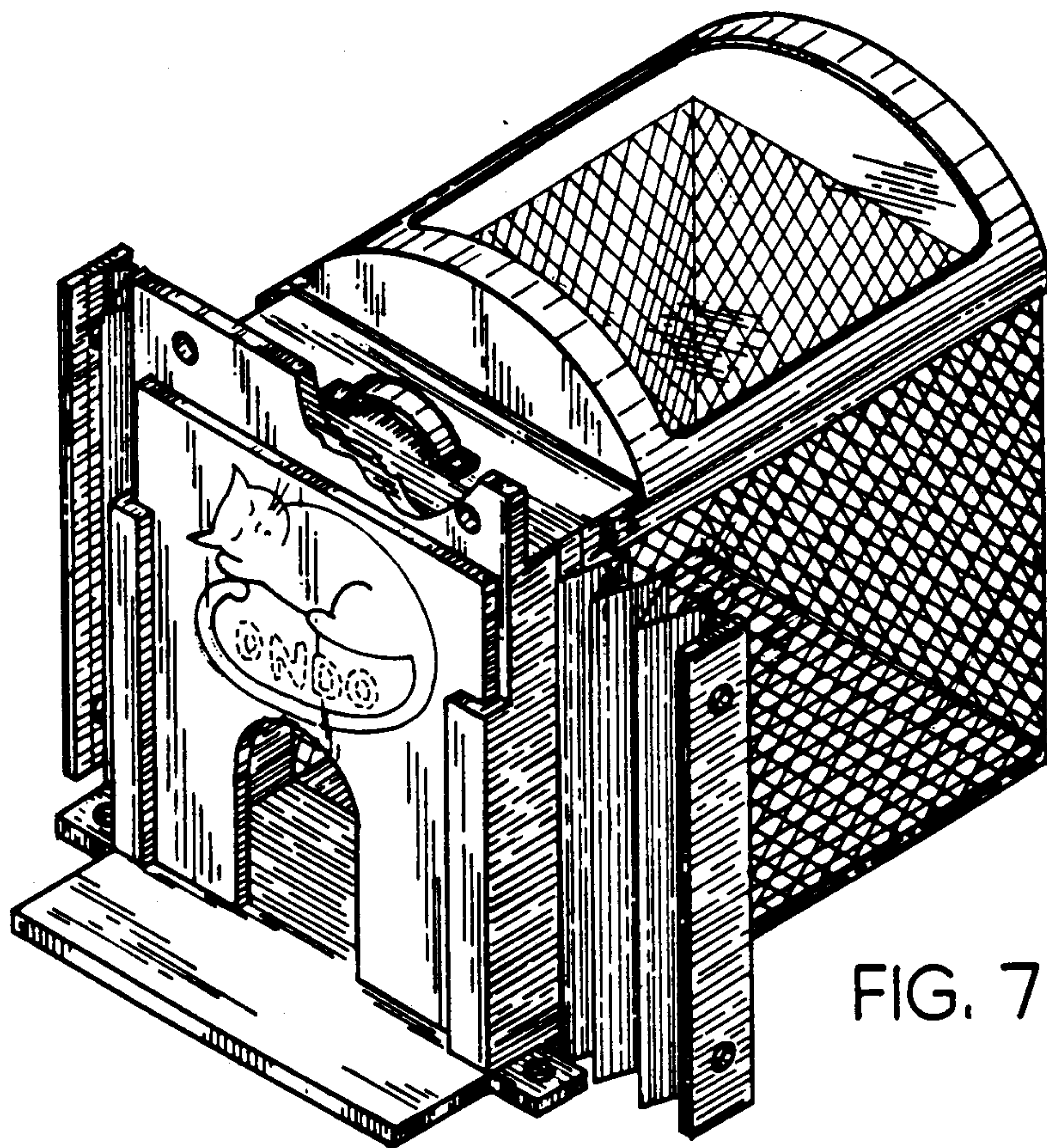


FIG. 7

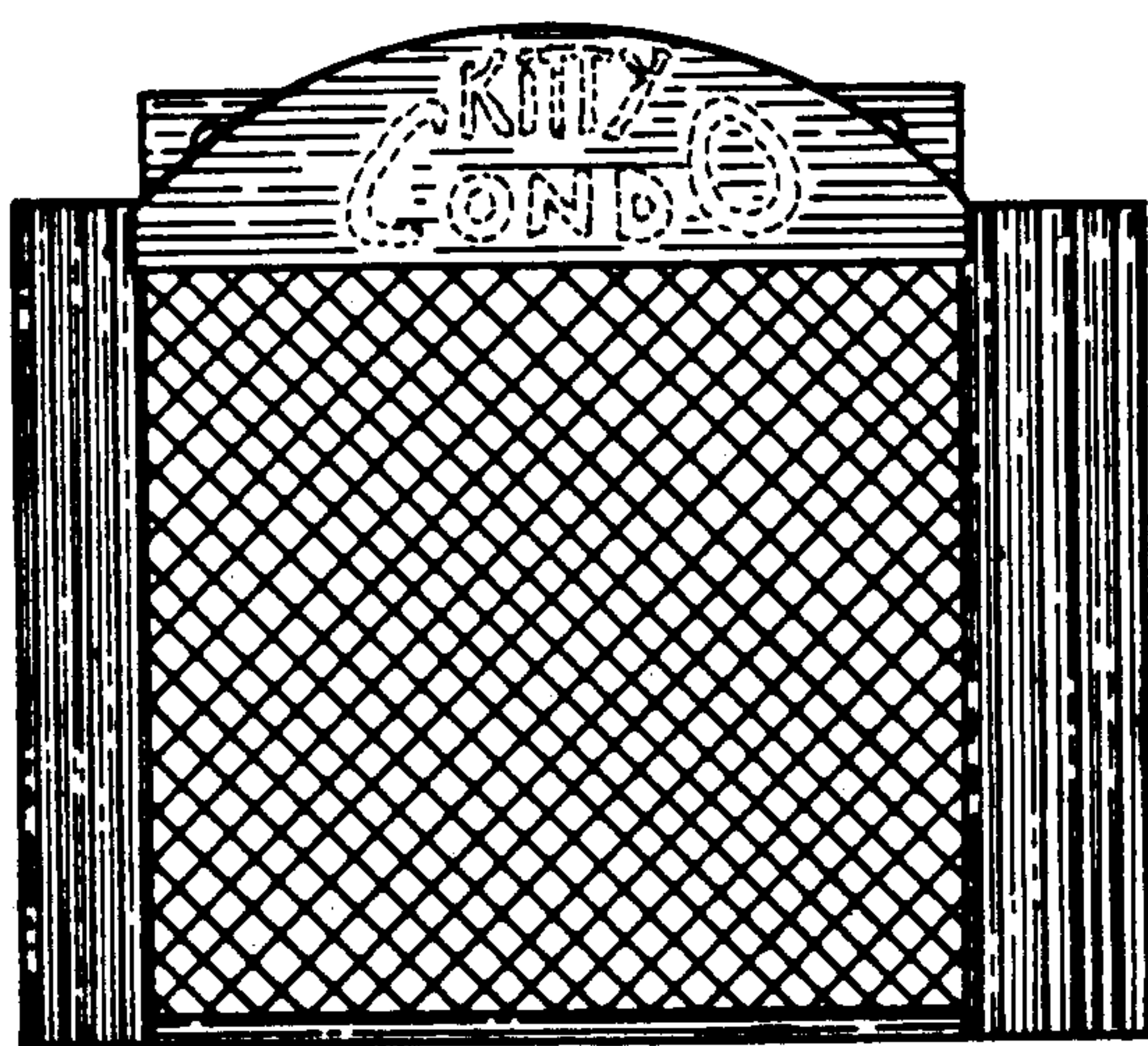


FIG. 8

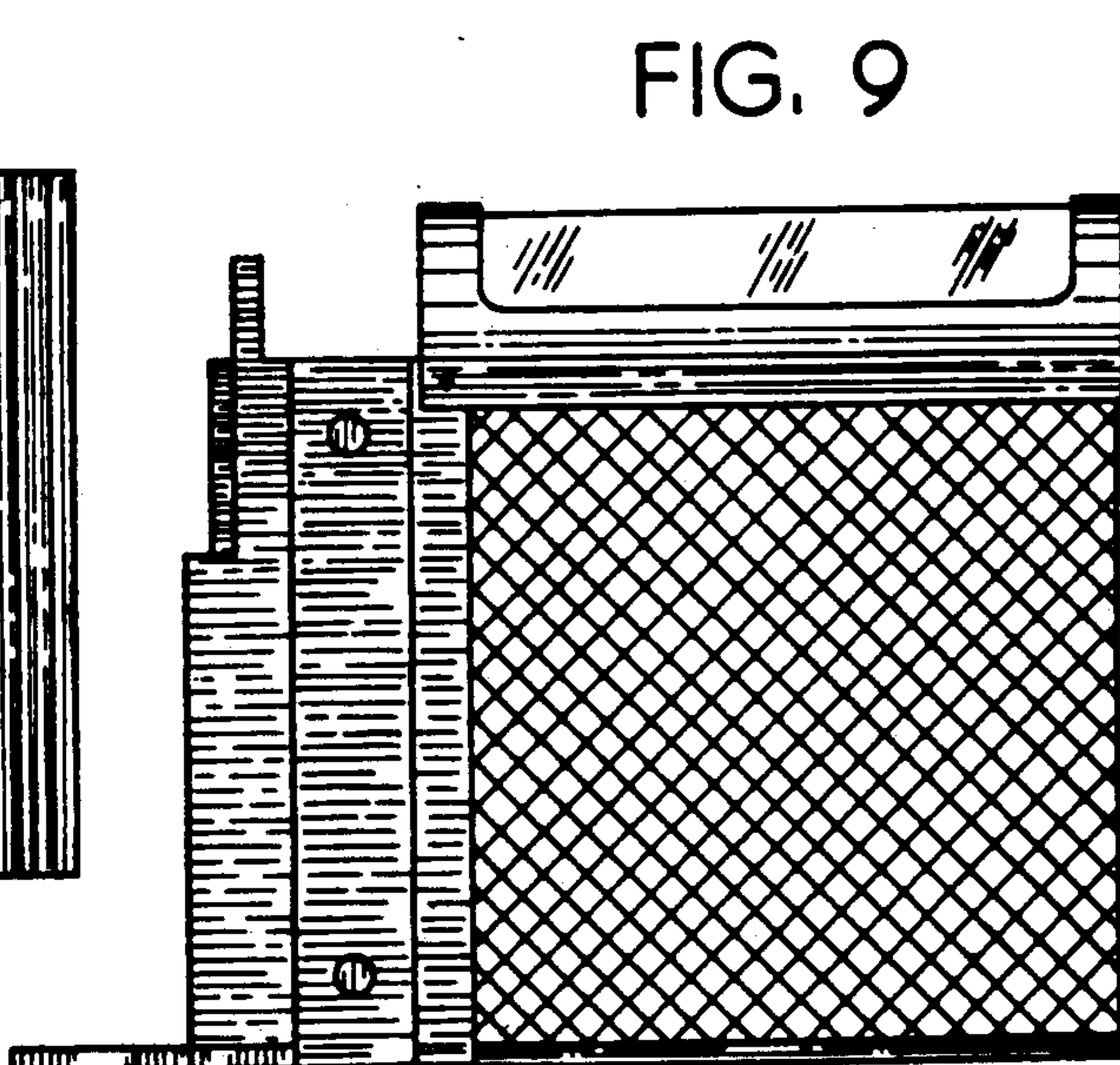


FIG. 9

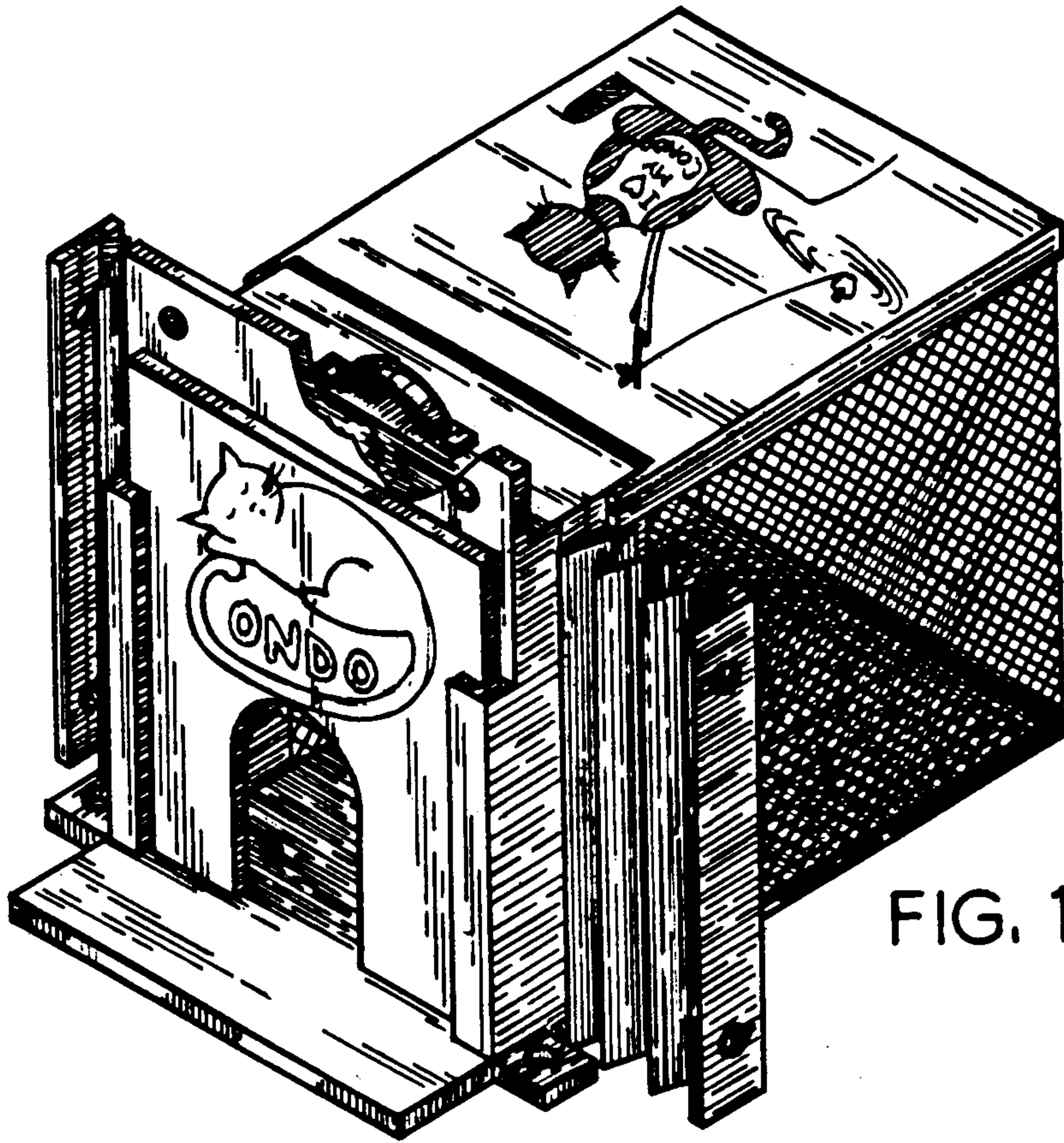


FIG. 10

FIG. 11

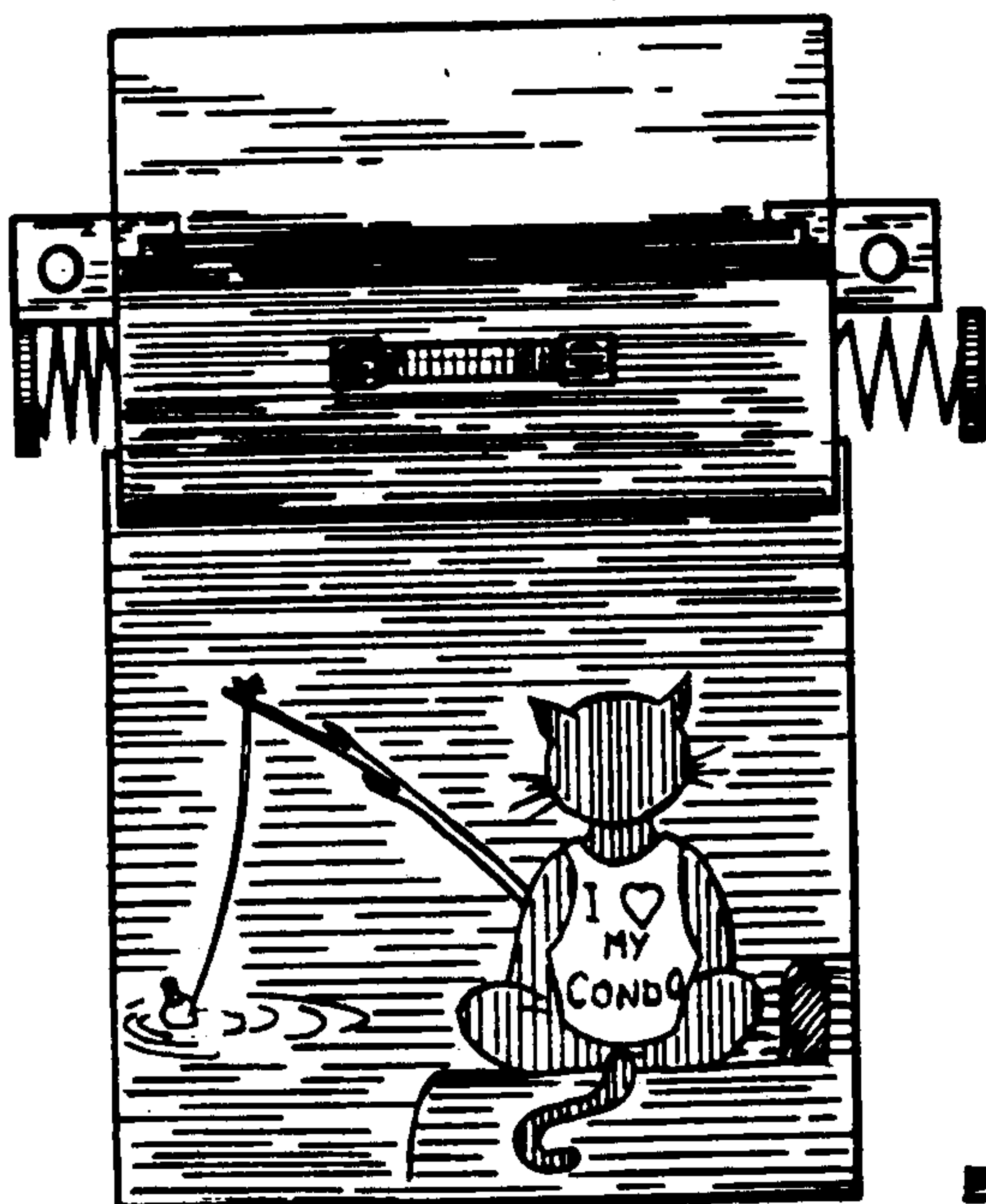


FIG. 12

