

[54] **SPOTLIGHT HOUSING**

4,727,460 2/1988 Payne 362/269

- [75] Inventor: **Bruno Gecchelin, Milan, Italy**
- [73] Assignee: **I Guzzini Illuminazione S.p.A., Recanati, Italy**
- [**] Term: **14 Years**
- [21] Appl. No.: **164,630**
- [22] Filed: **Mar. 7, 1988**

OTHER PUBLICATIONS

Home Lighting & Accessories, 1-1986, p. 29, Track Light.

Primary Examiner—Susan J. Lucas
Attorney, Agent, or Firm—Hedman, Gibson, Costigan & Hoare

[30] **Foreign Application Priority Data**

- Sep. 15, 1987 [IT] Italy 22337/87[U]
- [52] U.S. Cl. **D26/63**
- [58] Field of Search **D26/60-65;**
362/33, 147, 269, 275, 287, 418, 419, 428, 429

[57] **CLAIM**

The ornamental design for a spotlight housing, as shown and described.

[56] **References Cited**

U.S. PATENT DOCUMENTS

- D. 287,413 12/1986 Kusmer et al. D26/65
- D. 299,552 1/1989 Donato D26/63
- 4,414,617 11/1983 Galindo D26/61 X

DESCRIPTION

FIG. 1 is a top perspective view of a spotlight housing, showing my new design;
FIG. 2 is a front elevational view thereof;
FIG. 3 is a rear elevational view thereof;
FIG. 4 is a first side elevational view thereof;
FIG. 5 is a second side elevational view thereof;
Fig. 6 is a bottom plan view thereof; and
FIG. 7 is a top plan view thereof.

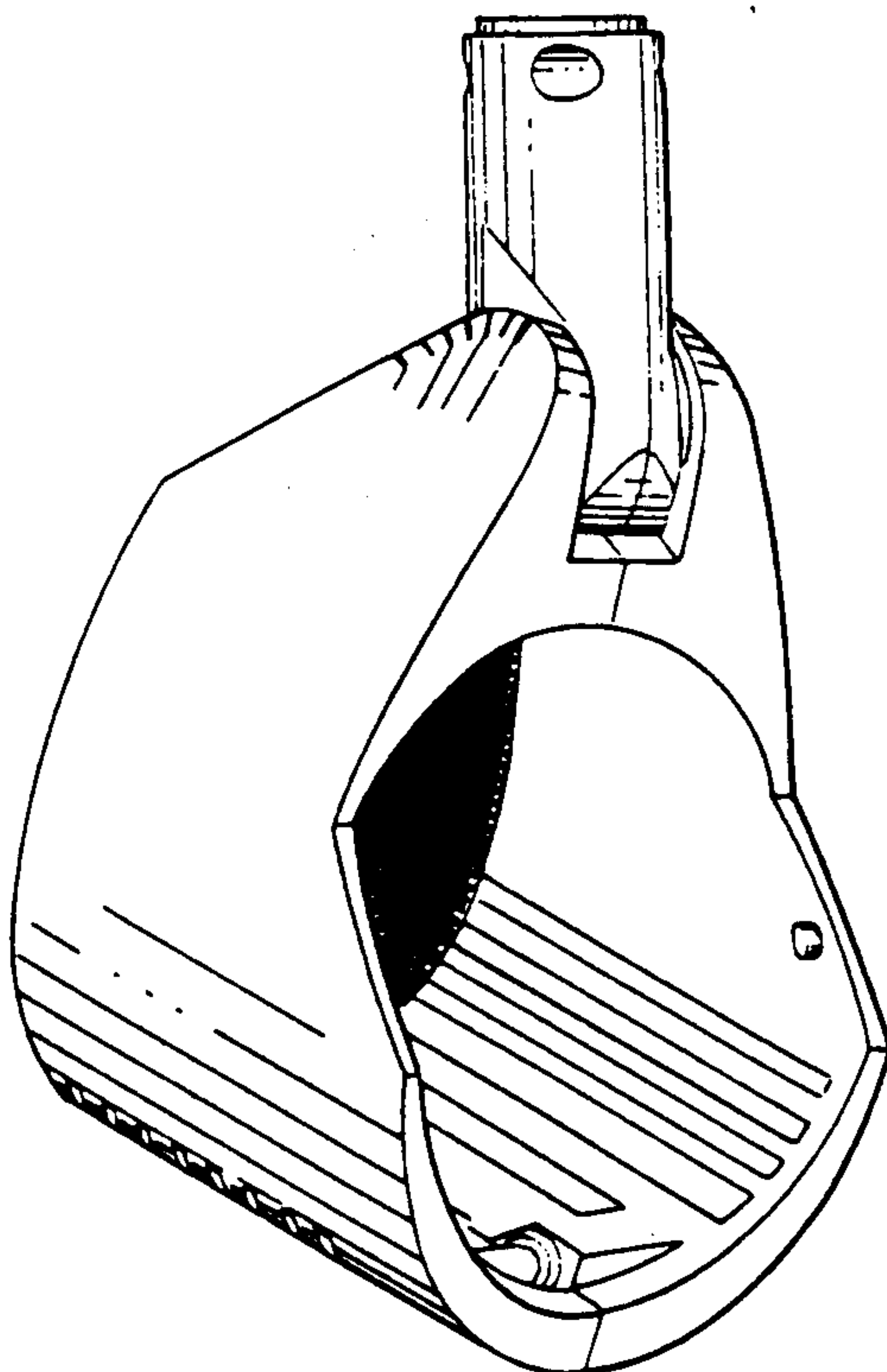


Fig.1

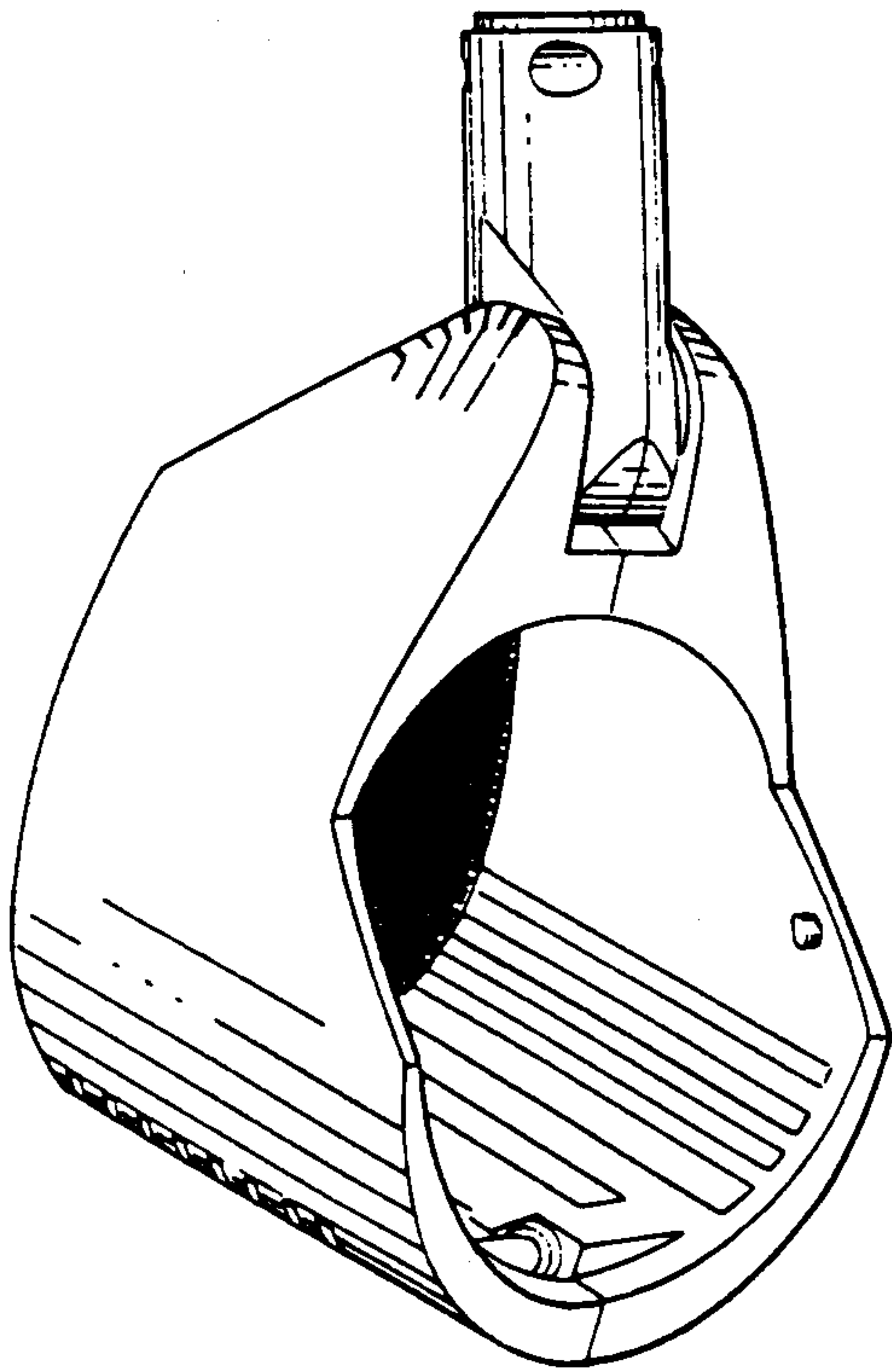


Fig.2

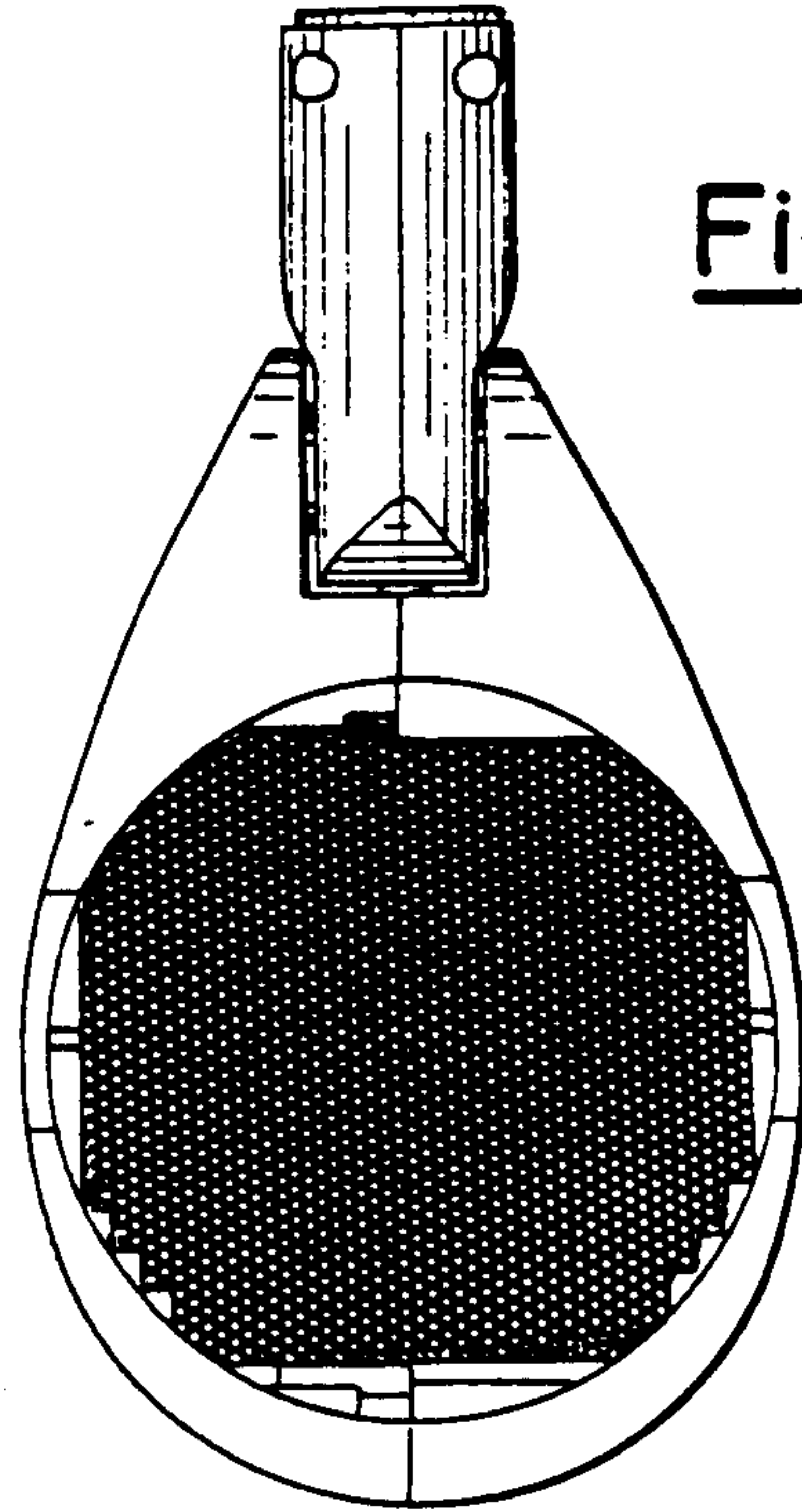
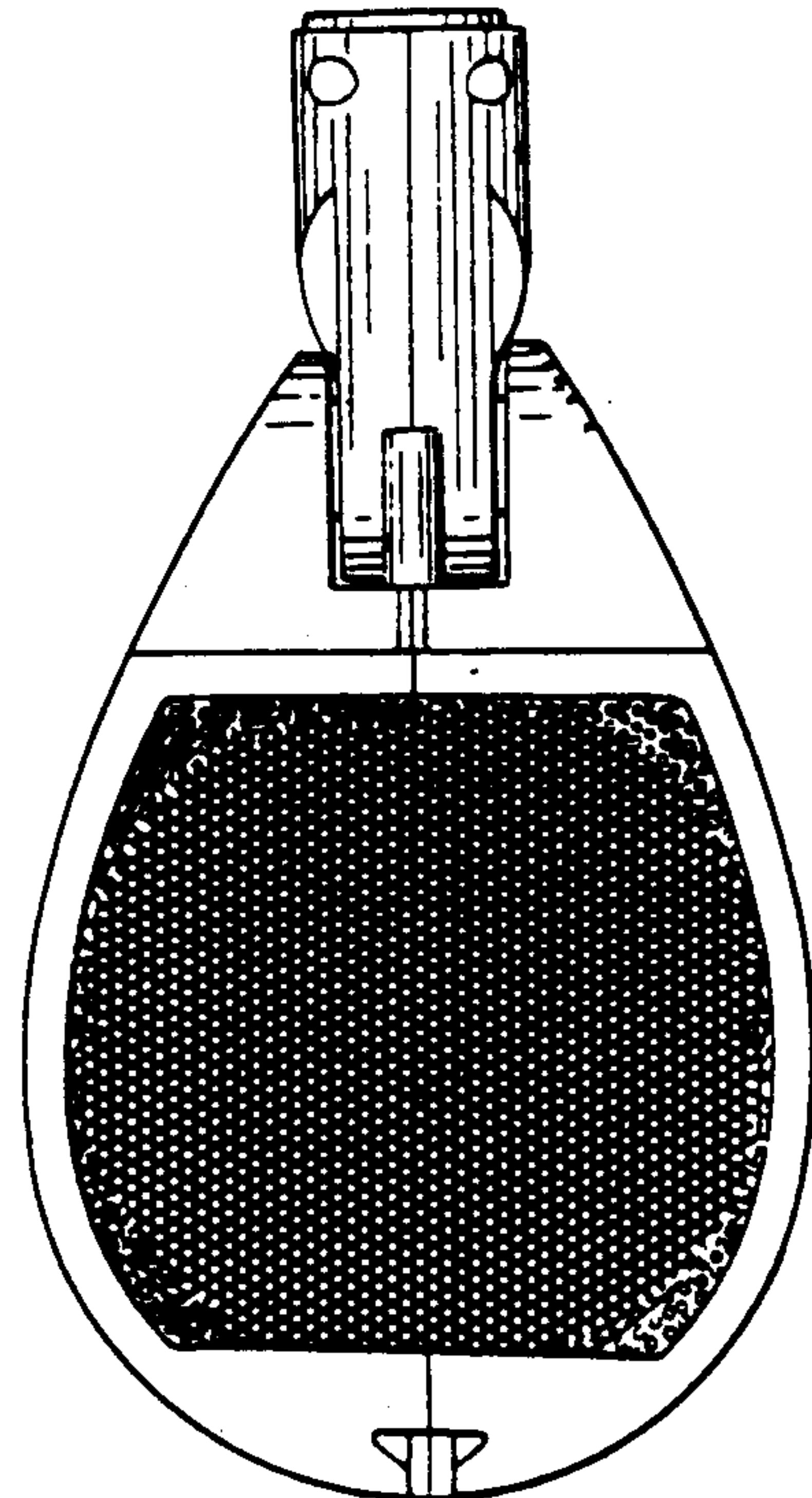


Fig.3



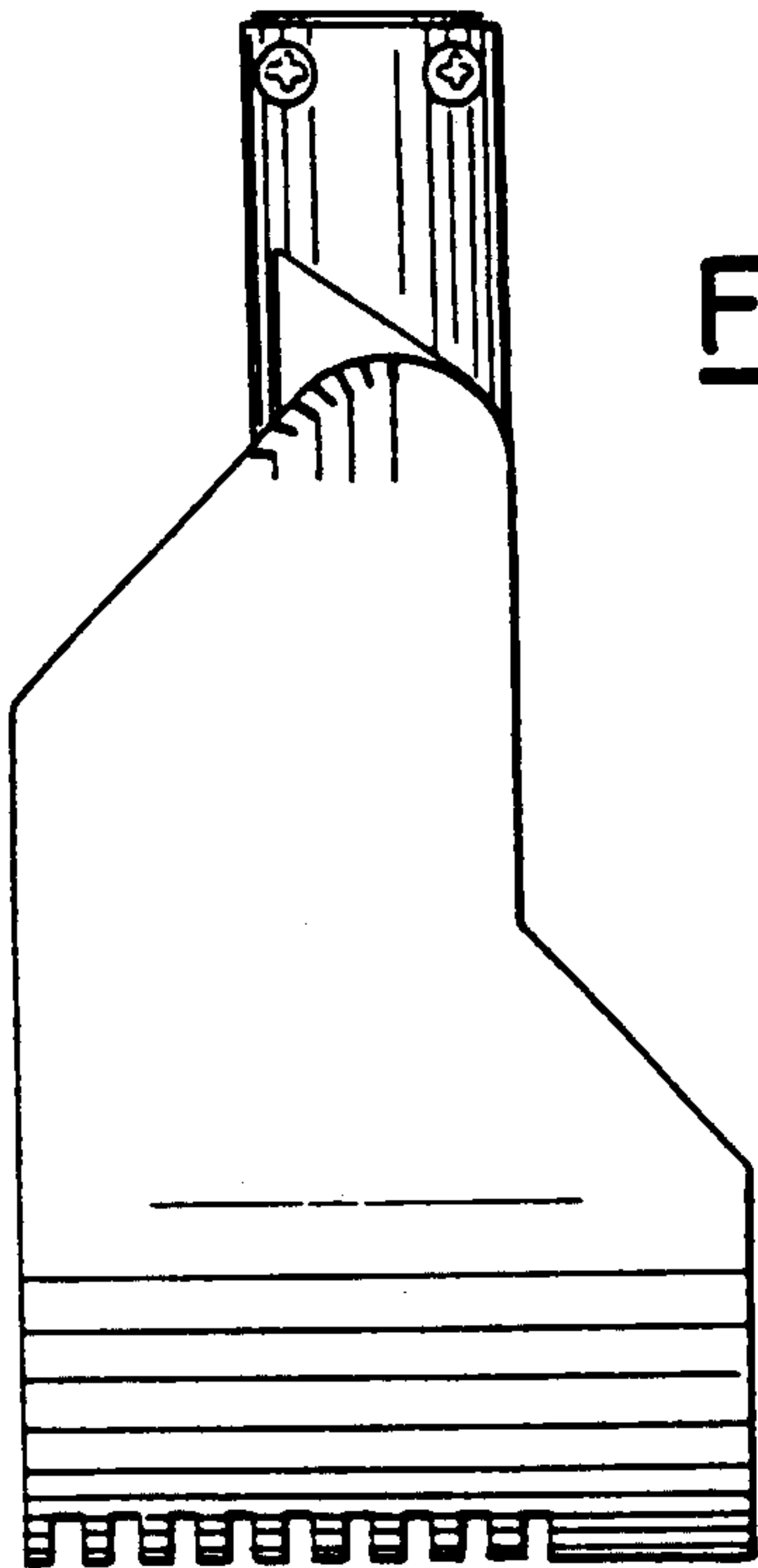


Fig.4

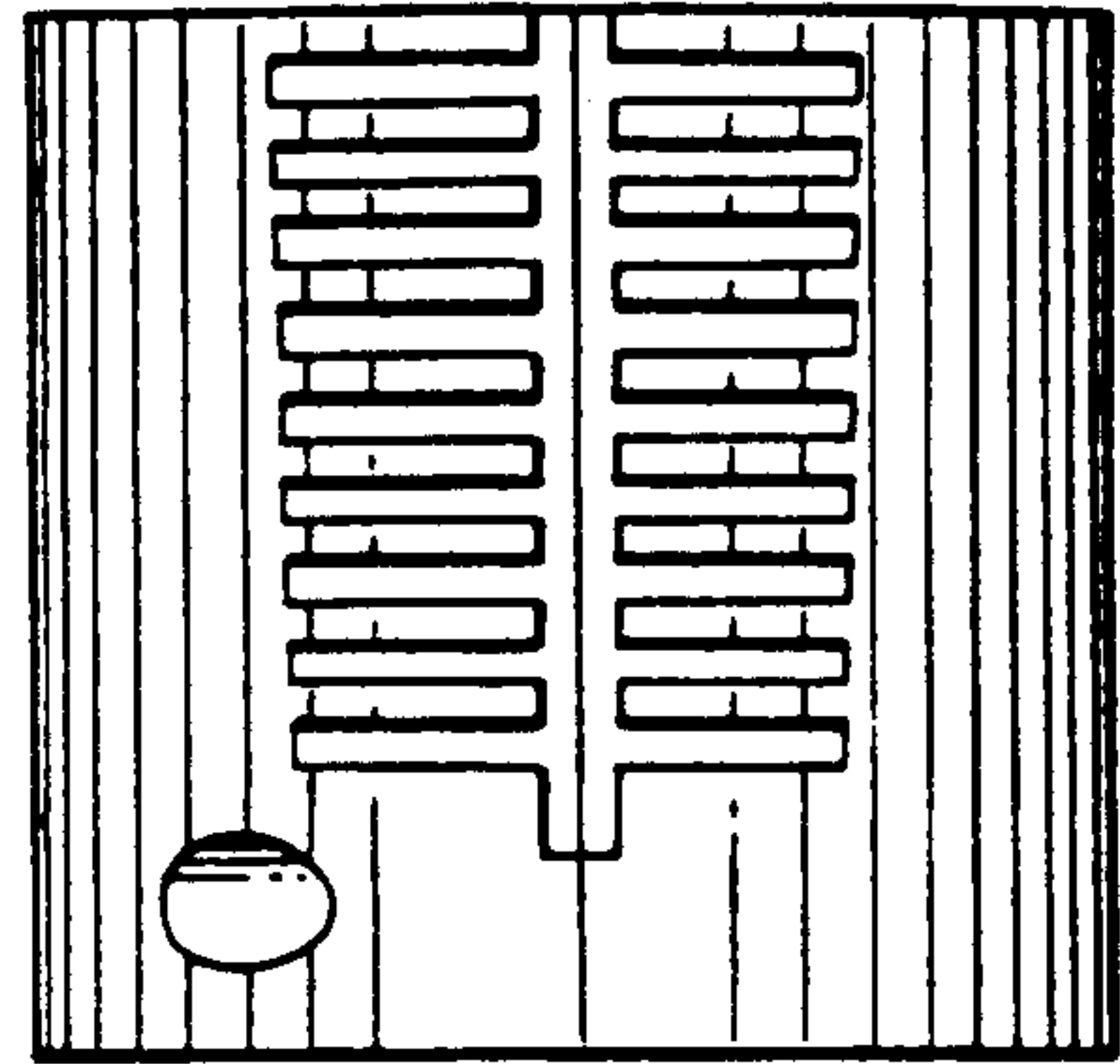


Fig.6

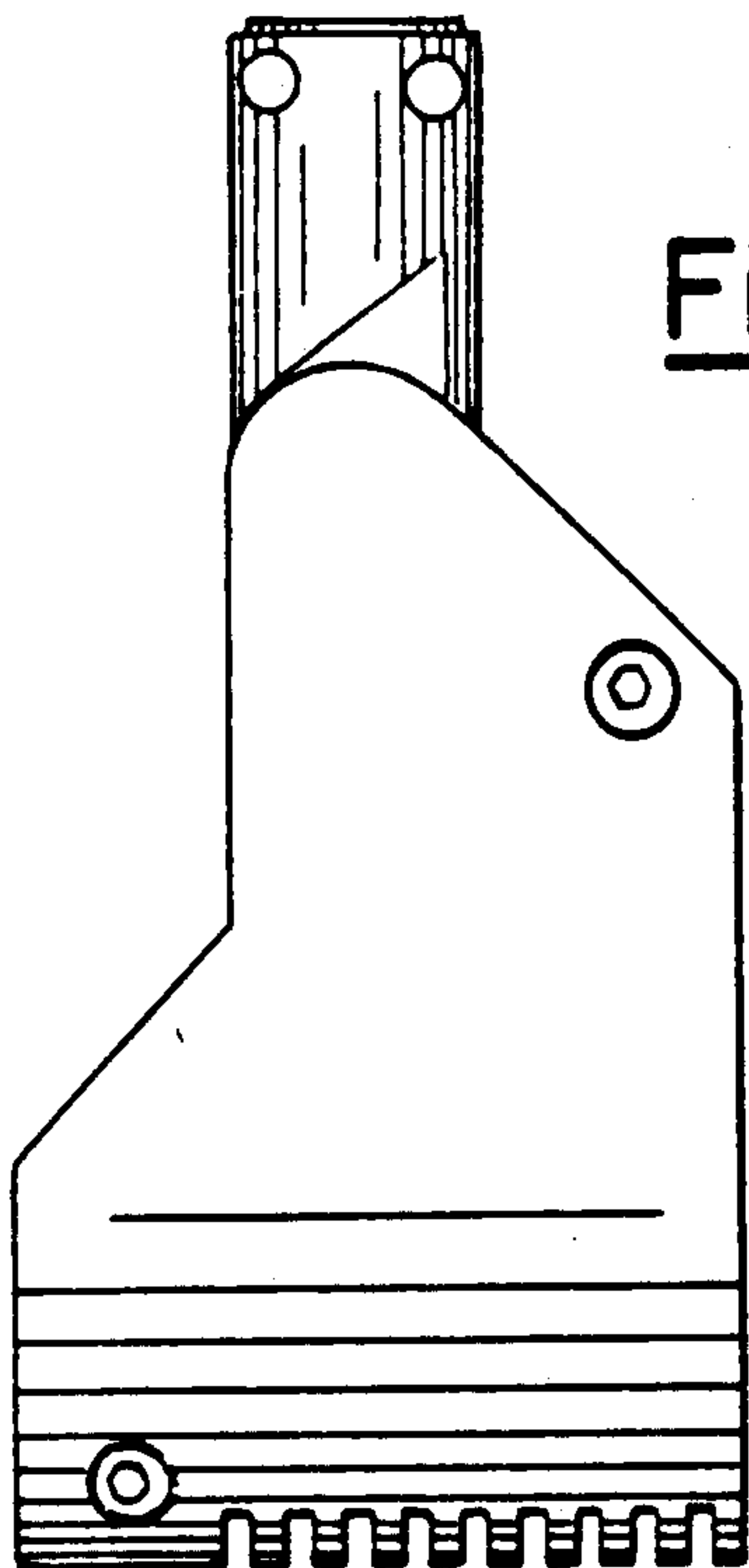


Fig.5

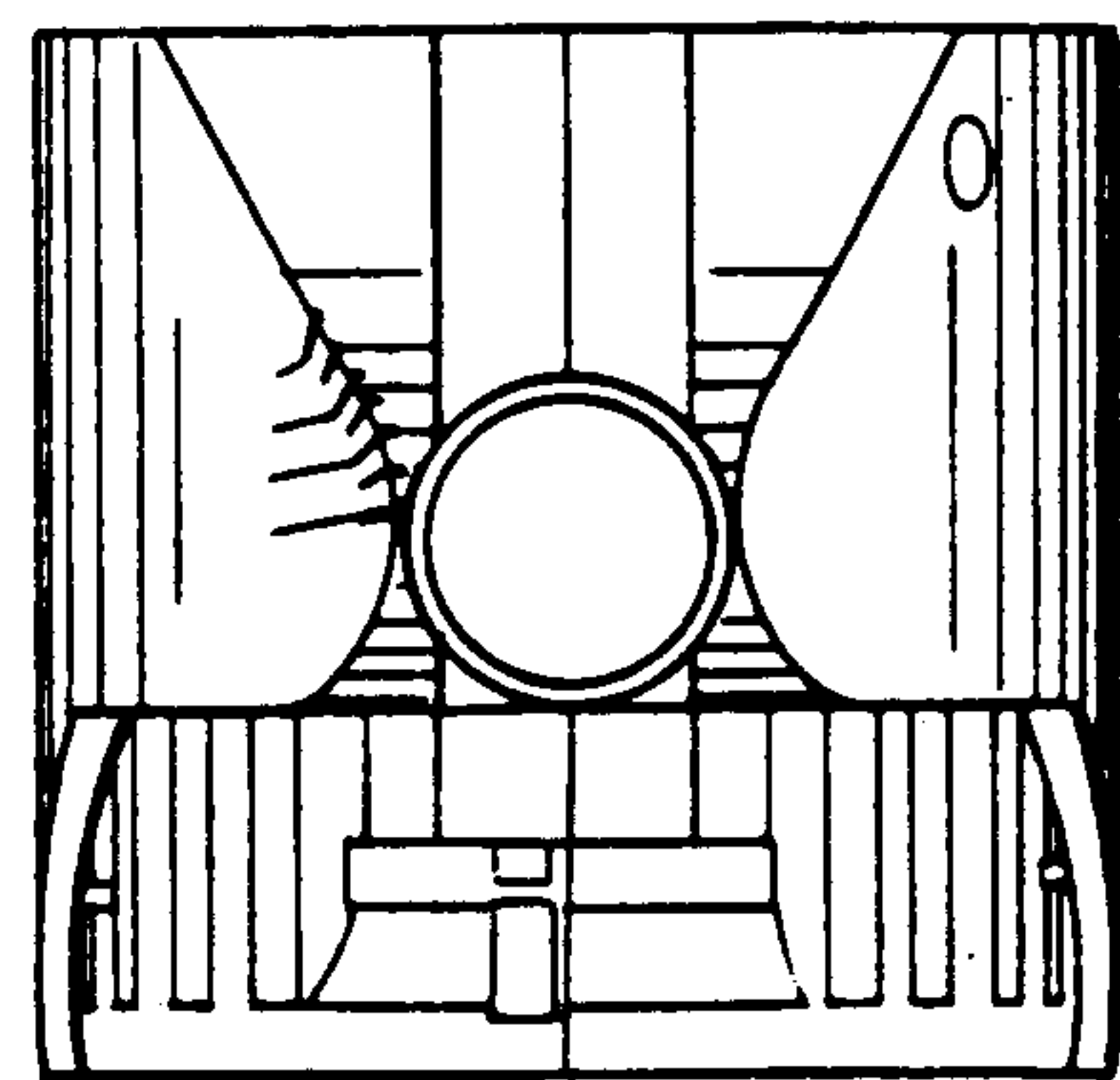


Fig.7