

United States Patent [19]

Johansson

[11] Patent Number: **Des. 317,205**

[45] Date of Patent: **** May 28, 1991**

[54] **HANDRAIL SECTION**

[75] Inventor: **Hans-Erik Johansson, Växjö, Sweden**

[73] Assignee: **Söderhamn Innovation AB, Söderhamn, Sweden**

[**] Term: **14 Years**

[21] Appl. No.: **257,045**

[22] Filed: **Oct. 13, 1988**

[30] **Foreign Application Priority Data**

Apr. 13, 1988 [SE] Sweden 88-0898

[52] U.S. Cl. **D25/38; D25/125**

[58] Field of Search **D25/38, 41, 43, 121, D25/124; 256/59-72, DIG. 6**

[56] **References Cited**

U.S. PATENT DOCUMENTS

- 2,310,593 2/1942 Orlicki .
- 2,479,500 8/1949 Longberg .
- 3,021,115 2/1962 Dake 256/65

- 3,918,686 11/1975 Knott et al. .
- 4,007,918 2/1977 Matsubara 256/59
- 4,220,316 9/1980 Naka et al. 256/59
- 4,361,314 11/1982 Ohlson .
- 4,367,517 1/1983 Balzer .

FOREIGN PATENT DOCUMENTS

- 322154 7/1957 Switzerland .
- 2048332 12/1980 United Kingdom .
- 2110864 6/1983 United Kingdom .

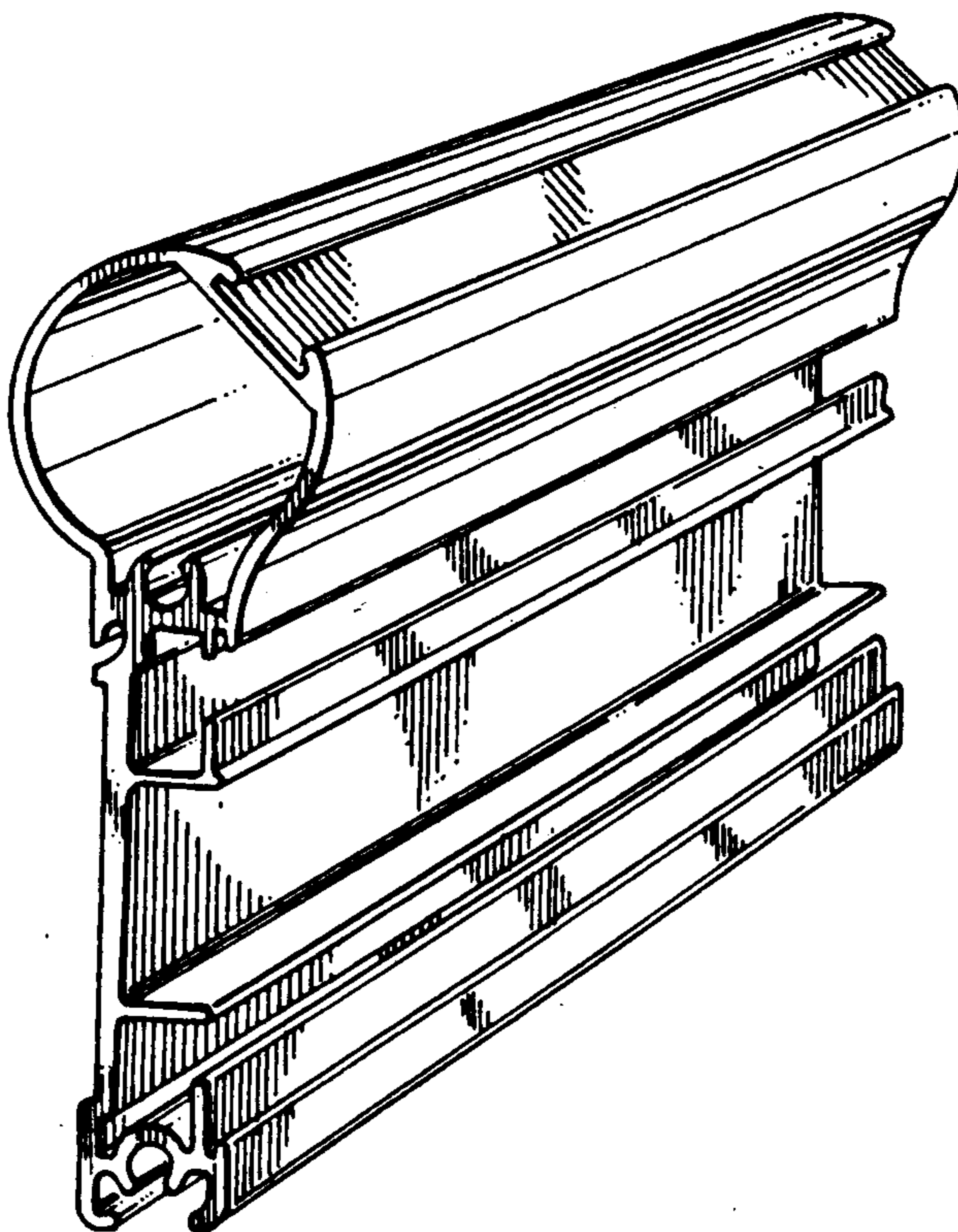
Primary Examiner—A. Hugo Word
Assistant Examiner—Doris Clark
Attorney, Agent, or Firm—McFadden, Fincham, Marcus & Anissimoff

[57] **CLAIM**

The ornamental design for a handrail section, as shown.

DESCRIPTION

FIG. 1 is a front perspective view of a handrail section showing my new design;
FIG. 2 is a rear perspective view thereof; and
FIG. 3 is an end elevational view thereof.



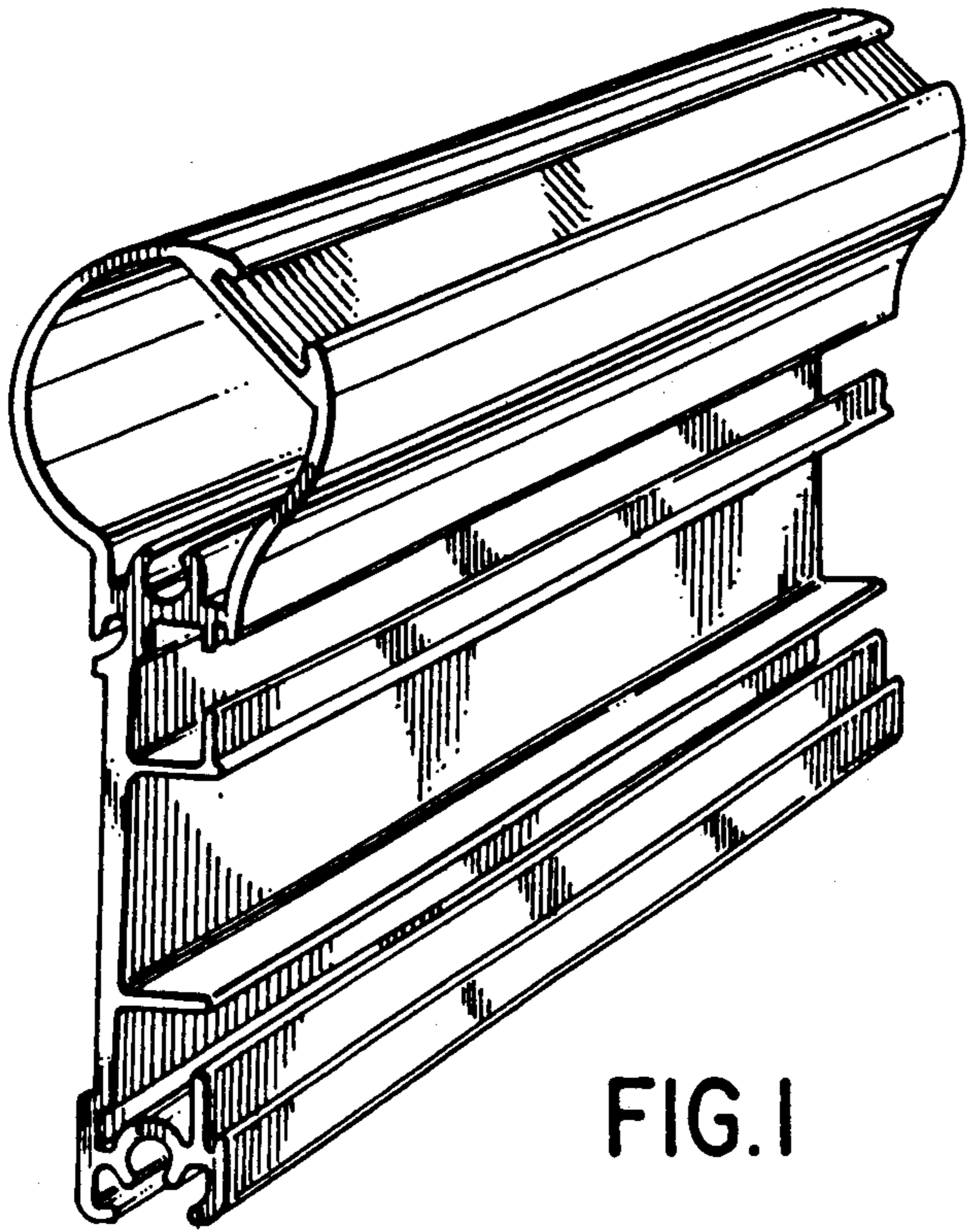


FIG. 1

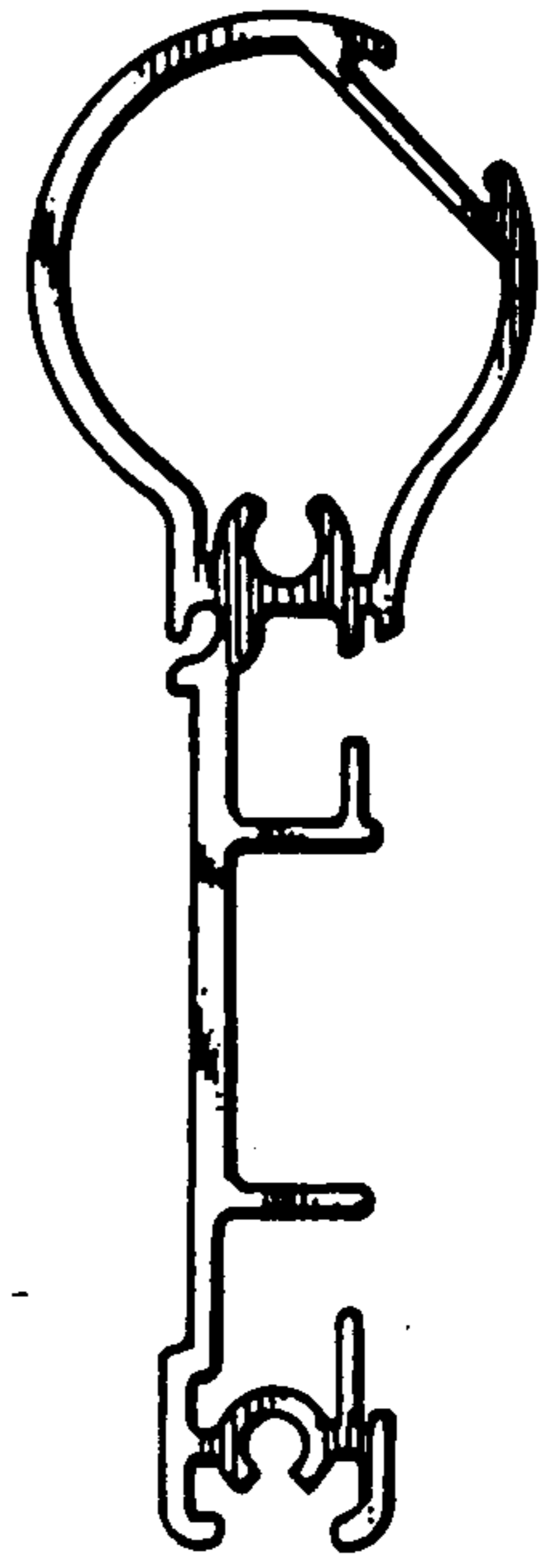


FIG. 3

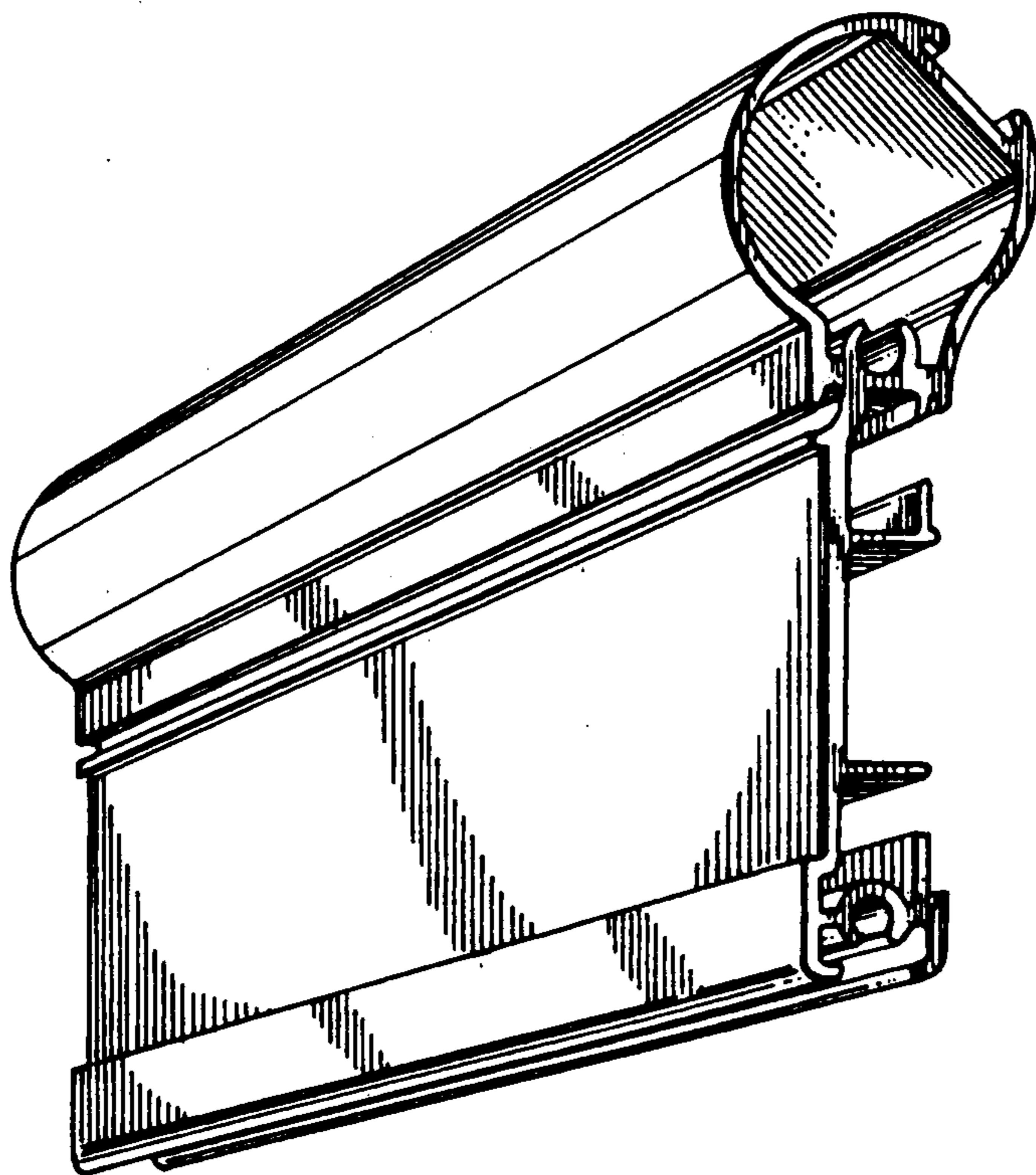


FIG. 2