

[54] DROPPER TIP OR SIMILAR ARTICLE

[76] Inventor: William Walsh, 3832 Beech Ave., Baltimore, Md. 21211

[**] Term: 14 Years

[21] Appl. No.: 100,009

[22] Filed: Sep. 23, 1987

[52] U.S. Cl. D24/112; D24/115; D24/222; D9/435

[58] Field of Search D9/434, 435, 436, 447; D24/51, 52, 55, 63; 604/411, 405, 217, 251; 222/149, 83, 541, 420, 567

[56] References Cited

U.S. PATENT DOCUMENTS

D. 296,592	7/1988	Wellenstam	D24/51
D. 297,262	8/1988	Sternweiler	D24/52
D. 300,561	4/1989	Asa et al.	D24/55
1,153,810	9/1915	Milward	.	
2,188,802	1/1940	Beckett	222/420
2,734,665	2/1956	Flamm	.	
2,896,237	7/1959	Owens et al.	.	

2,987,223	6/1961	Armour	.	
3,124,280	3/1964	Stull	D9/447
3,308,999	3/1967	Darlington, Jr.	.	
4,211,588	7/1980	Raines	604/411
4,234,103	11/1980	Strobl, Jr. et al.	.	
4,408,699	10/1983	Stock	.	
4,411,163	10/1983	White	D24/51
4,498,609	2/1985	Stock	.	
4,610,374	9/1986	Buehler	222/83
4,681,243	7/1987	Takasugi	222/83
4,773,551	9/1988	Rizzardi	222/420

Primary Examiner—Melvin B. Feifer
Assistant Examiner—Philip Hyder
Attorney, Agent, or Firm—Cushman, Darby & Cushman

[57] CLAIM

The ornamental design for a dropper tip or similar article, as shown and described.

DESCRIPTION

FIG. 1 is a front elevational view of a dropper tip or similar article showing my new design, the side and rear views appearing the same;
FIG. 2 is a top plan view thereof; and
FIG. 3 is a bottom plan view thereof.

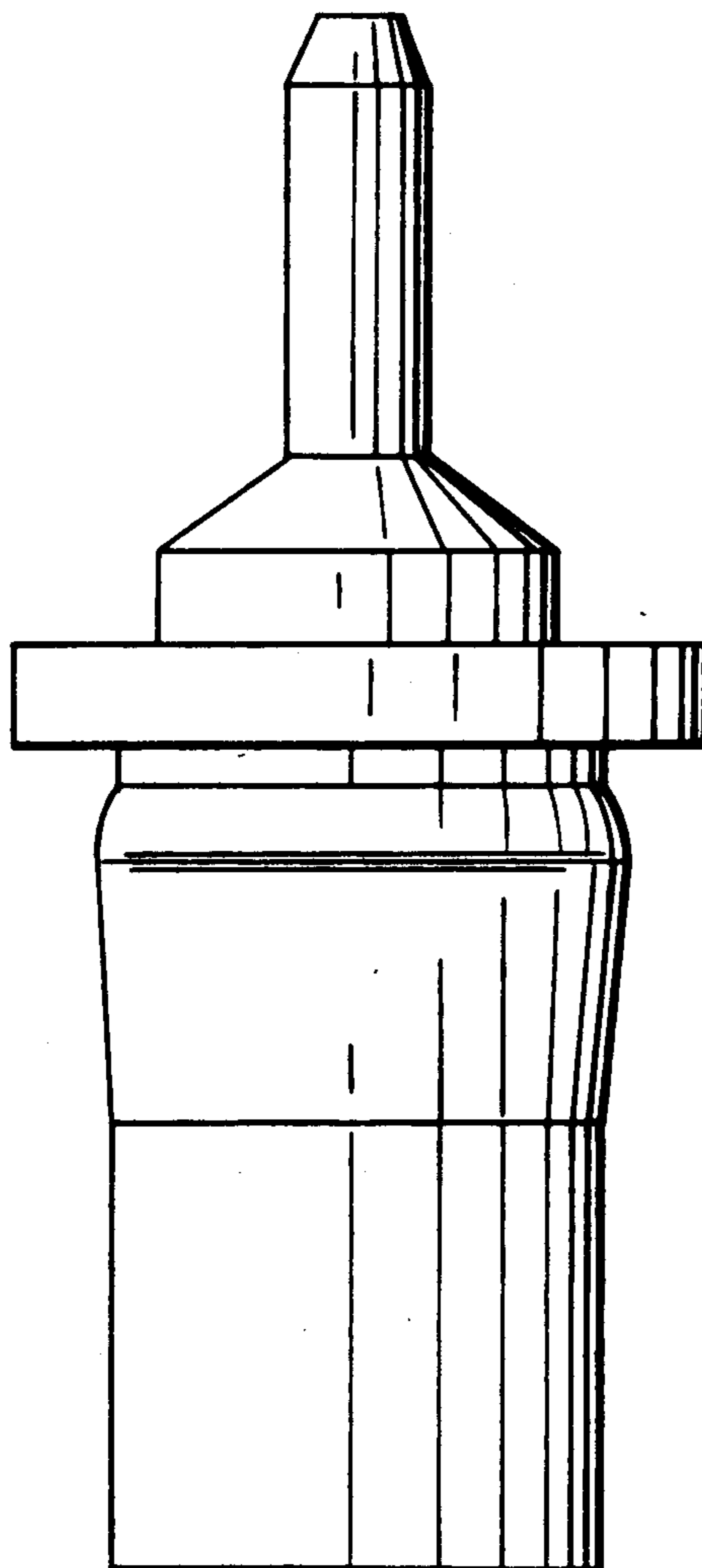


Fig. 1

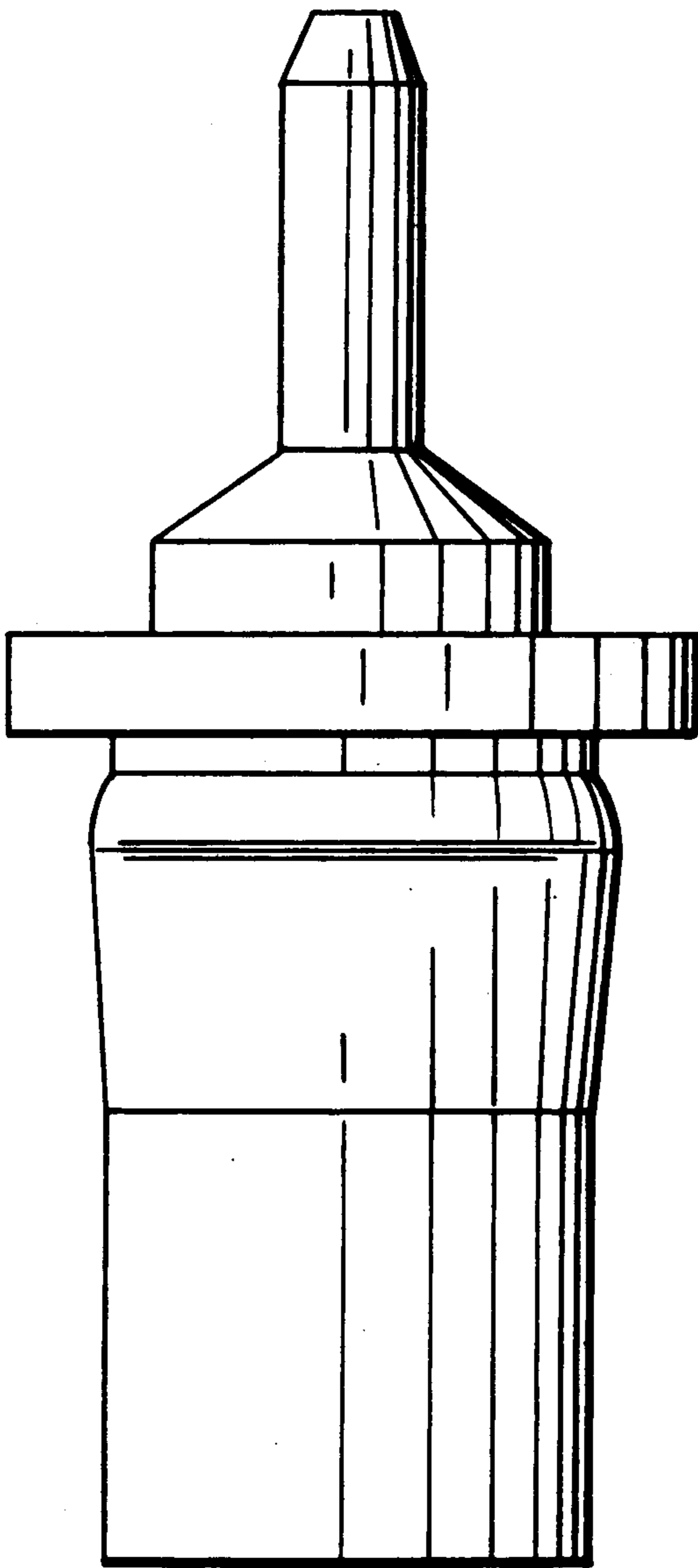


Fig. 2

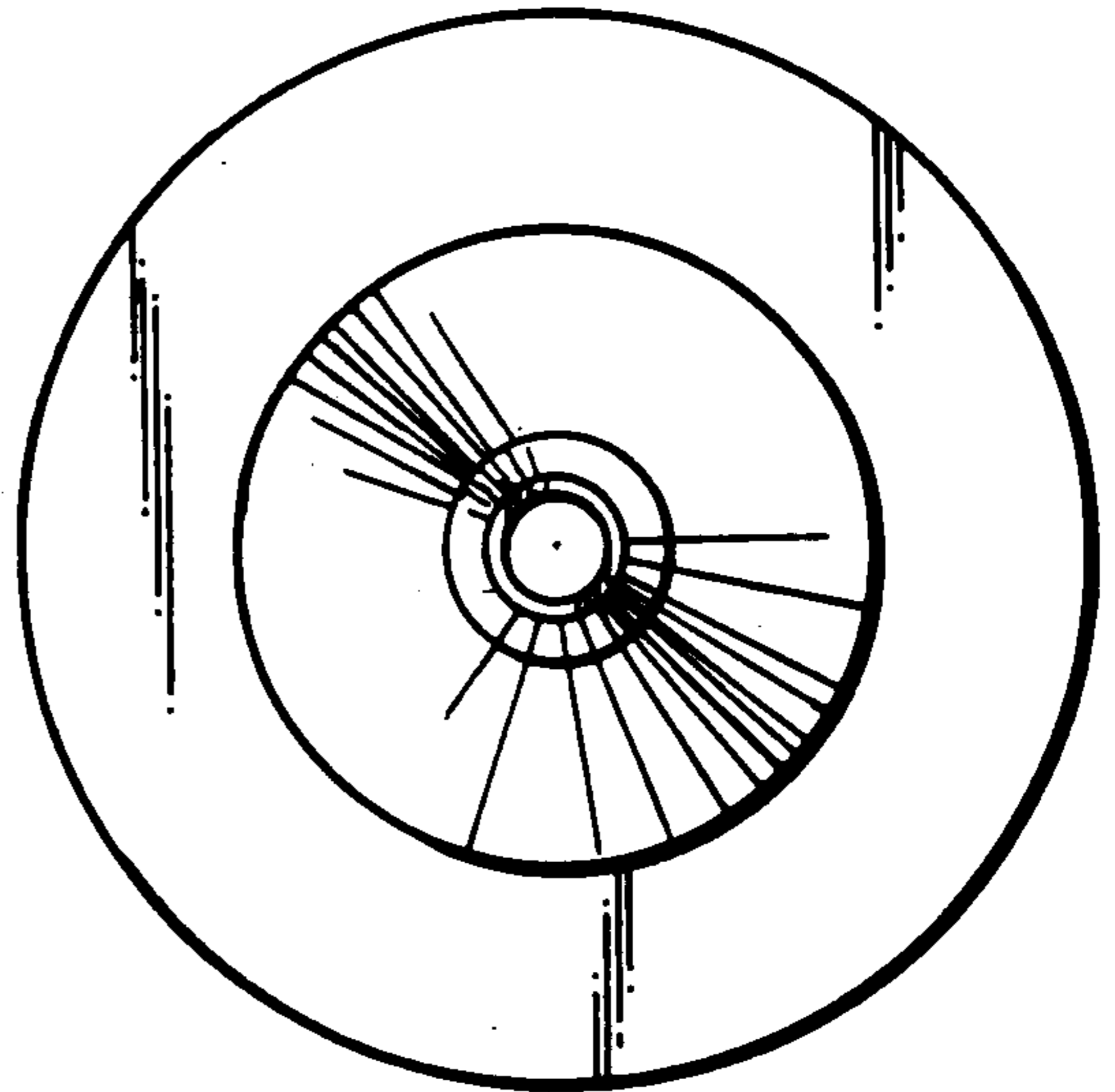


Fig. 3

