

[54] BONE RETRACTOR

[76] Inventor: Randall J. Torre, 842 S. Clover, San Jose, Calif. 95128

[\*\*] Term: 14 Years

[21] Appl. No.: 332,094

[22] Filed: Mar. 31, 1989

[52] U.S. Cl. .... D24/135

[58] Field of Search ..... D24/26, 27, 28, 18, D24/10; 128/321, 318, 319, 312, 328, 354, 303 R, 305, 751; D8/57, 58

[56] References Cited

U.S. PATENT DOCUMENTS

1,516,297 11/1924 Isom et al. .... 128/321  
3,721,245 3/1973 Campbell ..... 128/318

Primary Examiner—Stella Reid  
Attorney, Agent, or Firm—Schroeder, Davis & Orlliss

[57] CLAIM

The ornamental design for a bone retractor, as shown and described.

DESCRIPTION

FIG. 1 is a front perspective view of a bone retractor, showing my new design;

FIG. 2 is an enlarged fragmentary side elevational view of the distal end of FIG. 1;

FIG. 3 is a front perspective view of a second embodiment of the bone retractor of FIG. 1;

FIG. 4 is an enlarged fragmentary side elevational view of the distal end of FIG. 3;

FIG. 5 is a top plan view of FIG. 1;

FIG. 6 is a rear elevational view of FIG. 1;

FIG. 7 is a side elevational view of FIG. 1, the opposite side being identical;

FIG. 8 is a top plan view of FIG. 3;

FIG. 9 is a rear elevational view of FIG. 3;

FIG. 10 is a side elevational view of FIG. 3, the opposite side being identical;

FIG. 11 is a rear perspective view of a third embodiment of FIG. 1;

FIG. 12 is an enlarged fragmentary side elevational view of the distal end of FIG. 11;

FIG. 13 is a front perspective view of a fourth embodiment of the bone retractor of FIG. 1;

FIG. 14 is an enlarged fragmentary side elevational view of the distal end of FIG. 13;

FIG. 15 is a top plan view of FIG. 11;

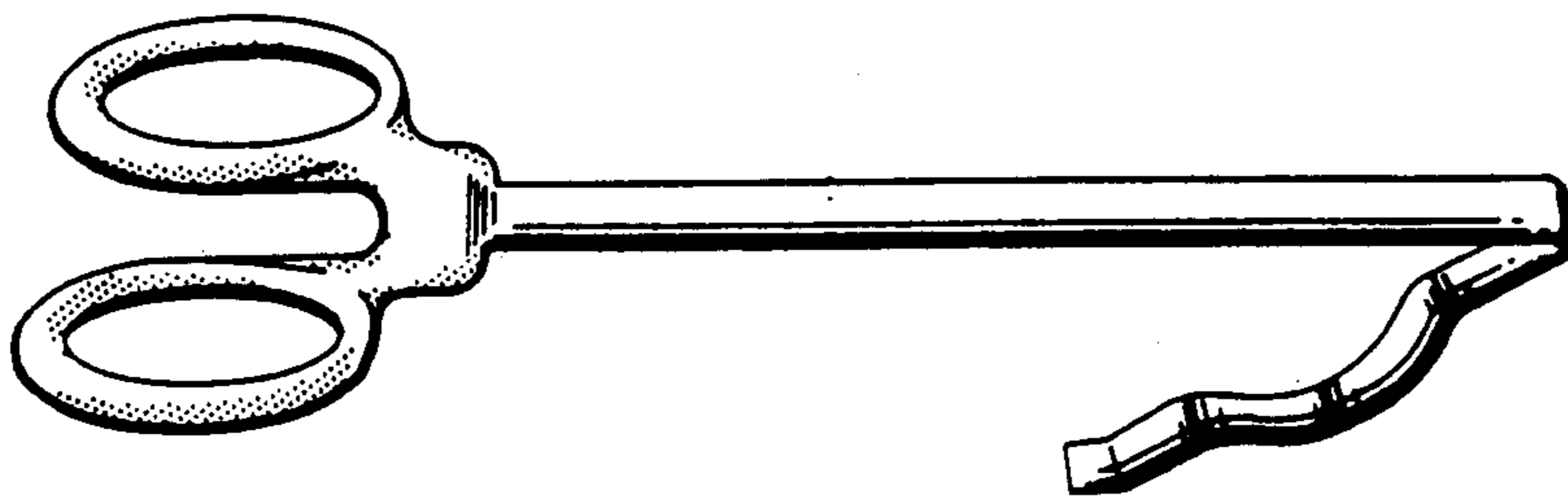
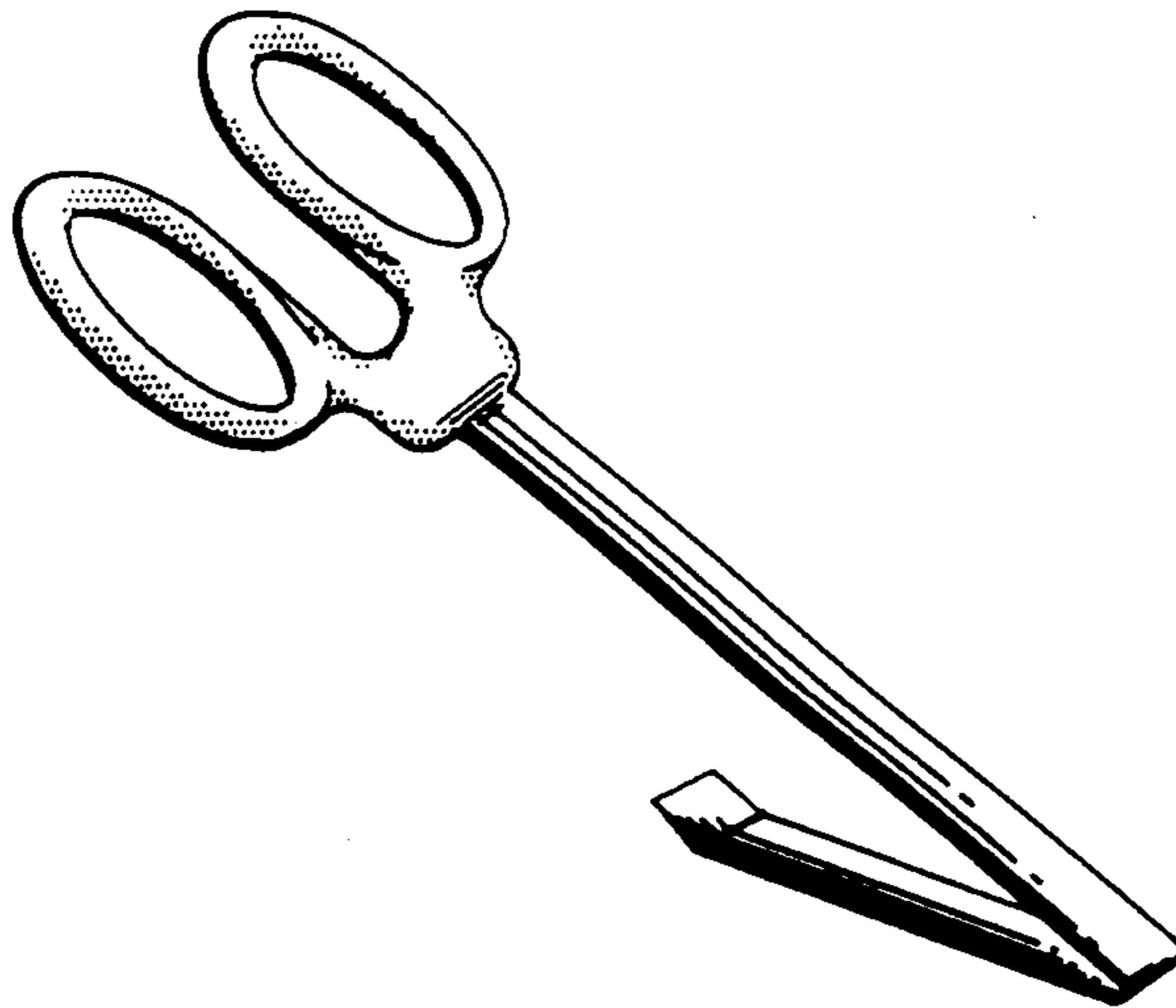
FIG. 16 is a rear elevational view of FIG. 11;

FIG. 17 is a side elevational view of FIG. 11, the opposite side being identical;

FIG. 18 is a top plan view of FIG. 13;

FIG. 19 is a rear elevational view of FIG. 13; and

FIG. 20 is a side elevational view of FIG. 13, the opposite side being identical.



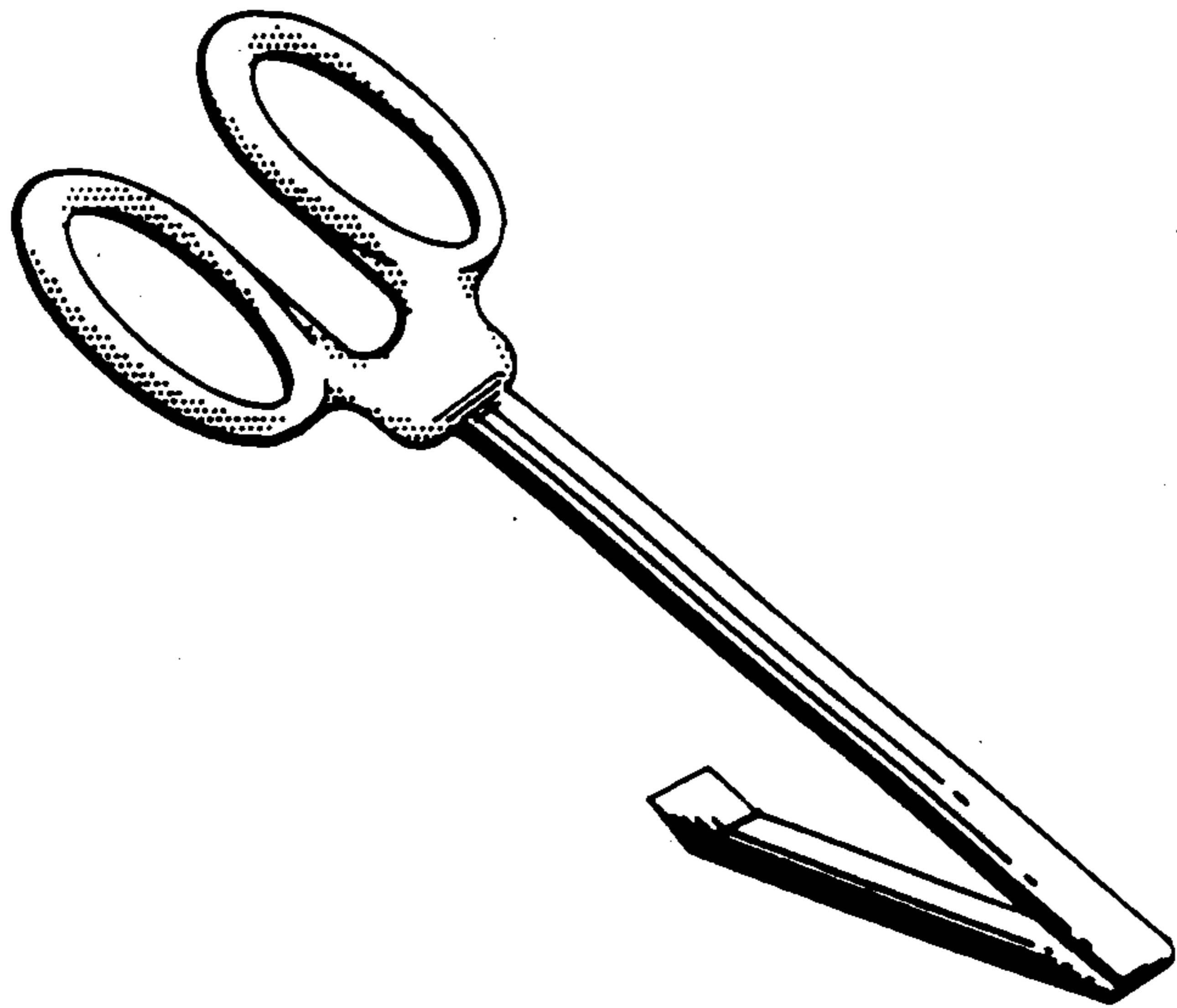


FIG. 1

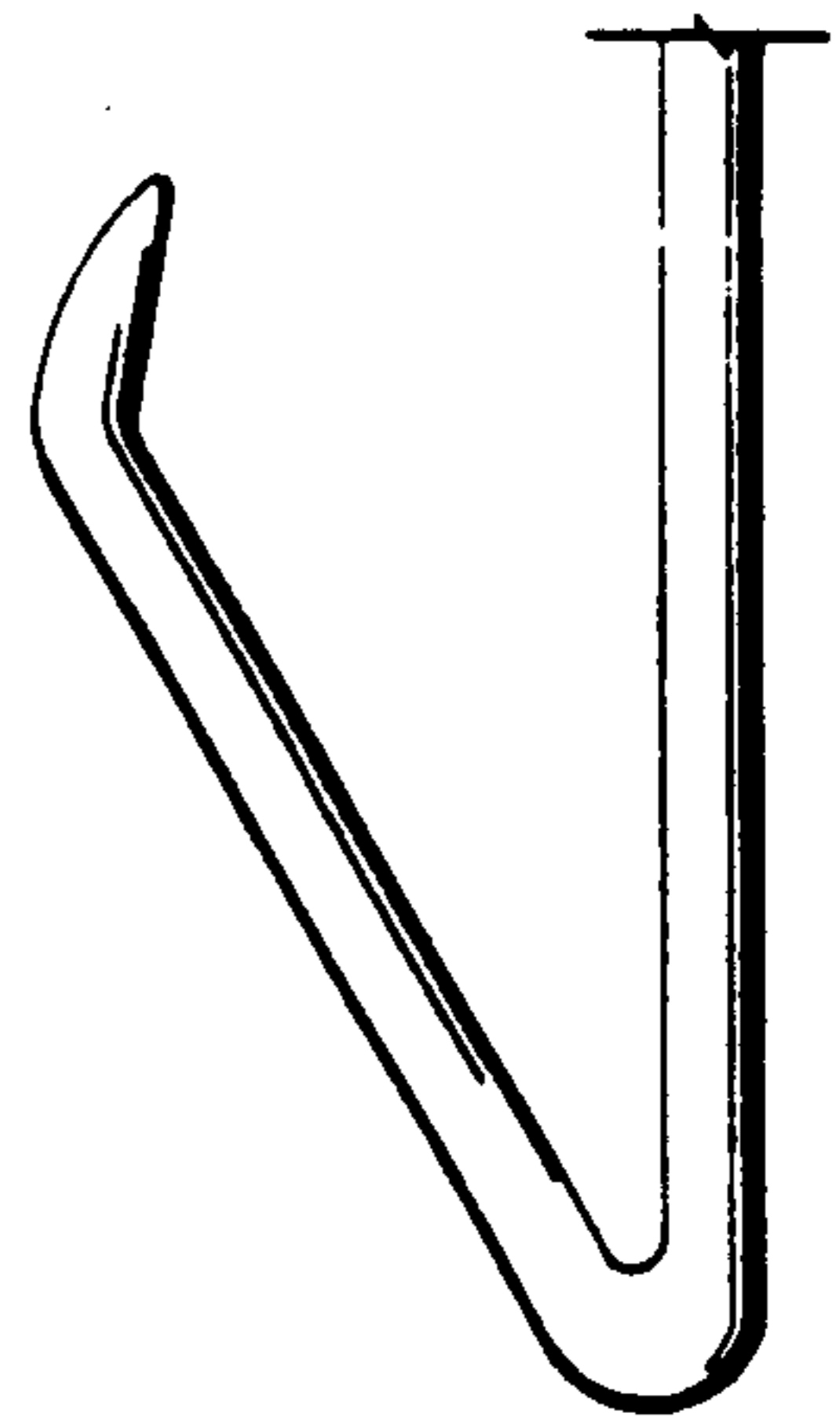


FIG. 2

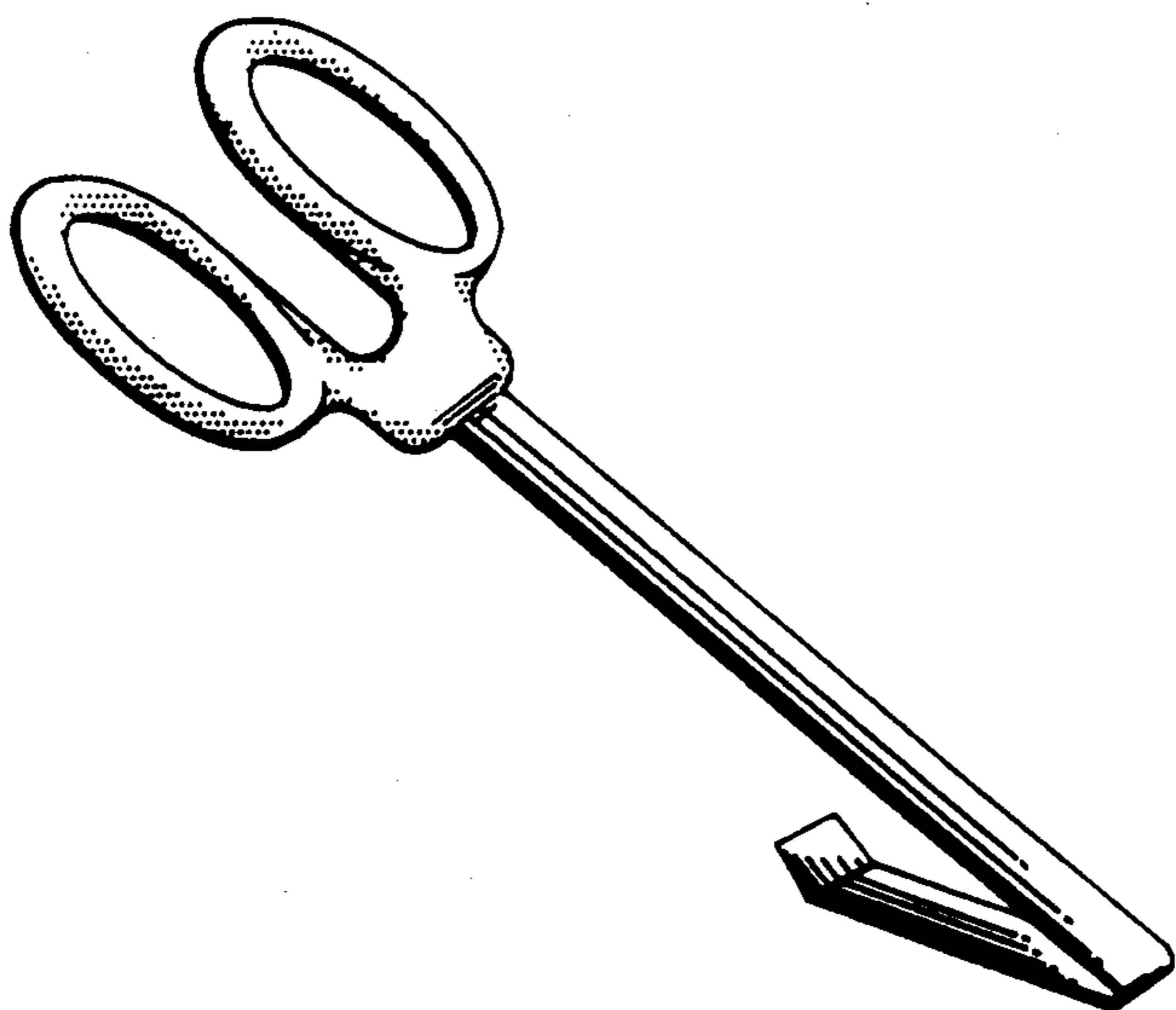


FIG. 3

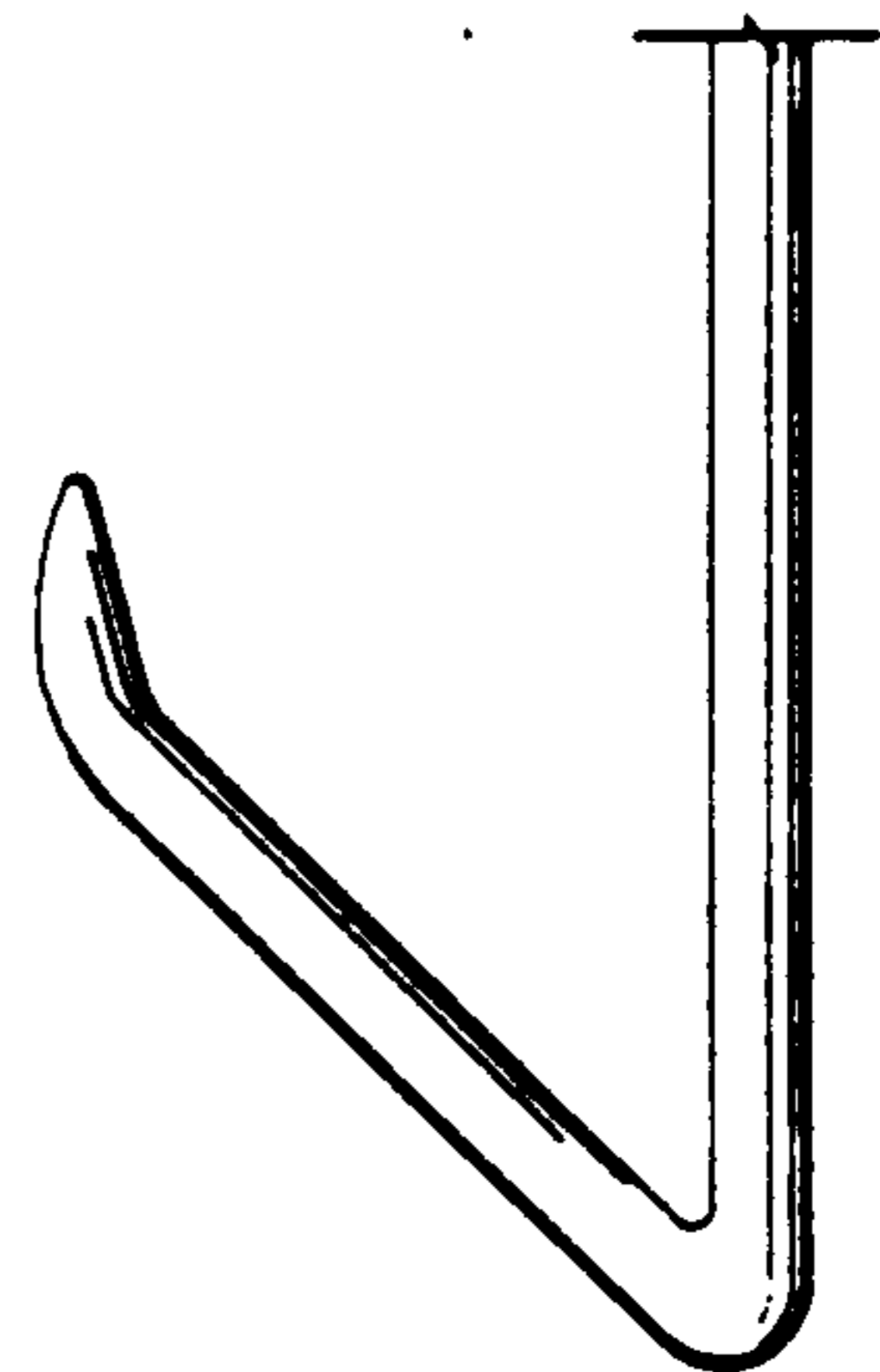


FIG. 4

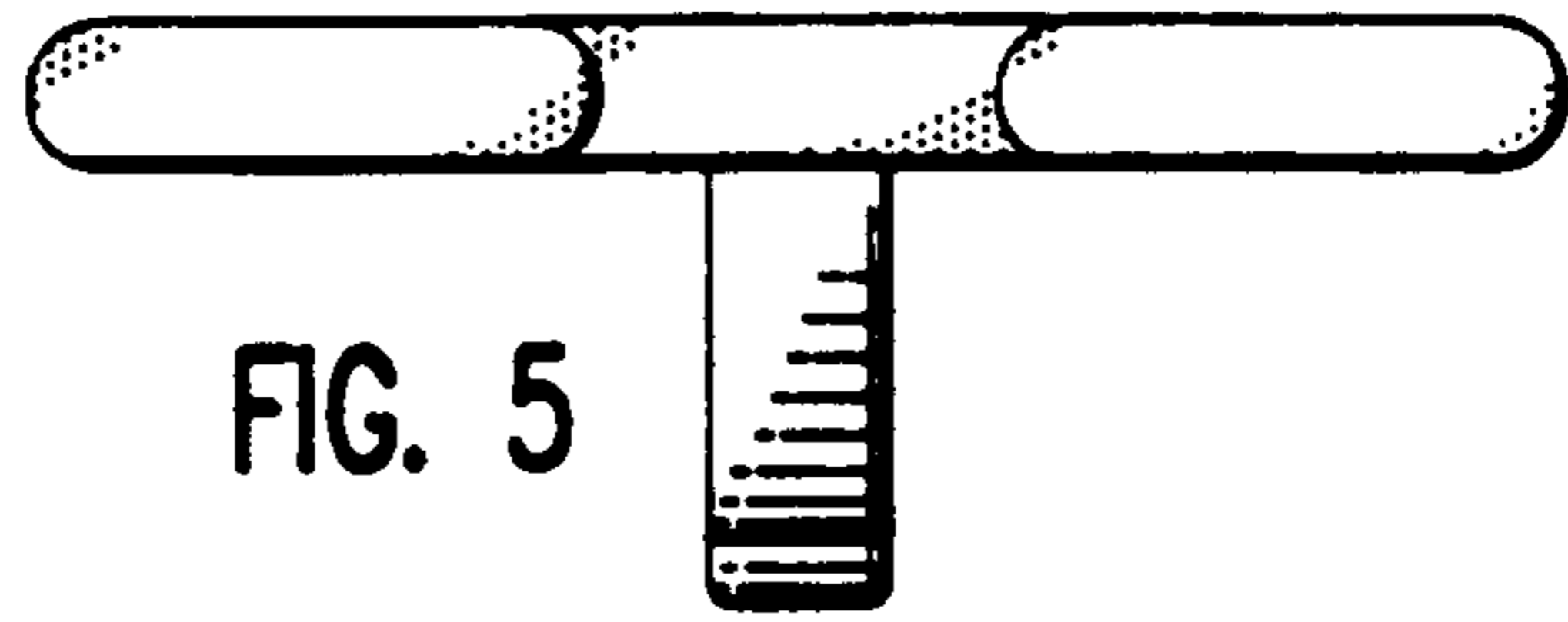


FIG. 5

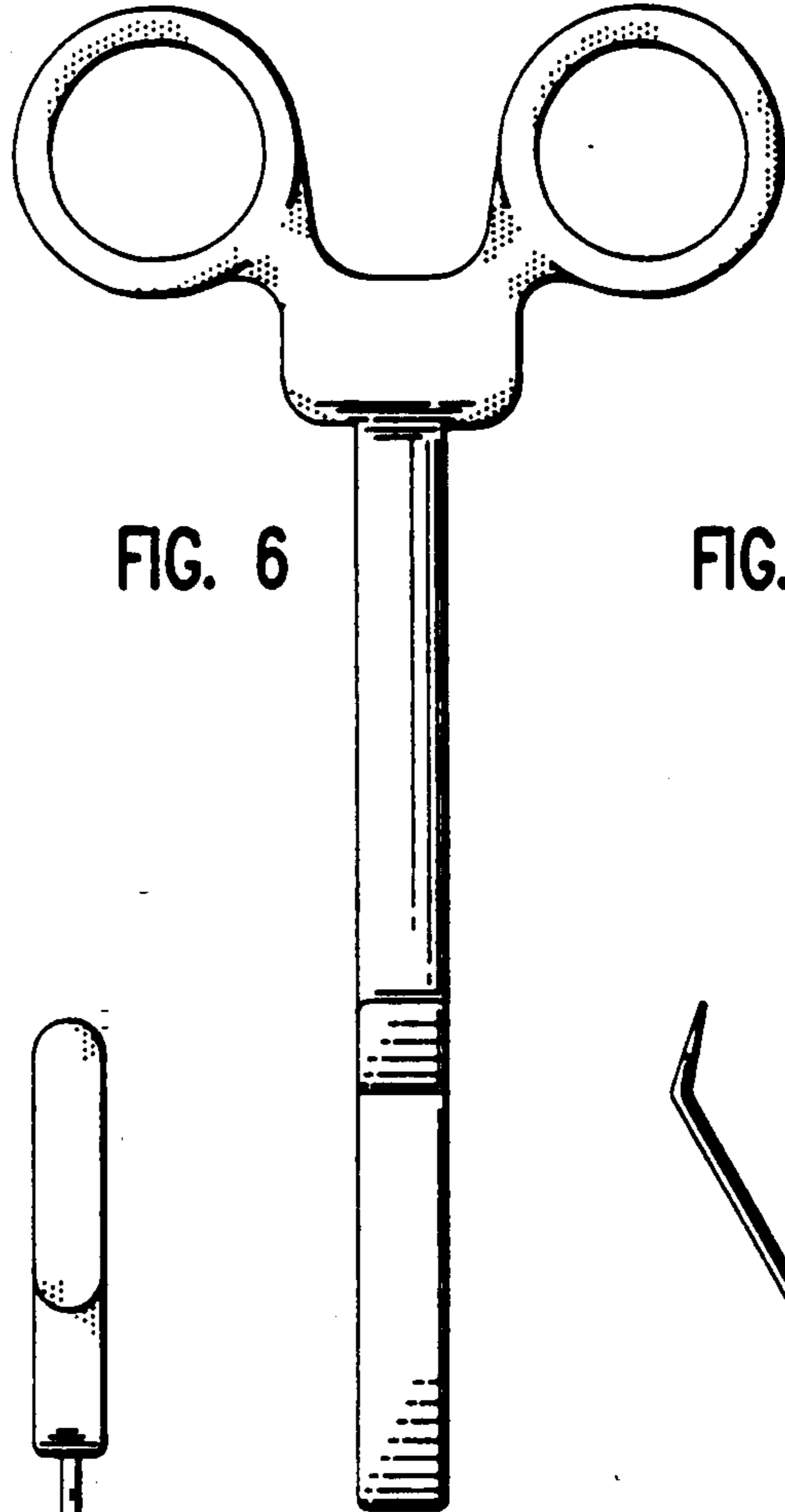


FIG. 6



FIG. 7

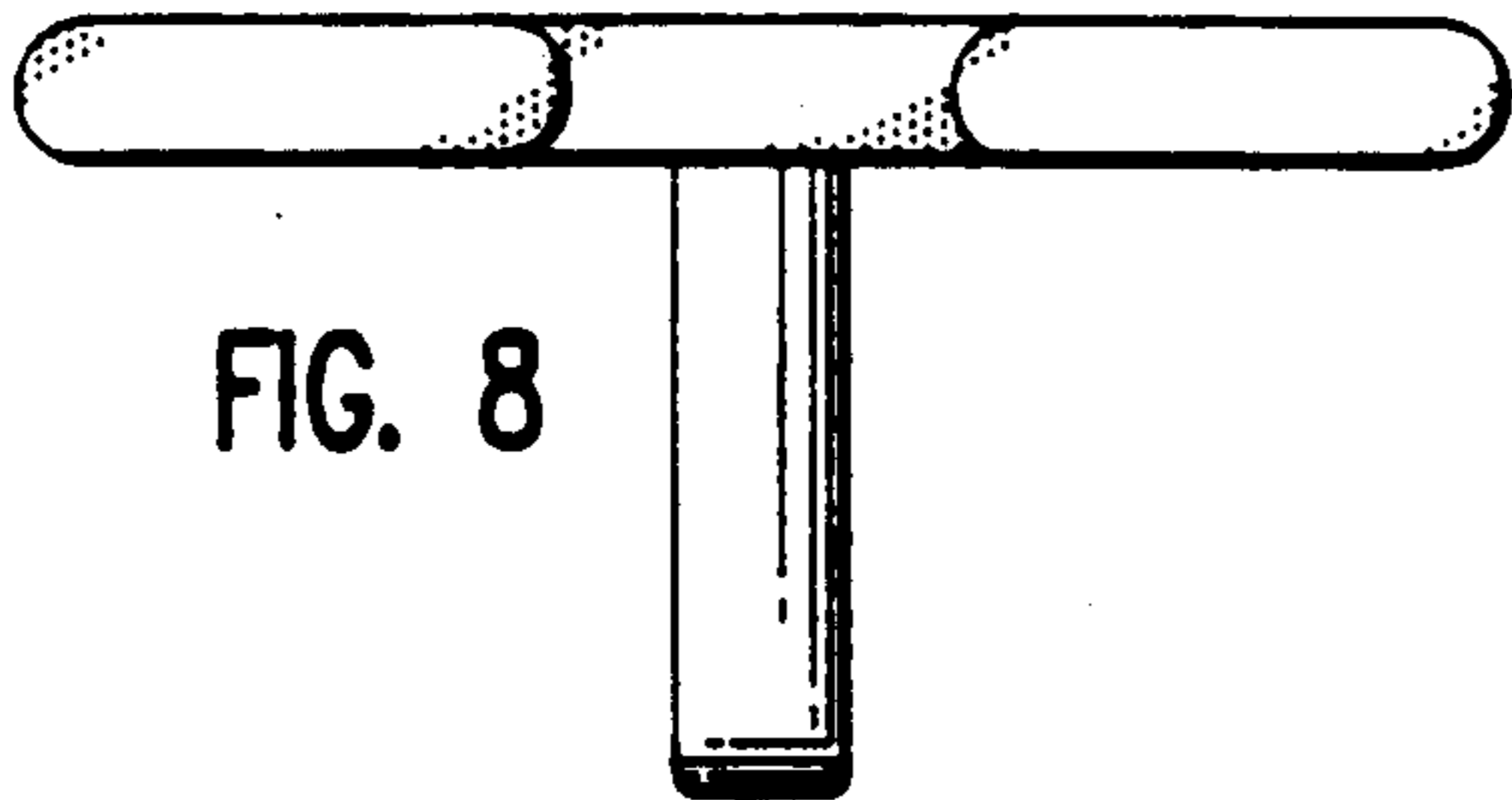


FIG. 8

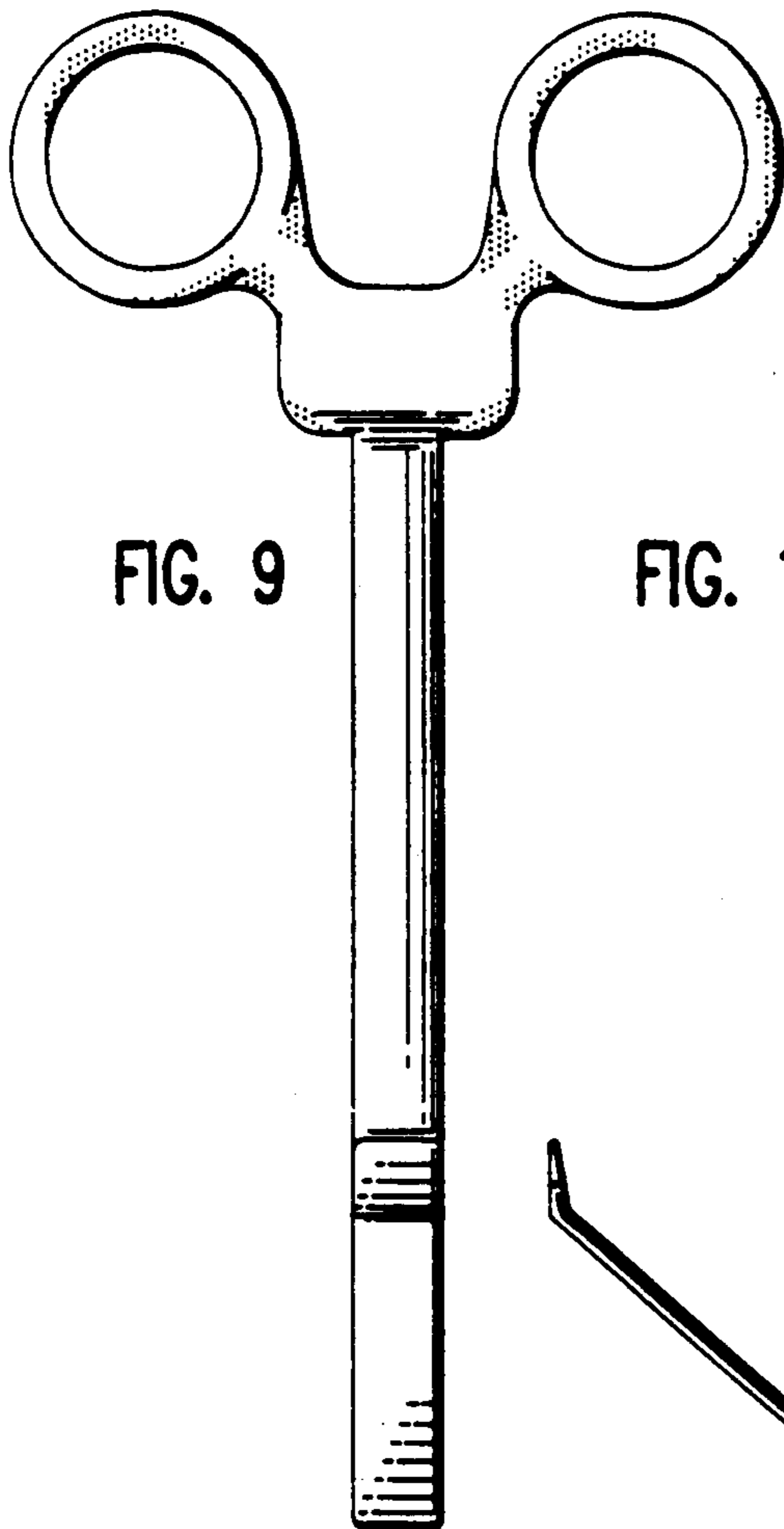
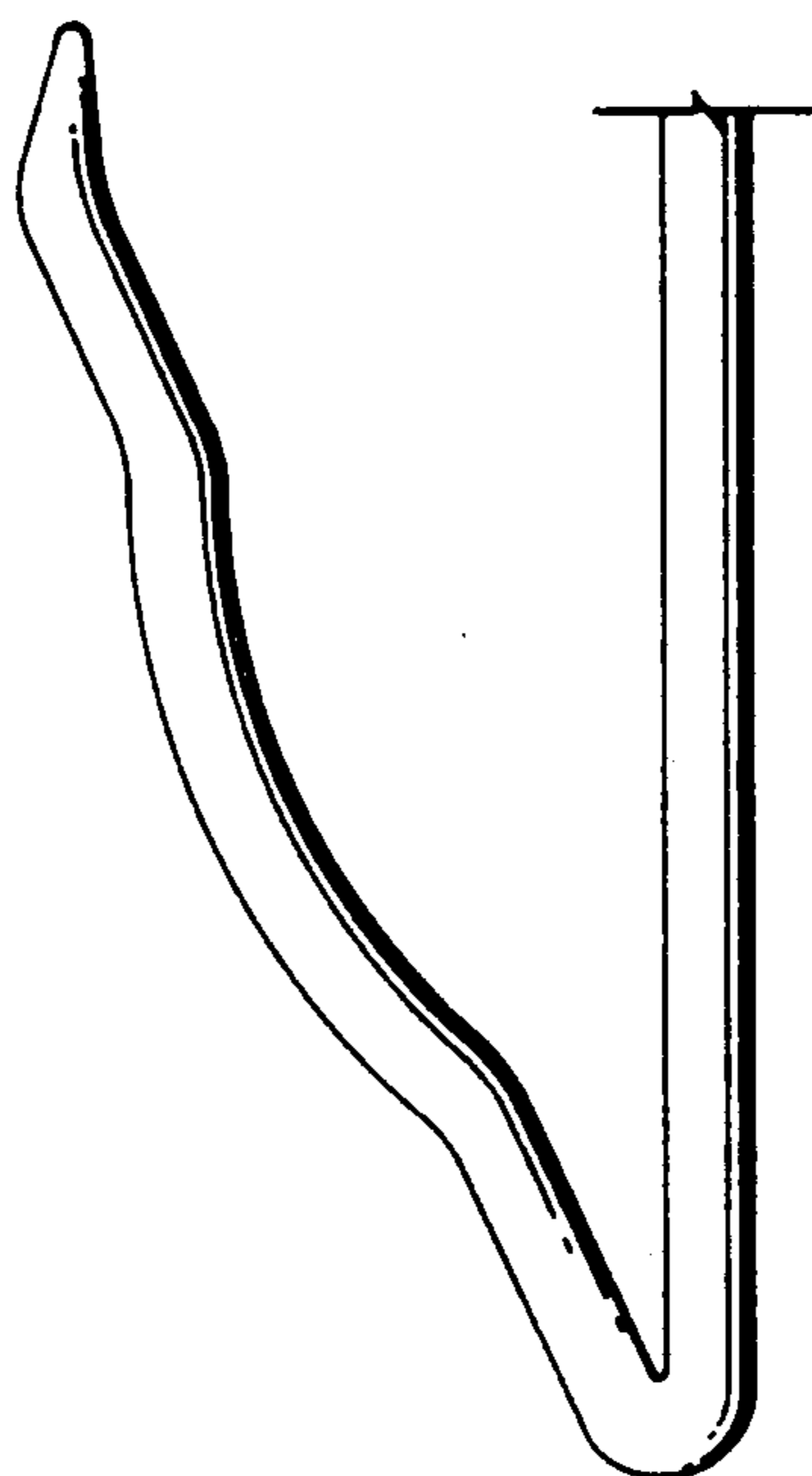
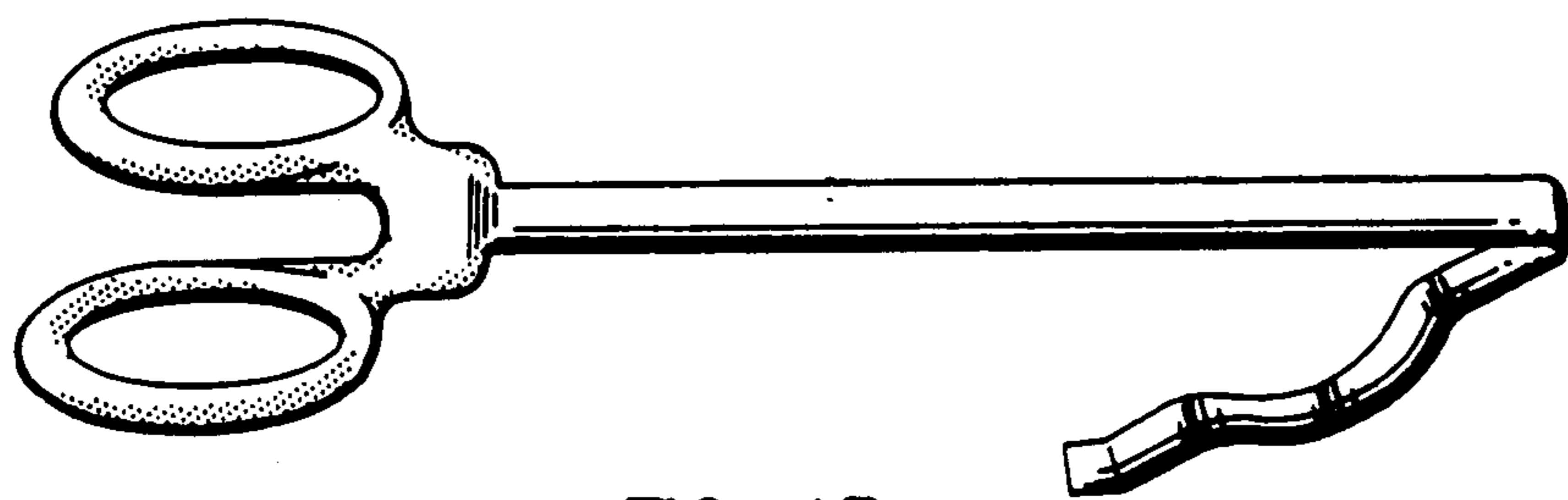
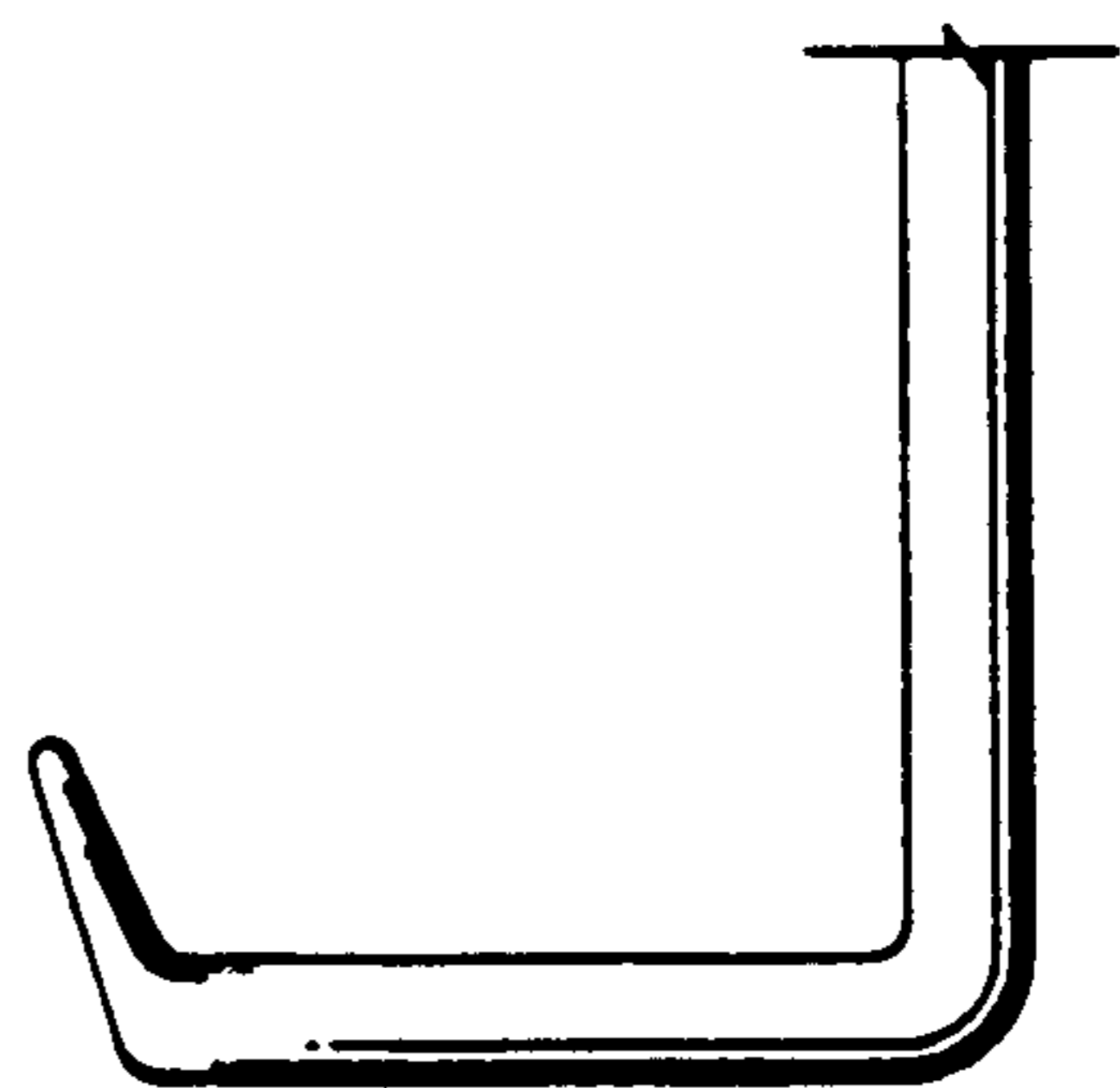
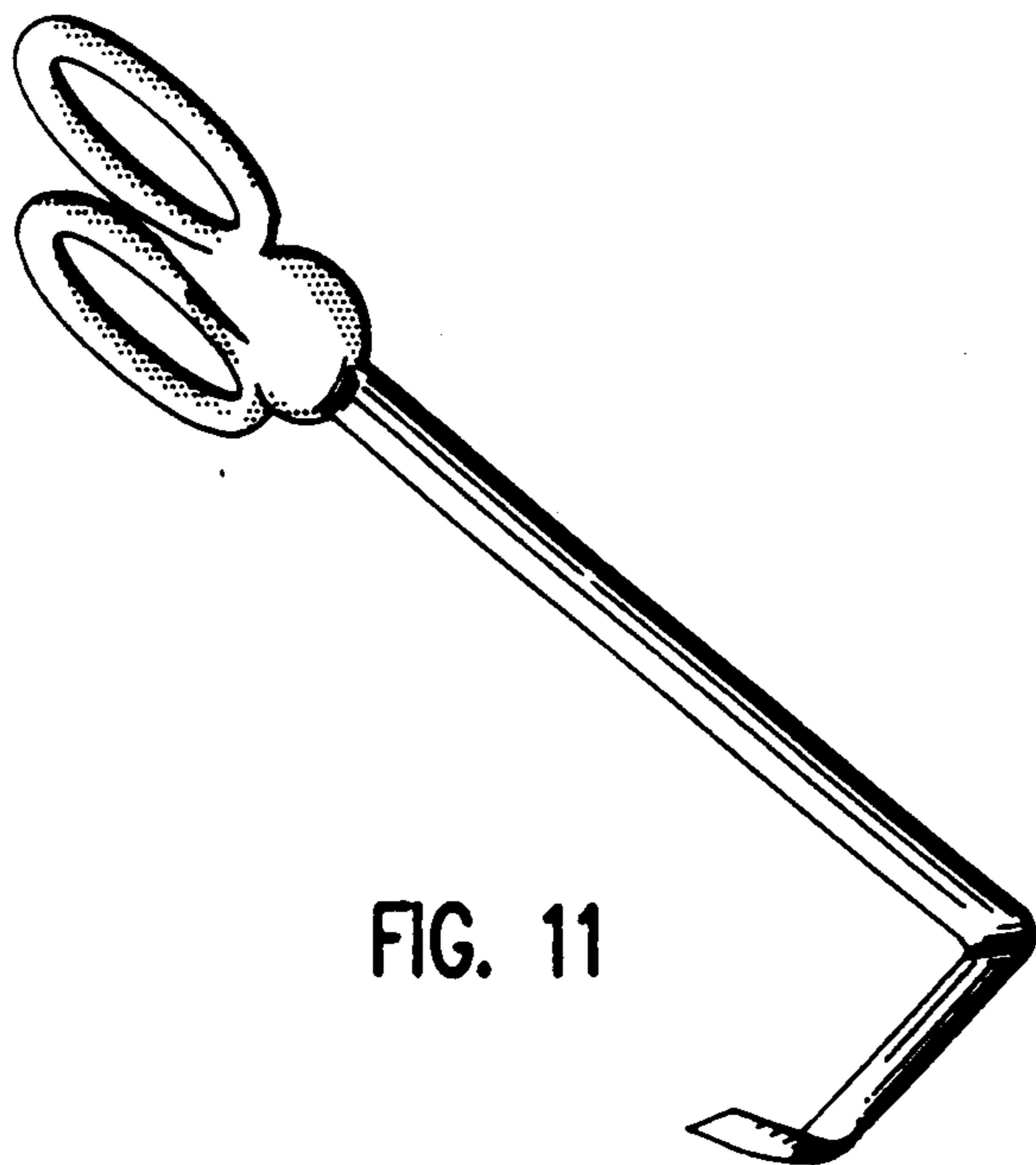


FIG. 9



FIG. 10



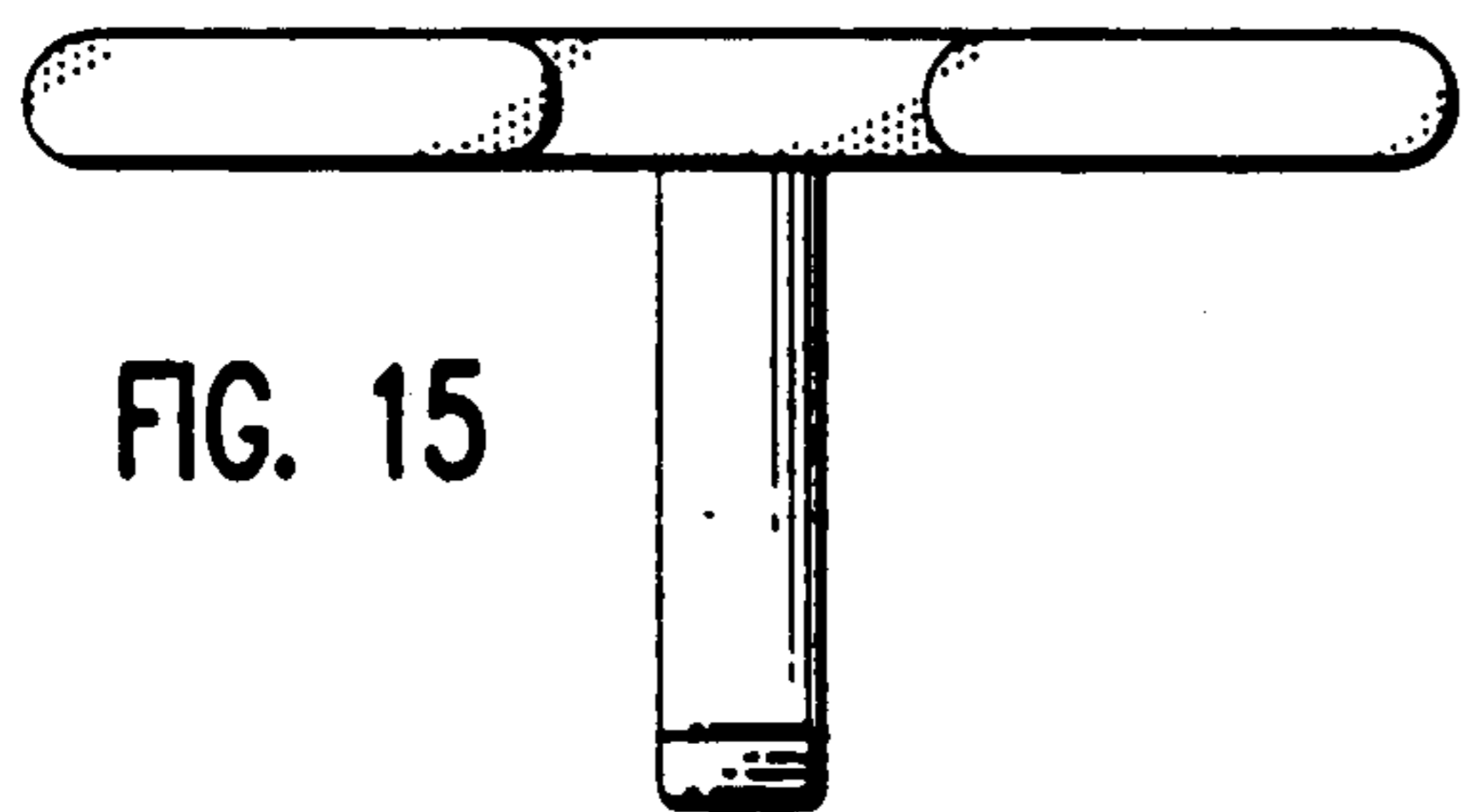


FIG. 15

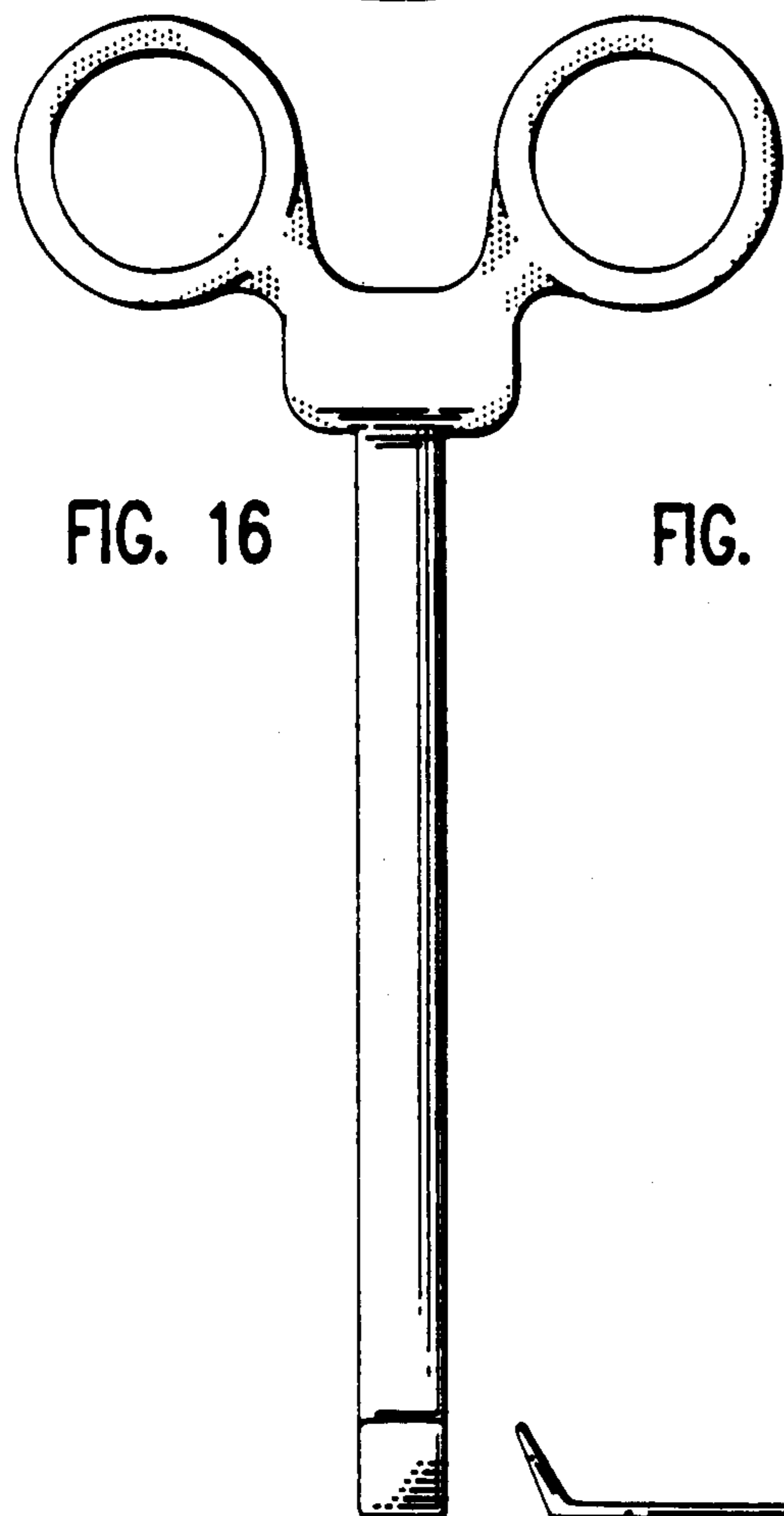


FIG. 16

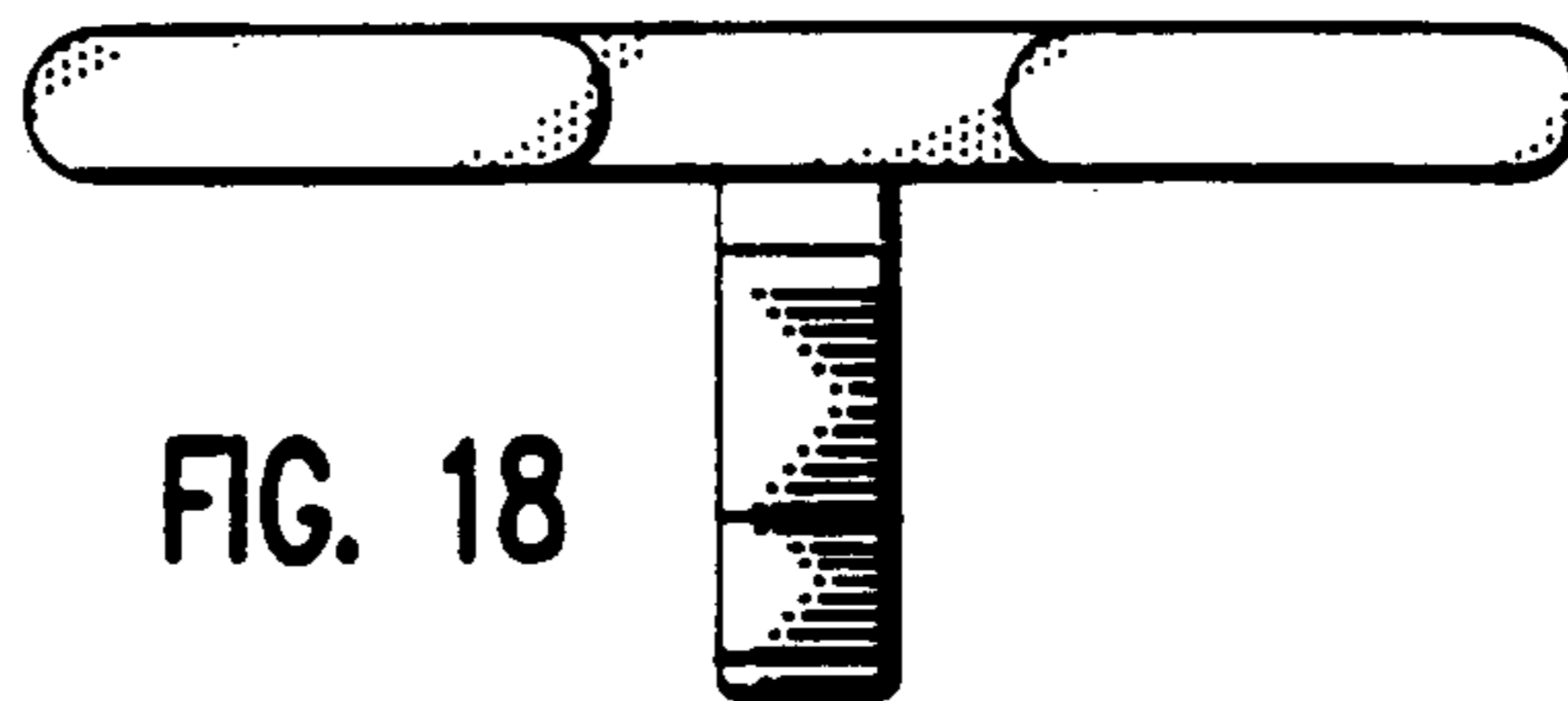


FIG. 18

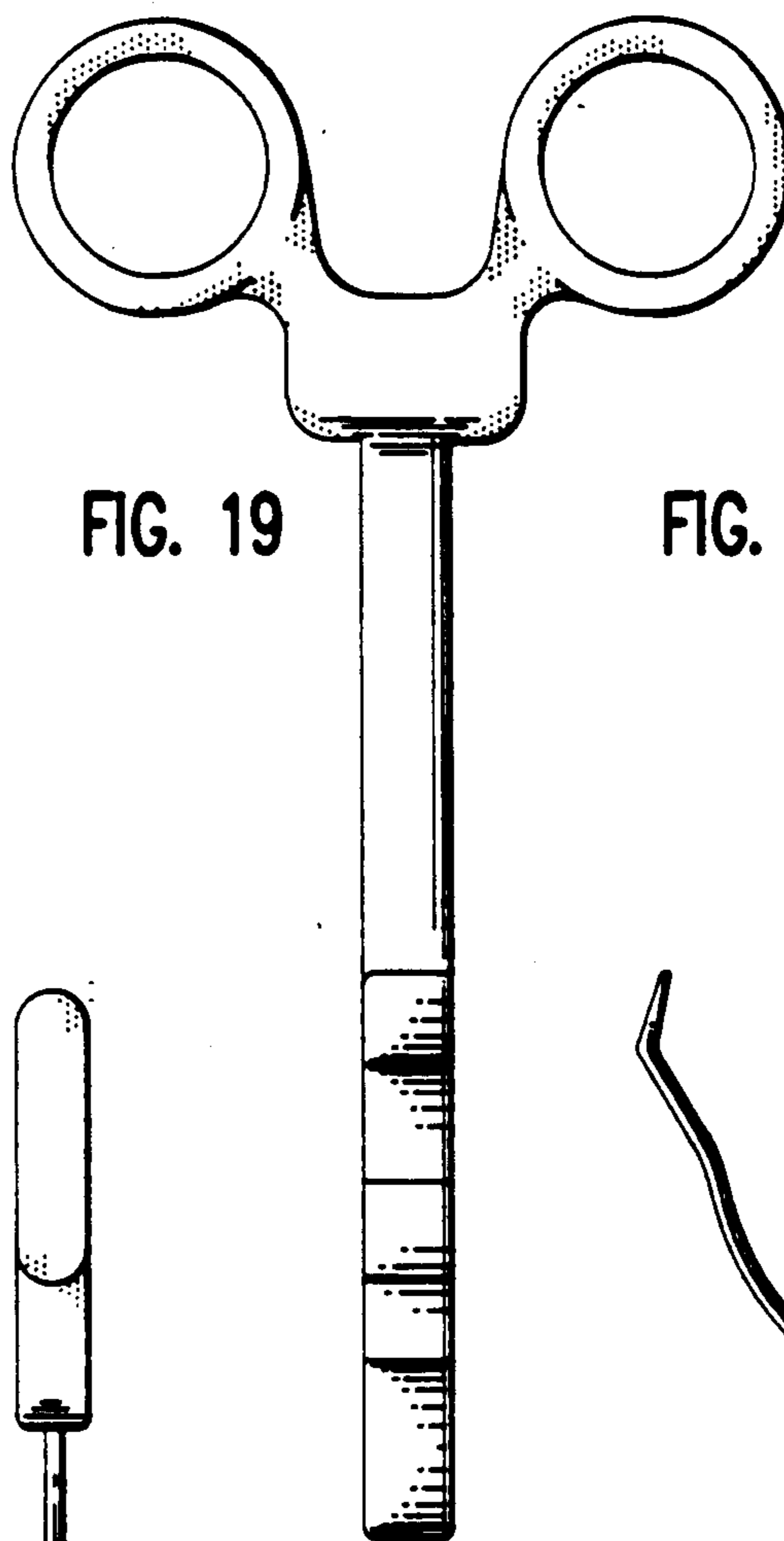


FIG. 19



FIG. 20

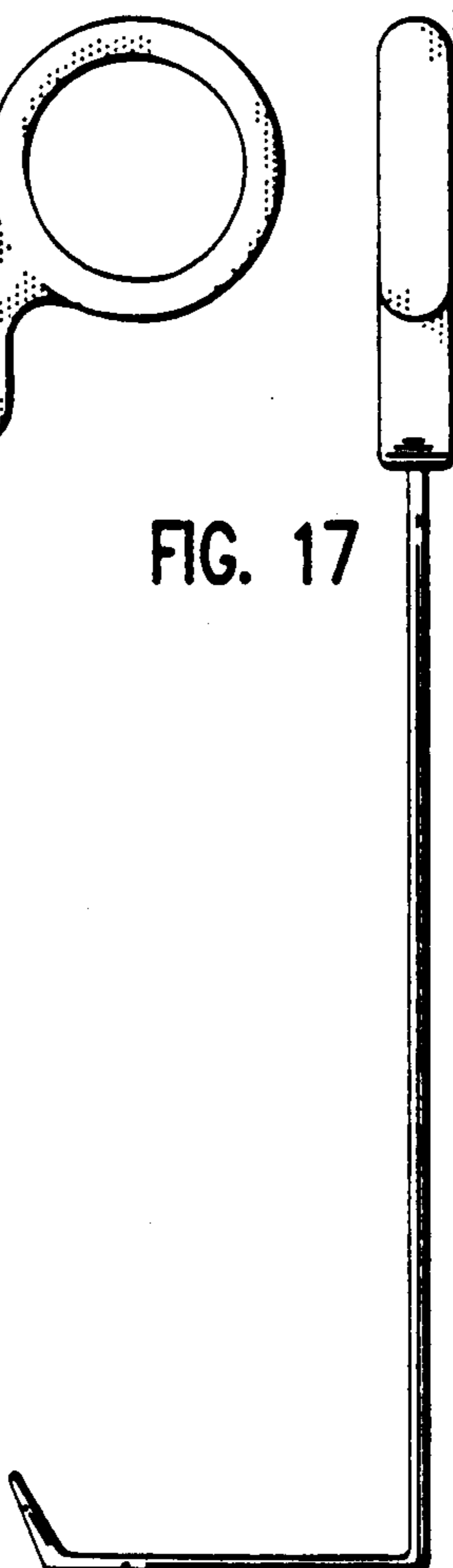


FIG. 17