

[54] CONNECTION SLEEVE FOR A DENTAL IMPLANT

[75] Inventor: Lars Jorneus, Gothenburg, Sweden

[73] Assignee: Nobelpharma AB, Gothenburg, Sweden

[**] Term: 14 Years

[21] Appl. No.: 344,843

[22] Filed: Apr. 28, 1989

[30] Foreign Application Priority Data

Nov. 1, 1988 [SE] Sweden 882474
 [52] U.S. Cl. D24/156
 [58] Field of Search D24/4, 5, 10-16;
 433/191-195, 168.1, 169, 172-176

[56] References Cited

U.S. PATENT DOCUMENTS

4,531,915	7/1985	Tatum, Jr.	433/173
4,547,156	10/1985	Hader	433/172
4,713,003	12/1987	Symington et al.	433/173
4,756,689	7/1988	Lundgren et al. .	
4,850,870	7/1989	Lazzara et al.	433/174
4,854,872	8/1989	Detch	433/174 X

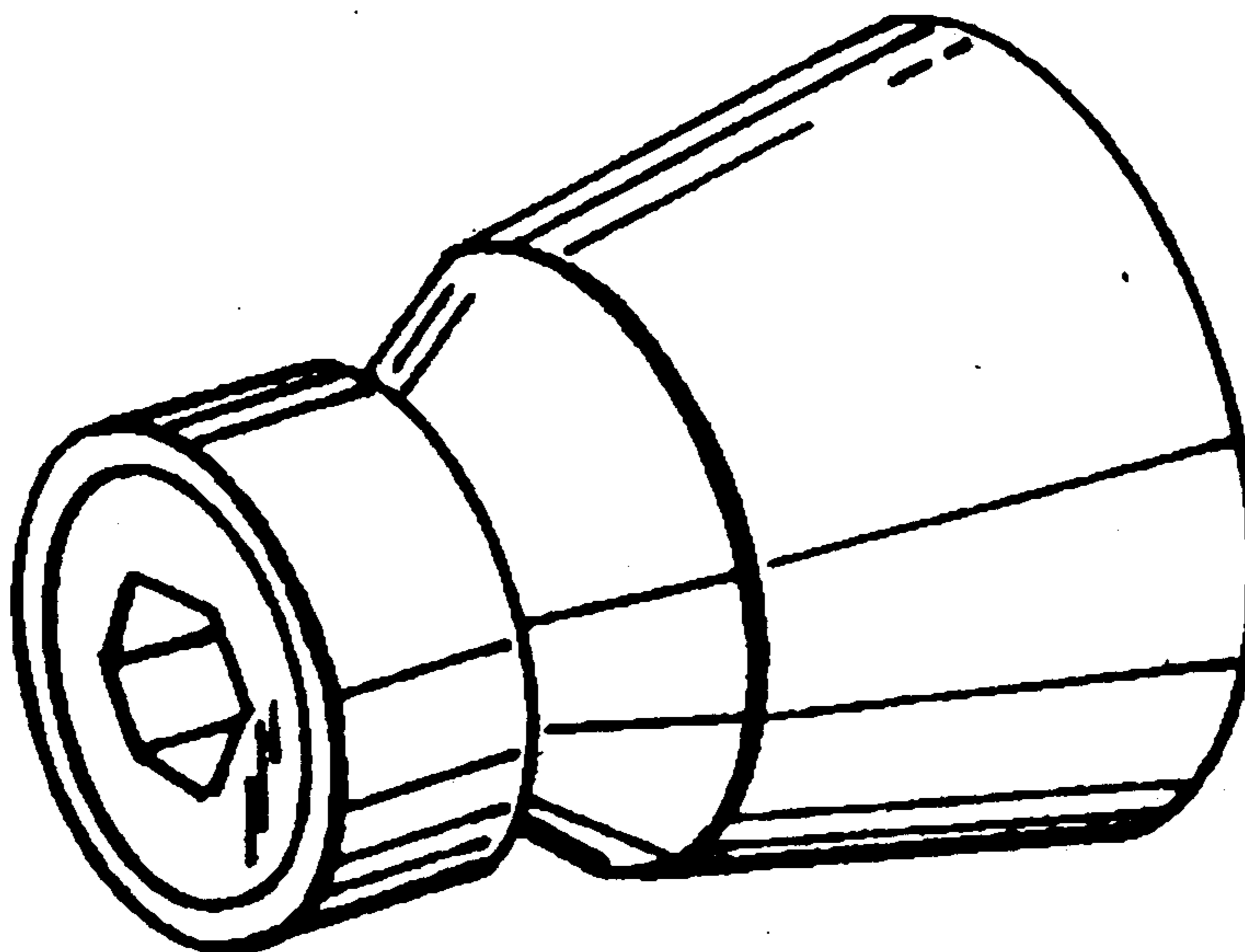
Primary Examiner—Susan J. Lucas
 Assistant Examiner—M. H. Tung
 Attorney, Agent, or Firm—Pollock, Vande Sande & Priddy

[57] CLAIM

The ornamental design for connection sleeve for a dental implant, as shown and described.

DESCRIPTION

FIG. 1 is a right end, side perspective view of a connection sleeve for a dental implant showing my new design;
 FIG. 2 is an exploded view thereof;
 FIG. 3 is a left end, side perspective view thereof.



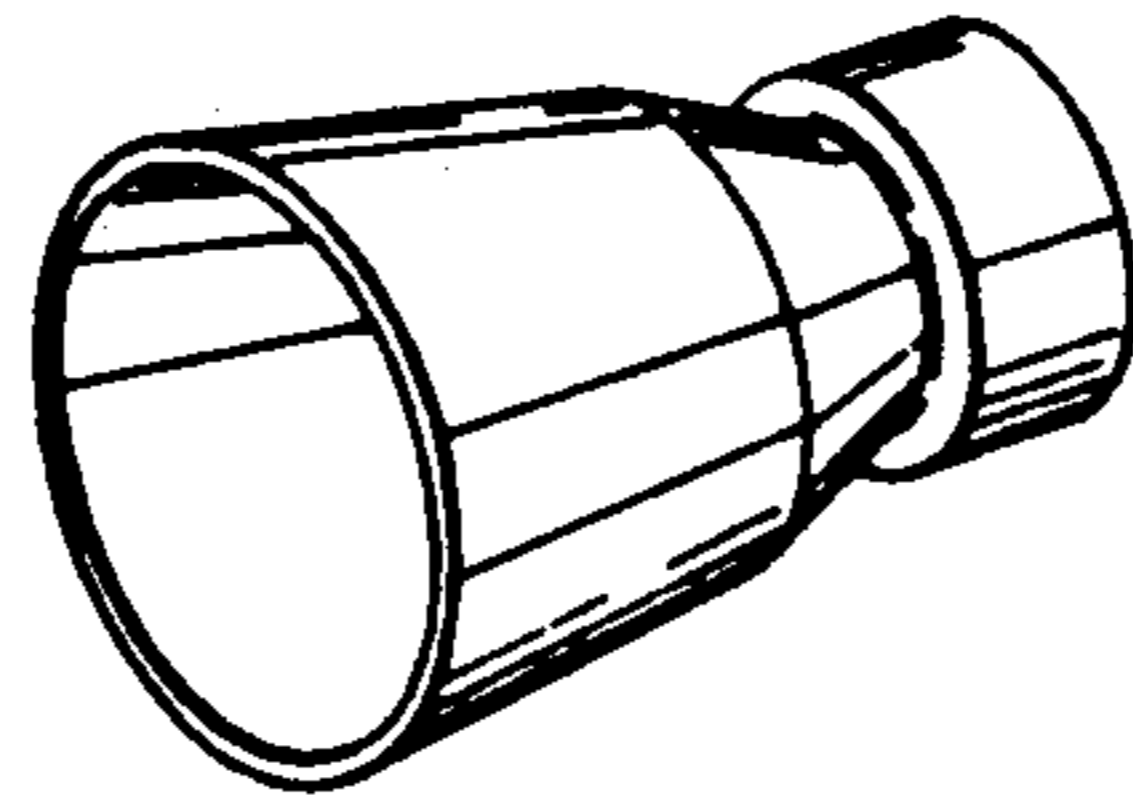


FIG. 1

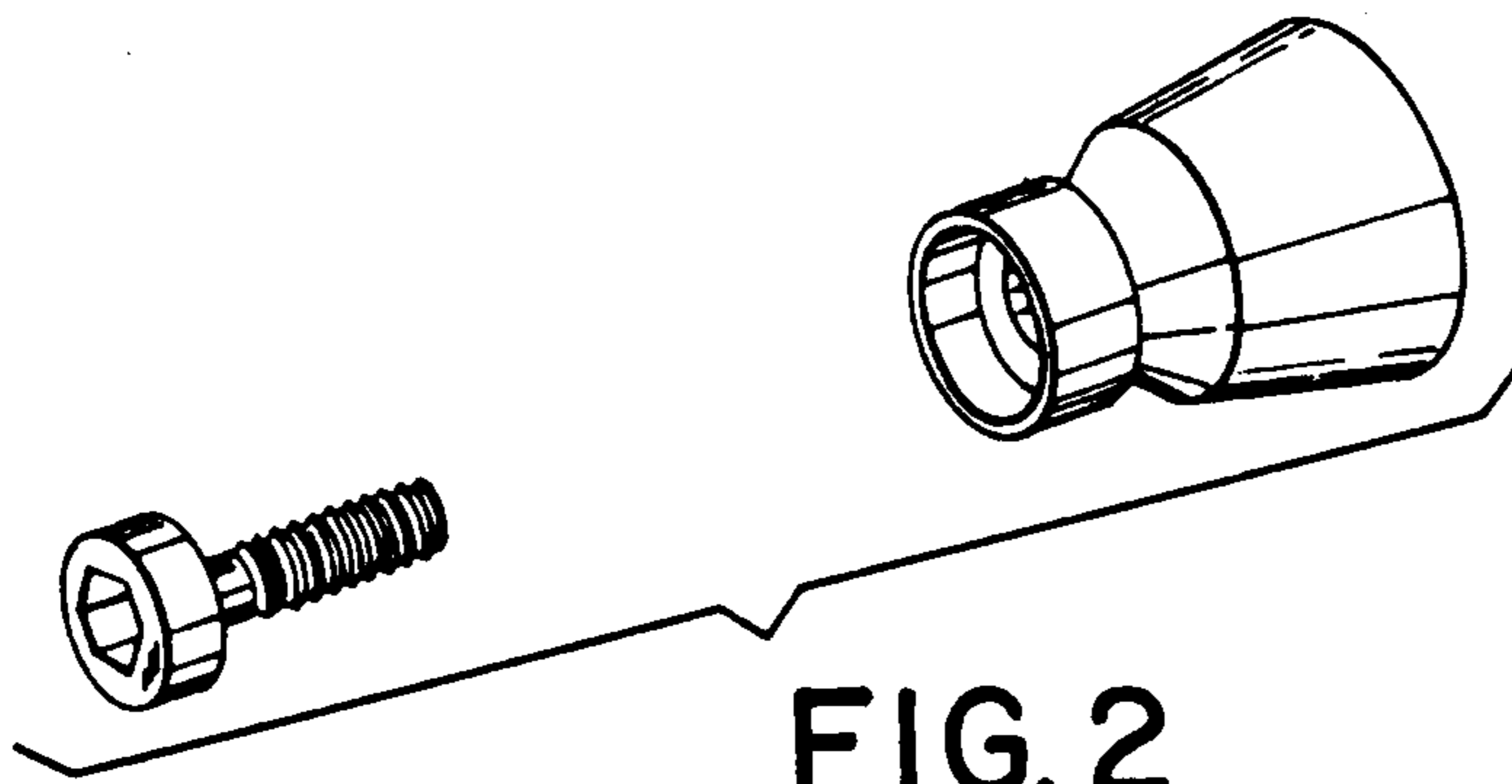


FIG. 2

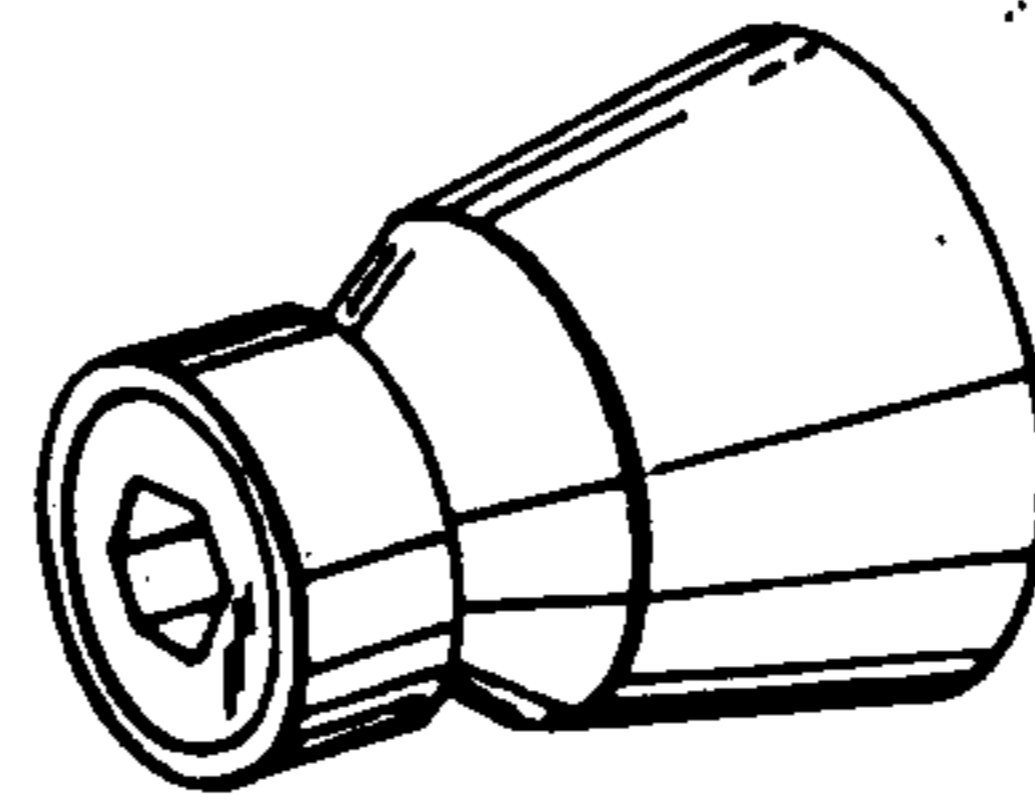


FIG. 3