

[54] **ICE FISHING TIP-UP SIGNAL**
 [75] **Inventor: Ronald L. Hackel, Abbotsford, Wis.**
 [73] **Assignee: Diversified Enterprises of America, Inc., Abbotsford, Wis.**
 [**] **Term: 14 Years**
 [21] **Appl. No.: 231,974**
 [22] **Filed: Aug. 15, 1988**
 [52] **U.S. Cl. D22/134; D22/139**
 [58] **Field of Search D22/148, 136, 134; 248/520, 529, 538; 43/21.2, 19.2, 15, 17**

3,698,117 10/1972 Wiltse 43/17
 3,745,689 7/1973 Williams 43/17
 4,253,262 3/1981 Johnson 43/17
 4,779,371 10/1988 Braud 43/19.2
 4,945,668 8/1990 Keller 43/17

Primary Examiner—A. Hugo Word
Assistant Examiner—Doris V. Coles
Attorney, Agent, or Firm—Andrus, Scales, Starke & Sawall

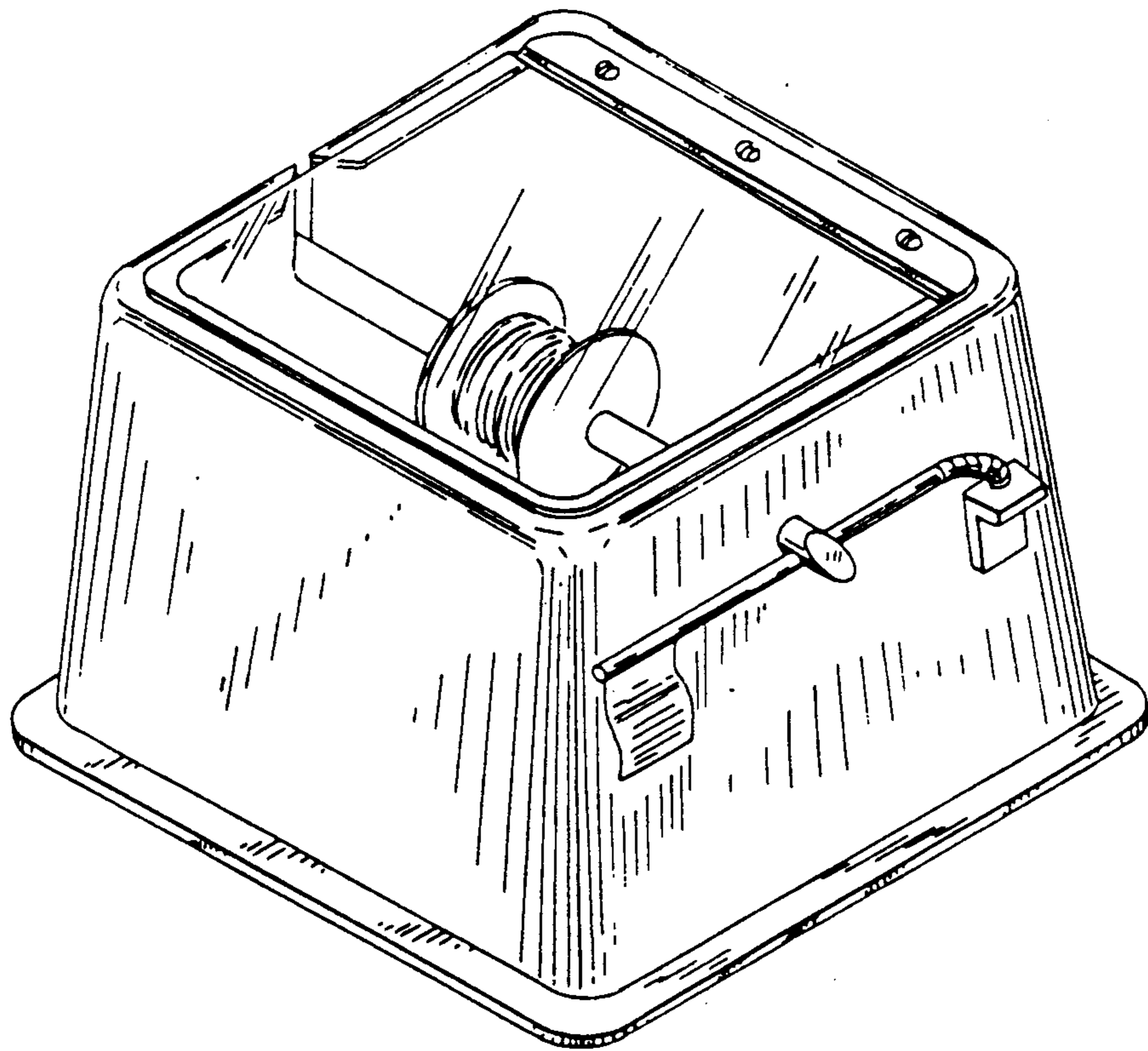
[56] **References Cited**
U.S. PATENT DOCUMENTS

D. 196,888 11/1963 Pilsner D22/134
 D. 282,273 1/1986 Eli D22/136
 188,503 3/1877 Davis 43/17
 2,618,091 11/1952 Sheraski 43/17
 2,720,719 10/1955 Stancheck et al. 43/17
 3,423,867 1/1969 Bartletti 43/17

[57] **CLAIM**
 The ornamental design for an ice fishing tip-up signal, as shown and described.

DESCRIPTION

FIG. 1 is a perspective view of an ice fishing tip-up signal showing my new design;
 FIG. 2 is a front elevational view thereof;
 FIG. 3 is a side elevational view thereof;
 FIG. 4 is a side elevational view thereof of the side opposite that shown in FIG. 3;
 FIG. 5 is a top plan view thereof; and
 FIG. 6 is a rear elevational view thereof.



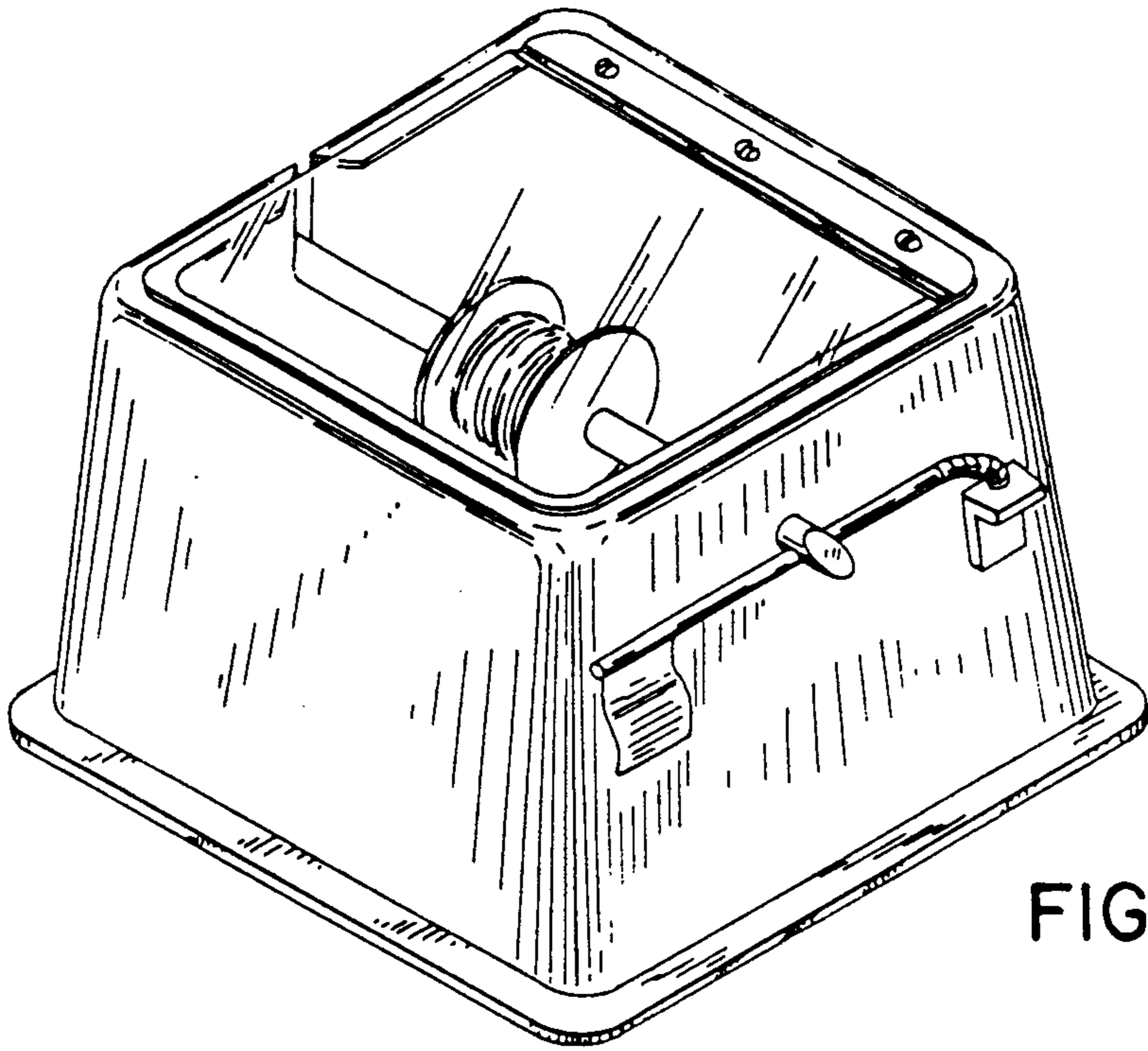


FIG. 1

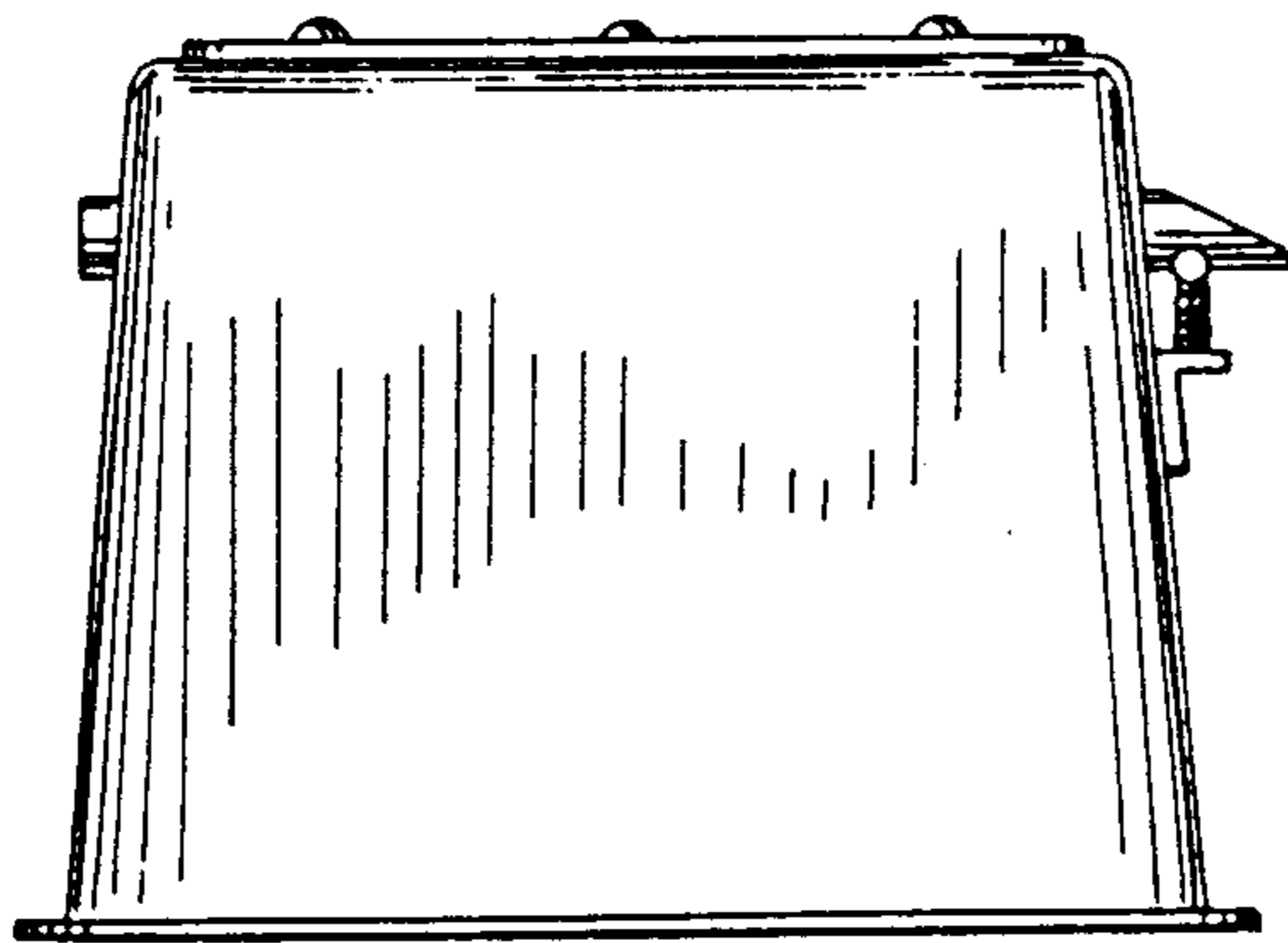


FIG. 2

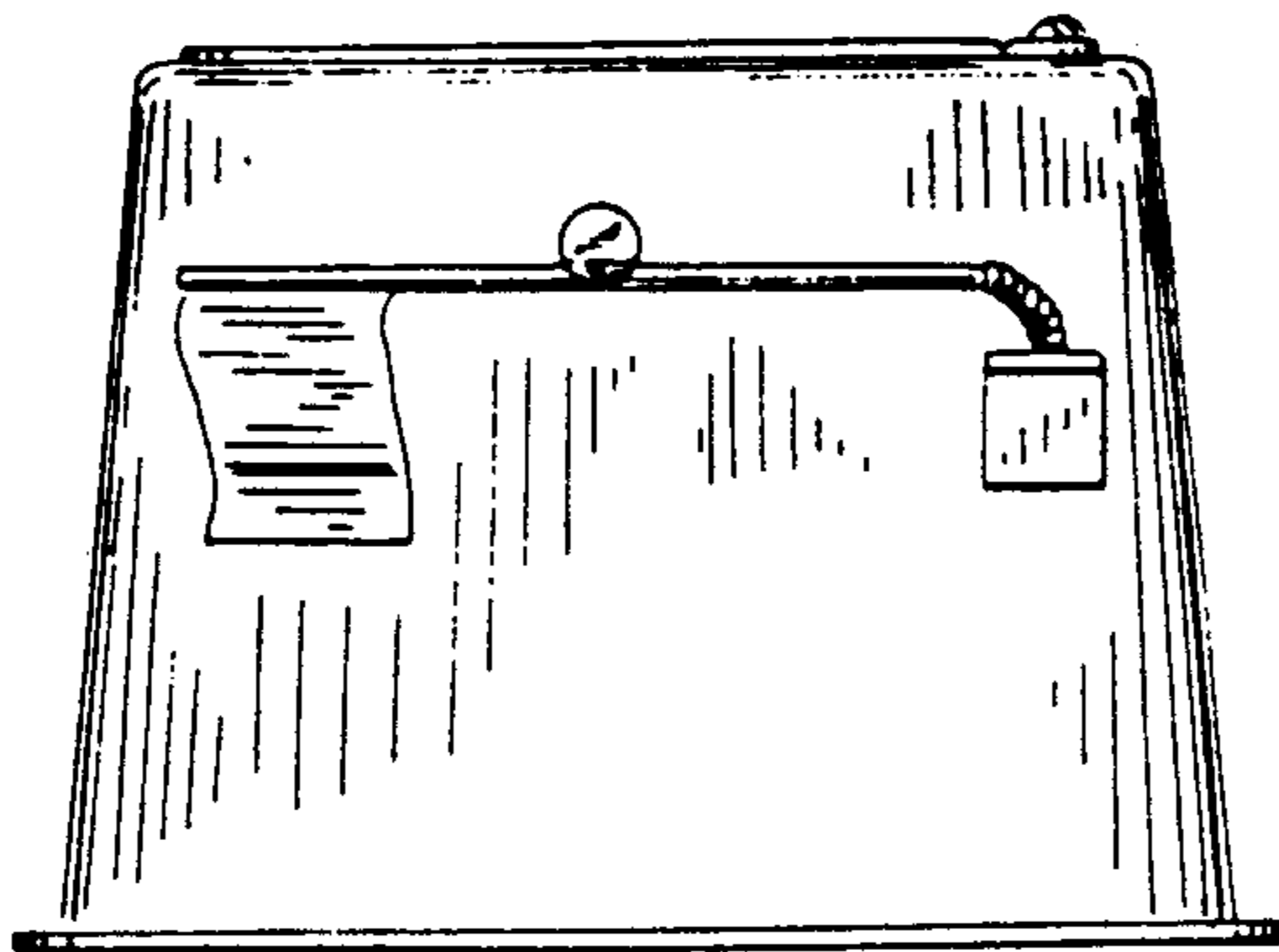


FIG. 3

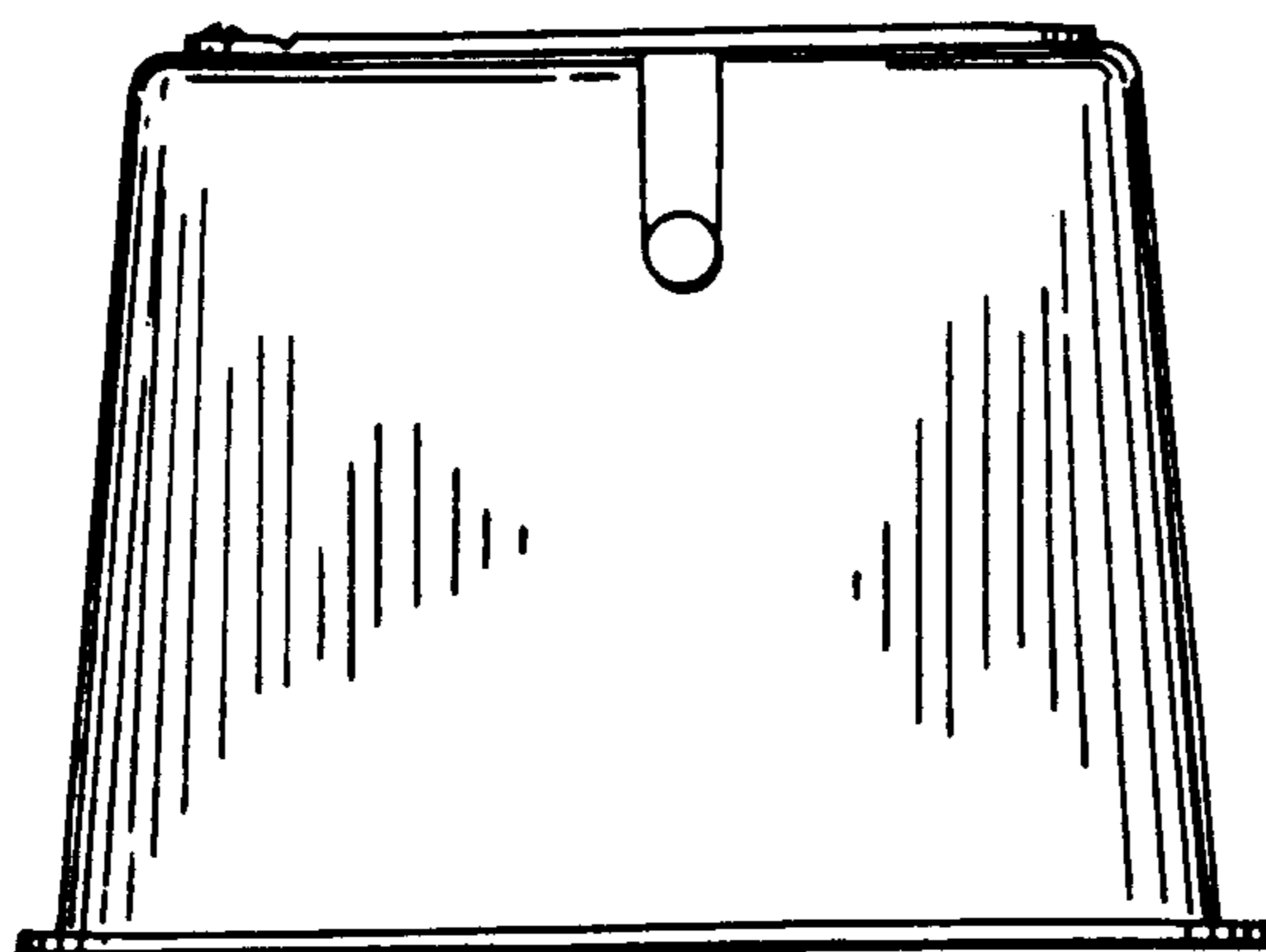


FIG. 4

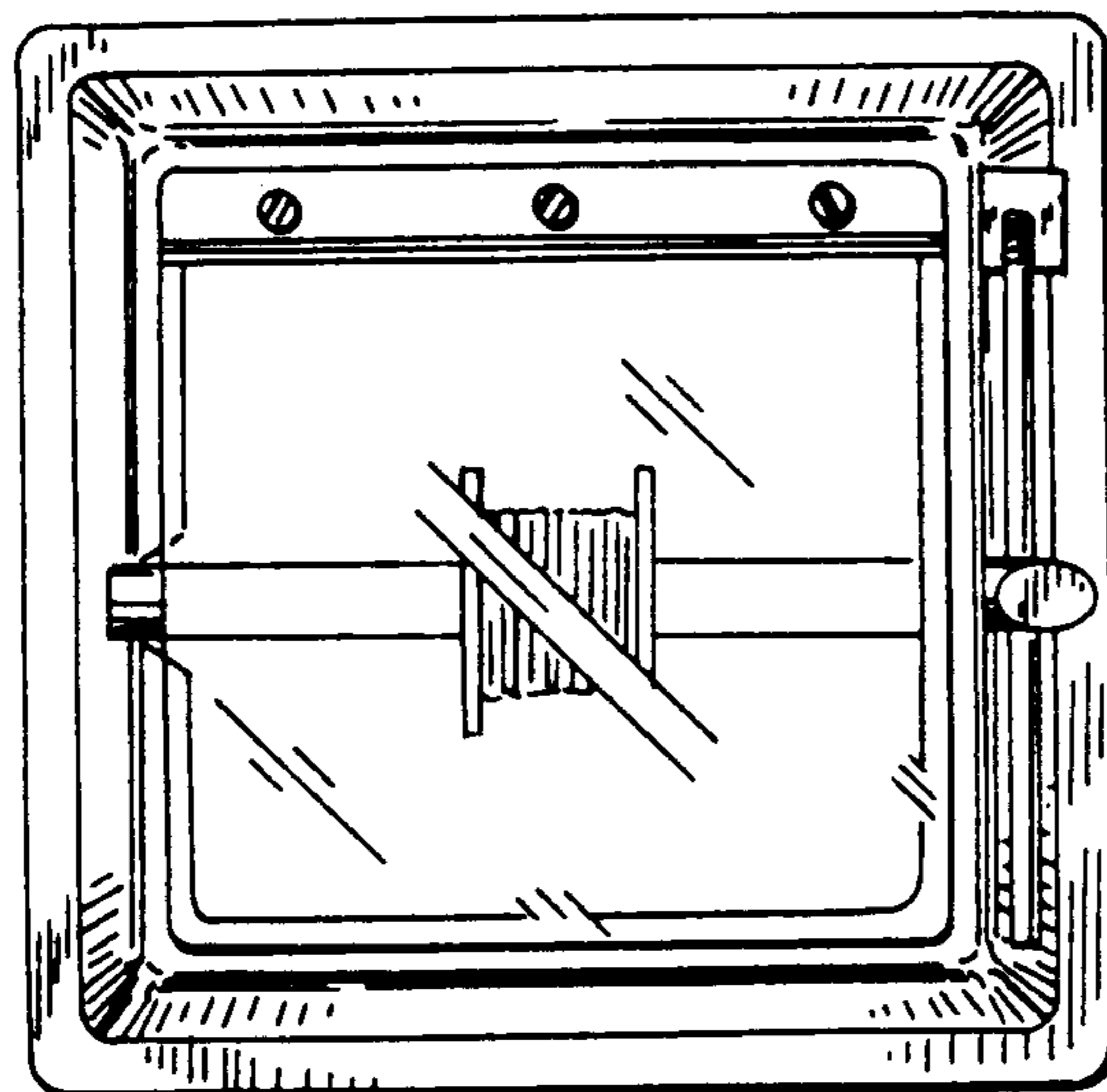


FIG. 5

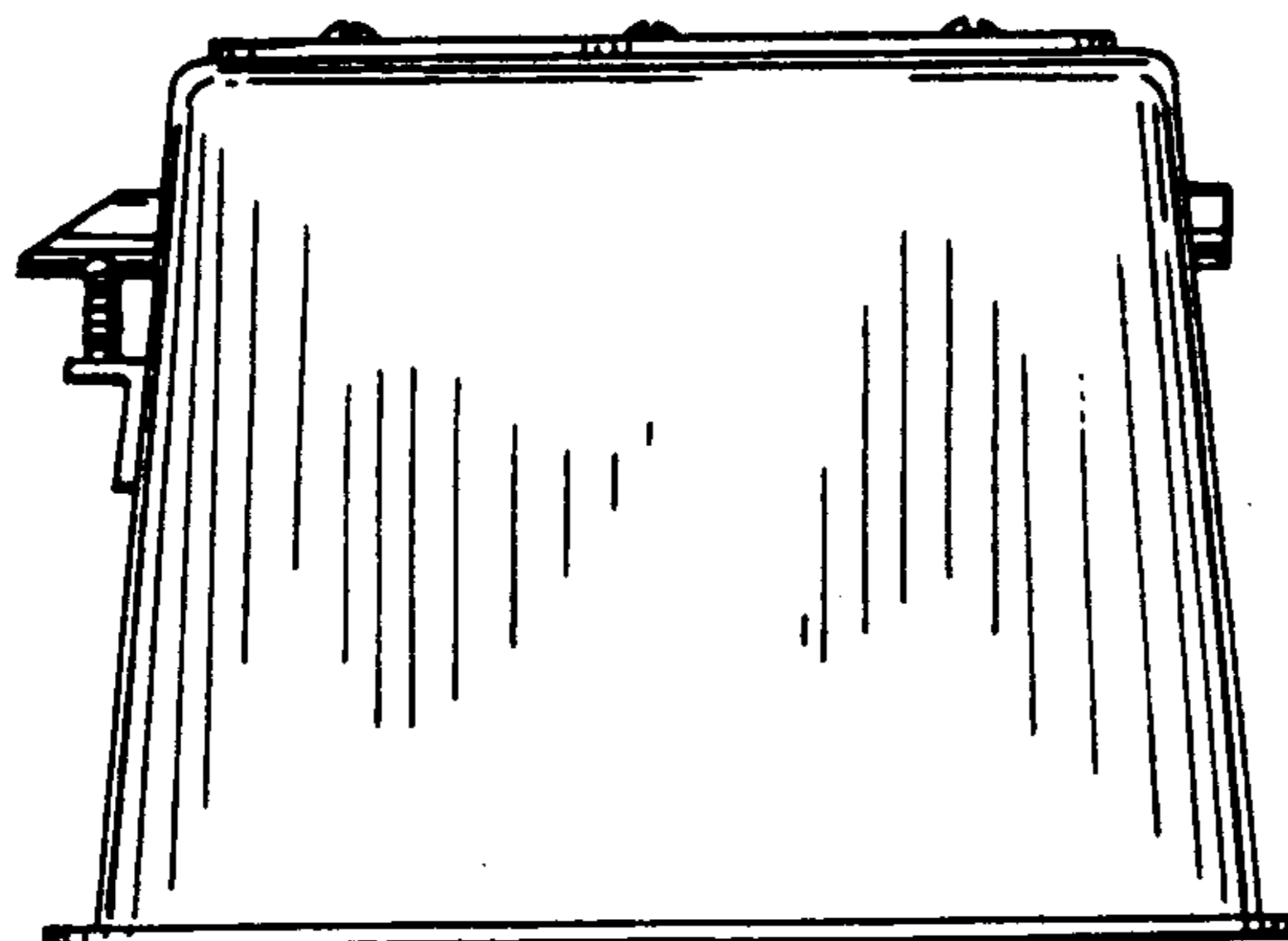


FIG. 6