

[54] CROQUET MALLET HEAD

[76] Inventor: Garth Eliassen, P.O. Box 5, Sonoma, Calif. 95476

[**] Term: 14 Years

[21] Appl. No.: 938,120

[22] Filed: Dec. 4, 1986

[52] U.S. Cl. D21/211

[58] Field of Search D21/210, 211, 218; 273/26 B, 67 R, 67 C, 56, 167 C

[56] References Cited

U.S. PATENT DOCUMENTS

280,807 7/1883 Farley 273/56
1,026,581 5/1912 Hayes 273/67 C

FOREIGN PATENT DOCUMENTS

436753 10/1935 United Kingdom 273/67 C

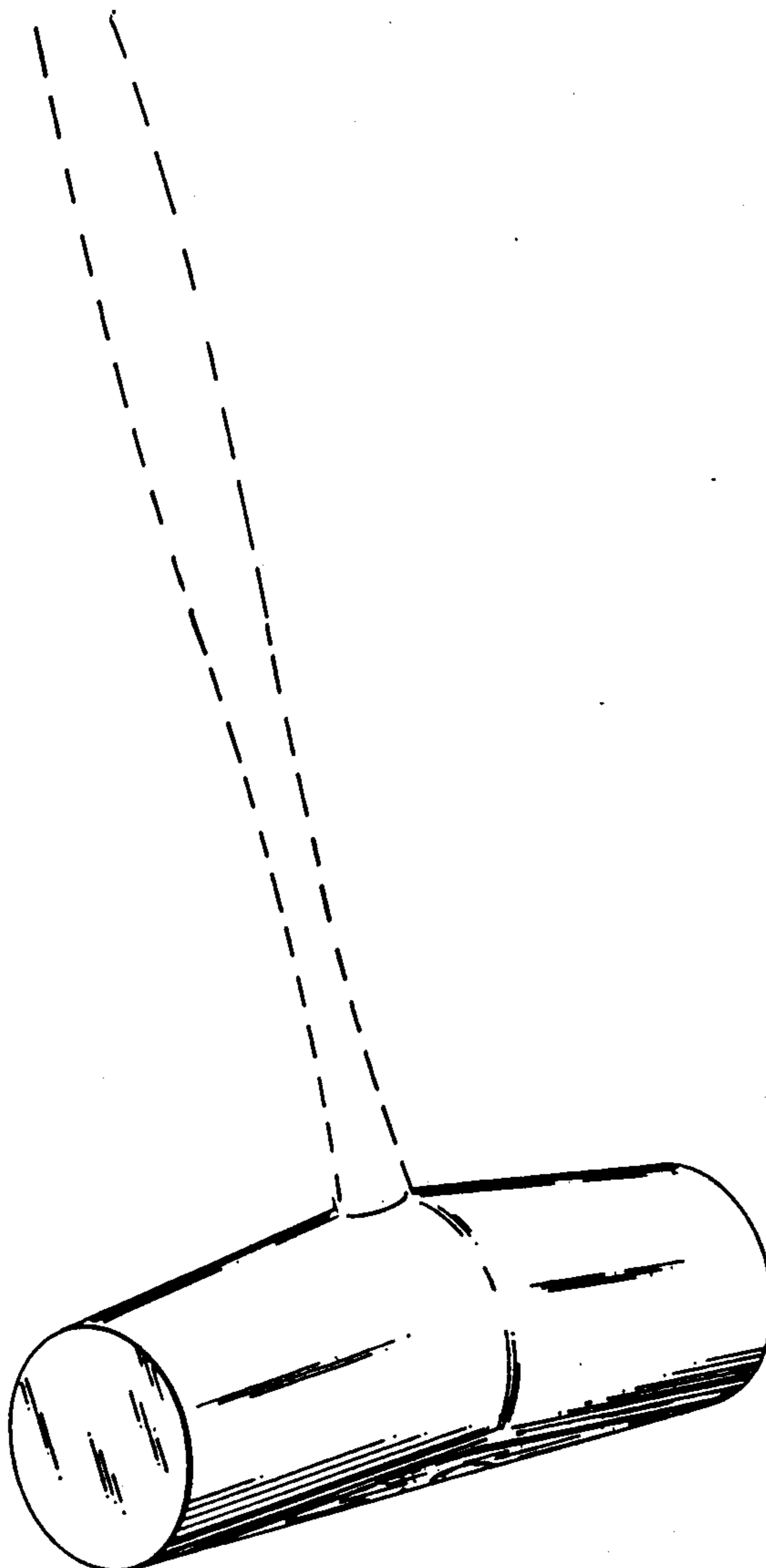
Primary Examiner—Louis S. Zarfes
Assistant Examiner—W. Krawczewicz
Attorney, Agent, or Firm—Owen, Wickersham & Erickson

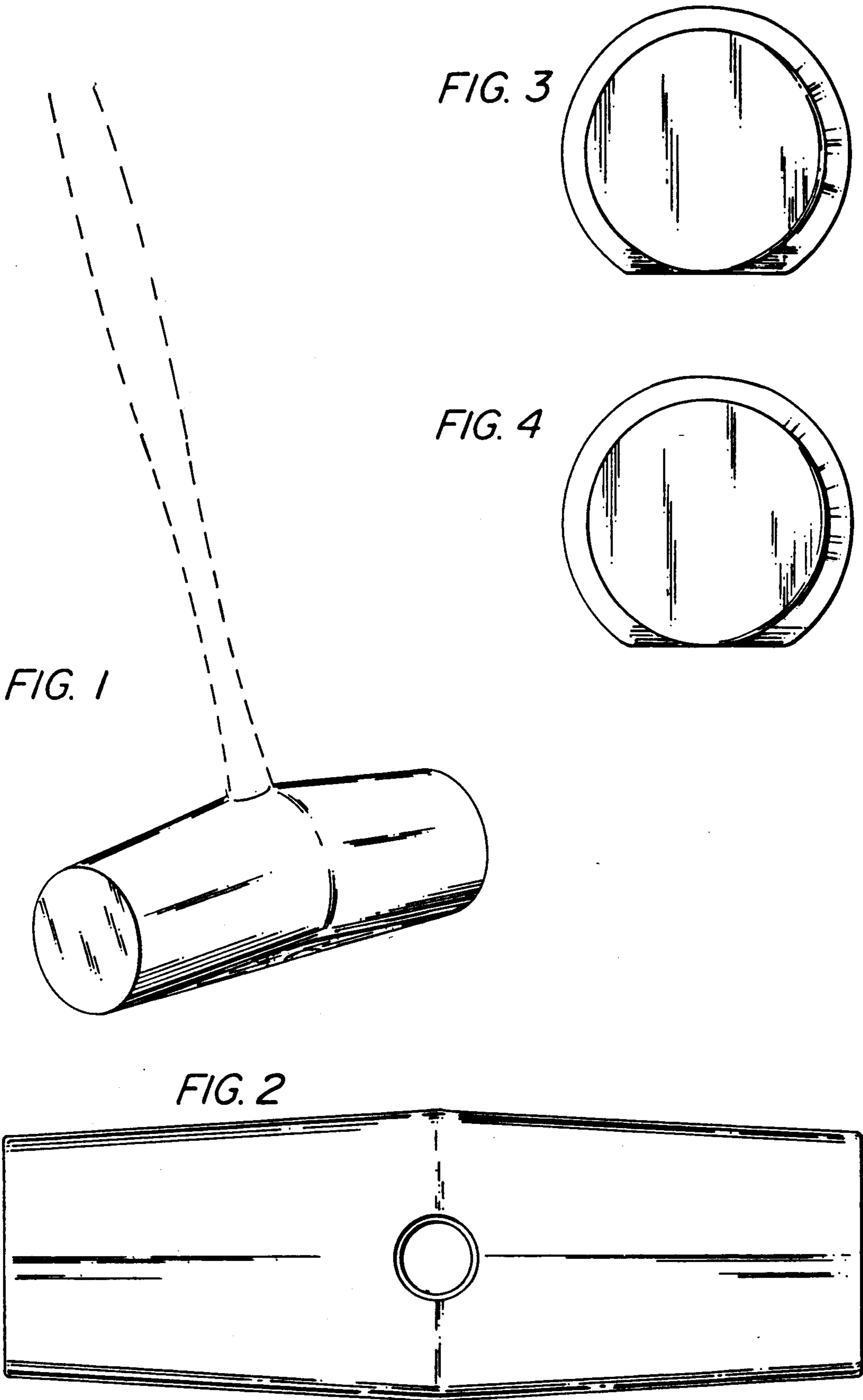
[57] CLAIM

The ornamental design for a croquet mallet head, as shown and described.

DESCRIPTION

FIG. 1 is a perspective view of a croquet mallet head showing my new design, the handle is shown in broken lines for illustrative purposes only and forms no part of the claimed design;
FIG. 2 is a top plan view;
FIG. 3 is an end elevational view;
FIG. 4 is another end elevational view;
FIG. 5 is a right side elevational view;
FIG. 6 is a left side elevational view; and
FIG. 7 is a bottom plan view.





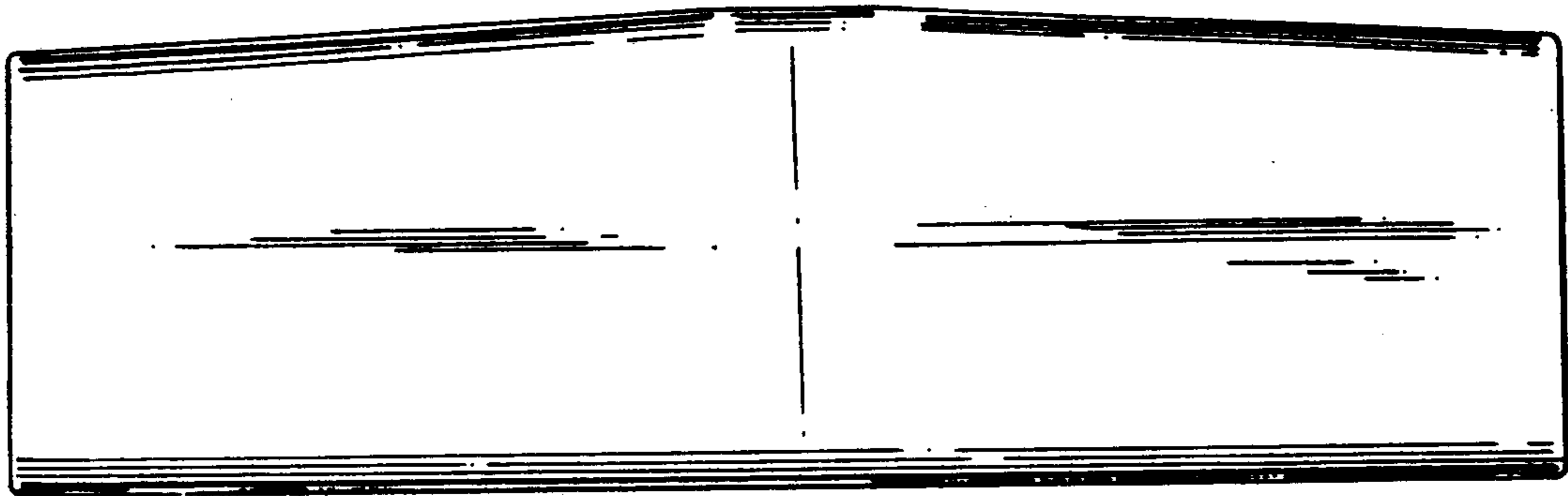


FIG. 5

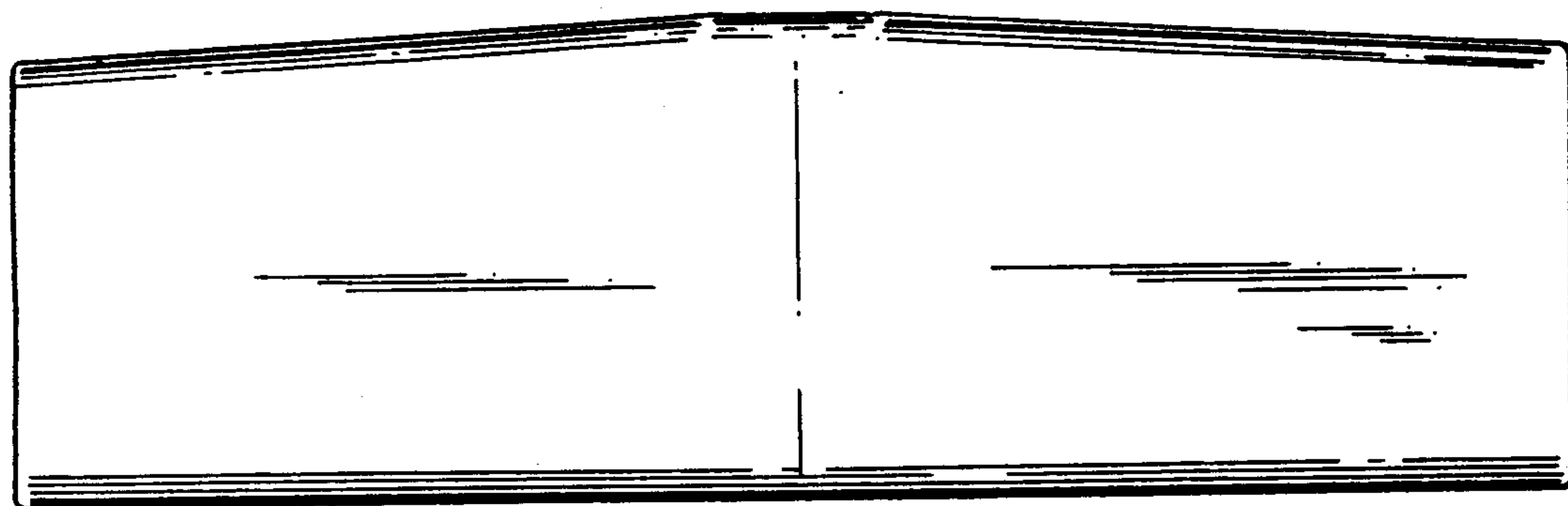


FIG. 6

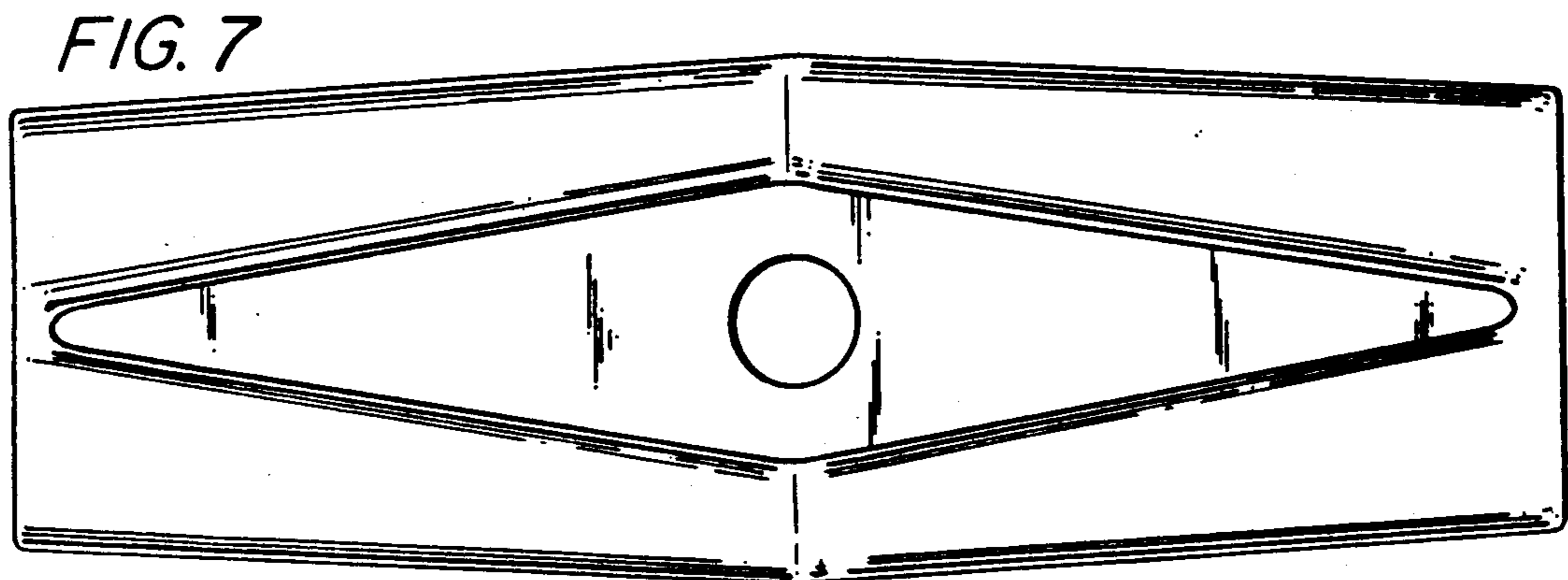


FIG. 7