

[54] BAGGAGE TAG

[75] Inventor: Hideaki Nozawa, Tokyo, Japan

[73] Assignee: Shiroh Shirakawa, Tokyo, Japan

[**] Term: 14 Years

[21] Appl. No.: 200,499

[22] Filed: May 31, 1988

[52] U.S. Cl. D20/22

[58] Field of Search D20/22, 23, 27, 29, D20/43; 40/5, 6, 27, 664, 662, 661

[56] References Cited

U.S. PATENT DOCUMENTS

D. 233,274	10/1974	Klitgner	D20/27
D. 297,247	8/1988	Barr	D20/22
262,696	8/1882	Russell	40/6
263,600	8/1882	Searing	D20/22
268,591	12/1882	Abbott	40/6
281,733	7/1883	Sears	40/6

Primary Examiner—Wallace R. Burke

Assistant Examiner—Marcus Jackson

Attorney, Agent, or Firm—Armstrong, Nikaido, Marmelstein, Kubovcik & Murray

[57] CLAIM

The ornamental design for a baggage tag, as shown and described.

DESCRIPTION

FIG. 1 is a front elevational view of a baggage tag showing my new design;

FIG. 2 is a rear elevational view thereof;

FIG. 3 is a right side elevational view, with the opposite side being a mirror image thereof;

FIG. 4 is an enlarged fragmentary sectional view taken on line 4—4 of FIG. 1 thereof;

FIG. 5 is an enlarged side elevational view thereof taken from the element 5 portion of FIG. 3;

FIG. 6 is an enlarged fragmentary sectional view taken on line 6—6 of FIG. 1 thereof;

FIG. 7 is an enlarged fragmentary sectional view taken on line 7—7 of FIG. 1 thereof;

FIG. 8 is an enlarged front perspective view, with the strap broken away for ease of illustration;

FIG. 9 is an enlarged rear perspective view, with the strap broken away for ease of illustration.

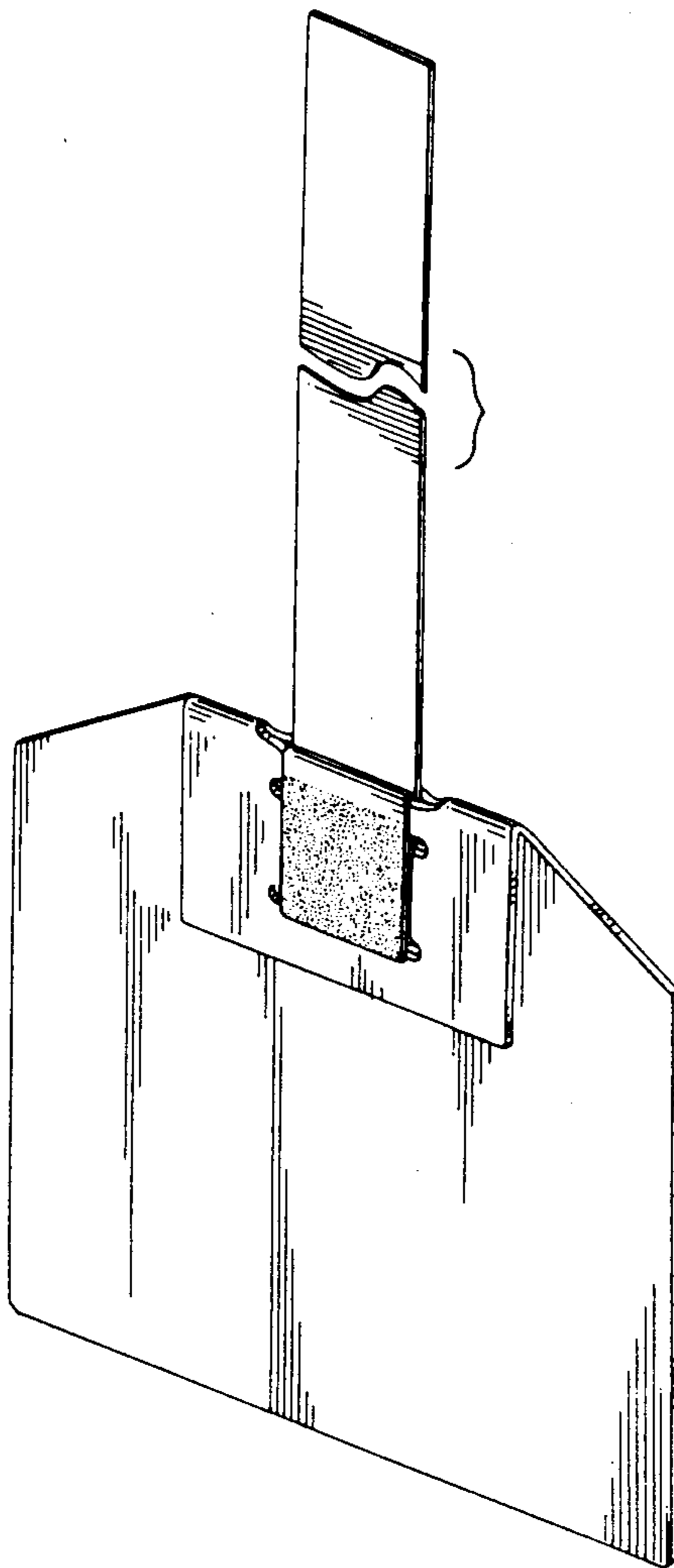


FIG. 1

FIG. 2

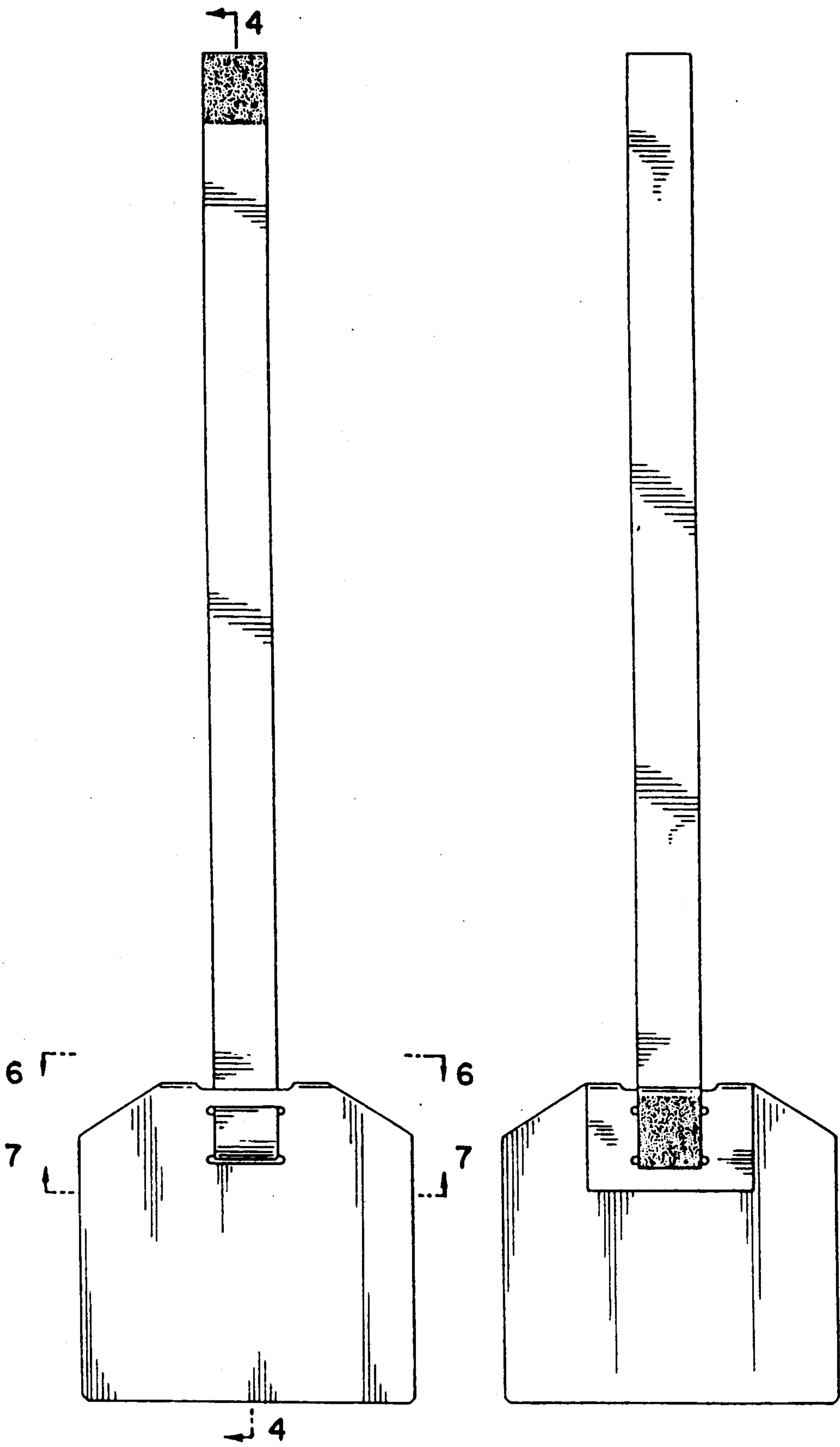


FIG. 3

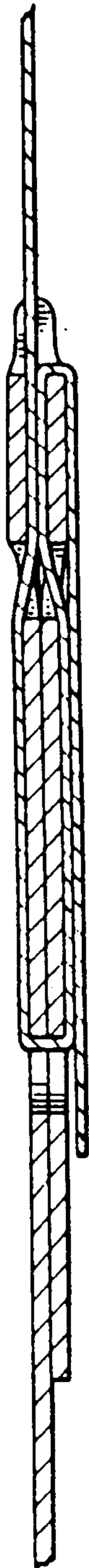


FIG. 4



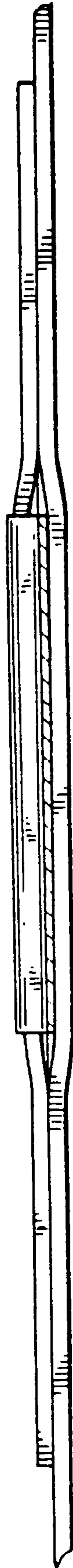


FIG. 5



FIG. 6

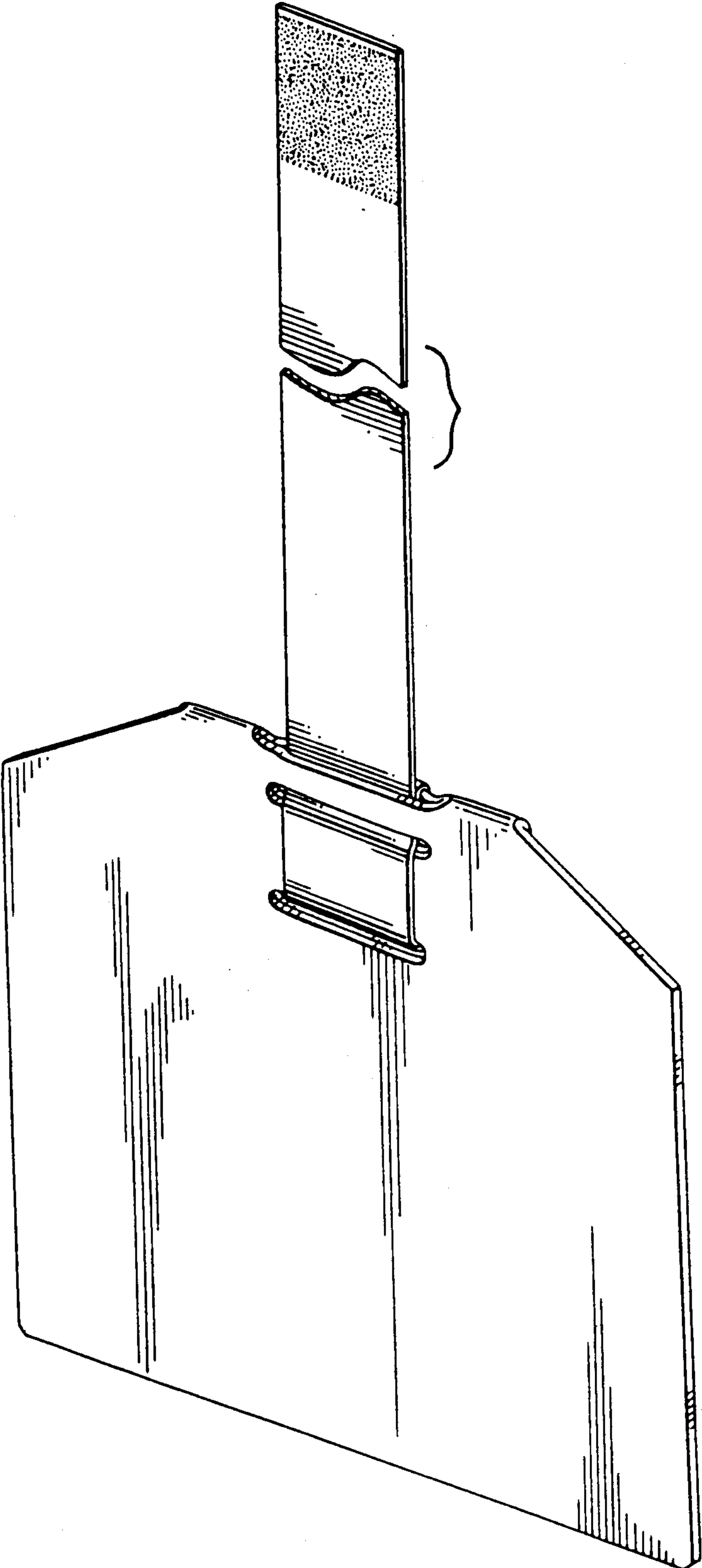


FIG. 7

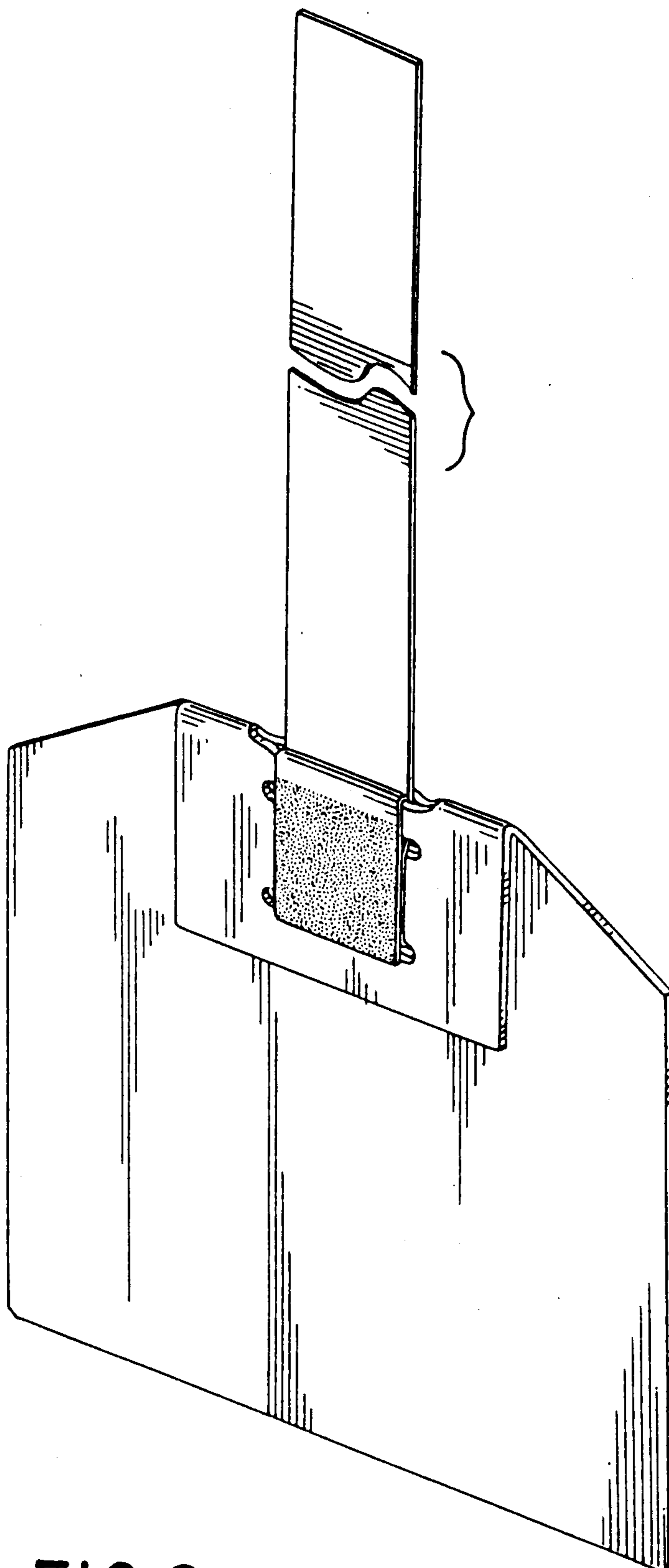


FIG. 8

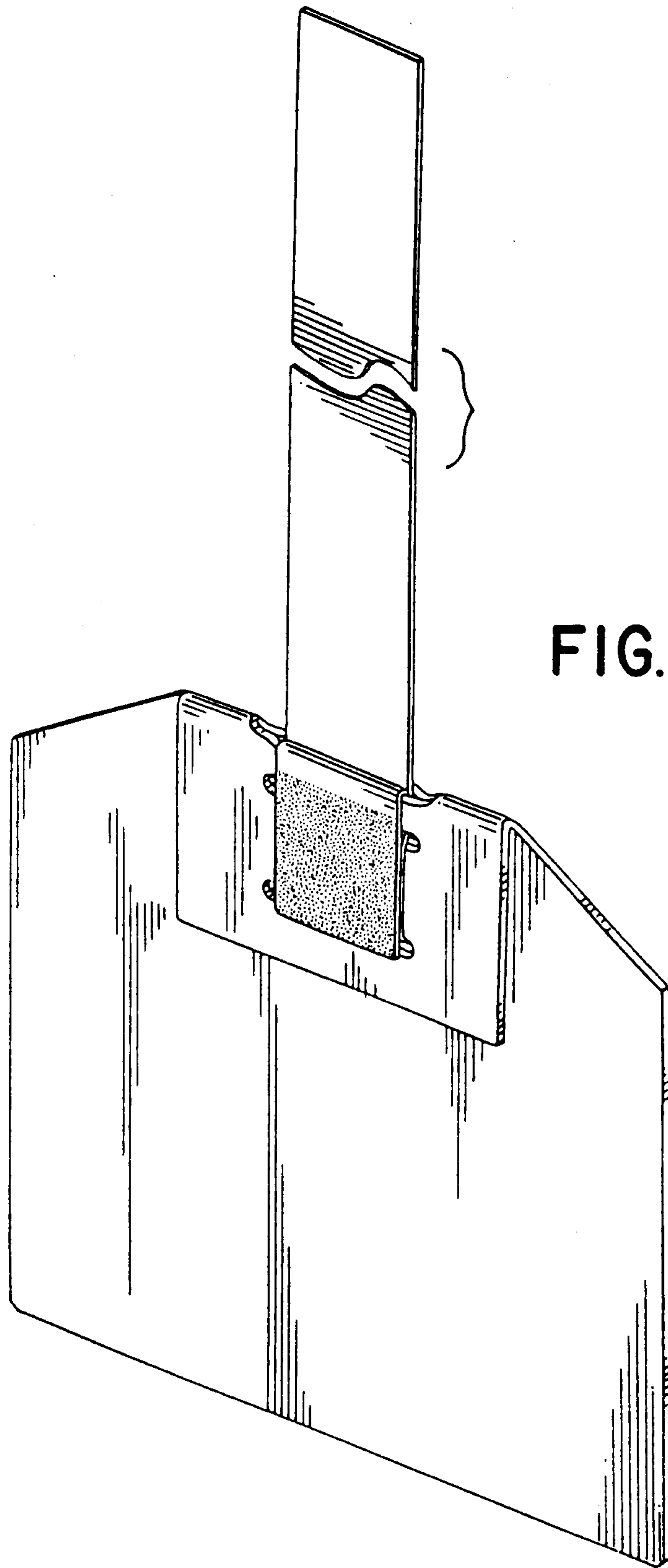


FIG. 9