

[54] DESK ORGANIZER

[75] Inventor: Heng G. Kheng, Singapore, Singapore

[73] Assignee: Metro Plastic Industry Pte., Ltd. Singapore, Singapore

[\*\*] Term: 14 Years

[21] Appl. No.: 201,619

[22] Filed: Jun. 2, 1988

[52] U.S. Cl. .... D19/75; D19/77; D19/78; D19/85; D19/95

[58] Field of Search ..... D19/35, 65, 75, 77, D19/78, 81, 83, 84, 85, 86, 90, 91, 95, 99, 100; 206/214, 371; D7/631, 11, 45; 211/69.1, 69.2

[56] References Cited

U.S. PATENT DOCUMENTS

- D. 129,724 9/1941 Gardner ..... D19/78
- D. 155,124 9/1949 Carver ..... D19/78 X
- D. 200,453 2/1965 Rosner ..... D19/78 X
- D. 201,716 7/1965 Franklin ..... D19/35

- D. 222,400 10/1971 Barnes ..... D19/78 X
- D. 239,762 5/1976 Barden et al. .... D7/631
- D. 261,583 11/1981 Labasan ..... D19/85 X
- D. 290,852 7/1987 Wang ..... D19/75
- D. 303,813 10/1989 Foran et al. .... D19/77
- D. 304,842 11/1989 Barone et al. .... D19/75
- D. 305,246 12/1989 Kirchhoff et al. .... D19/75

Primary Examiner—Bruce W. Dunkins  
Assistant Examiner—Martha Thompson  
Attorney, Agent, or Firm—Lee W. Tower

[57] CLAIM

The ornamental design for a desk organizer, as shown.

DESCRIPTION

FIG. 1 is a top plan view of a desk organizer showing my new design;  
FIG. 2 is a bottom plan view;  
FIG. 3 is a front elevational view;  
FIG. 4 is a rear elevational view;  
FIG. 5 is a left side elevational view;  
FIG. 6 is a right side elevational view; and  
FIG. 7 is a perspective view thereof.

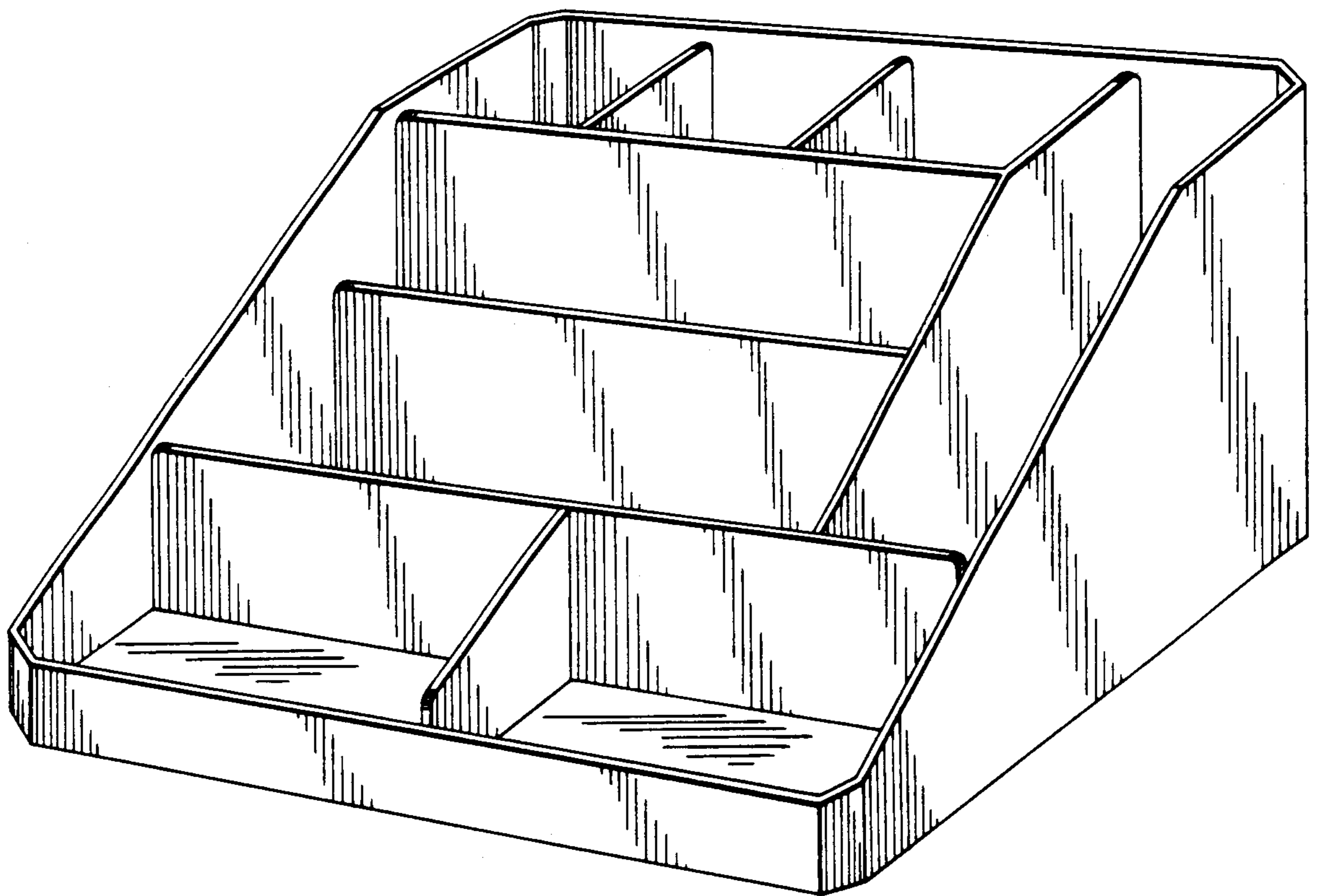


FIG. 1

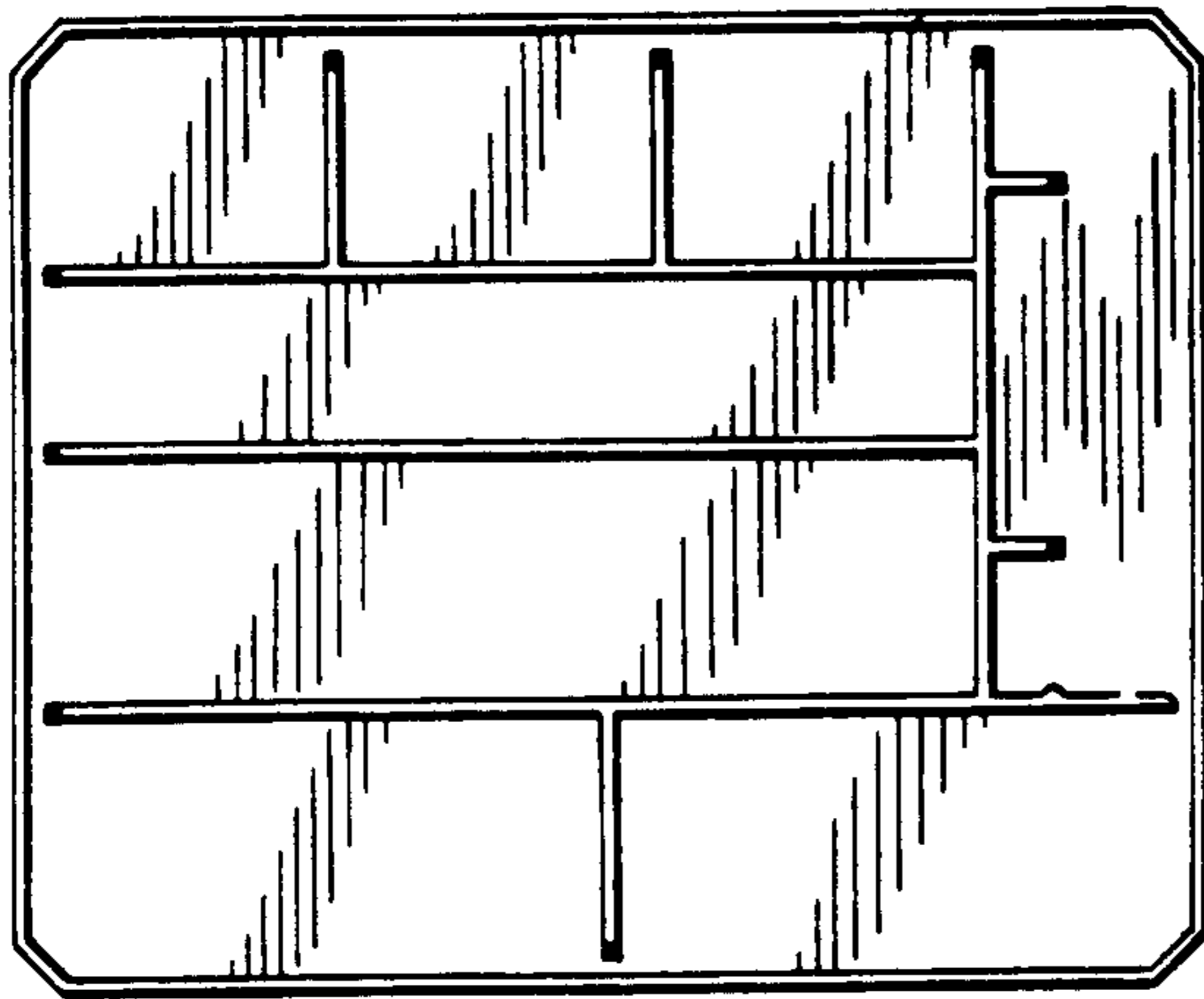


FIG. 2

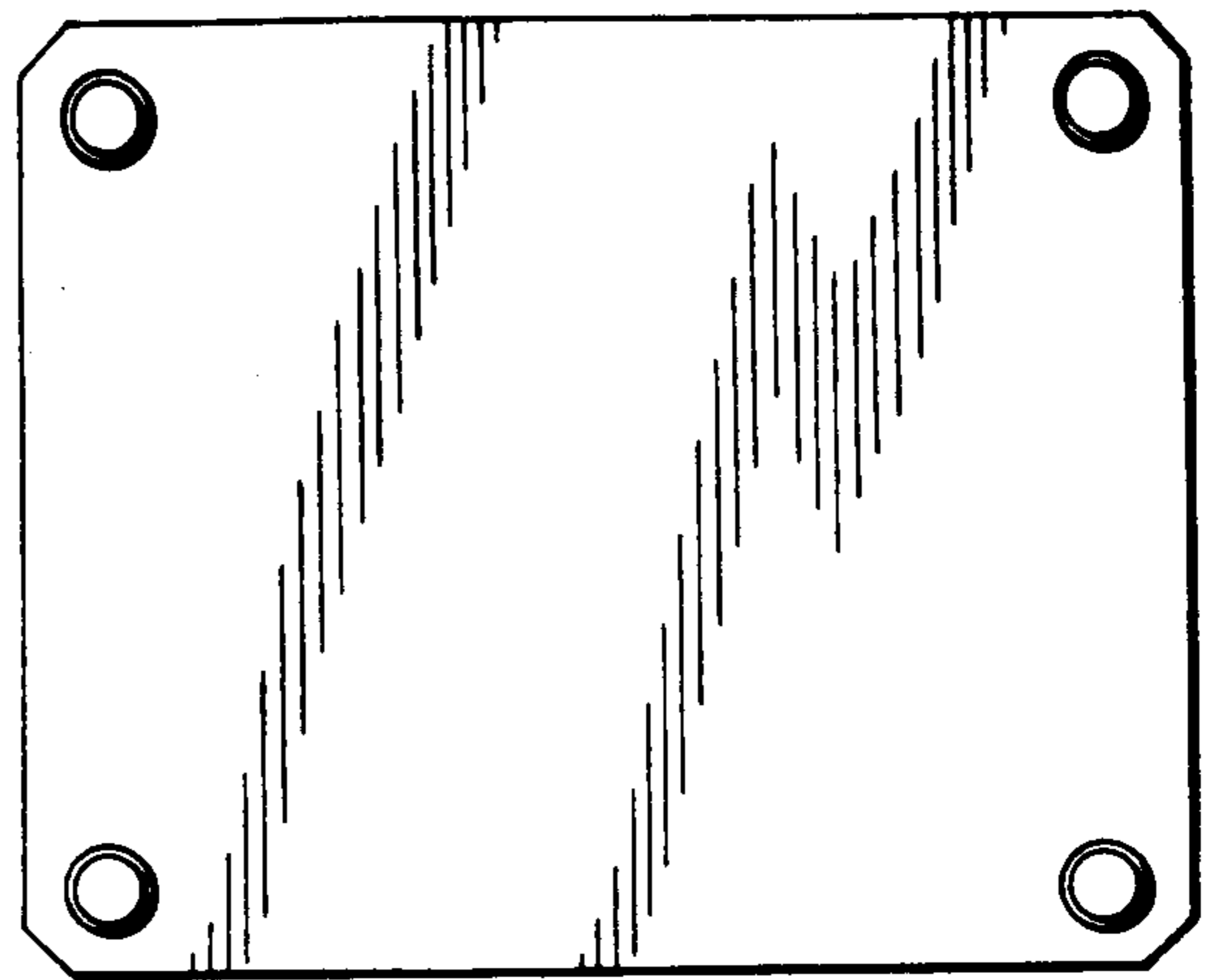


FIG. 3

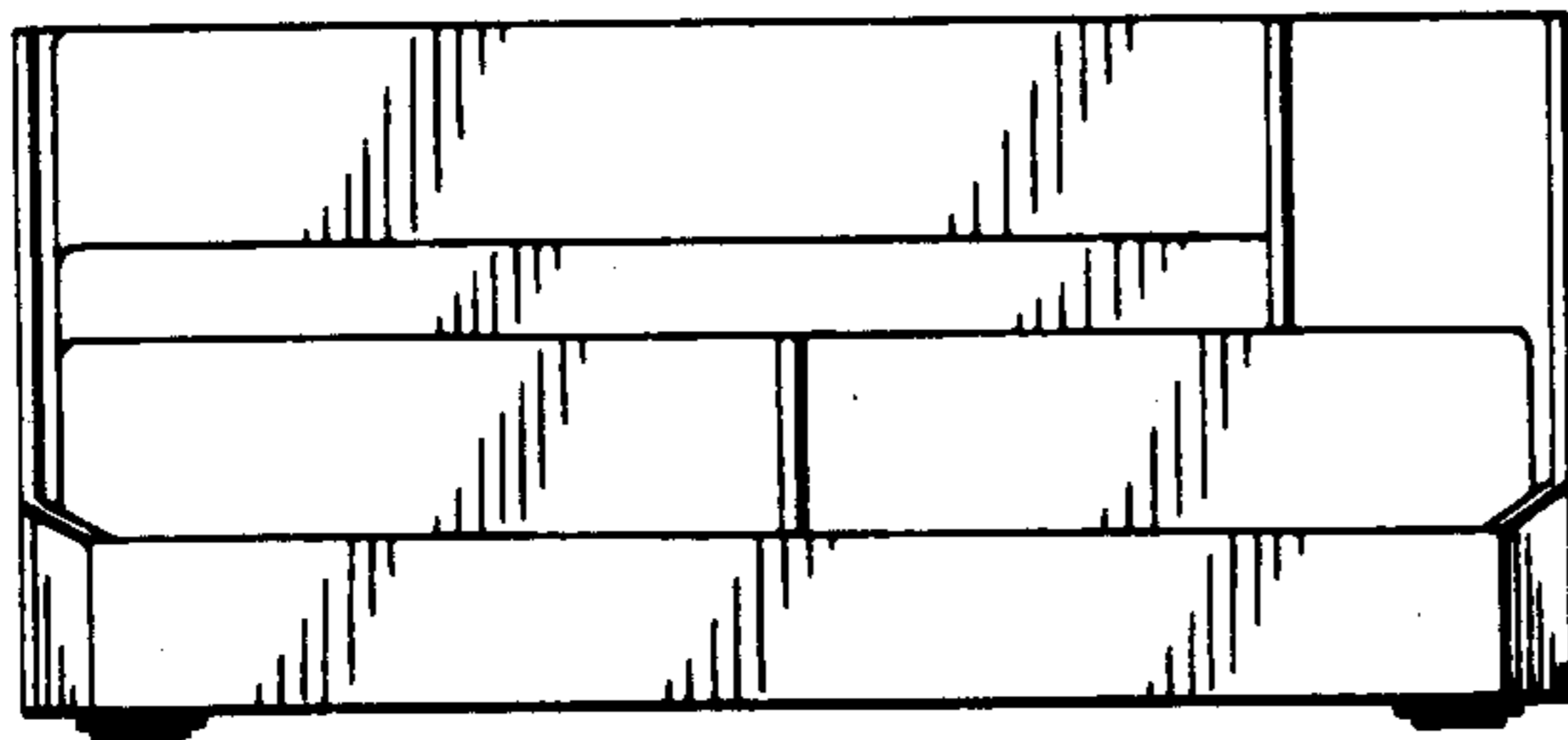


FIG. 4

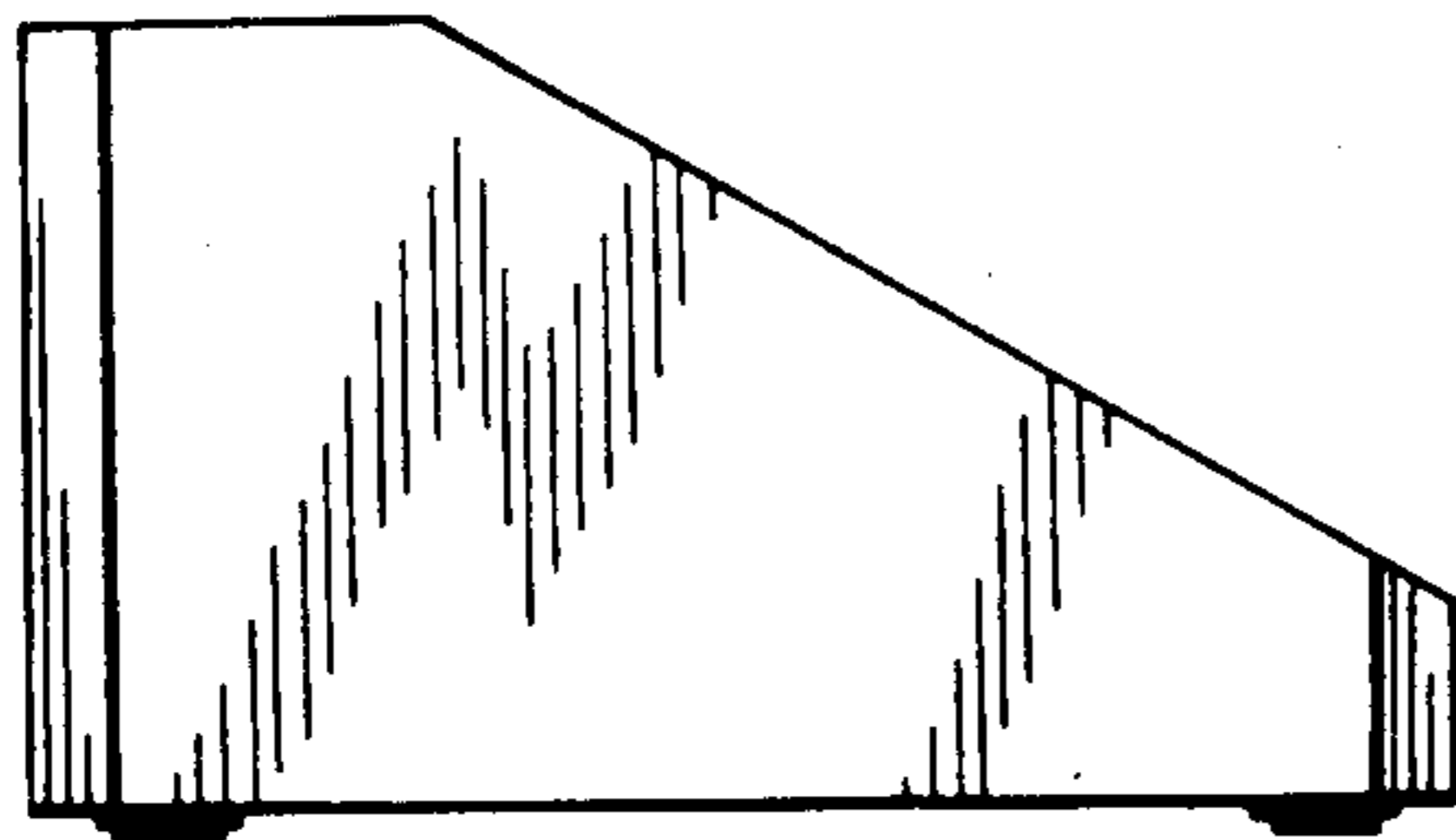
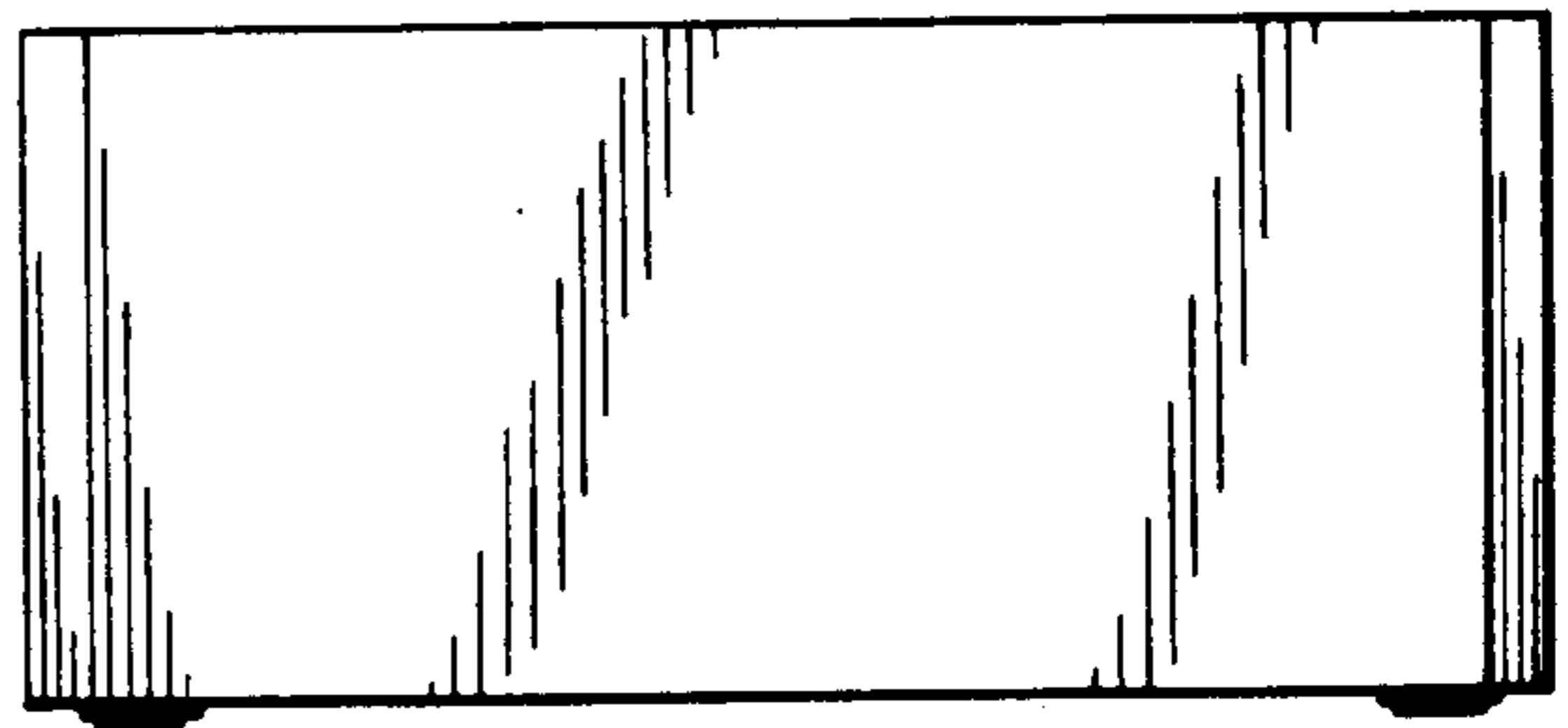


FIG. 5

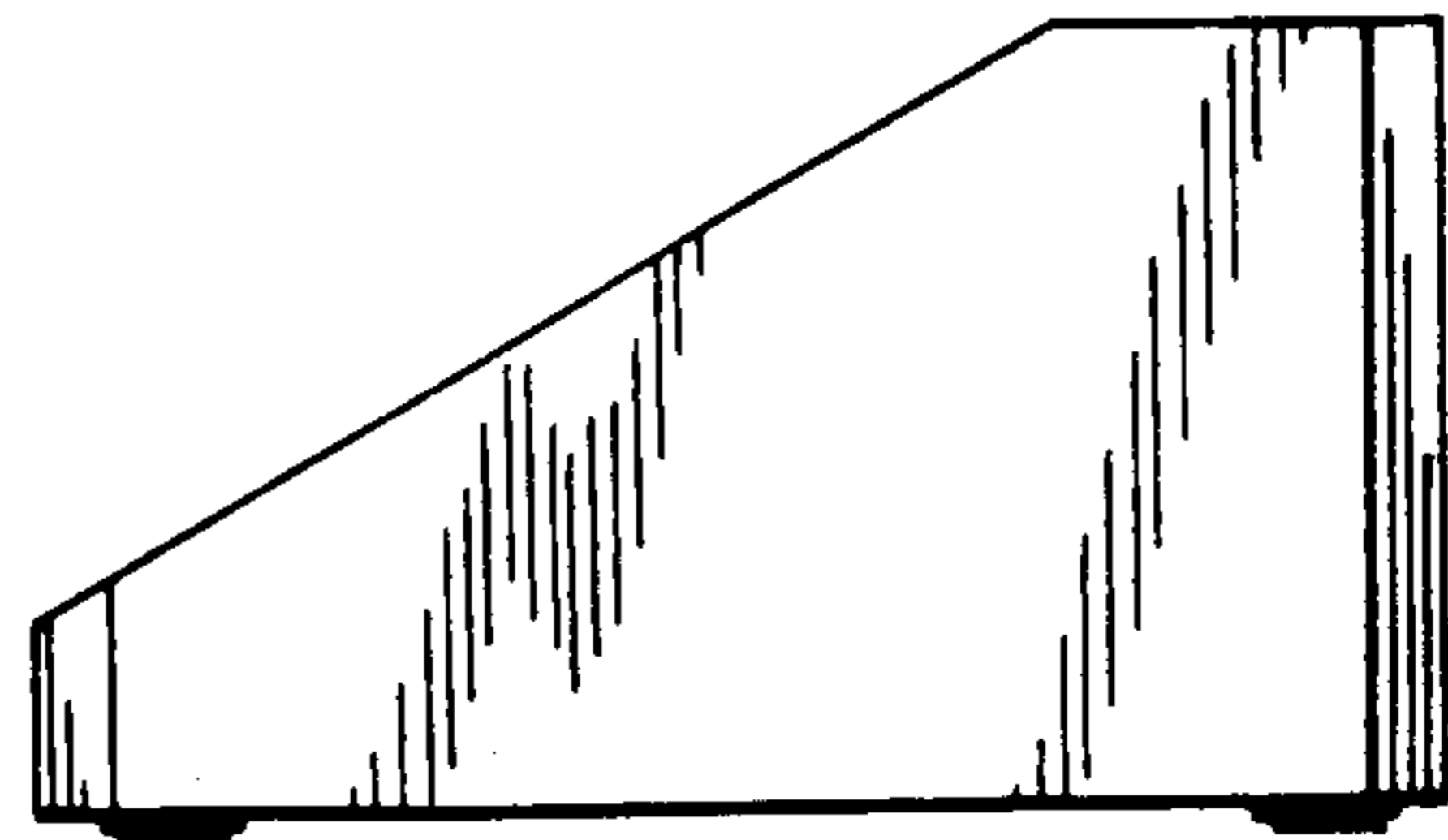


FIG. 6

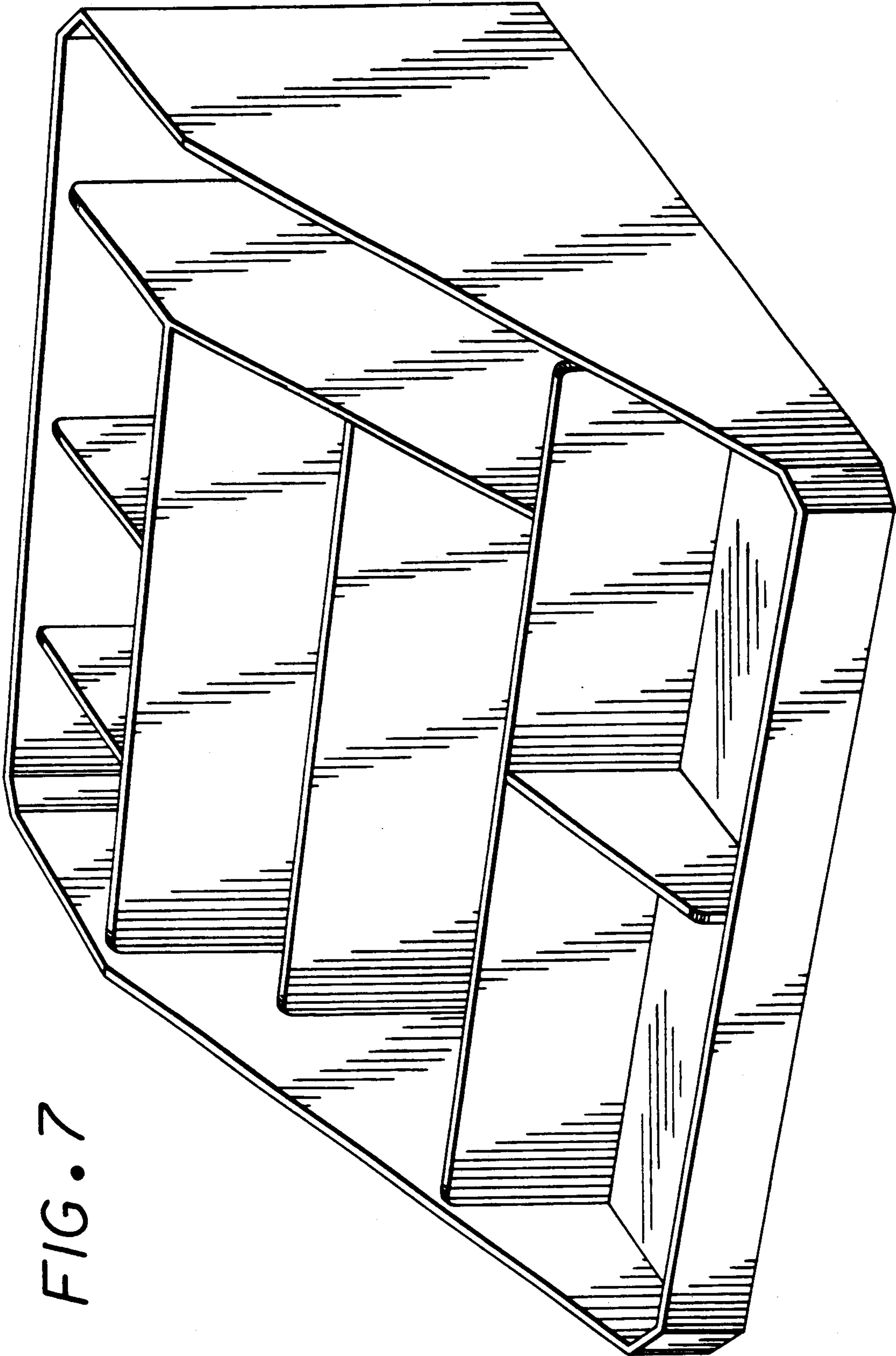


FIG. 7