

[54] INK RIBBON CASSETTE

[75] Inventors: Akira Miyamoto; Tokushige Ohmiya; Genichiro Ohtani; Setsuo Kawai; Kenji Watanabe; Goro Iijima; Takeshi Matsubara; Takanobu Kameda, all of Tokyo, Japan

[73] Assignee: King Jim Co., Ltd., Tokyo, Japan

[**] Term: 14 Years

[21] Appl. No.: 291,878

[22] Filed: Dec. 29, 1988

[30] Foreign Application Priority Data

Jul. 7, 1988 [JP] Japan 63-26877

[52] U.S. Cl. D18/12

[58] Field of Search D18/12, 22, 99; D14/121; 400/194, 195, 196, 196.1, 207, 208

[56] References Cited

U.S. PATENT DOCUMENTS

D. 281,332 11/1985 Nibley et al. D18/12

D. 302,829 8/1989 Nezu et al. D18/12
D. 304,597 11/1989 Sakurai D18/12

FOREIGN PATENT DOCUMENTS

0214466 3/1987 European Pat. Off. 400/208
0287777 12/1986 Japan 400/208
0284760 12/1987 Japan 400/196.1

Primary Examiner—Bruce W. Dunkins
Assistant Examiner—Caron D. Veynar
Attorney, Agent, or Firm—Young & Thompson

[57] CLAIM

The ornamental design for an ink ribbon cassette, as shown and described.

DESCRIPTION

FIG. 1 is a front elevational view of an ink ribbon cassette showing our new design;
FIG. 2 is a rear elevational view thereof;
FIG. 3 is a top plan view thereof;
FIG. 4 is a bottom plan view thereof;
FIG. 5 is a right side elevational view thereof;
FIG. 6 is a left side elevational view thereof; and
FIG. 7 is a right front perspective view thereof.

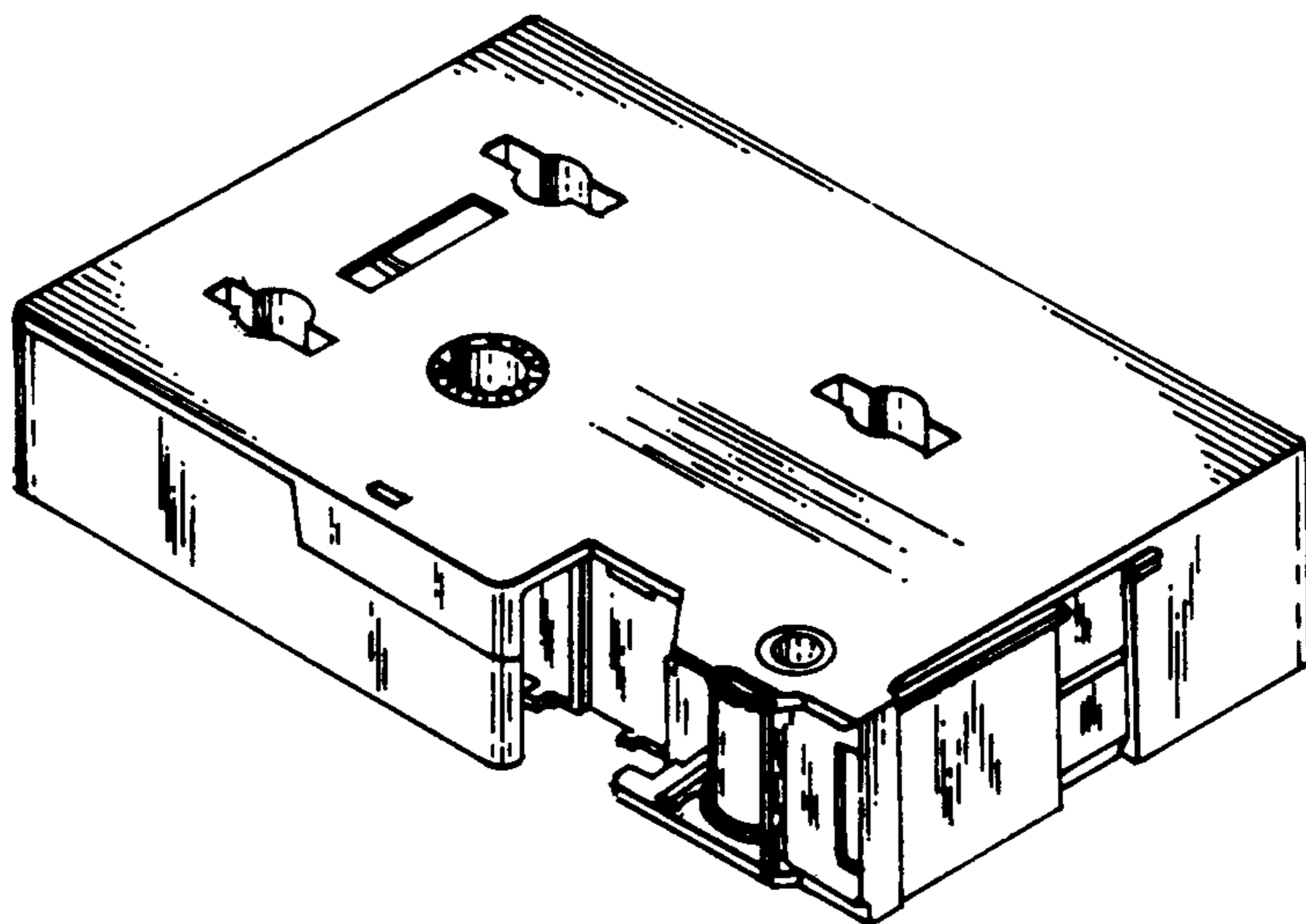


FIG. 1

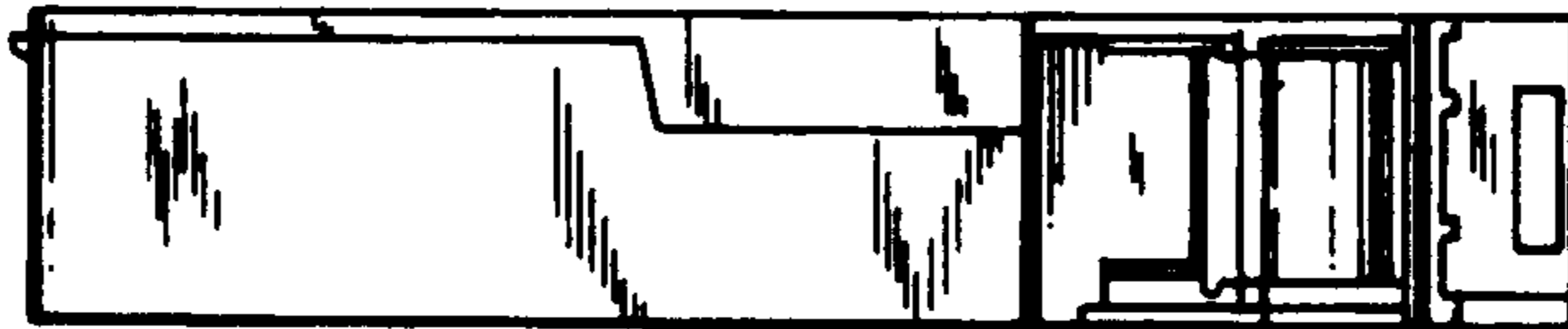


FIG. 2



FIG. 3

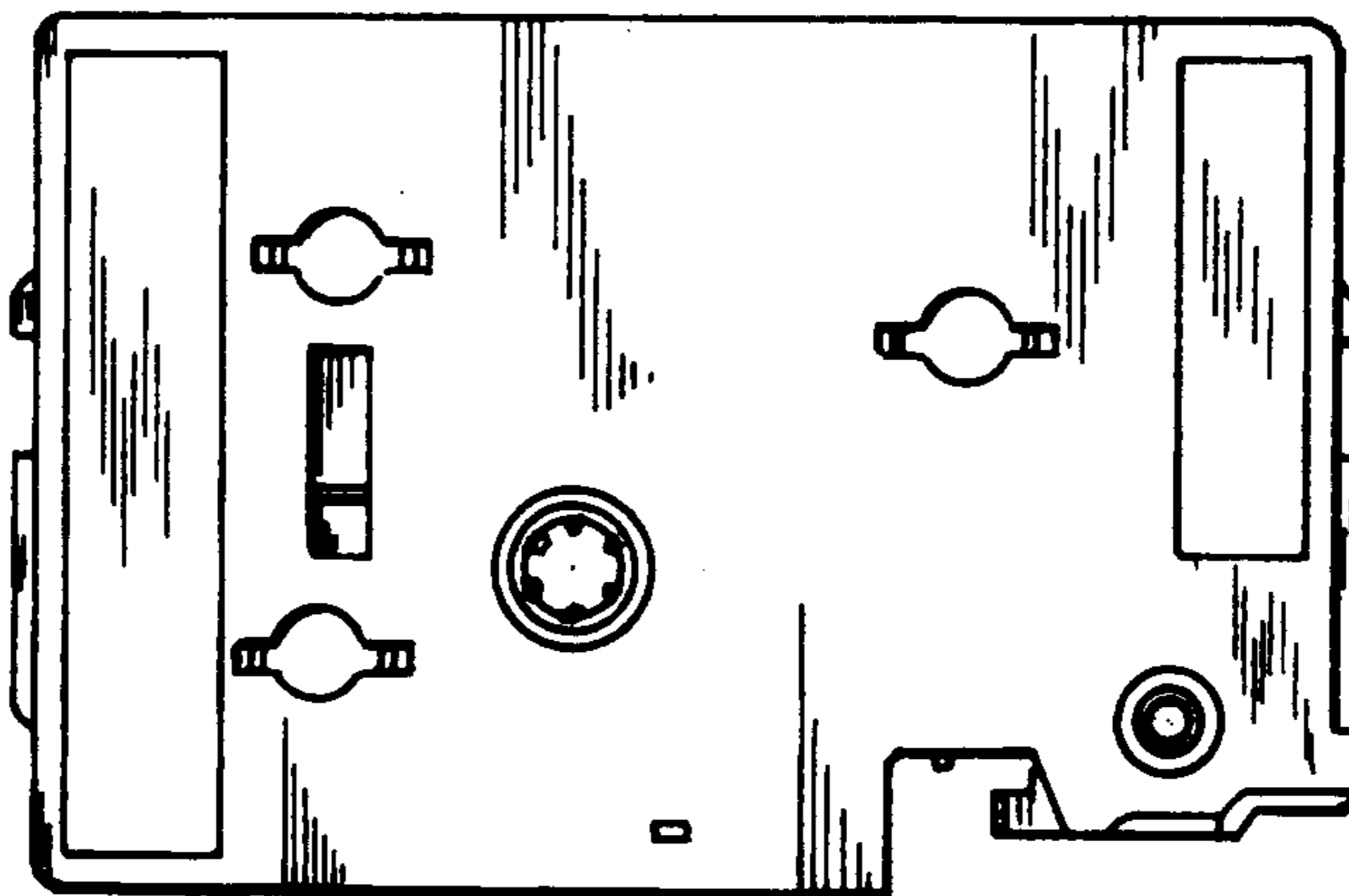


FIG. 6

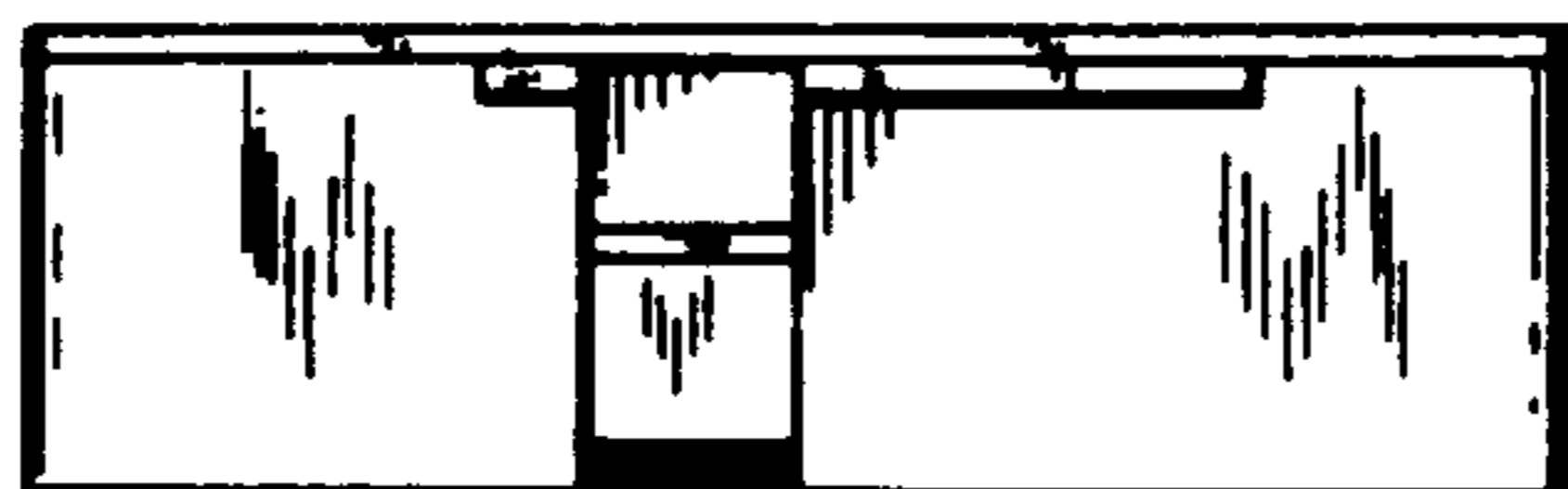
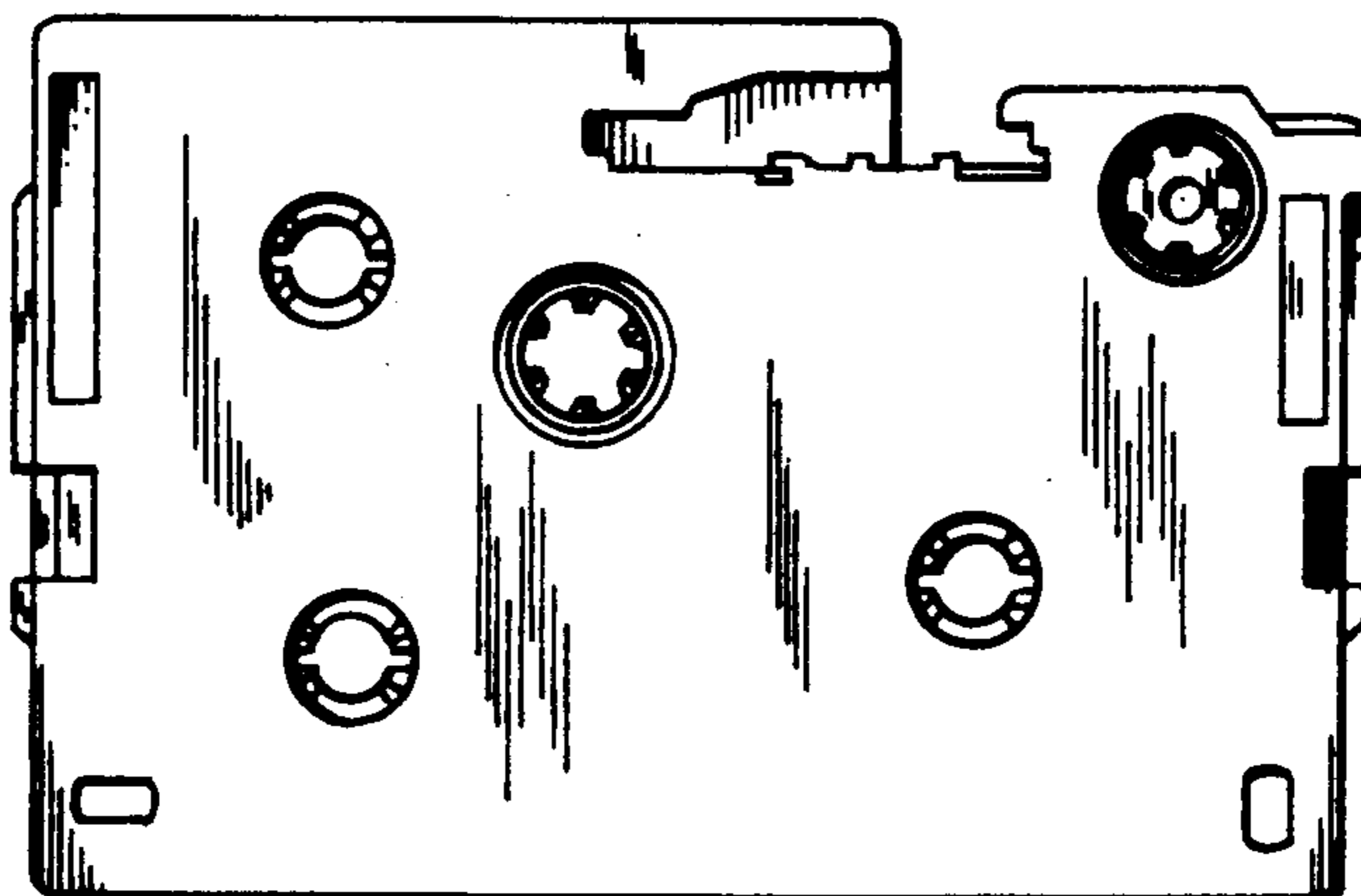


FIG. 5



FIG. 4



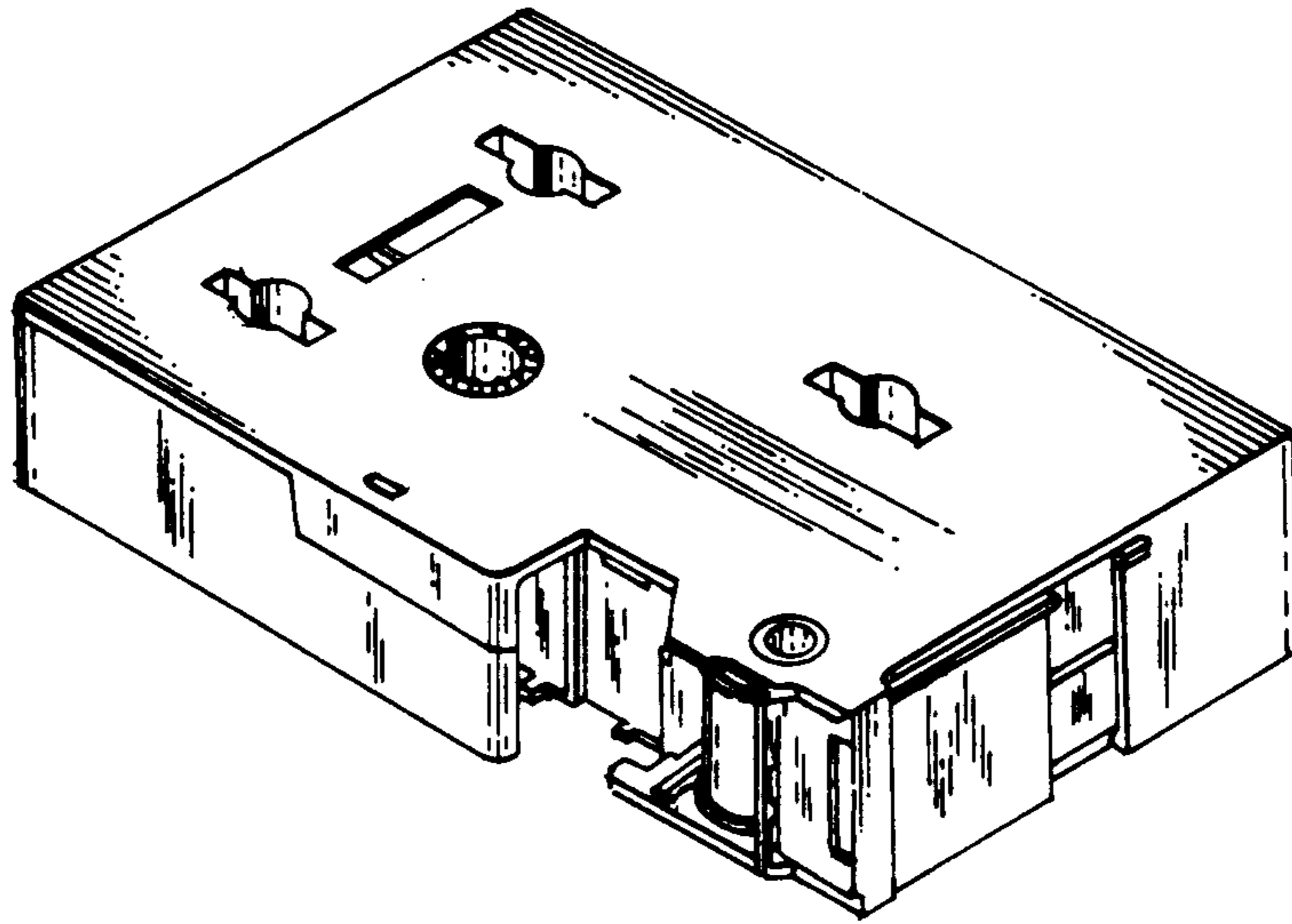


FIG. 7