

[54] **THROTTLE CONTROL**

[76] **Inventor: Christian Häggstam, Rapskatan 5,
S-573 00 Tranås, Sweden**

[**] **Term: 14 Years**

[21] **Appl. No.: 155,774**

[22] **Filed: Feb. 16, 1988**

[30] **Foreign Application Priority Data**

Sep. 4, 1987 [SE] Sweden 87-1965
[52] **U.S. Cl. D15/17**
[58] **Field of Search D15/14, 18; 74/519,
74/543, 550; 56/DIG. 18**

[56] **References Cited**

U.S. PATENT DOCUMENTS

D. 276,047 10/1984 Sasaki D15/14
D. 295,865 5/1988 Rosenblad D15/18
4,551,967 11/1985 Murcko 56/17.1

OTHER PUBLICATIONS

Toro Brochure, ©1983, p. 4, Throttle.
Sears Tractor Catalog, Jan. 1968, p. 4, Throttle.

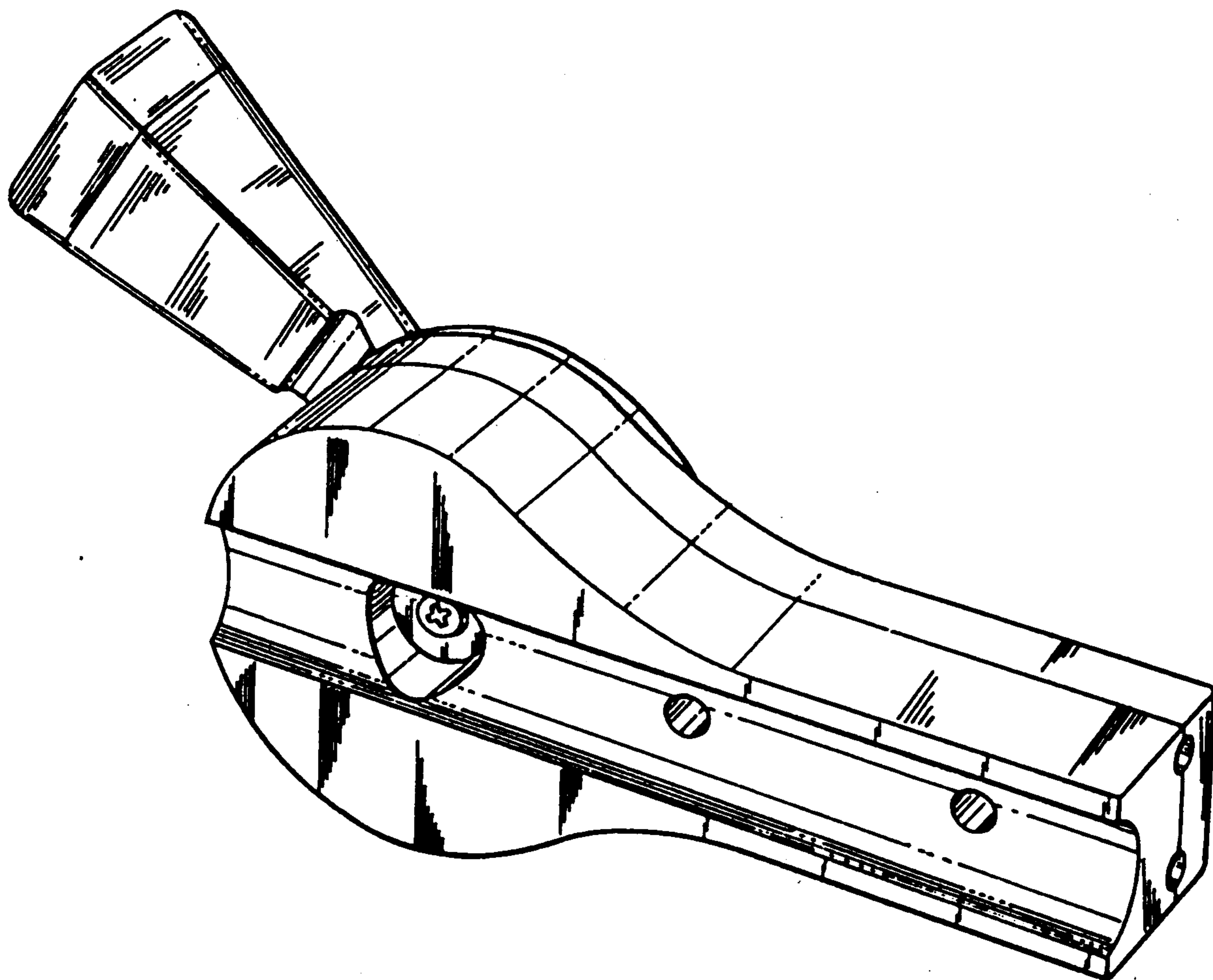
Primary Examiner—B. J. Bullock
Assistant Examiner—Sandra Morris

[57] **CLAIM**

The ornamental design for a throttle control, as shown.

DESCRIPTION

FIG. 1 is a perspective view of a throttle control showing my new design;
FIG. 2 is a perspective rear view thereof.



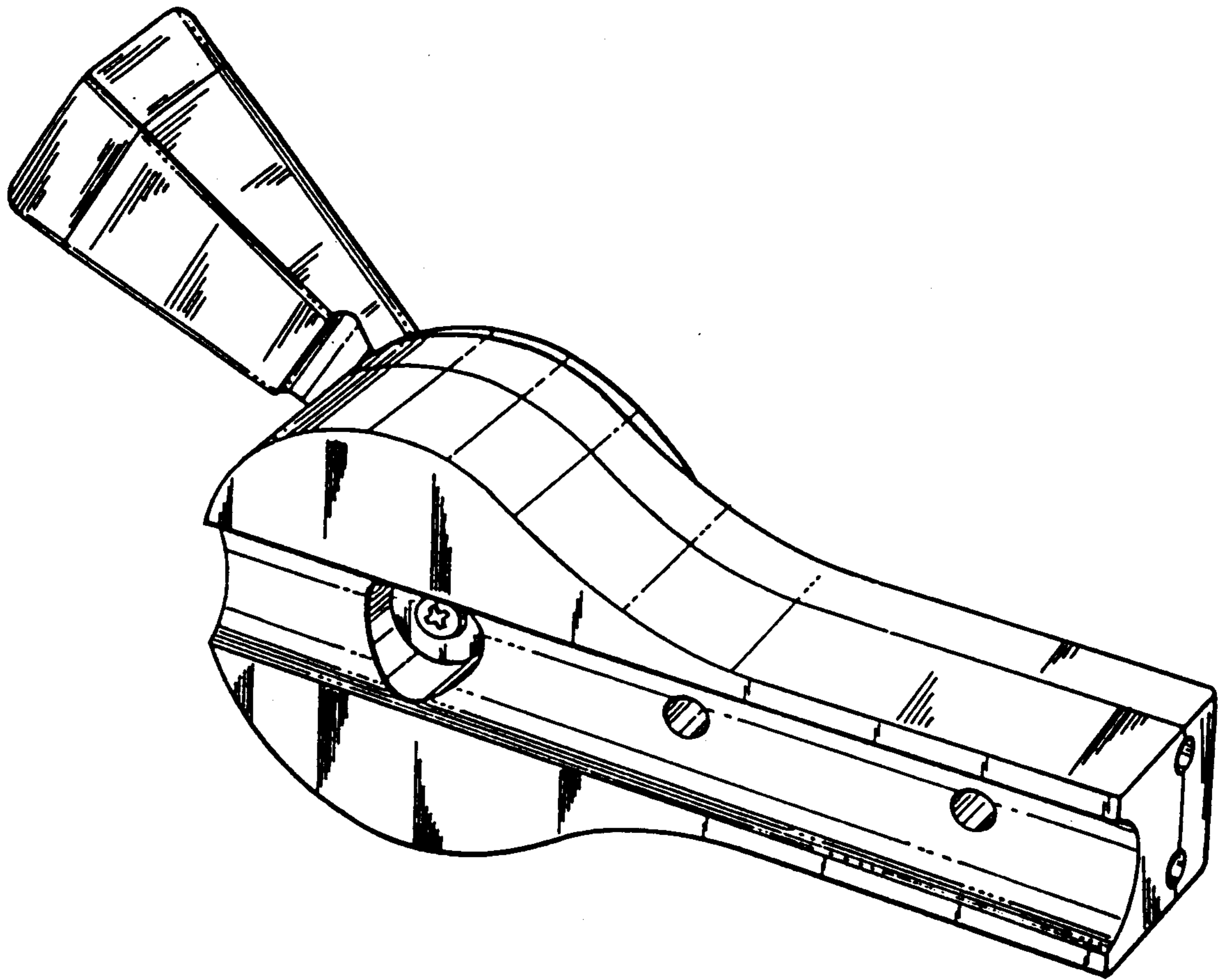


Fig.1

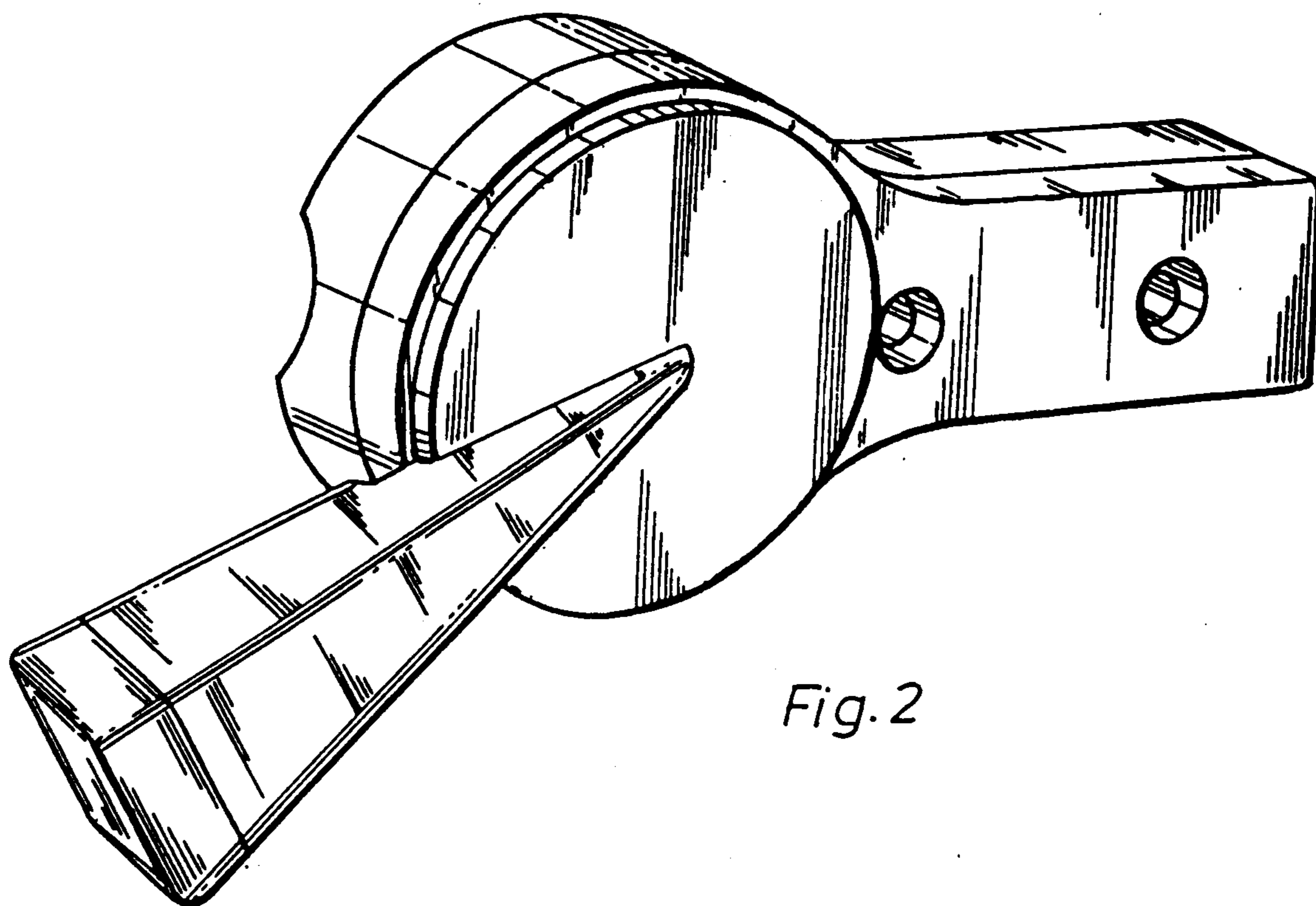


Fig. 2