

# United States Patent [19]

Kienholz

[11] Patent Number: **Des. 317,164**

[45] Date of Patent: **\*\* May 28, 1991**

[54] **PUMP TUBE MOUNT**

[75] Inventor: **Charles Kienholz, San Dimas, Calif.**

[73] Assignee: **I-Flow Corporation, Irvine, Calif.**

[\*\*] Term: **14 Years**

[21] Appl. No.: **301,731**

[22] Filed: **Jan. 24, 1989**

[52] U.S. Cl. .... **D15/7**

[58] Field of Search ..... **D15/1, 7; 417/402-404;  
604/131, 153, 67; 128/DIG. 12**

[56] **References Cited**

### U.S. PATENT DOCUMENTS

D. 301,583 6/1989 Herner ..... D15/7

4,340,153 7/1982 Spivey ..... 222/1  
4,950,245 8/1990 Brown et al. .... 604/131

*Primary Examiner*—Louis S. Zarfes

*Assistant Examiner*—R. T. Seifert

*Attorney, Agent, or Firm*—Robert M. Asher

[57] **CLAIM**

The ornamental design for a pump tube mount, as shown and described.

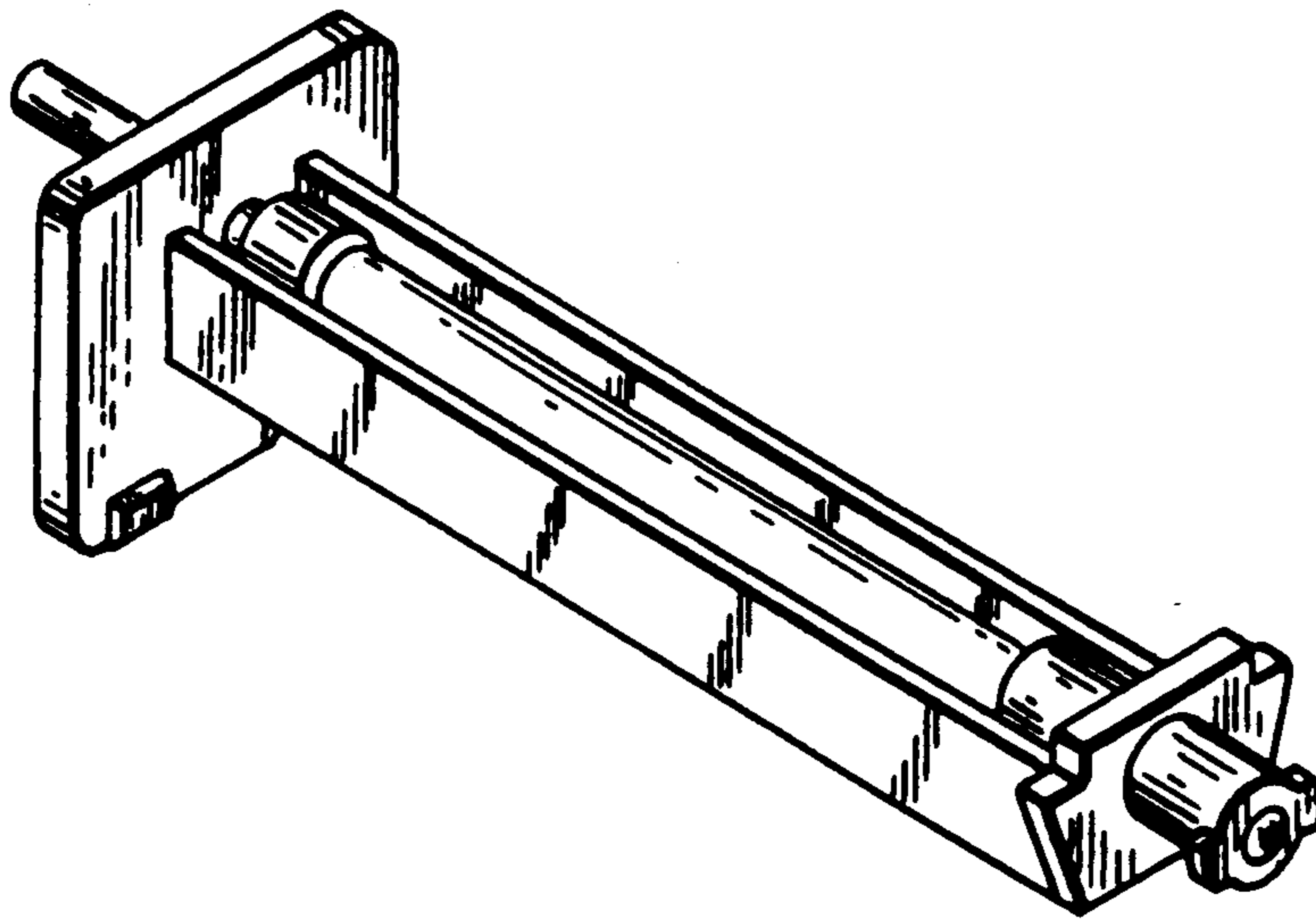
### DESCRIPTION

FIG. 1 is a perspective view of a pump tube mount showing my new design;

FIG. 2 is a front elevational view;

FIG. 3 is a rear elevational view; and

FIG. 4 is a bottom plan view.



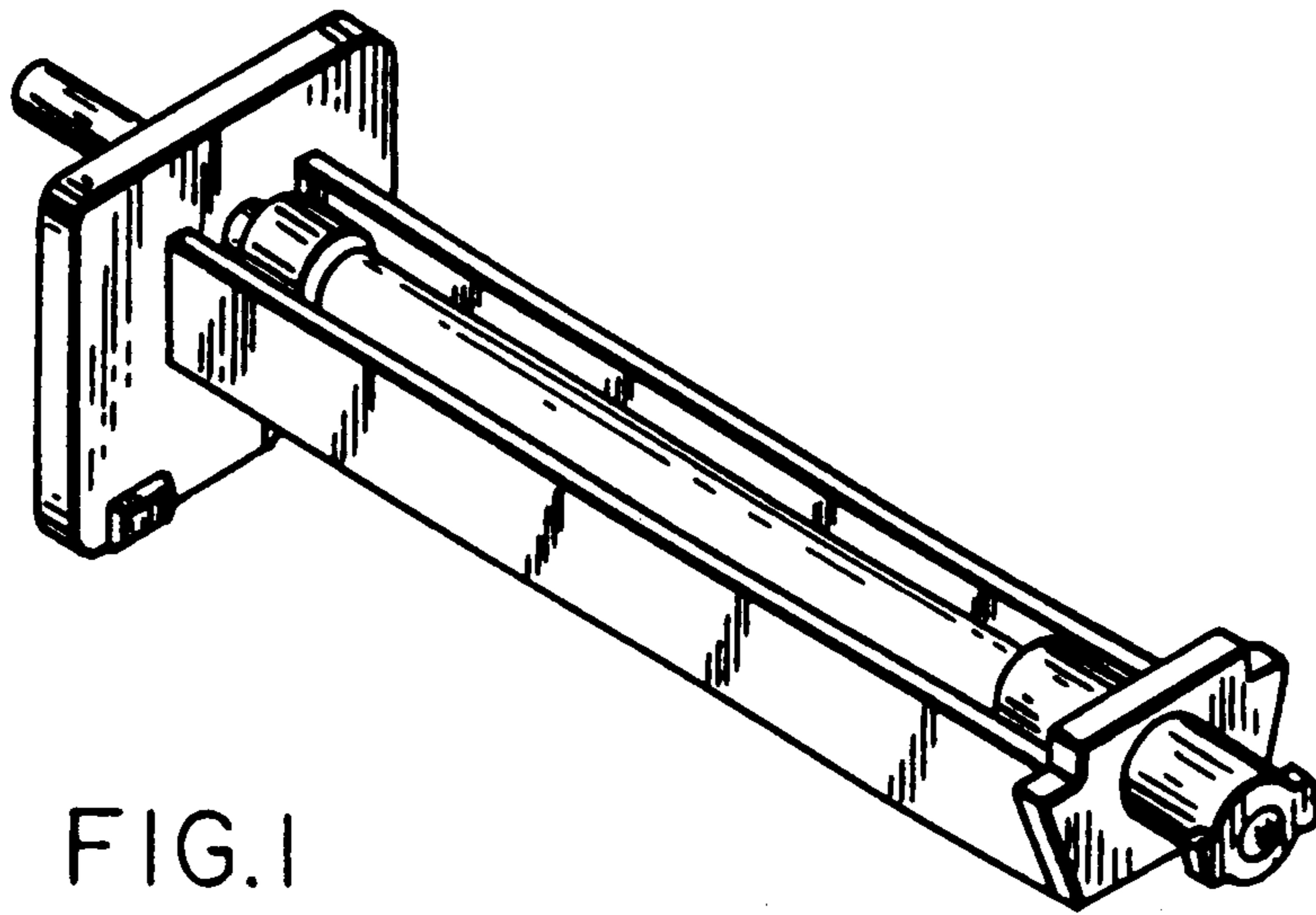


FIG. 1

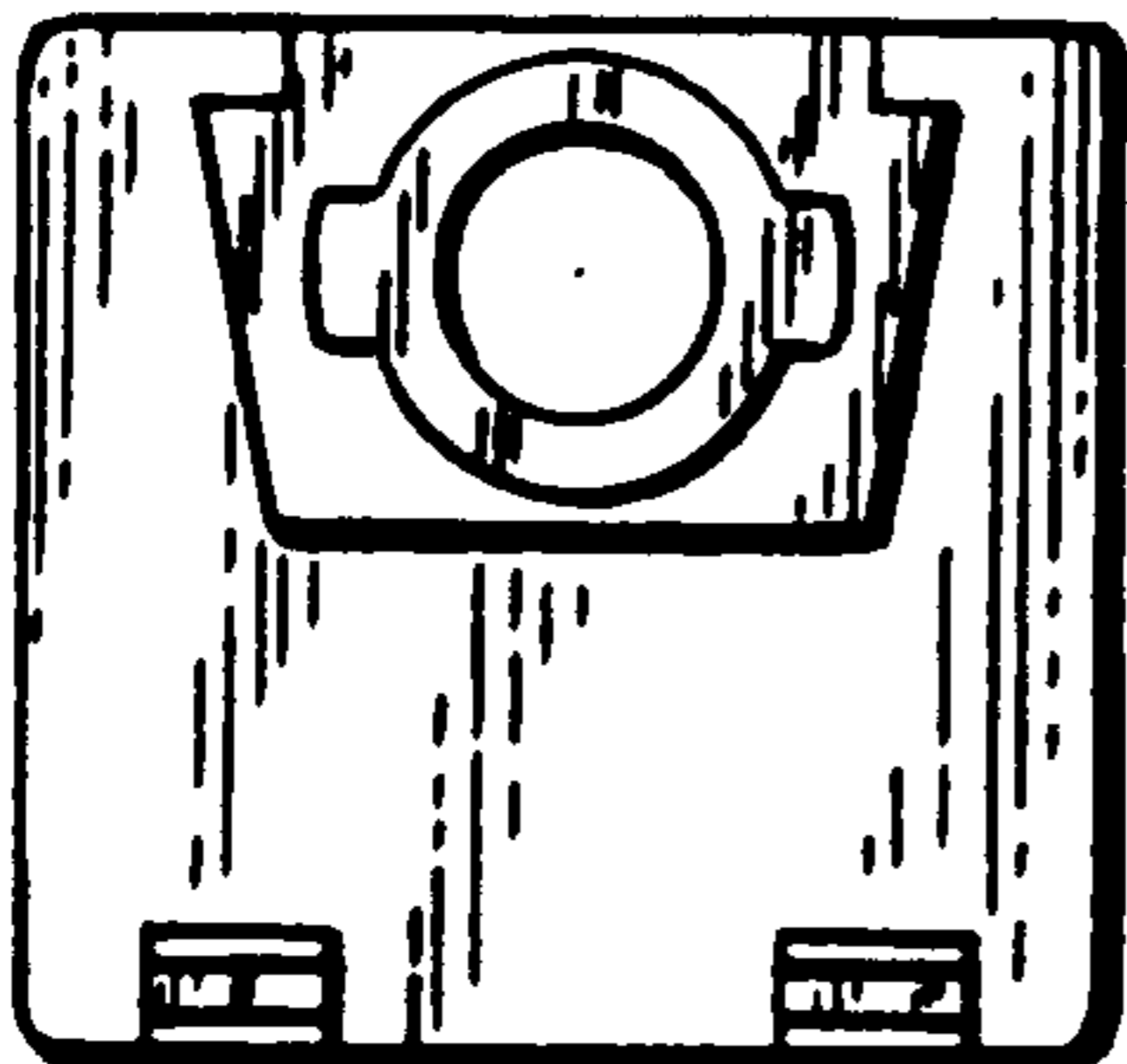


FIG. 2

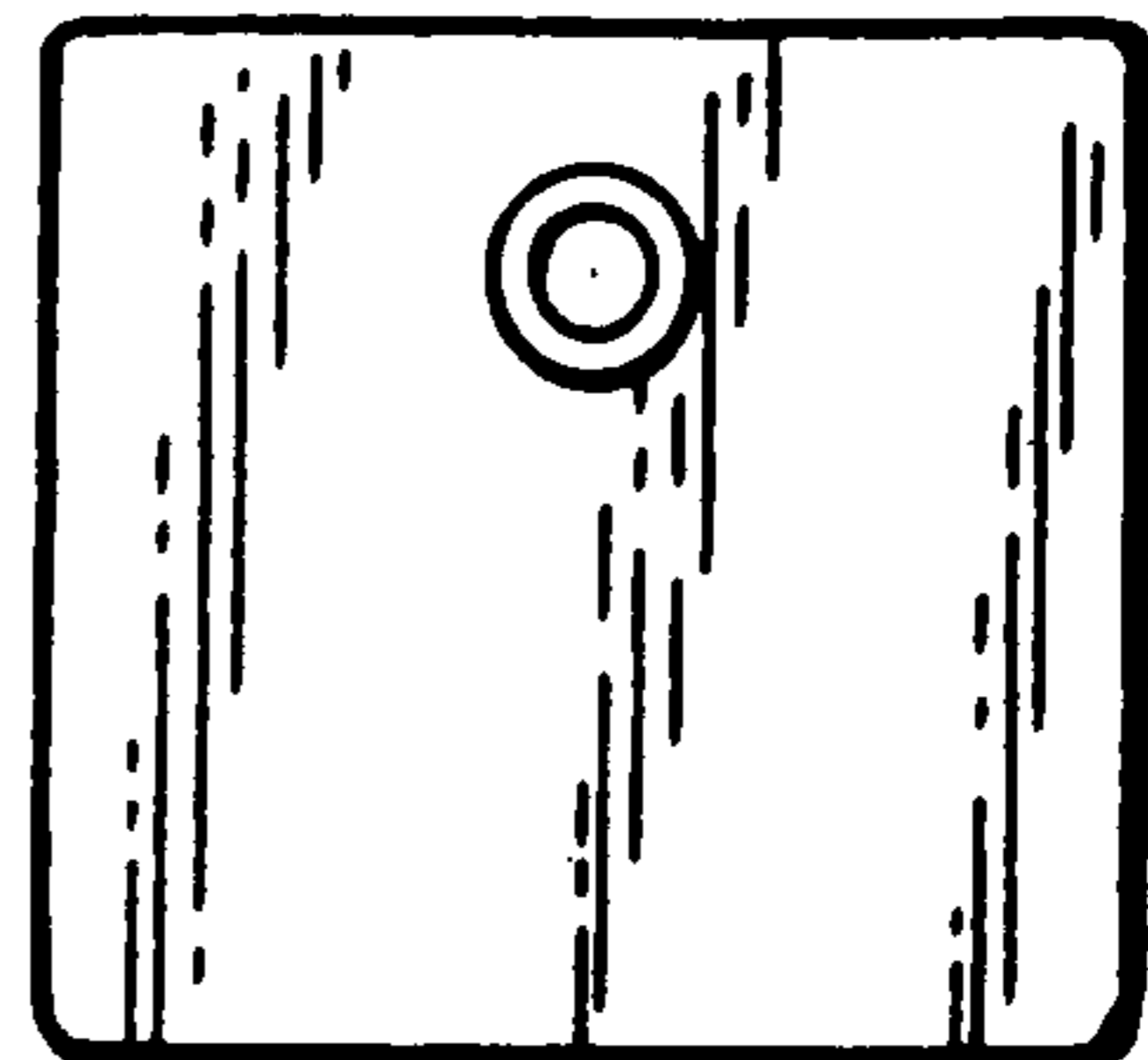


FIG. 3

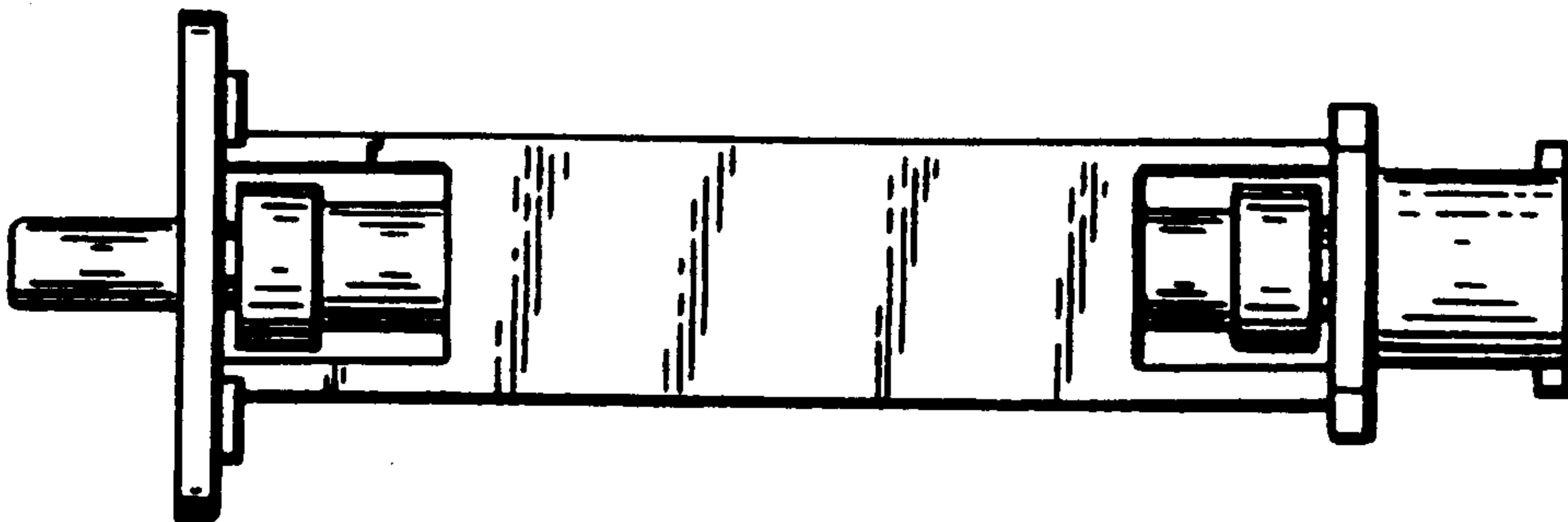


FIG. 4