

[54] LOUDSPEAKER

[75] Inventors: Hideaki Kurata; Eiji Shintani, both of Tokyo, Japan

[73] Assignee: Pioneer Kabushiki Kaisha, Tokyo, Japan

[**] Term: 14 Years

[21] Appl. No.: 369,543

[22] Filed: Jun. 20, 1989

[30] Foreign Application Priority Data

Dec. 27, 1988 [JP] Japan 63-51031

[52] U.S. Cl. D14/216; D14/219

[58] Field of Search D14/124, 204-216, D14/217, 219-224, 299; 181/144, 148, 150, 157, 199

[56] References Cited

U.S. PATENT DOCUMENTS

- D. 155,609 10/1949 Hooks D14/214
- D. 273,583 4/1984 Hattori D14/219

- D. 276,045 10/1984 Kawachi D14/215
- D. 281,068 10/1985 Katsuno D14/214
- D. 289,894 5/1987 Ohtsuji et al. D14/219

FOREIGN PATENT DOCUMENTS

M 296/1983 3/1983 Sweden .

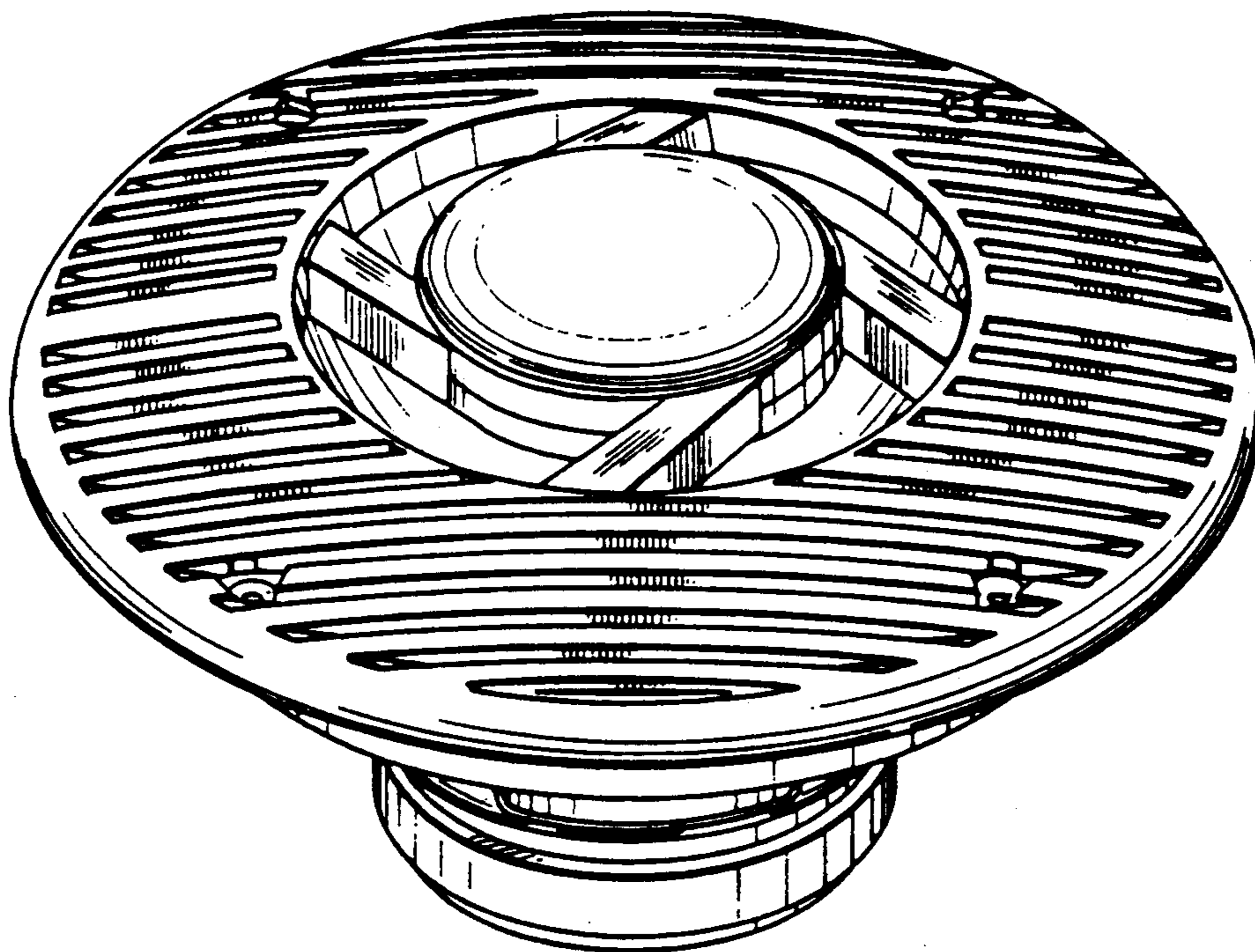
Primary Examiner—Theodore M. Shooman
Attorney, Agent, or Firm—Armstrong, Nikaido, Marmelstein, Kubovcik & Murray

[57] CLAIM

The ornamental design for a loudspeaker, as shown and described.

DESCRIPTION

FIG. 1 is a front and bottom perspective view of a loudspeaker showing our new design;
 FIG. 2 is a top plan view thereof, the bottom being a mirror image;
 FIG. 3 is a front elevational view thereof;
 FIG. 4 is a left side elevational view thereof;
 FIG. 5 is a right side elevational view thereof; and
 FIG. 6 is a rear elevational view thereof.



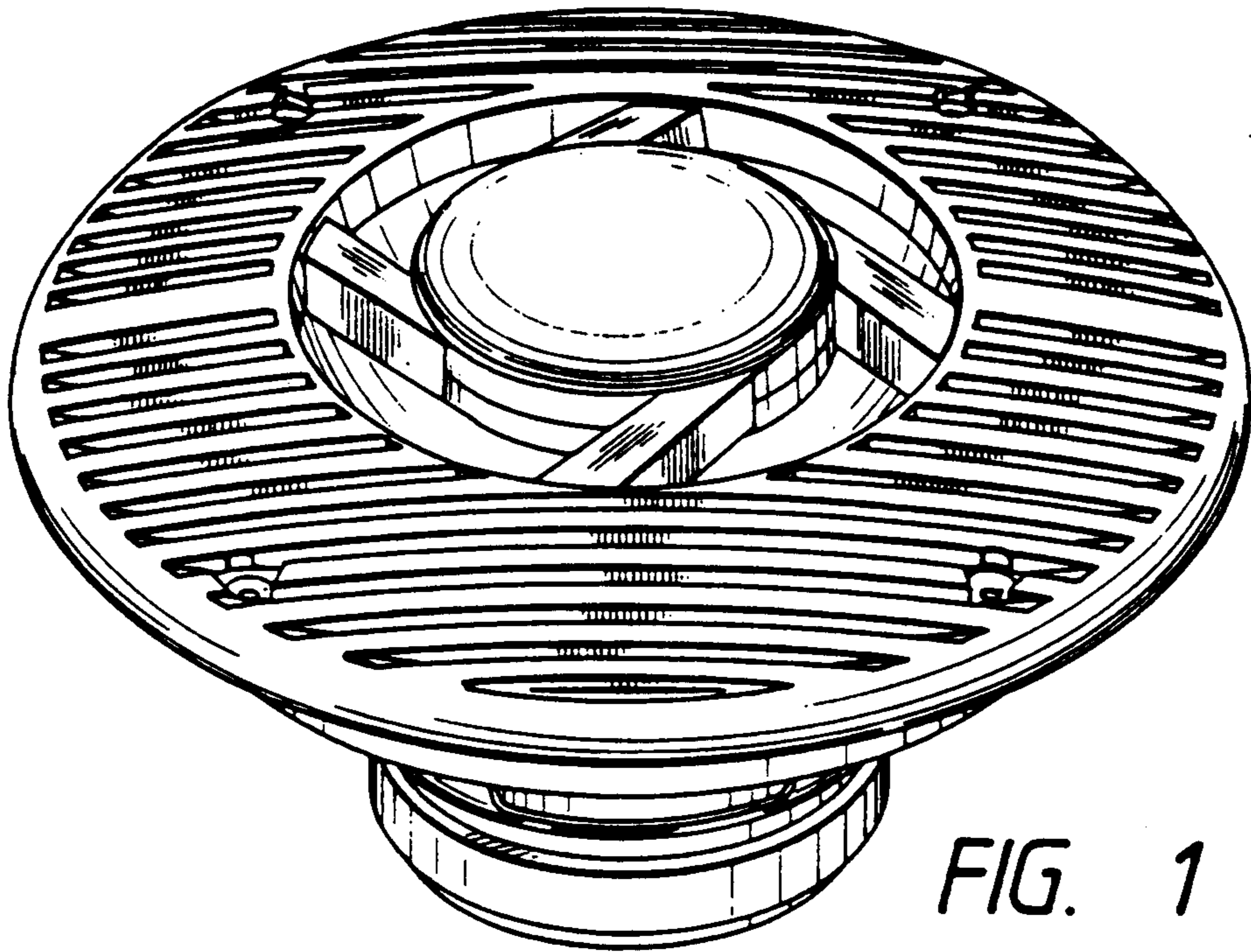


FIG. 1

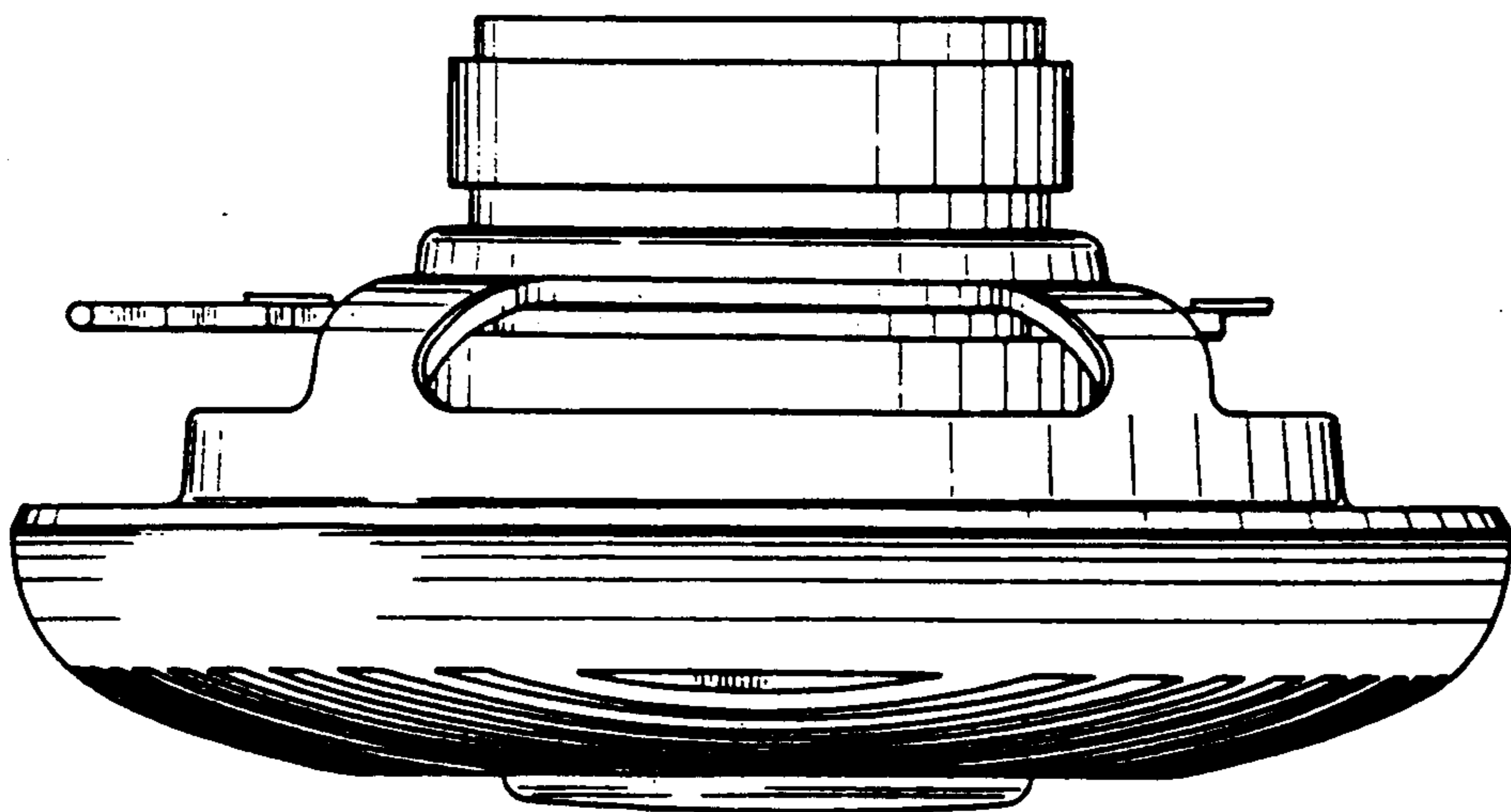


FIG. 2

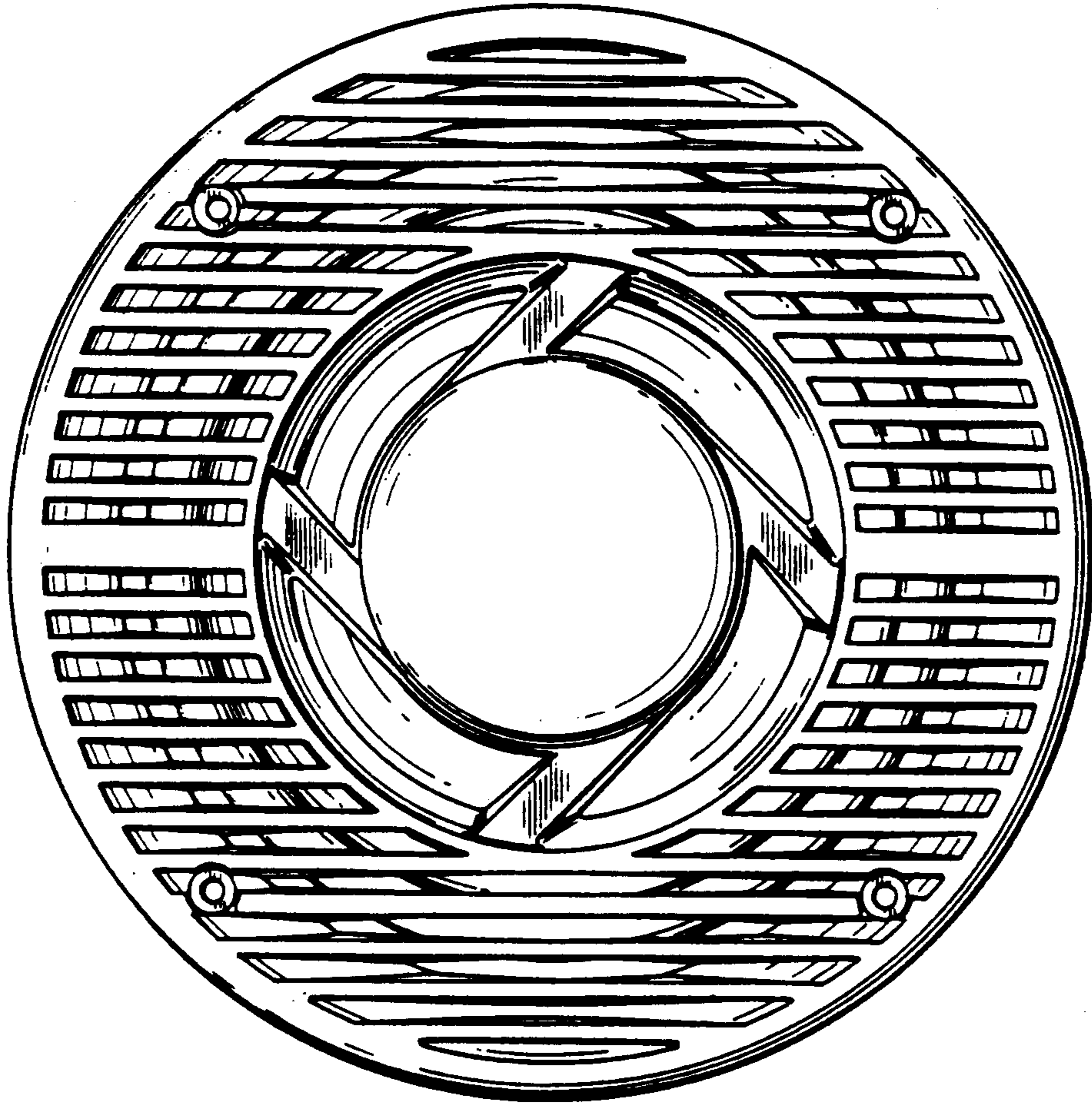


FIG. 3

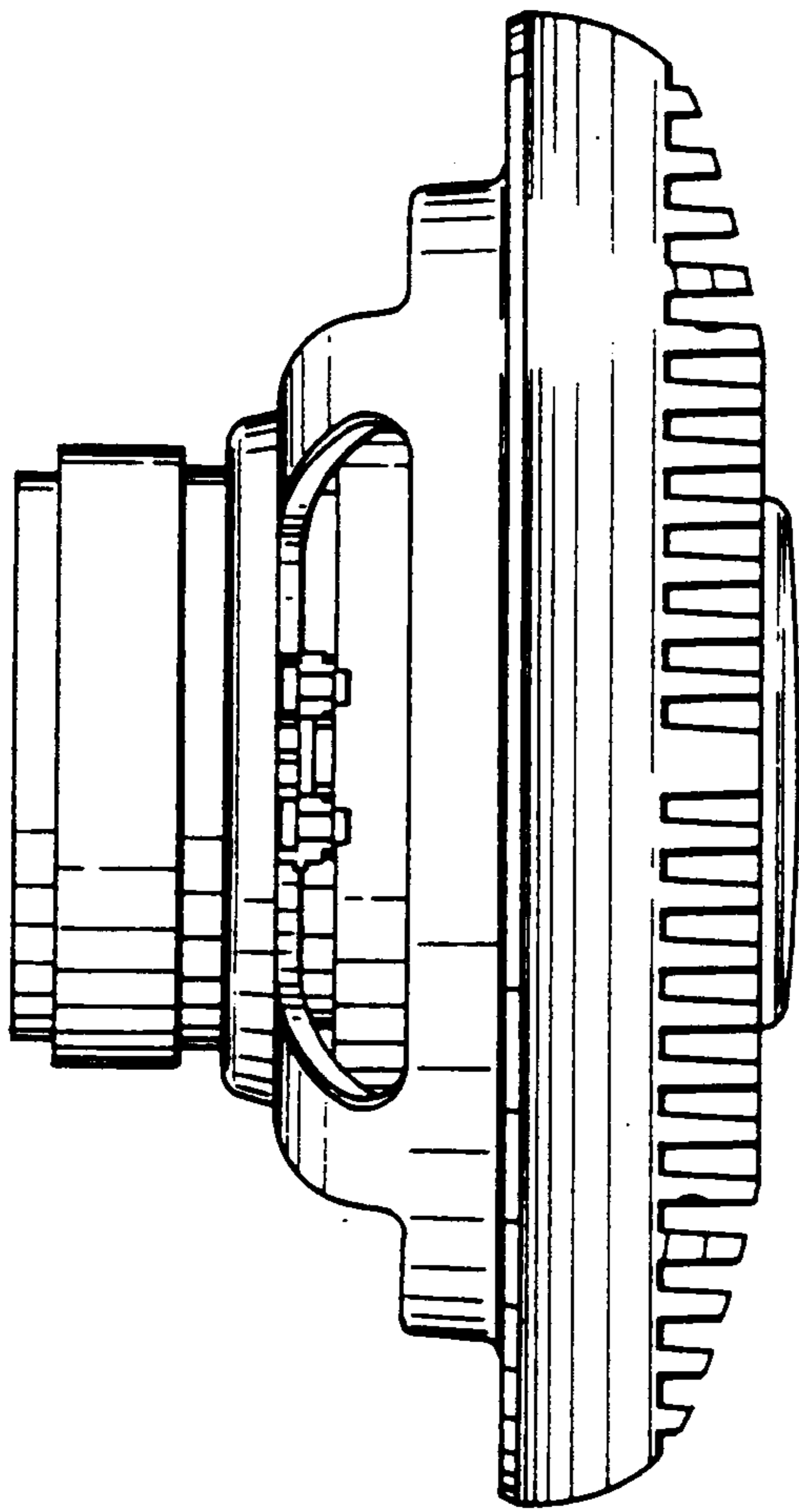


FIG. 4

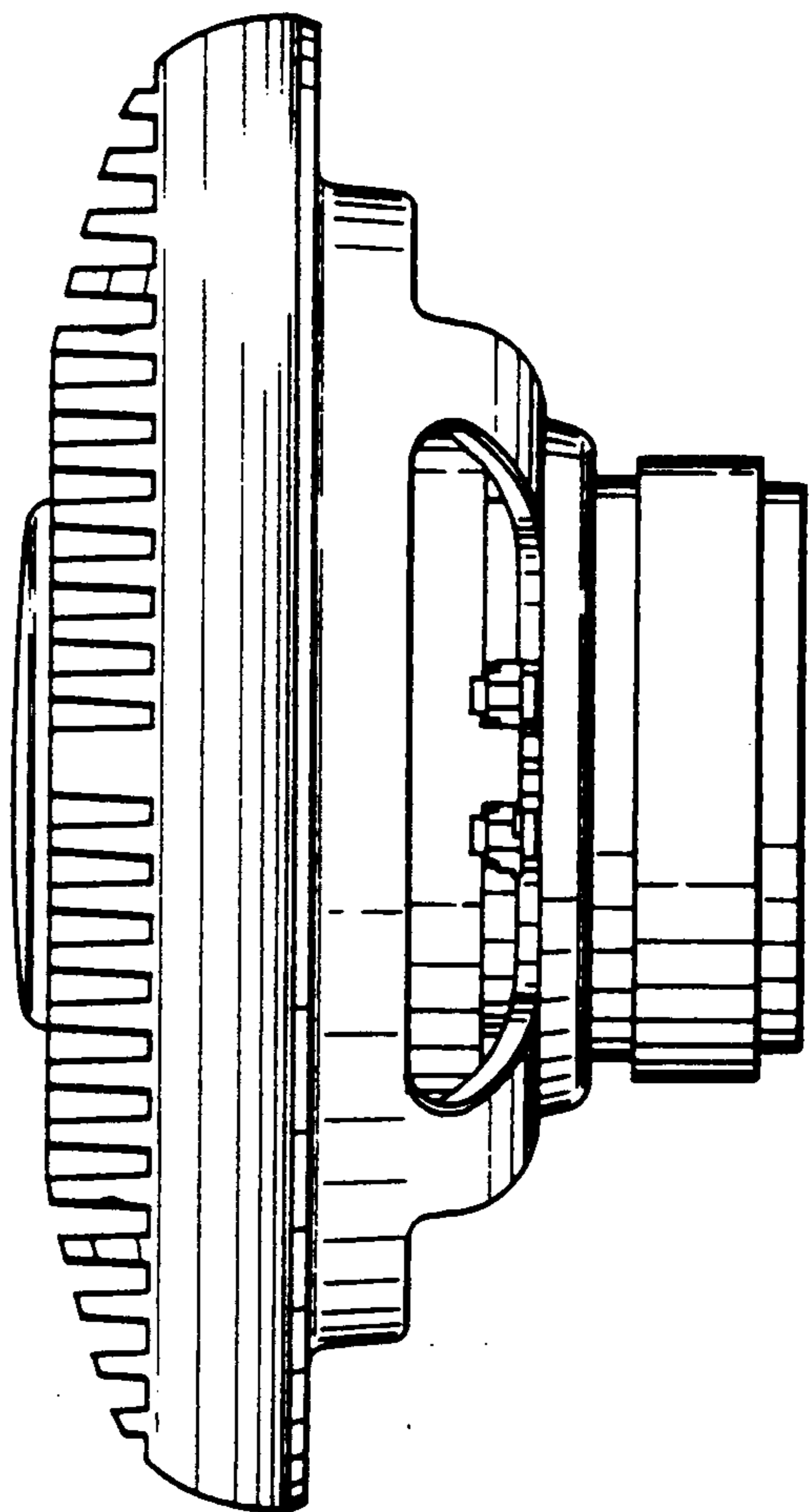


FIG. 5

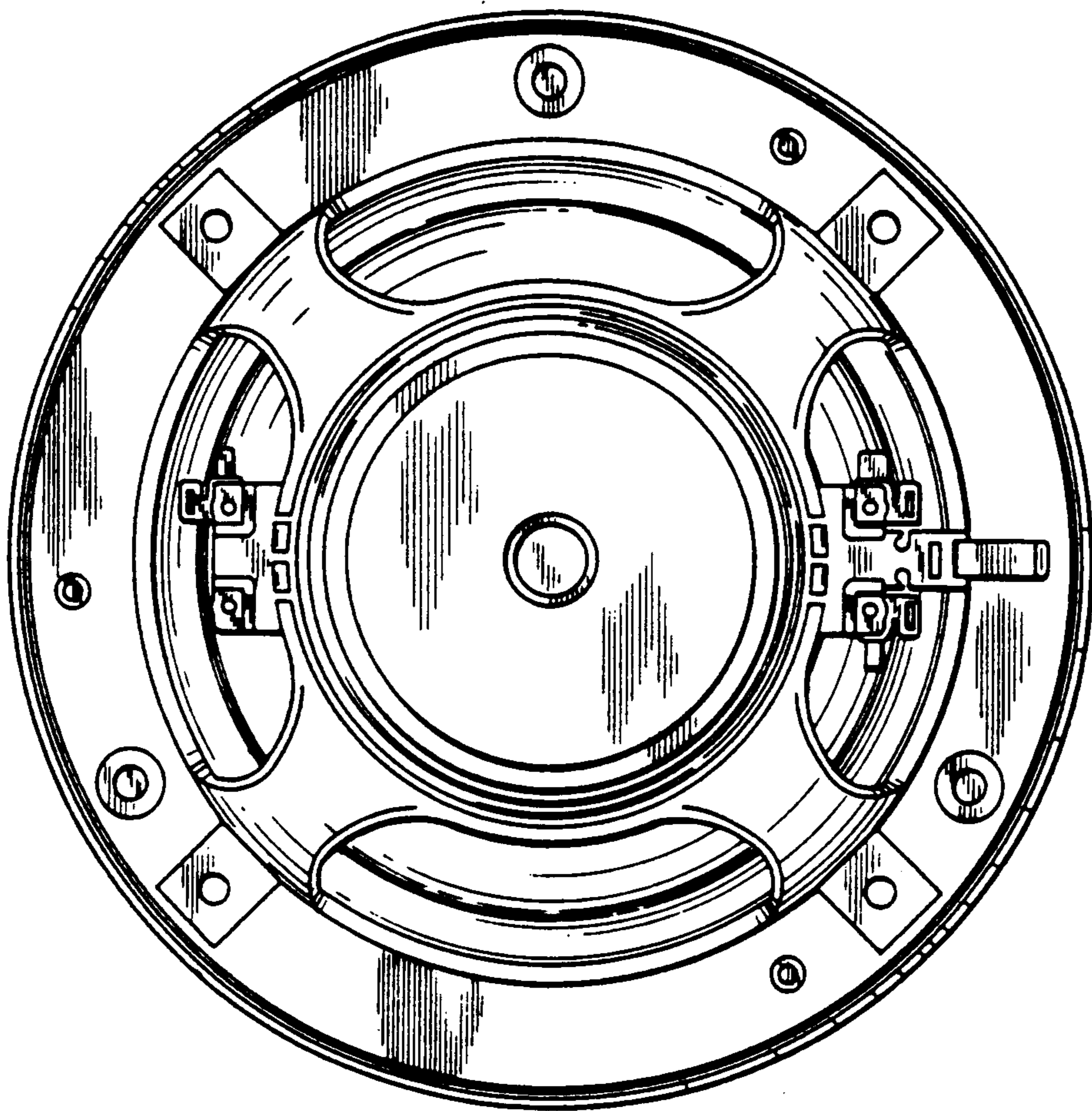


FIG. 6