

[54] WRIST RECORDER

[75] Inventor: Barry Wingate, San Jose, Calif.

[73] Assignee: Chatter Box, Inc., Santa Clara, Calif.

[\*\*] Term: 14 Years

[21] Appl. No.: 530,986

[22] Filed: May 31, 1990

[52] U.S. Cl. .... D14/167; D14/165; D14/192

[58] Field of Search ..... D14/160-161, D14/163-165, 167, 188-189, 191-192, 197, 299; D21/111-113; 446/26; D10/30-31, 33; 369/31

[56] References Cited

U.S. PATENT DOCUMENTS

- D. 258,433 3/1981 Bulmash et al. .... D14/192
- D. 262,455 12/1981 Bulmash et al. .... D14/192
- D. 299,138 12/1988 Hampf ..... D14/191
- D. 306,589 3/1990 Murayama ..... D14/165
- D. 310,523 9/1990 Hino et al. .... D14/192

FOREIGN PATENT DOCUMENTS

2560059 8/1985 France ..... 446/26

OTHER PUBLICATIONS

Hong Kong Enterprise; 7/88; p. 273; bottom right.  
Hong Kong Enterprise; 11/85; p. 39; bottom left #8509.

Primary Examiner—Theodore M. Shooman  
Attorney, Agent, or Firm—Sterne, Kessler, Goldstein & Fox

[57] CLAIM

The ornamental design for a wrist recorder, as shown and described.

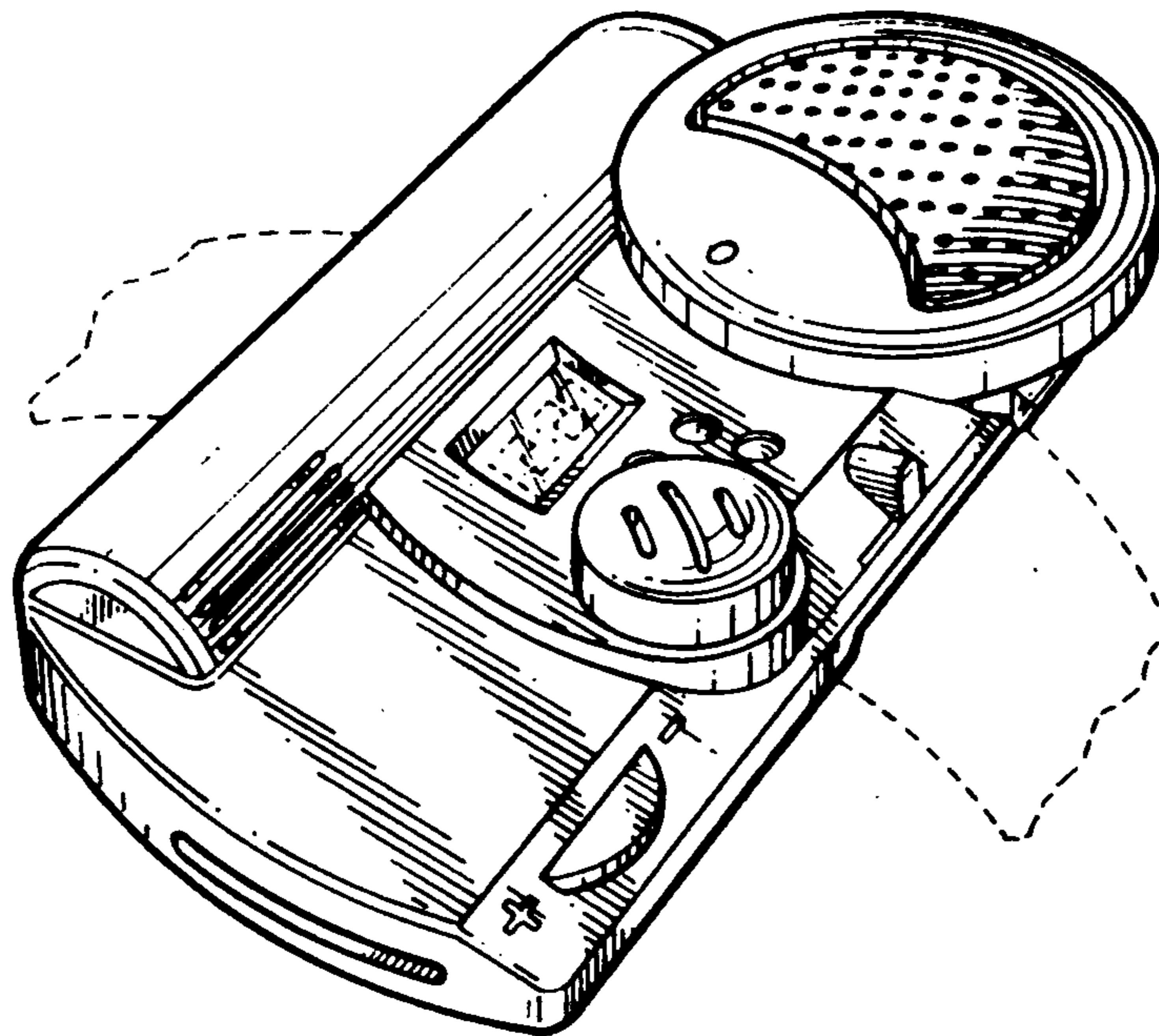
DESCRIPTION

FIG. 1 is a top, front and left side perspective view of a wrist recorder showing my new design;

FIG. 2 is a bottom, rear and right side perspective view thereof; and

FIG. 3 is a top plan view thereof.

The broken line showing of the strap and the displayed time are for environmental purposes only and form no part of the claimed design.



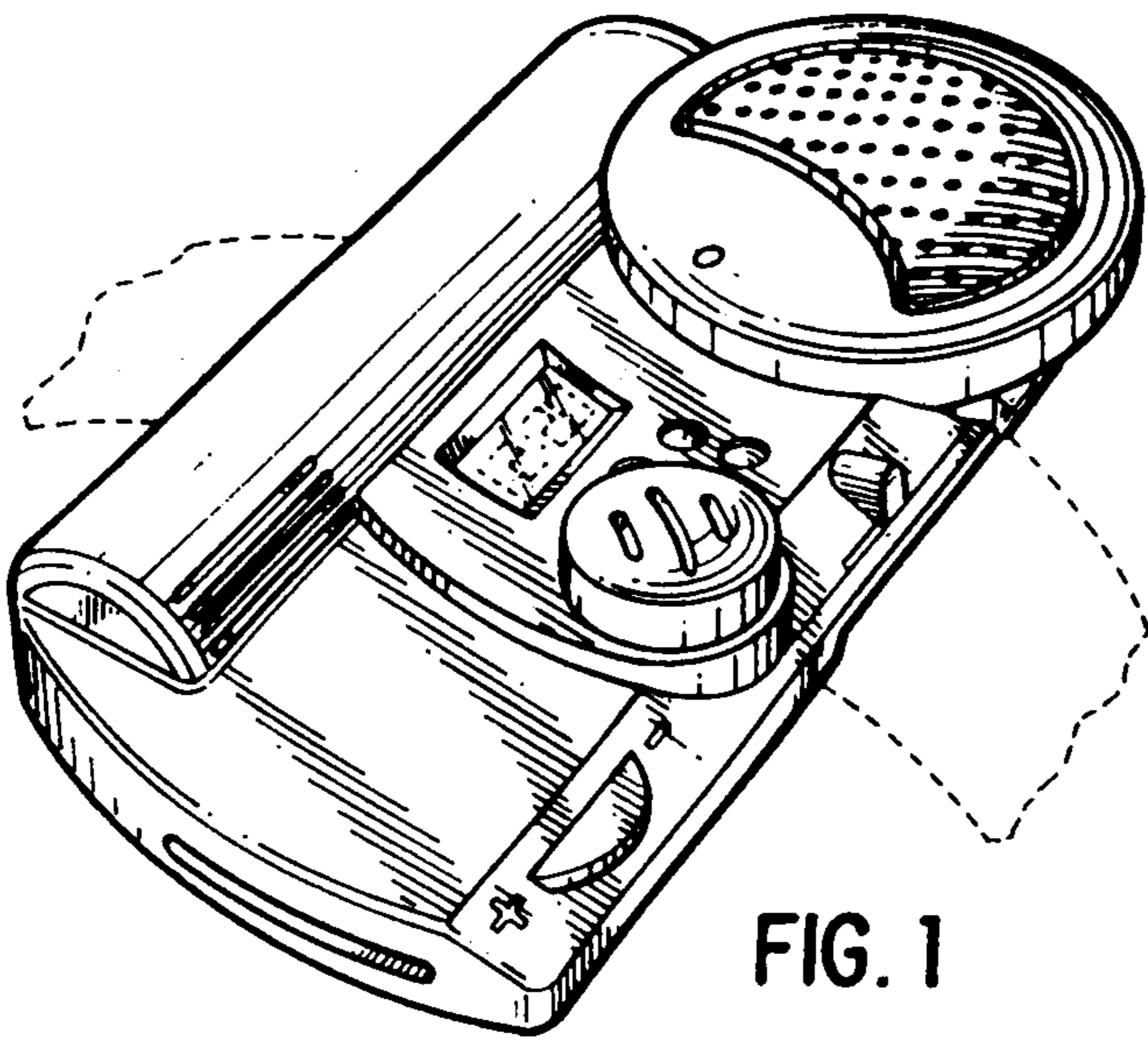


FIG. 1

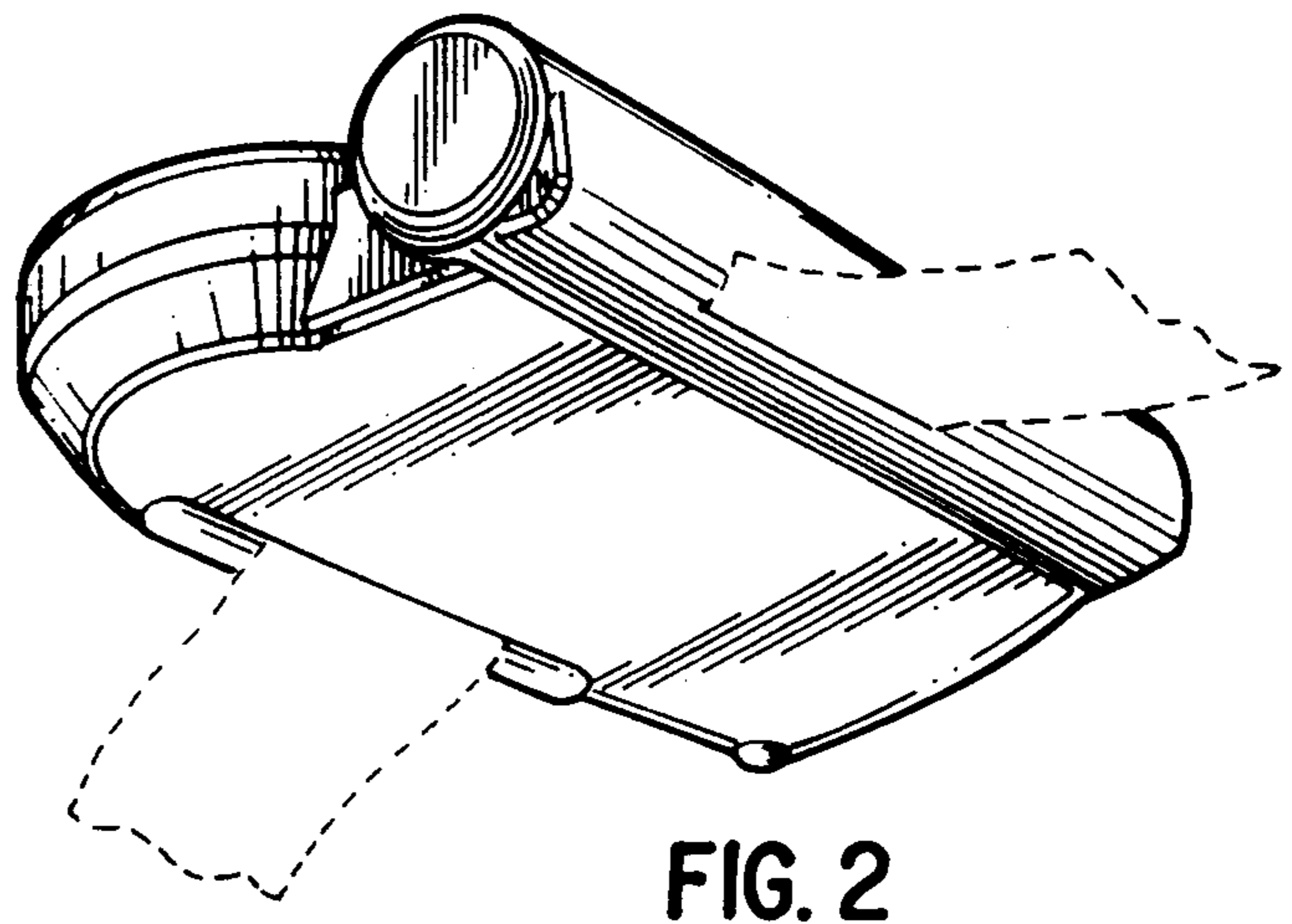


FIG. 2

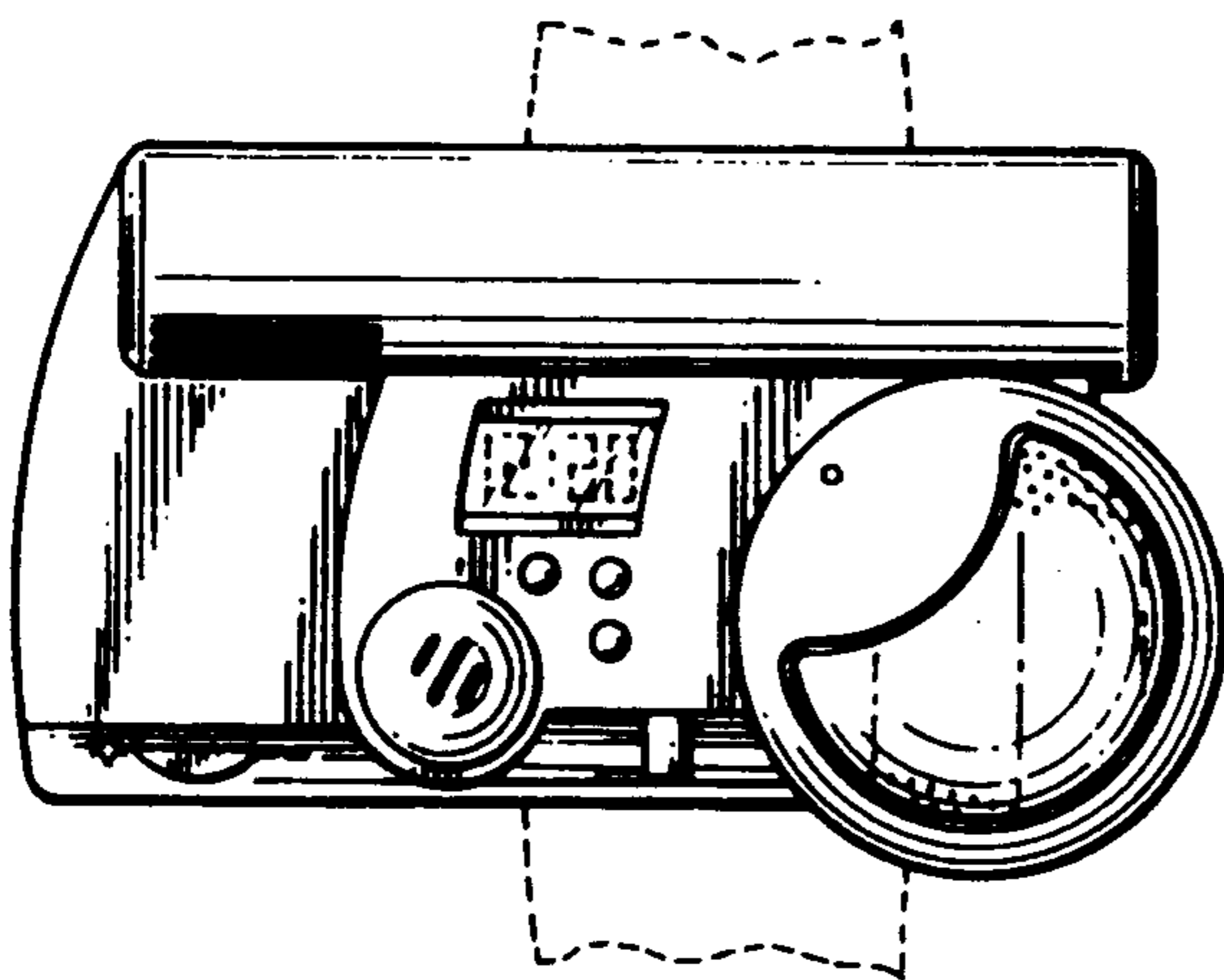


FIG. 3