

[54] REMOTE CABLE CONNECTOR OR SIMILAR ARTICLE

[75] Inventors: William C. Phelps; Alfred D. Meyers, both of Arlington, Tex.

[73] Assignee: Motorola, Inc., Schaumburg, Ill.

[\*\*] Term: 14 Years

[21] Appl. No.: 361,601

[22] Filed: Jun. 5, 1989

[52] U.S. Cl. .... D13/147

[58] Field of Search ..... D13/133, 146, 147; D14/256; 439/359, 367, 369, 418, 474, 502, 638, 660, 727

[56] References Cited

U.S. PATENT DOCUMENTS

- D. 297,530 9/1988 Cooper ..... D13/147
- D. 298,121 10/1988 Furuhashi ..... D13/146
- 4,861,276 8/1989 Muller et al. .... 439/347 X

FOREIGN PATENT DOCUMENTS

- 88/04841 6/1988 World Int. Prop. O. .... 439/610

OTHER PUBLICATIONS

No-Tool Ultra Cable on p. 15 of INMAC Catalog ©1987.  
 Connectors on p. 9 of Global Catalog, Jan. 1988.  
 Apple/Macintosh PC Cables on p. 49 of Global Catalog 1-1988.  
 Computalk Connectors on p. 111 of Misco Catalog, 4-1988.

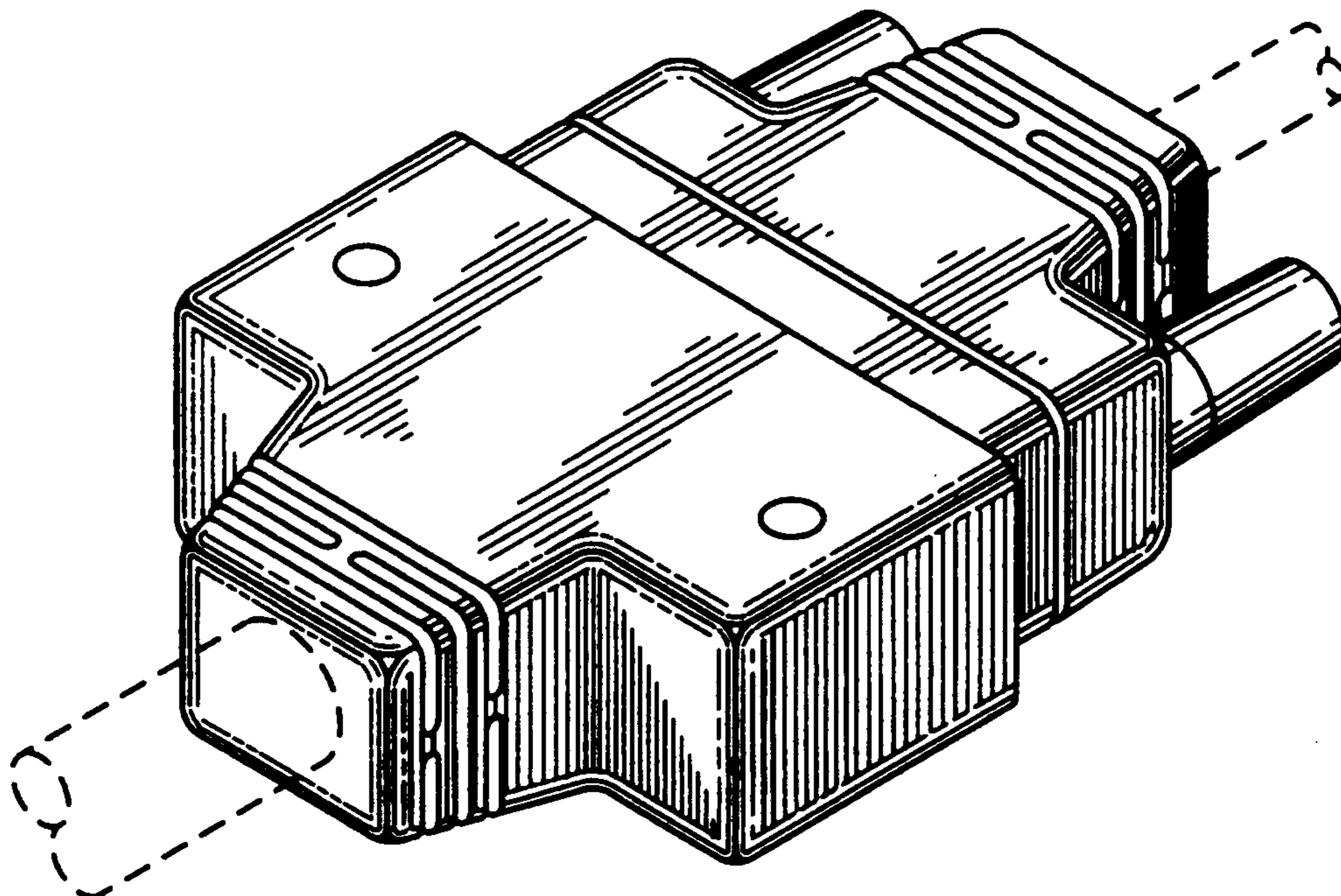
Primary Examiner—Susan J. Lucas  
 Assistant Examiner—J. Sincavage  
 Attorney, Agent, or Firm—Joseph P. Krause

[57] CLAIM

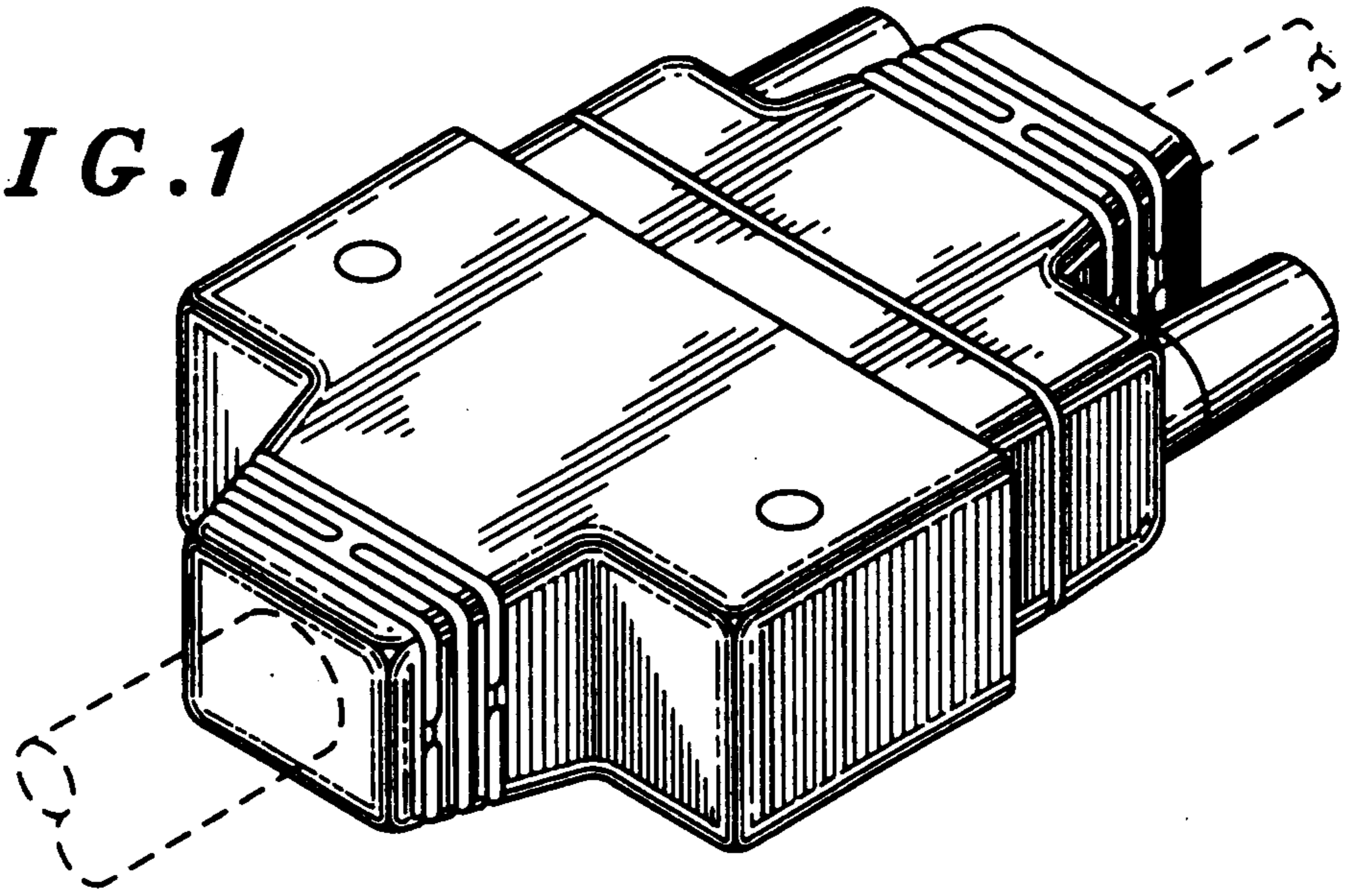
The ornamental design for a remote cable connector or similar article, as shown and described.

DESCRIPTION

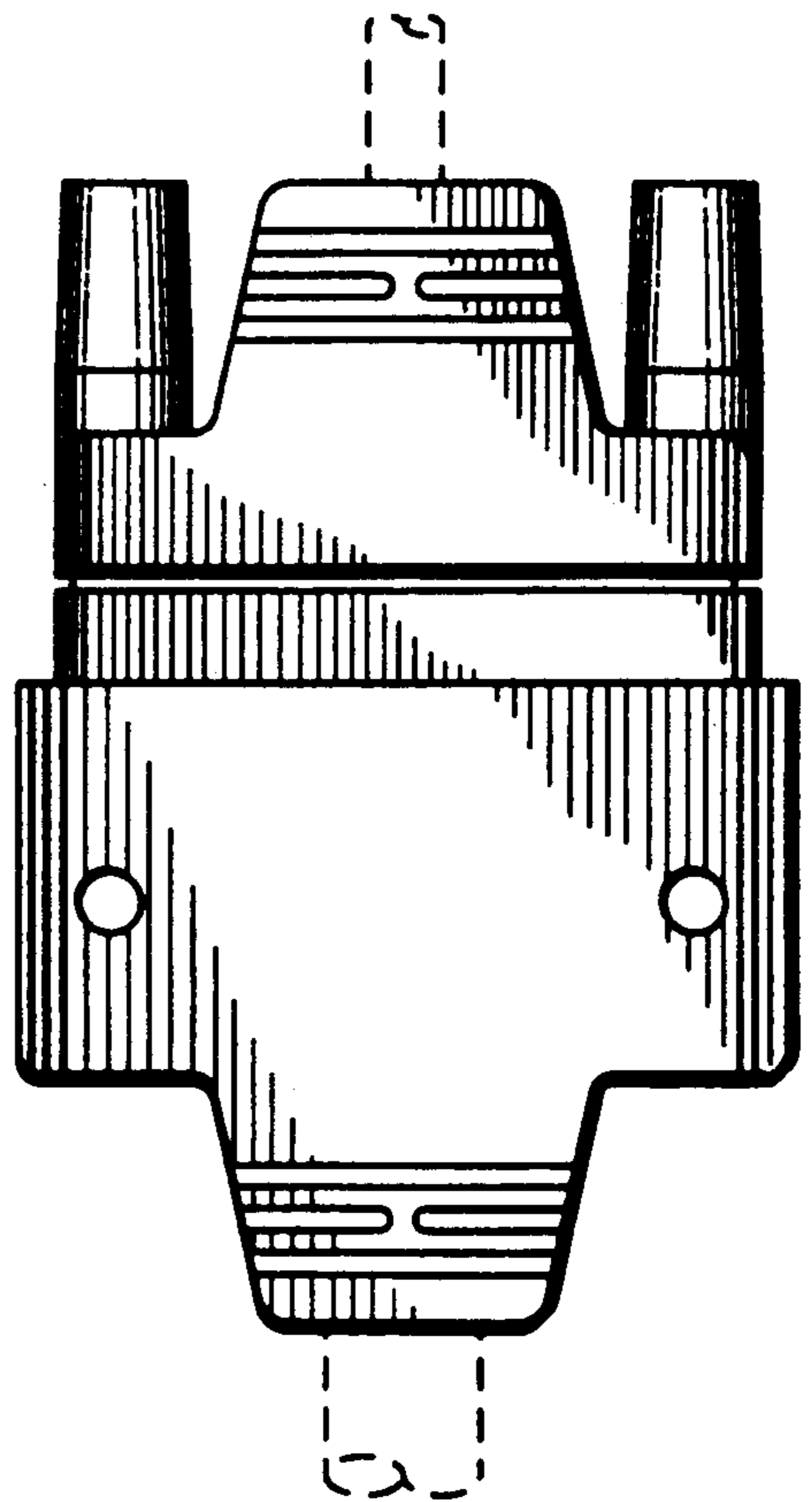
FIG. 1 is an upper right side perspective view of a remote cable connector or similar article showing our new design. The broken line showing is included for the purpose of illustrating environmental elements only and forms no part of the claimed design;  
 FIG. 2 is a left side elevational view thereof, the right side elevational view thereof being a mirror image;  
 FIG. 3 is a top plan view thereof, the bottom plan view thereof being a mirror image;  
 FIG. 4 is a rear end elevational view thereof.



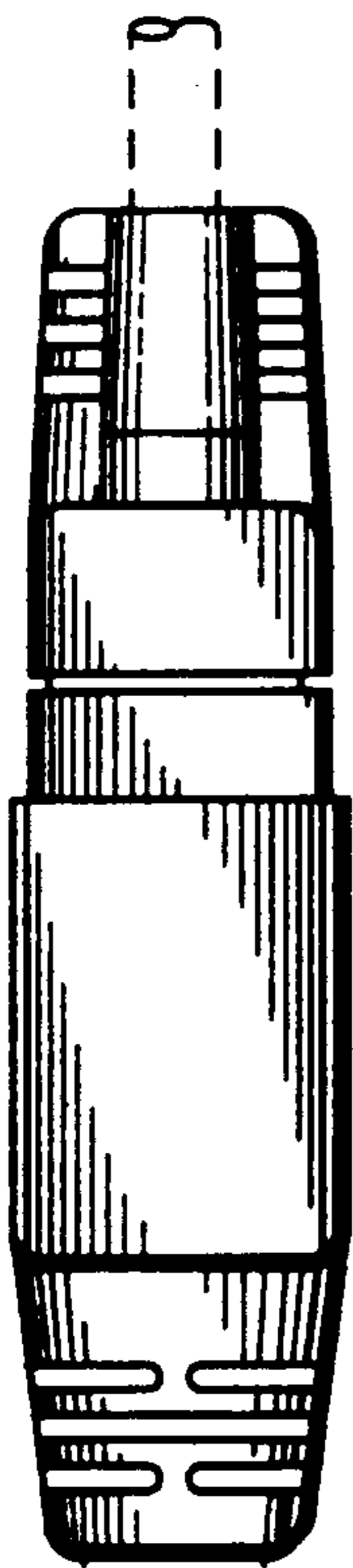
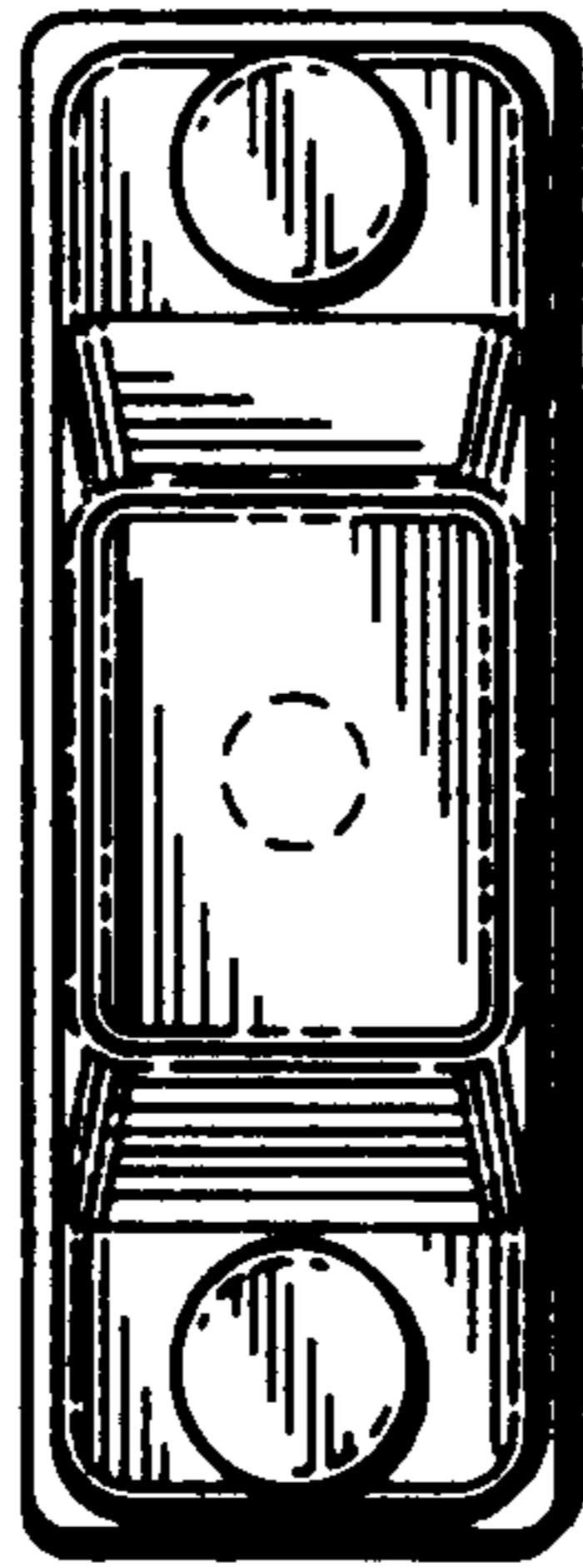
*FIG. 1*



*FIG. 3*



*FIG. 4*



*FIG. 2*