

United States Patent [19]

Kissow et al.

[11] **Patent Number: Des. 317,133**

[45] **Date of Patent: ** May 28, 1991**

[54] **COMBINED RULER AND HOLDER**

[76] **Inventors: Wilhelm Kissow, Hyrdestien 4, Tune, DK 4000 Roskilde; Ernst Kissow, Hjortevaenget 144, DK 5800 Nyborg, both of Denmark**

[**] **Term: 14 Years**

[21] **Appl. No.: 217,479**

[22] **Filed: Jul. 11, 1988**

[30] **Foreign Application Priority Data**

Jan. 12, 1988 [DK] Denmark 42/88
May 31, 1988 [DK] Denmark 684/88
[52] **U.S. Cl.** **D10/71**
[58] **Field of Search** **D10/70, 71; D19/37, D19/38, 39, 40; 33/483, 484, 485, 486, 487, 488, 489, 490, 491, 492, 493, 494; 350/114, 115, 116**

[56] **References Cited**

U.S. PATENT DOCUMENTS

1,170,174 2/1916 Matson 33/485 X
2,375,150 5/1945 Townsend 33/491
4,324,050 4/1982 Weir 33/488
4,757,616 7/1988 Hills 33/488

FOREIGN PATENT DOCUMENTS

684586 3/1965 Italy 350/116

Primary Examiner—Nelson C. Holtje
Assistant Examiner—Antoine D. Davis
Attorney, Agent, or Firm—Felfe & Lynch

[57] **CLAIM**

The ornamental design for a combined ruler and holder, as shown and described.

DESCRIPTION

FIG. 1 is a top, front and right side perspective view of a combined ruler and holder showing our new design; and
FIG. 2 is a bottom, rear and left side perspective view thereof.

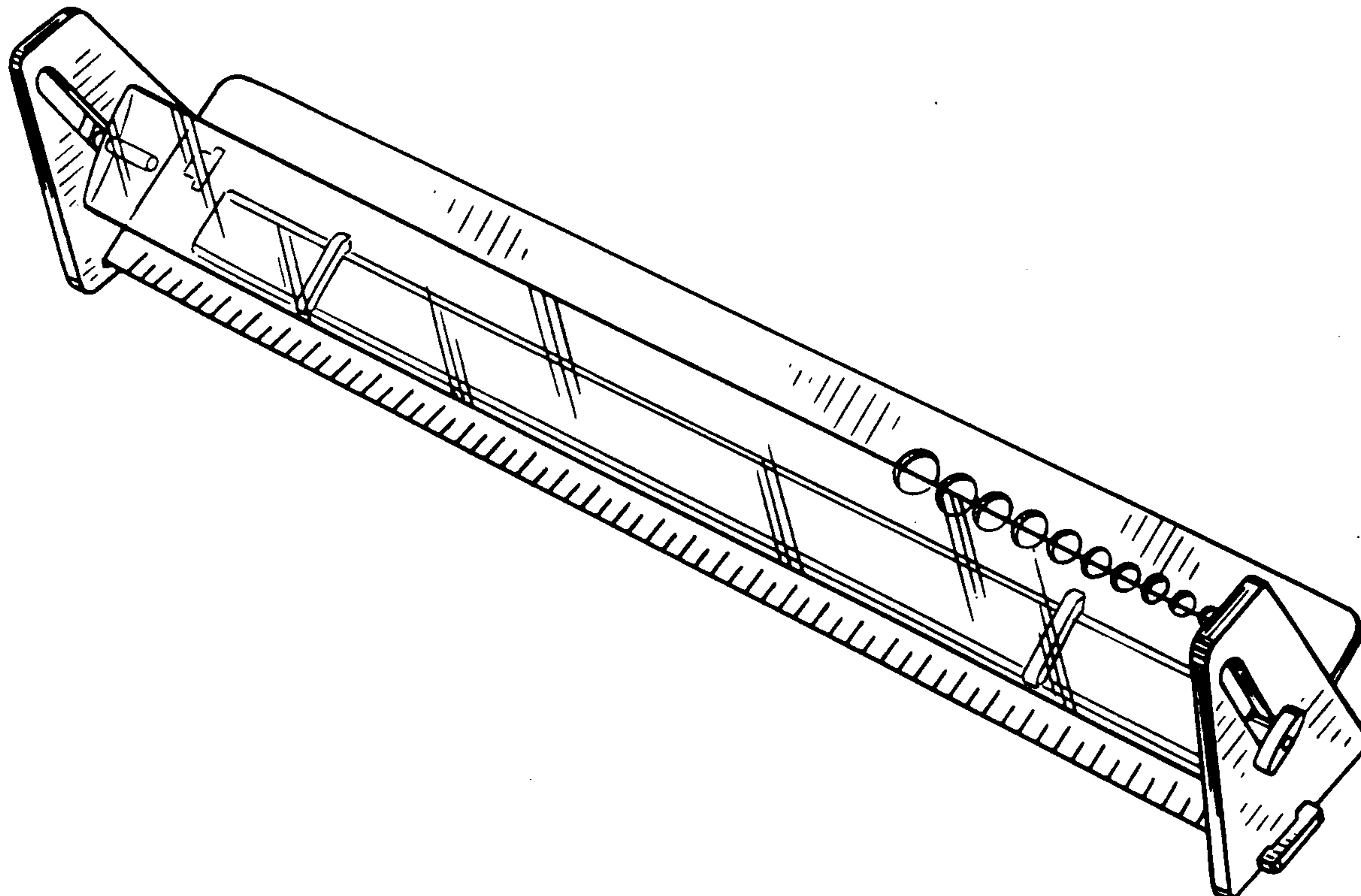
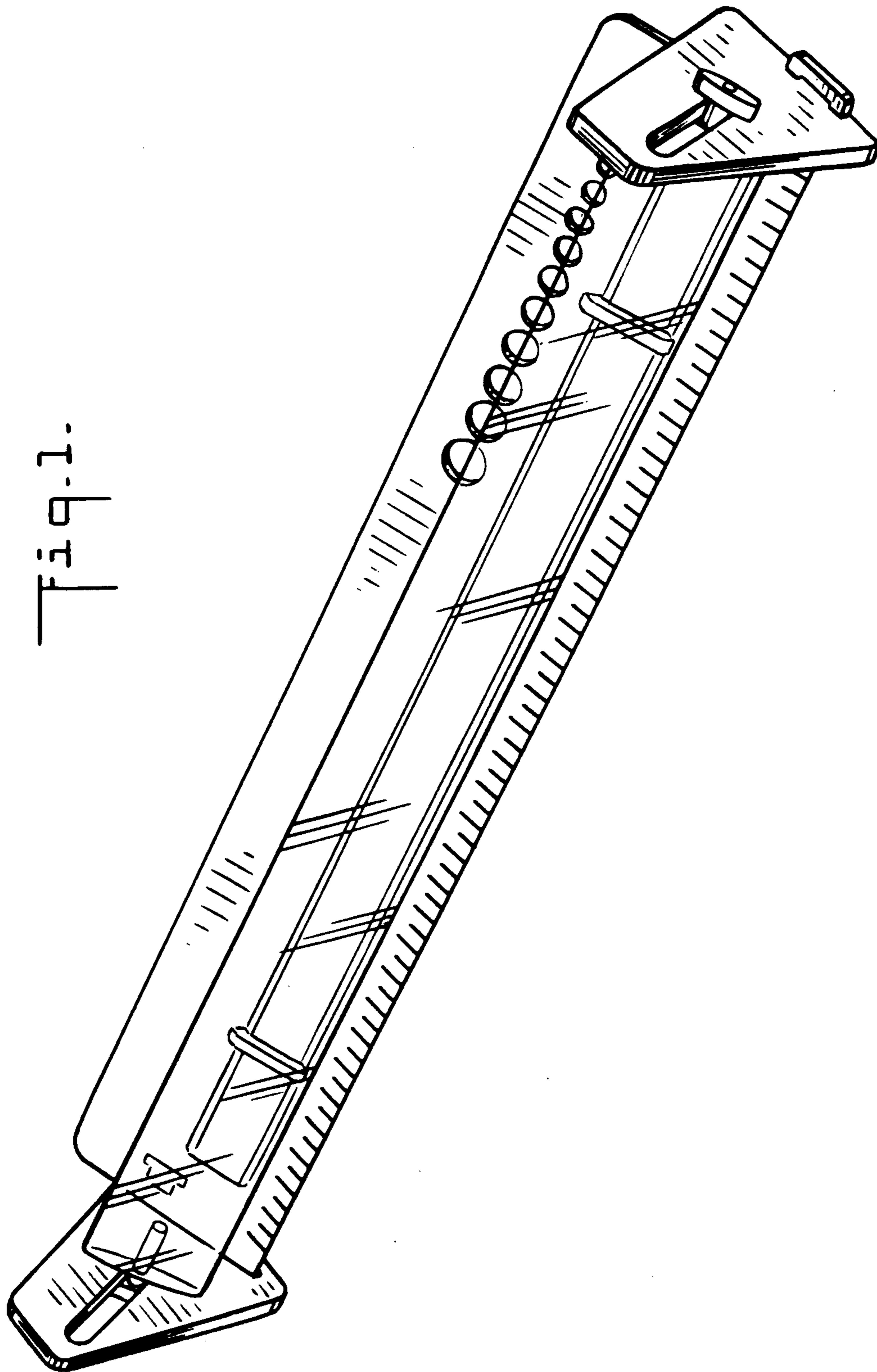


Fig. 1.



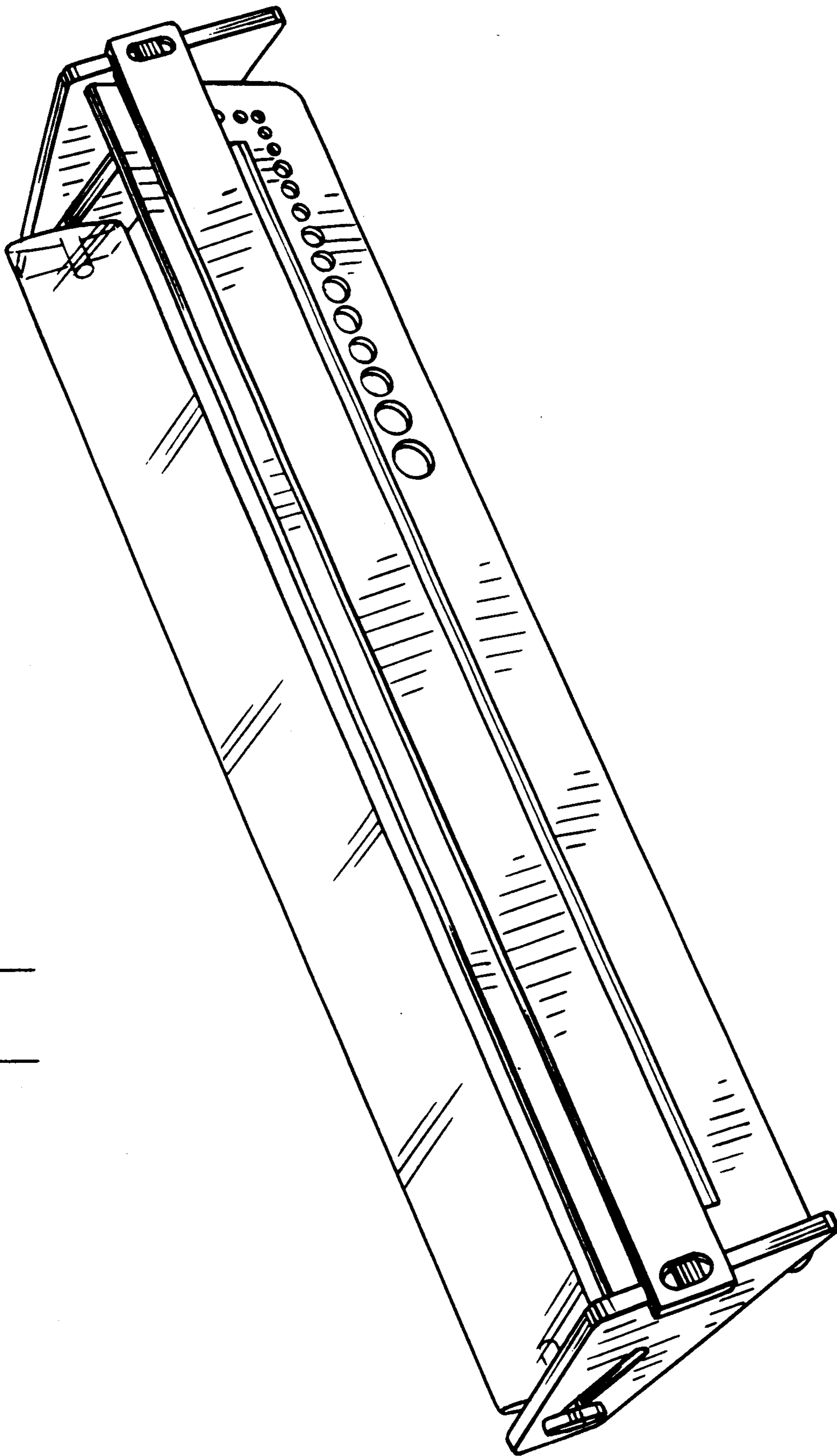


Fig. 2.