

[54] COMBINED CONTAINER AND LID THEREFOR

[76] Inventor: Glenn H. Morris, Sr., 1192 Cumberland Rd., Chattanooga, Tenn. 47319

[**] Term: 14 Years

[21] Appl. No.: 363,947

[22] Filed: Jun. 9, 1989

[52] U.S. Cl. D9/428; D9/435

[58] Field of Search D9/367, 424, 425, 428, D9/431, 435, 447, 452, 454, 385'229; 229/4.5, 1.5 B; 220/4 D, 200, 376, 380; D7/603, 604; 222/189; 215/246, 247, 316, 277

[56] References Cited

U.S. PATENT DOCUMENTS

D. 244,246	5/1977	Daencn	D9/428 X
D. 246,955	1/1978	Davis	D9/452
D. 280,600	9/1985	Earl	D9/352
D. 285,766	9/1986	Zieff	D7/603
D. 309,109	7/1990	Allen	D9/454 X
3,743,133	7/1973	Rathbun	220/380 X
4,184,604	1/1980	Amberg et al.	220/380 X

4,420,093	12/1983	Von Holdt	206/508 X
4,421,244	12/1983	Van Melle	206/508 X
4,817,801	4/1989	Schwaikert	206/508 X

OTHER PUBLICATIONS

Tupperware Cat. 1968, p. 9 top right of the page.
Tupperware Cat. 1977, front page top left of the page.
Tupperware 1977, p. 4 top middle of the page.

Primary Examiner—Bernard Ansher
Assistant Examiner—Prabhakar Deshmukh
Attorney, Agent, or Firm—Brady, O'Boyle & Gates

[57] CLAIM

The ornamental design for a combined container and lid therefor, as shown and described.

DESCRIPTION

FIG. 1 is a perspective view of a combined container and lid therefor showing my new design;
FIG. 2 is a top plan view thereof;
FIG. 3 is a side elevation thereof, showing undisclosed side in FIG. 1;
FIG. 4 is a bottom plan view thereof; and
FIG. 5 is a top plan view of a modified form of FIG. 2 thereof.

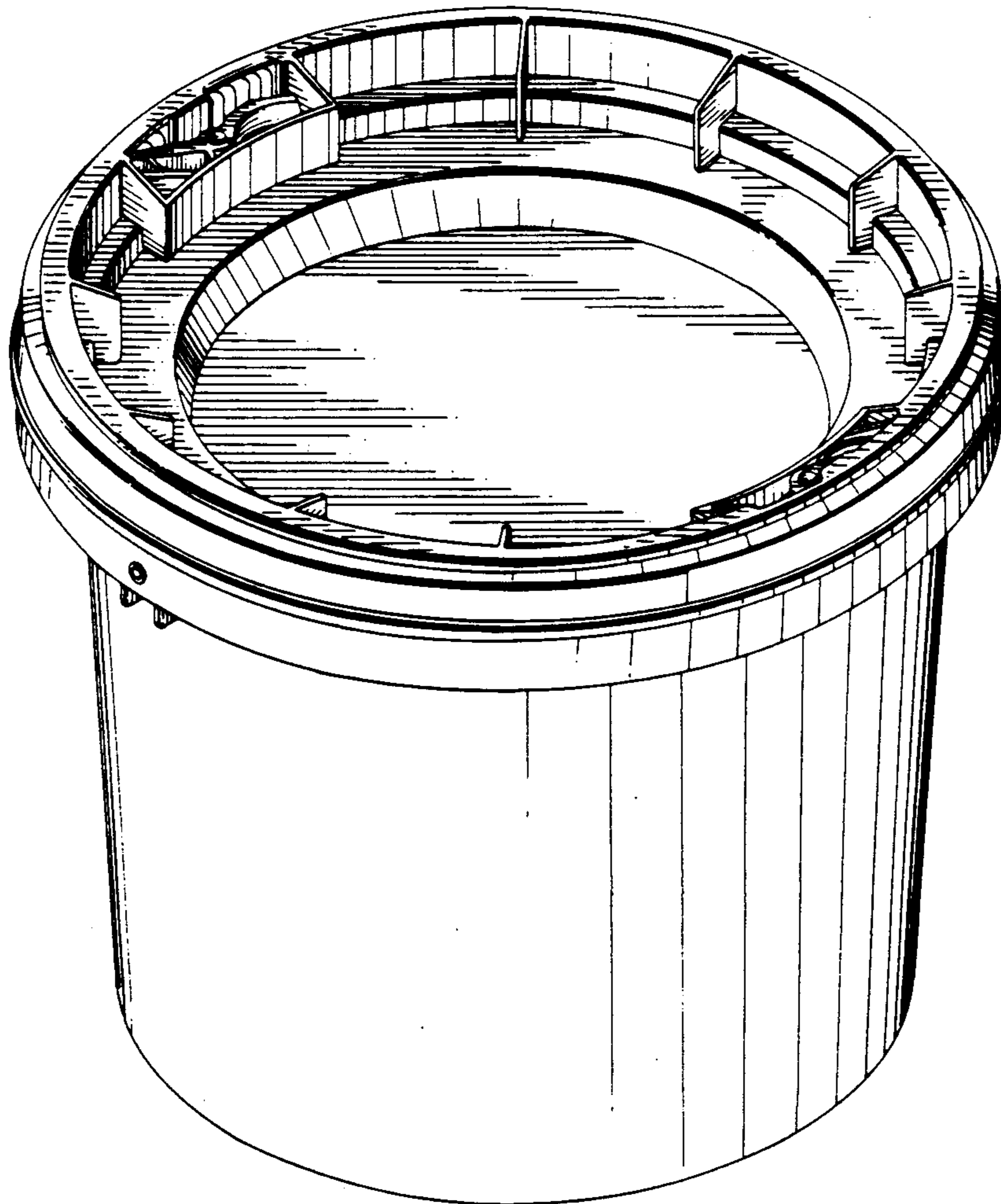
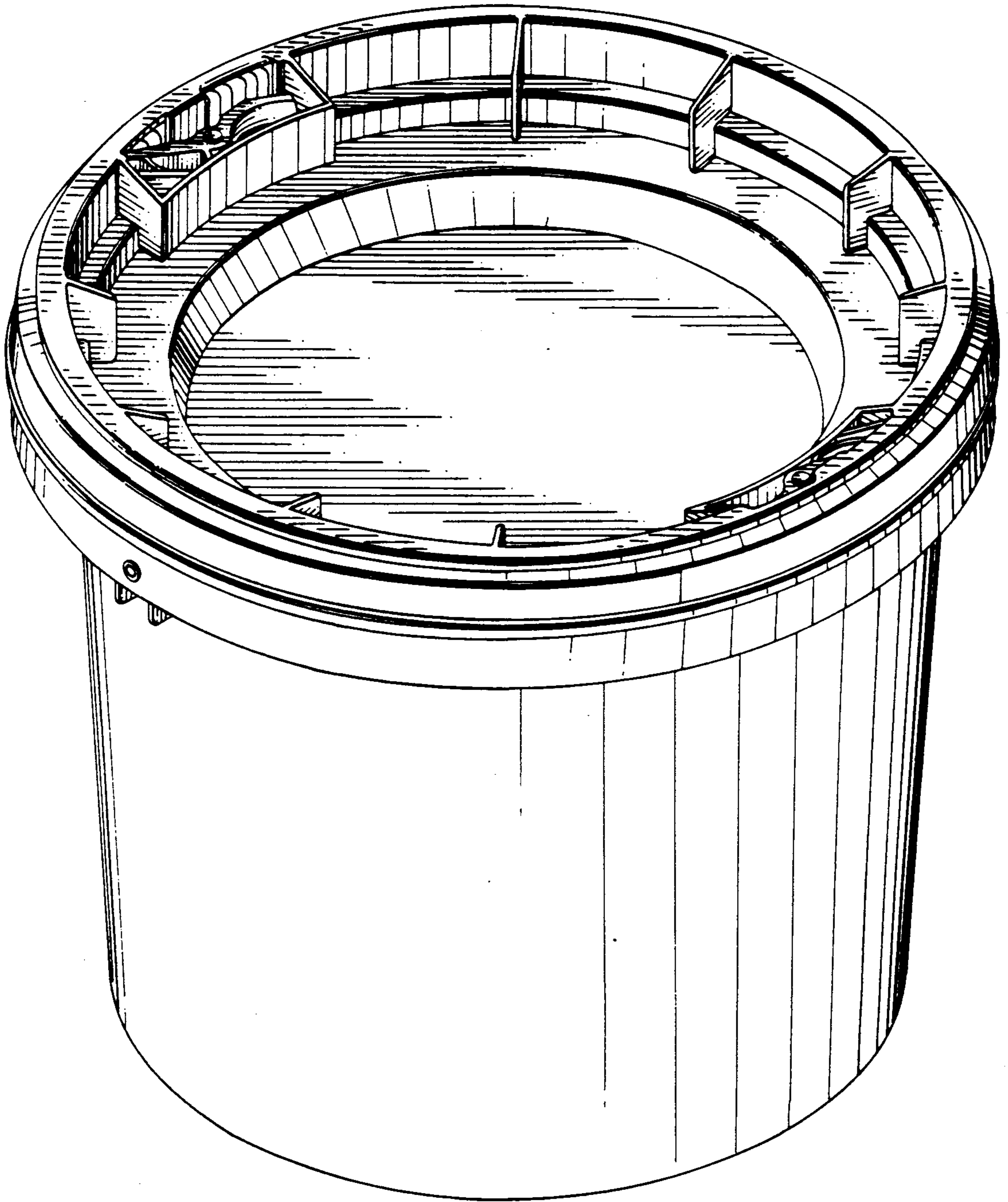


FIG. 1



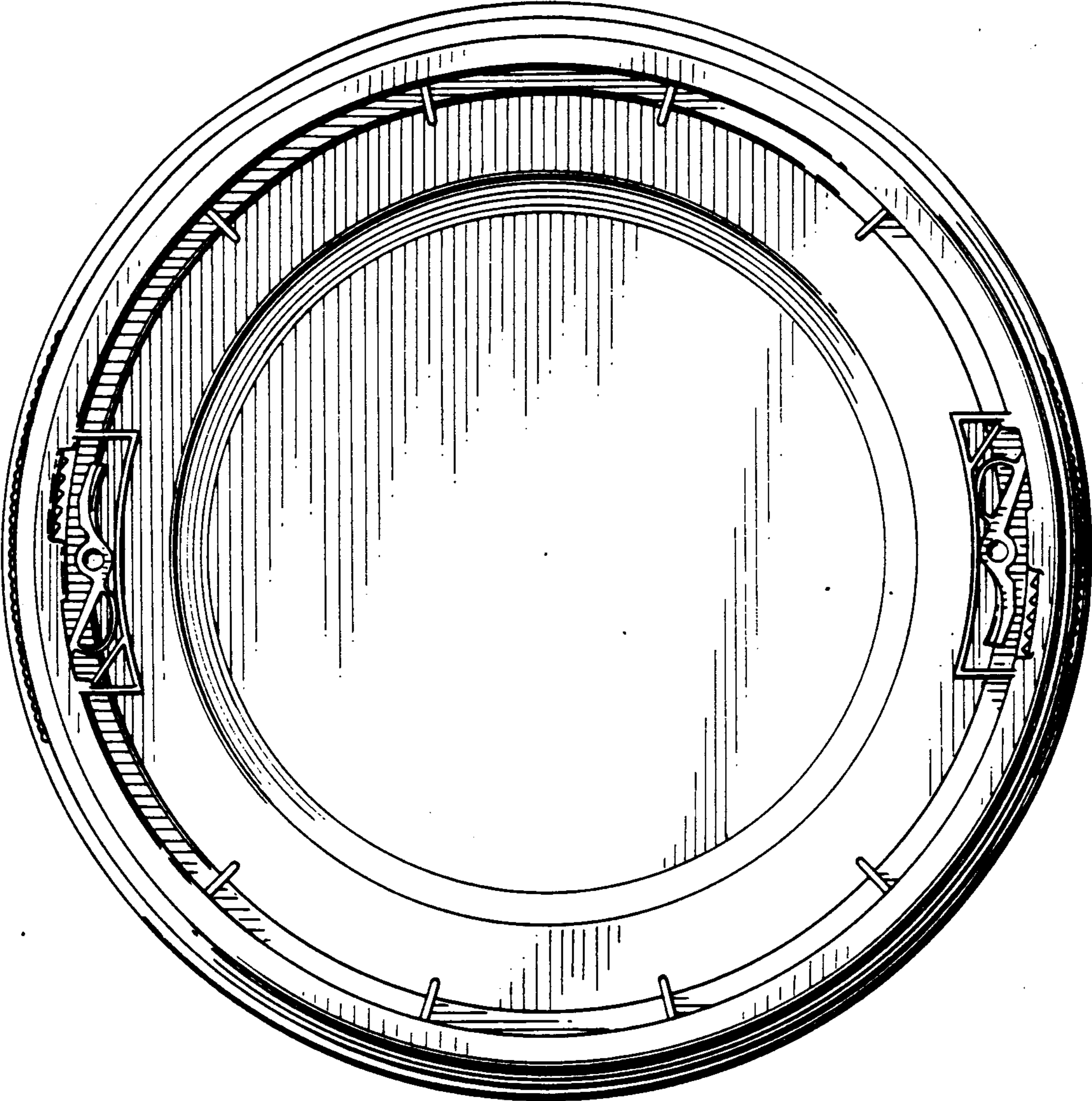


FIG. 2

FIG. 3

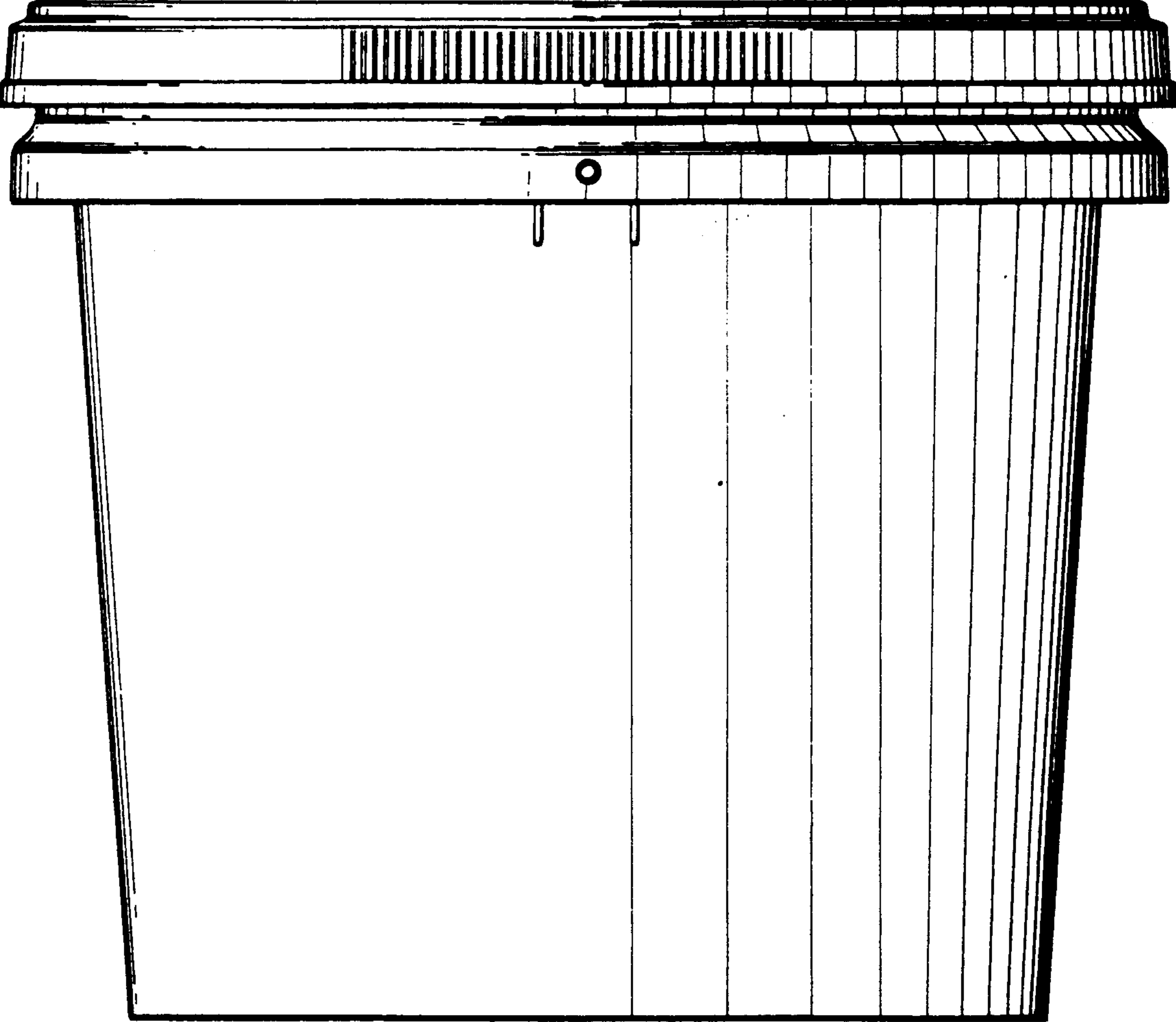
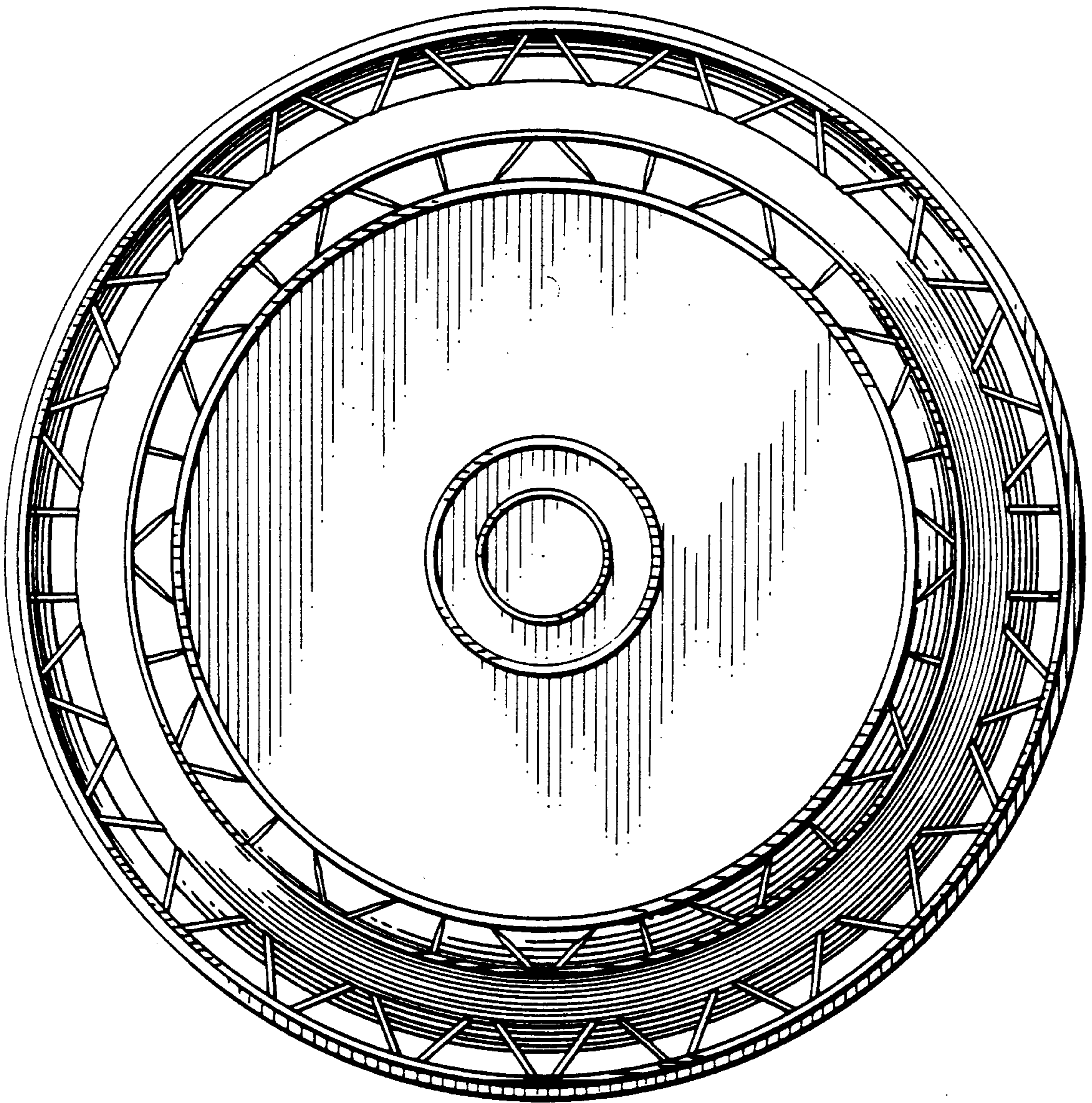


FIG. 4



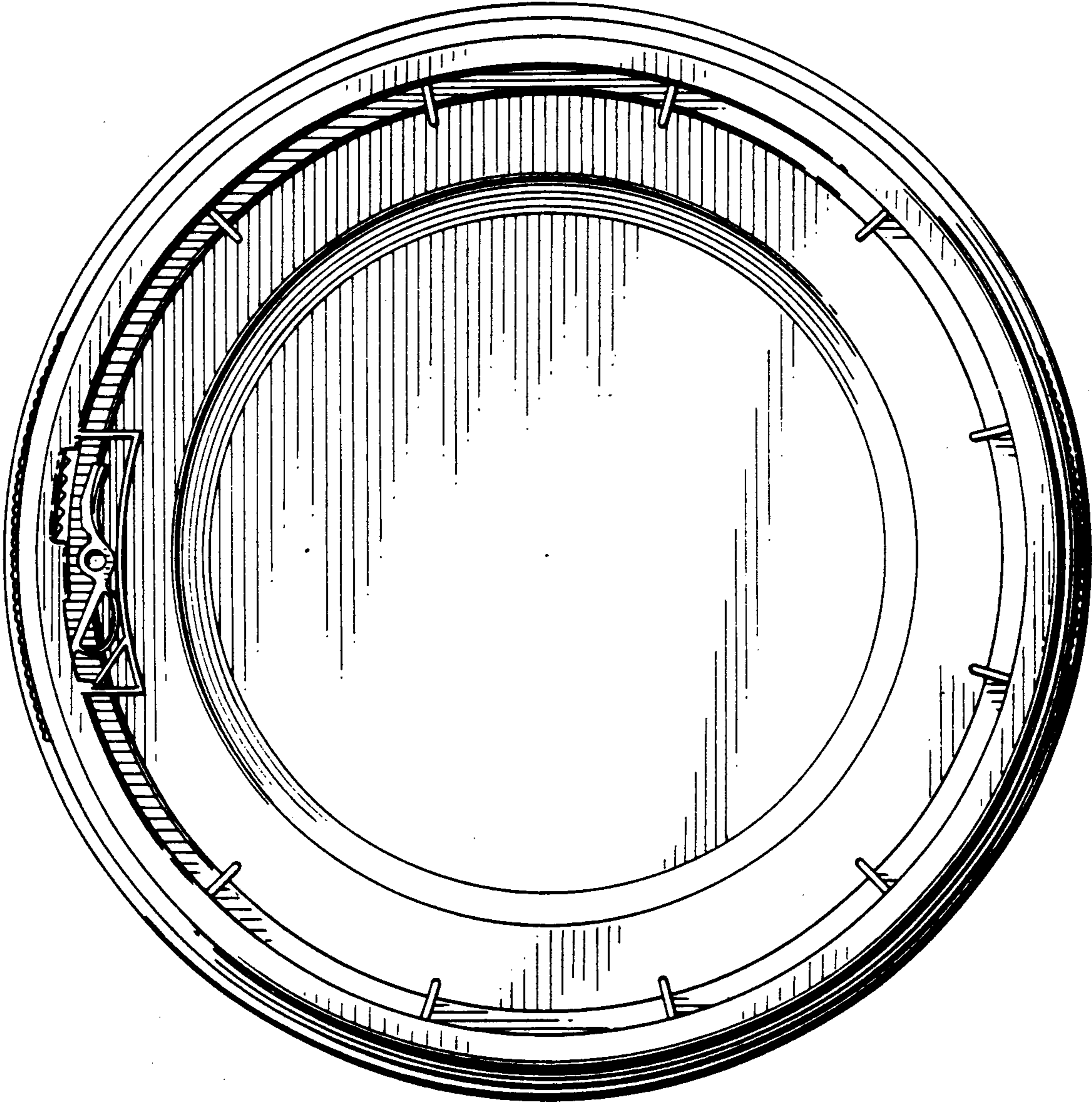


FIG. 5