

[54] HOSE REEL

[75] Inventor: Ronald R. Fowler, Coolville, Ohio

[73] Assignee: O. Ames Co., Parkersburg, W. Va.

[**] Term: 14 Years

[21] Appl. No.: 426,395

[22] Filed: Oct. 25, 1989

[52] U.S. Cl. D8/358

[58] Field of Search 239/195, 722; D8/358, D8/359; 242/86; D23/137

[56] References Cited

U.S. PATENT DOCUMENTS

D. 211,531	6/1968	Elmslie	D8/359
D. 240,192	7/1974	Balmer, Jr.	D8/358 X
1,046,909	12/1912	Wagner	239/195
1,769,342	7/1930	Hall	239/195 X
1,971,165	8/1934	Parker	242/86
2,823,074	2/1958	Bernard, Jr.	242/86
2,935,996	5/1960	Anderson	239/195

3,899,132 8/1975 Grobbelaar 242/86 X

Primary Examiner—Wallace R. Burke

Assistant Examiner—Holly H. Baynham

Attorney, Agent, or Firm—Cushman, Darby & Cushman

[57] CLAIM

The ornamental design for a hose reel, as shown and described.

DESCRIPTION

FIG. 1 is a perspective view of a hose reel showing my new design;

FIG. 2 is a top plan view with the bottom plan view being a mirror image thereof;

FIG. 3 is a front elevational view with the rear elevational view being a mirror image thereof;

FIG. 4 is a right side elevational view thereof; and

FIG. 5 is a left side elevational view thereof.

The broken line showing of hose reel cart is for illustrative purposes only and forms no part of the claimed design.

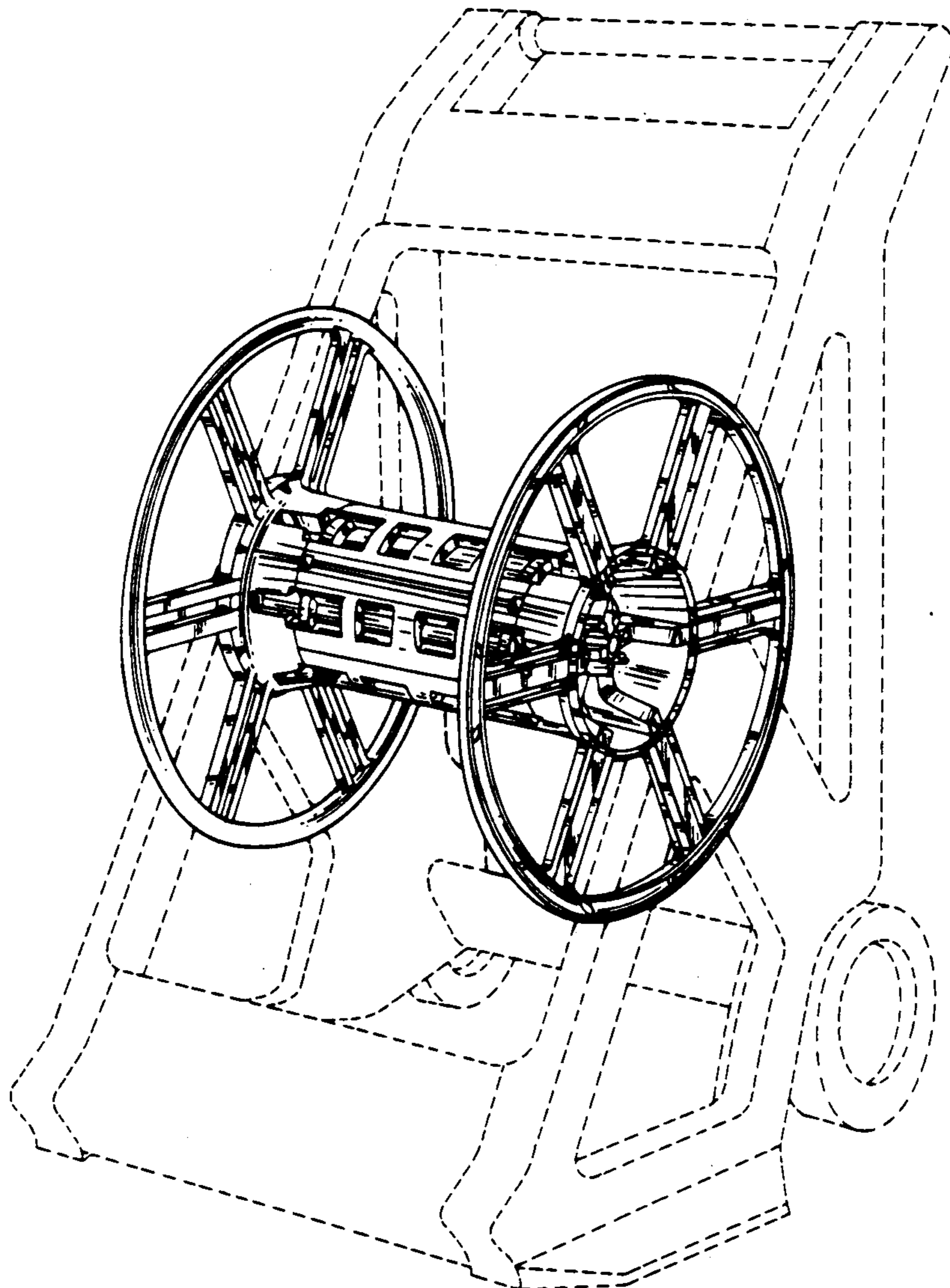


Fig. 1

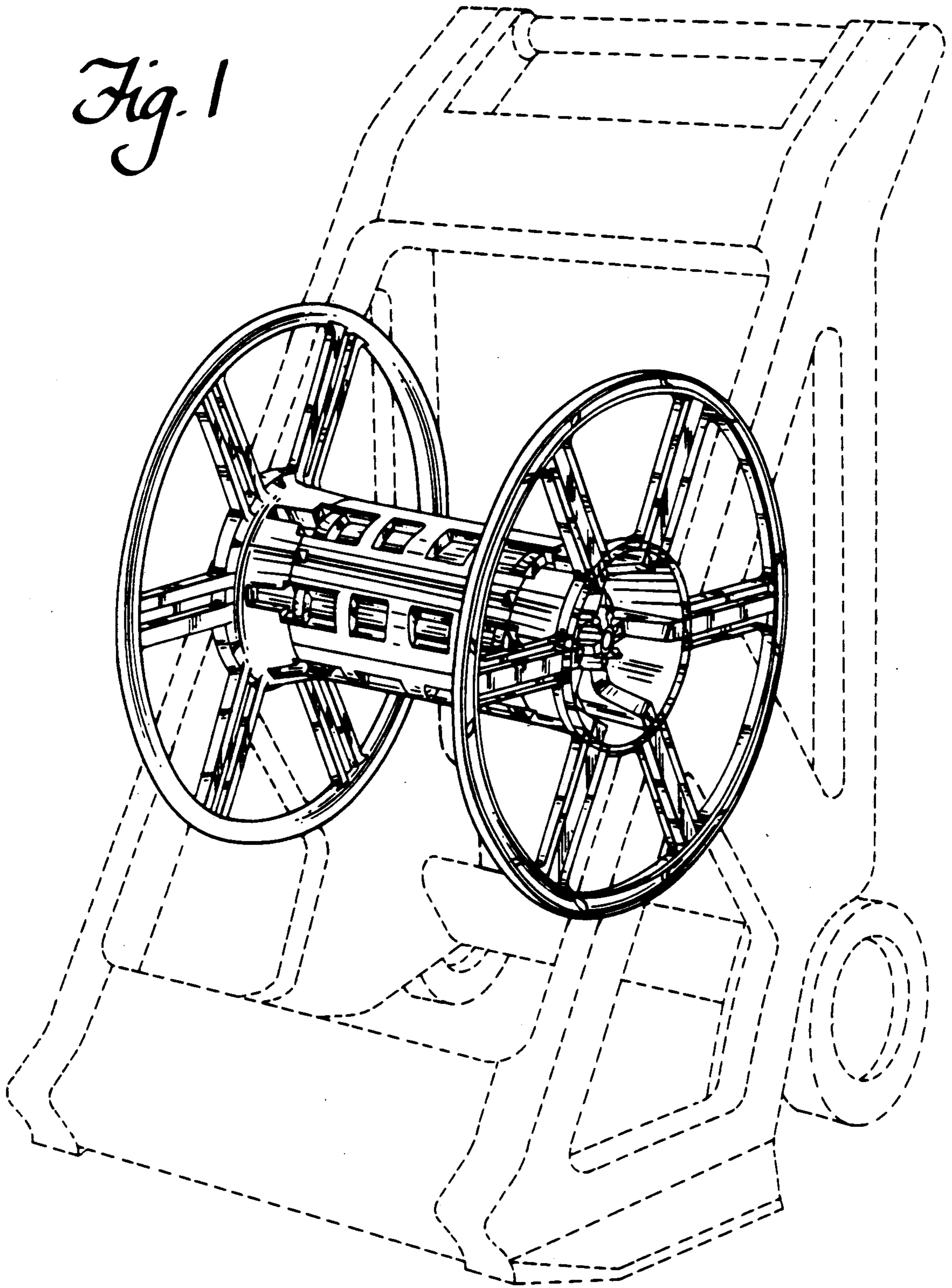


Fig. 2

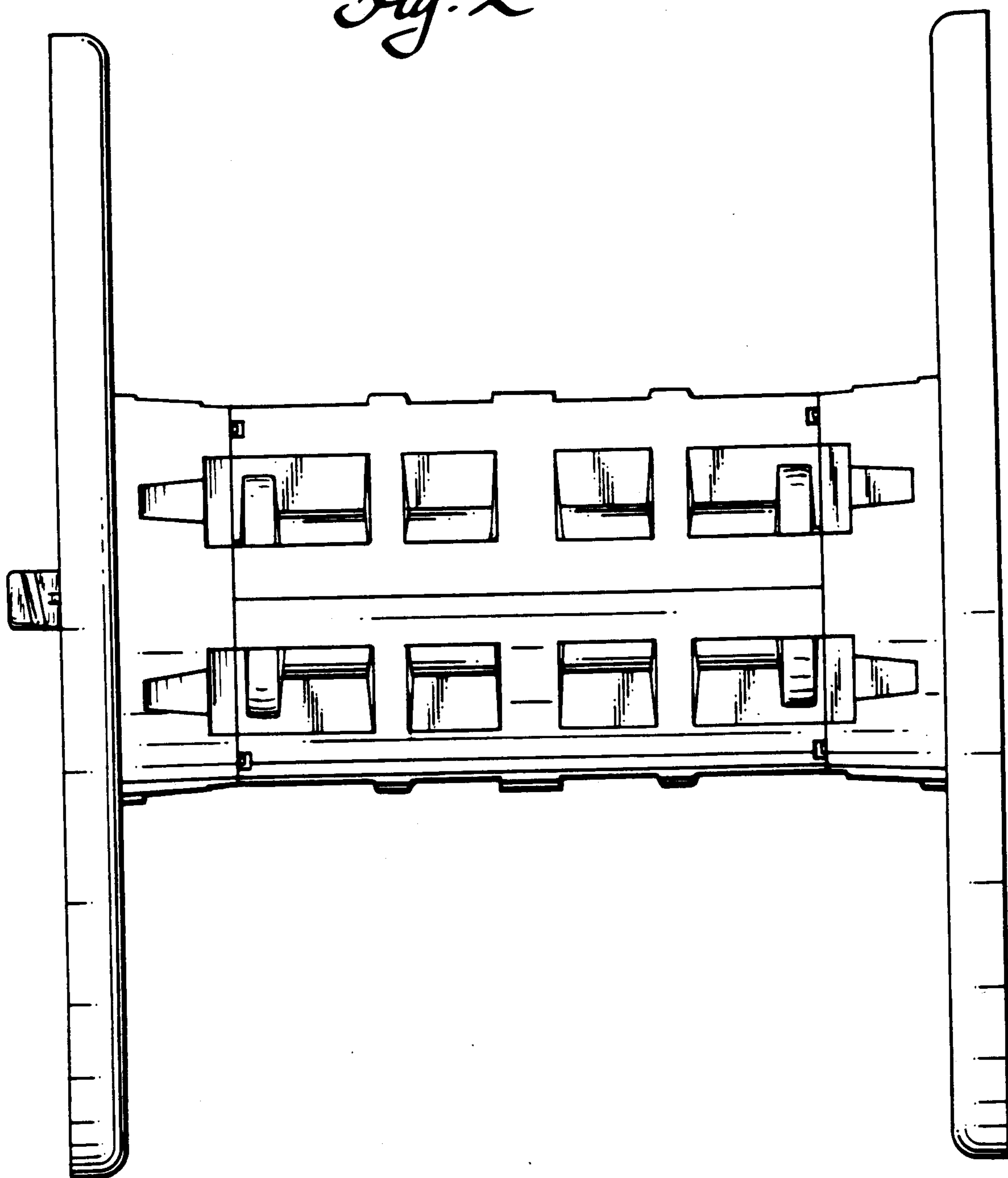
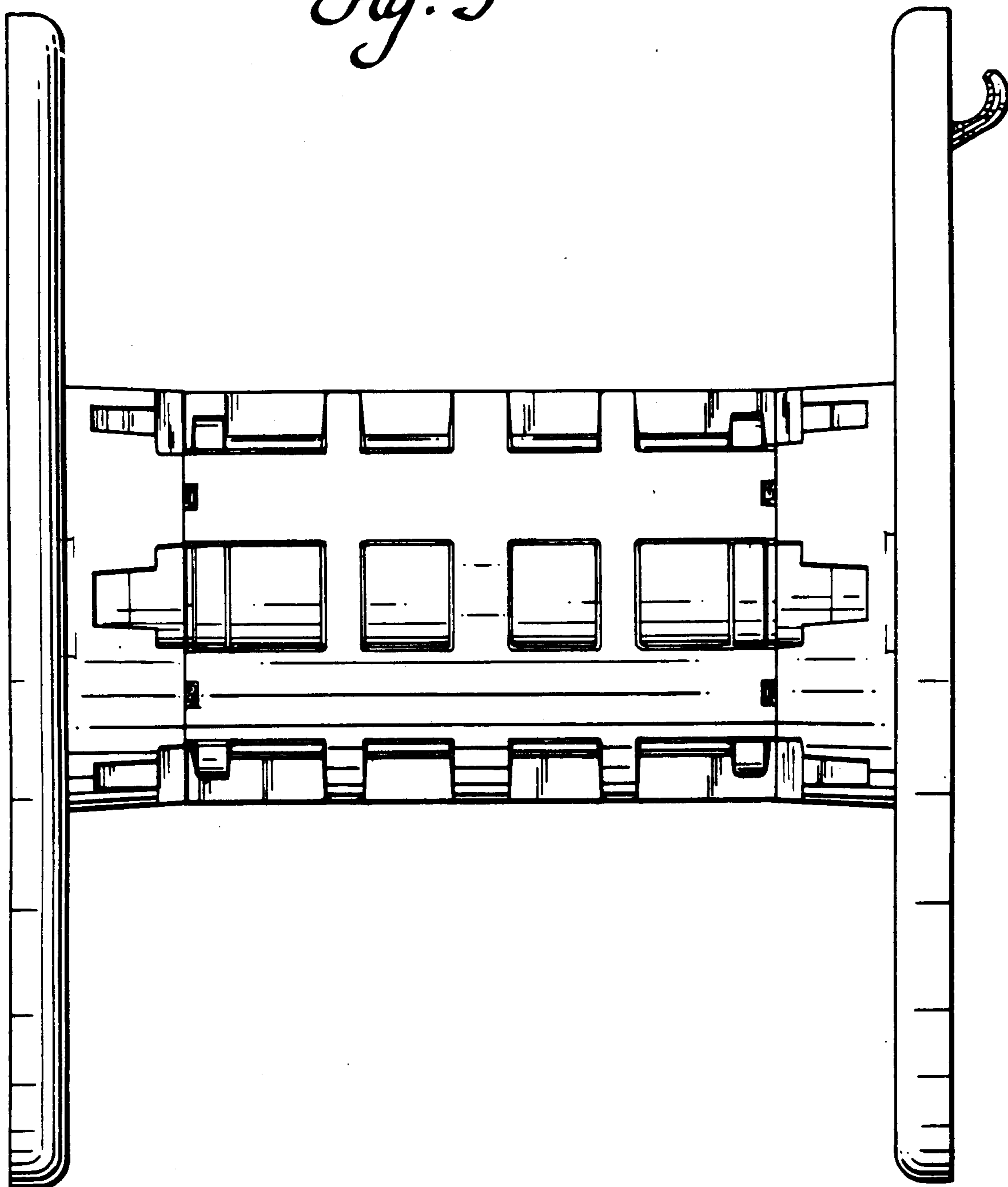


Fig. 3



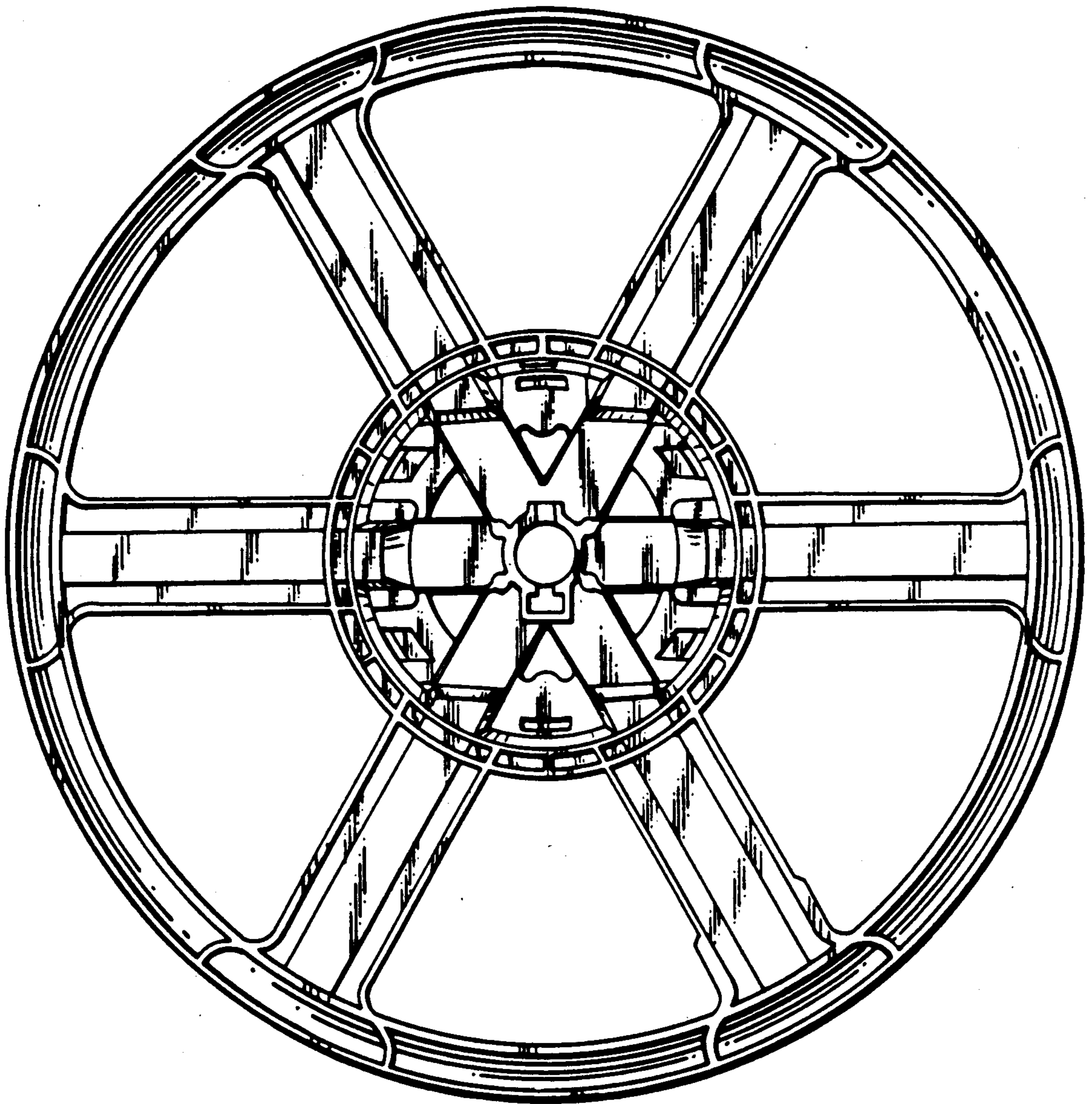


Fig. 4

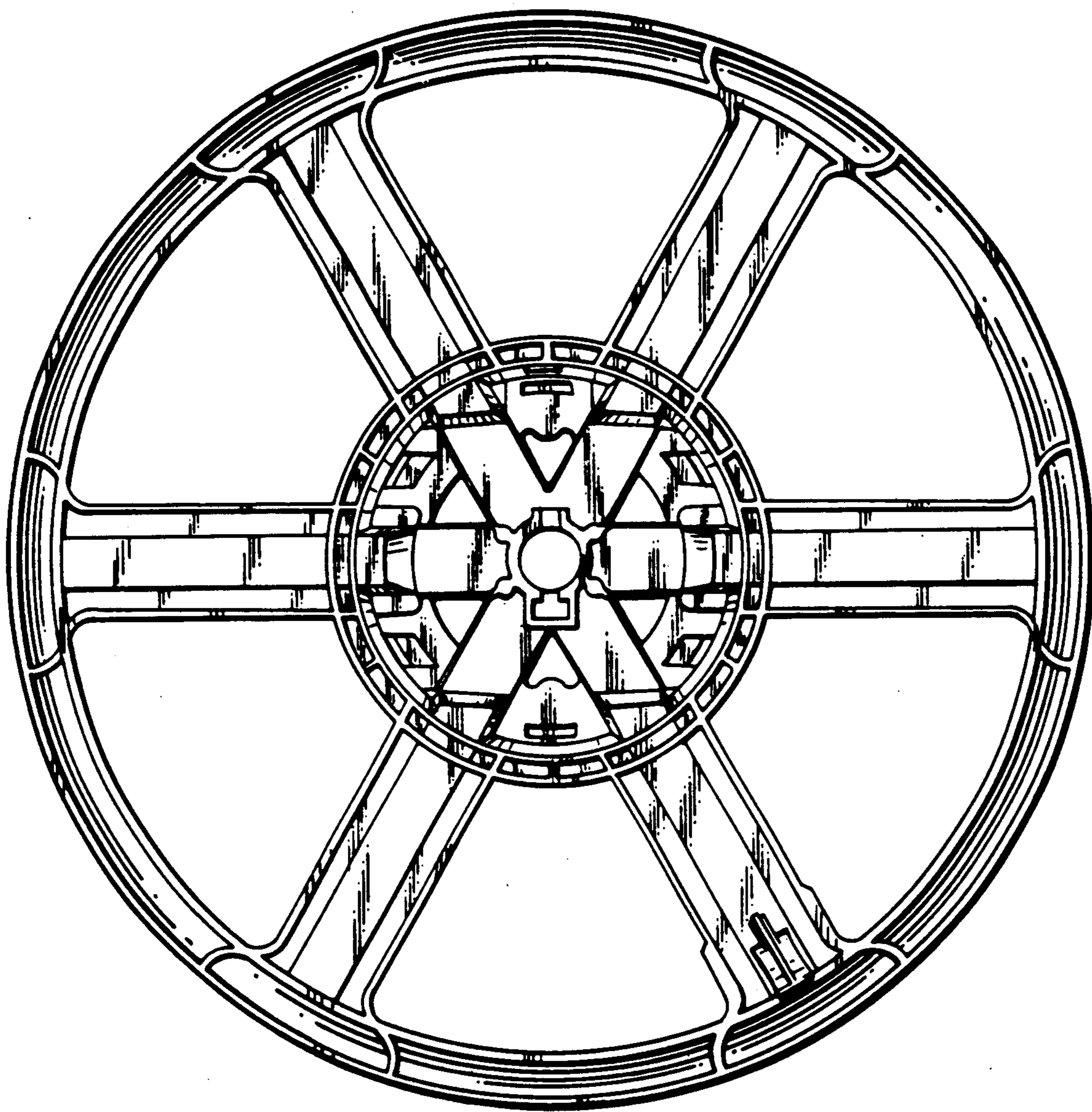


Fig. 5