

[54] COMBINED TELEPHONE BLOCK SUPPORT AND WIRE GUIDE

[75] Inventors: Helmuth Newirth, Garden City; Carl Meyerhoefer, Dix Hills, both of N.Y.

[73] Assignee: Porta Systems Corp., Syosset, N.Y.

[**] Term: 14 Years

[21] Appl. No.: 345,650

[22] Filed: May 1, 1989

[52] U.S. Cl. D8/356; D8/373; D8/380

[58] Field of Search D8/356, 373, 380; 439/719, 714; D6/552

[56] References Cited

U.S. PATENT DOCUMENTS

- D. 138,739 9/1944 Harris D8/300 X
- D. 139,568 11/1944 Hinchman D8/380 X
- D. 171,224 12/1953 Pfaff D8/356

- D. 188,221 6/1960 Maro D8/373 X
- D. 222,483 10/1971 Plath D6/552
- D. 228,737 10/1973 Mathews D8/356
- D. 261,960 11/1981 Mathews D8/356
- D. 308,629 6/1990 Bush D8/373
- 4,049,126 9/1977 Halverson D6/552 X

Primary Examiner—Wallace R. Burke
Assistant Examiner—Holly H. Baynham
Attorney, Agent, or Firm—Charles E. Temko

[57] CLAIM

The ornamental design for a combined telephone block support and wire guide, as shown and described.

DESCRIPTION

FIG. 1 is a top plan view of a combined telephone block support and wire guide showing our new design; FIG. 2 is a front elevational view thereof; FIG. 3 is a rear elevational view thereof; FIG. 4 is a bottom plan view thereof; FIG. 5 is a right side elevational view thereof; FIG. 6 is a left side elevational view thereof.

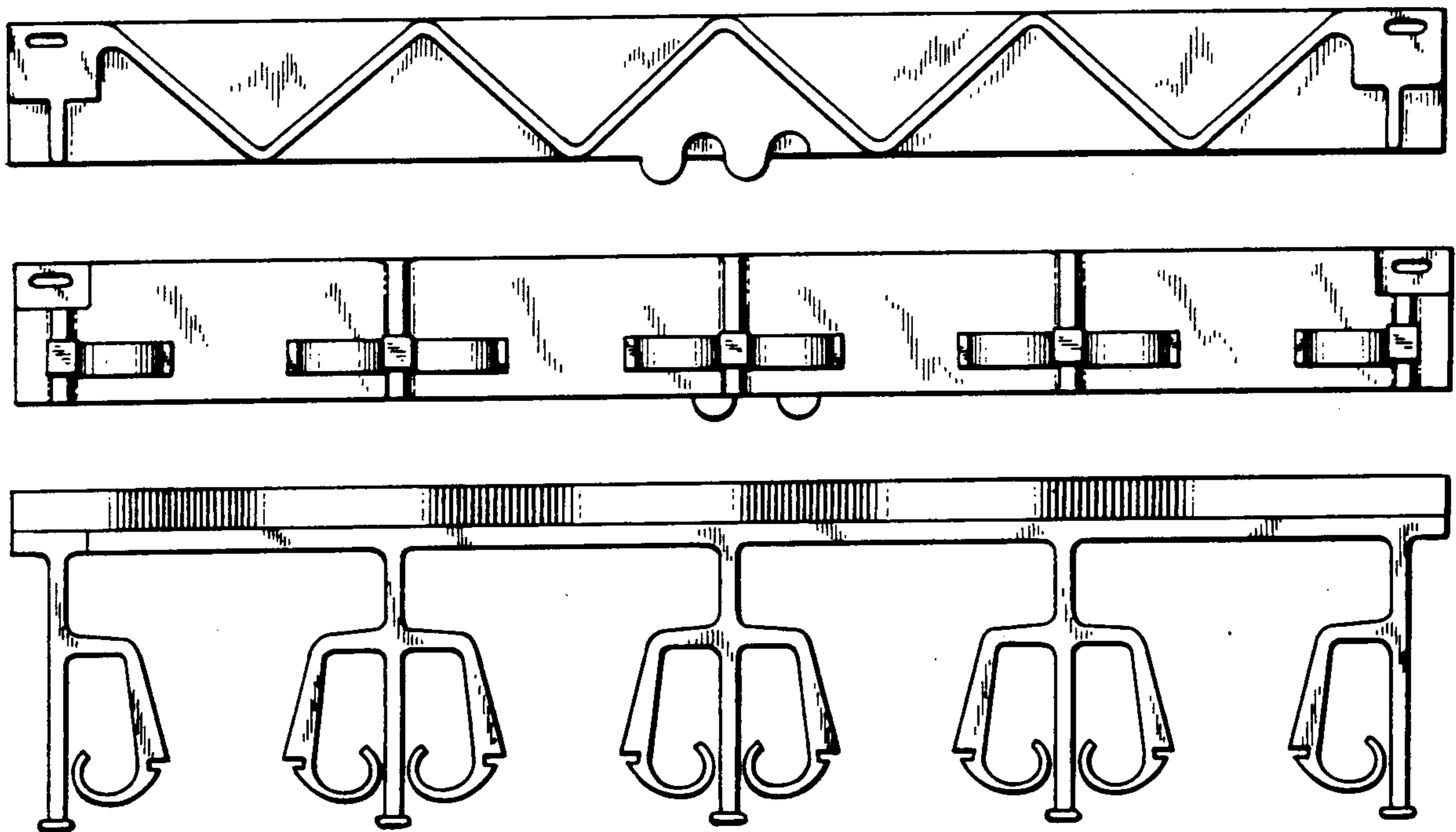


FIG. 1.

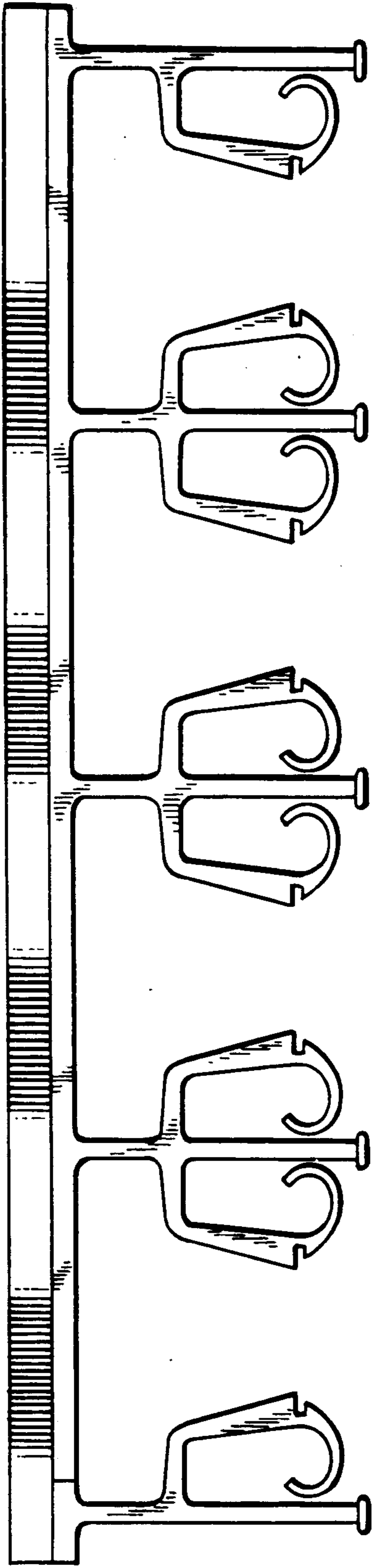


FIG. 2.

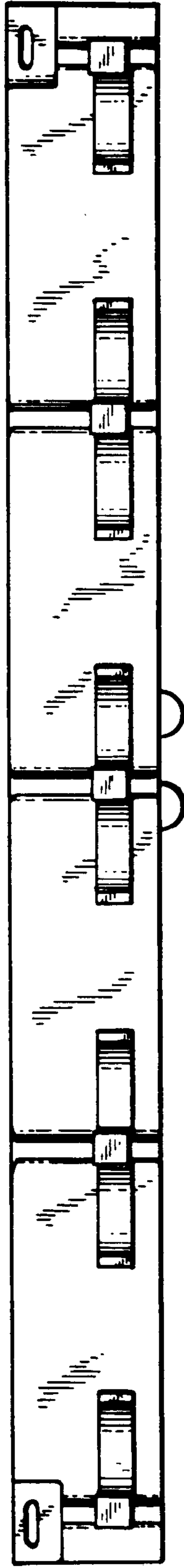


FIG. 3.

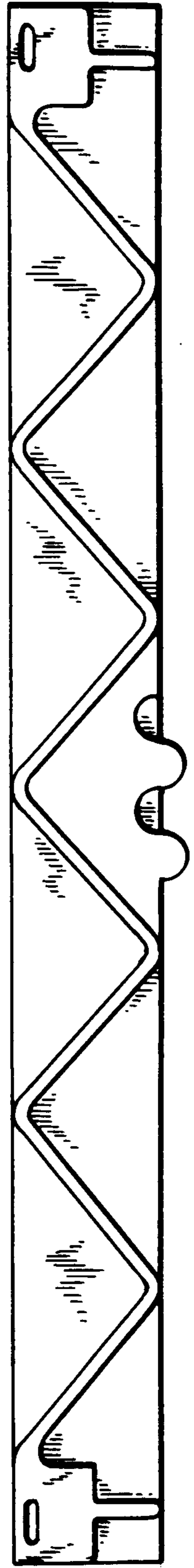


FIG. 4.

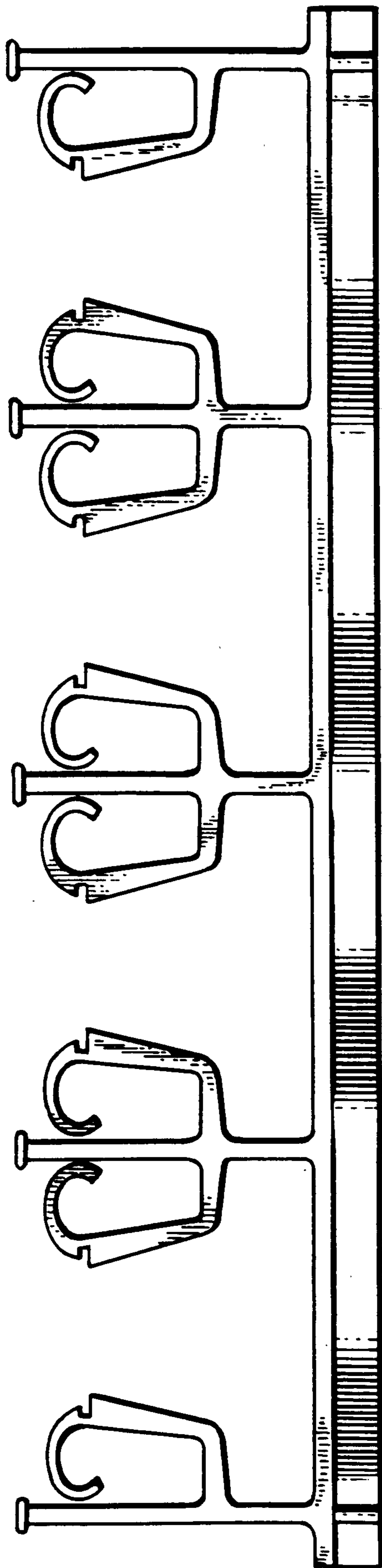


FIG. 5.

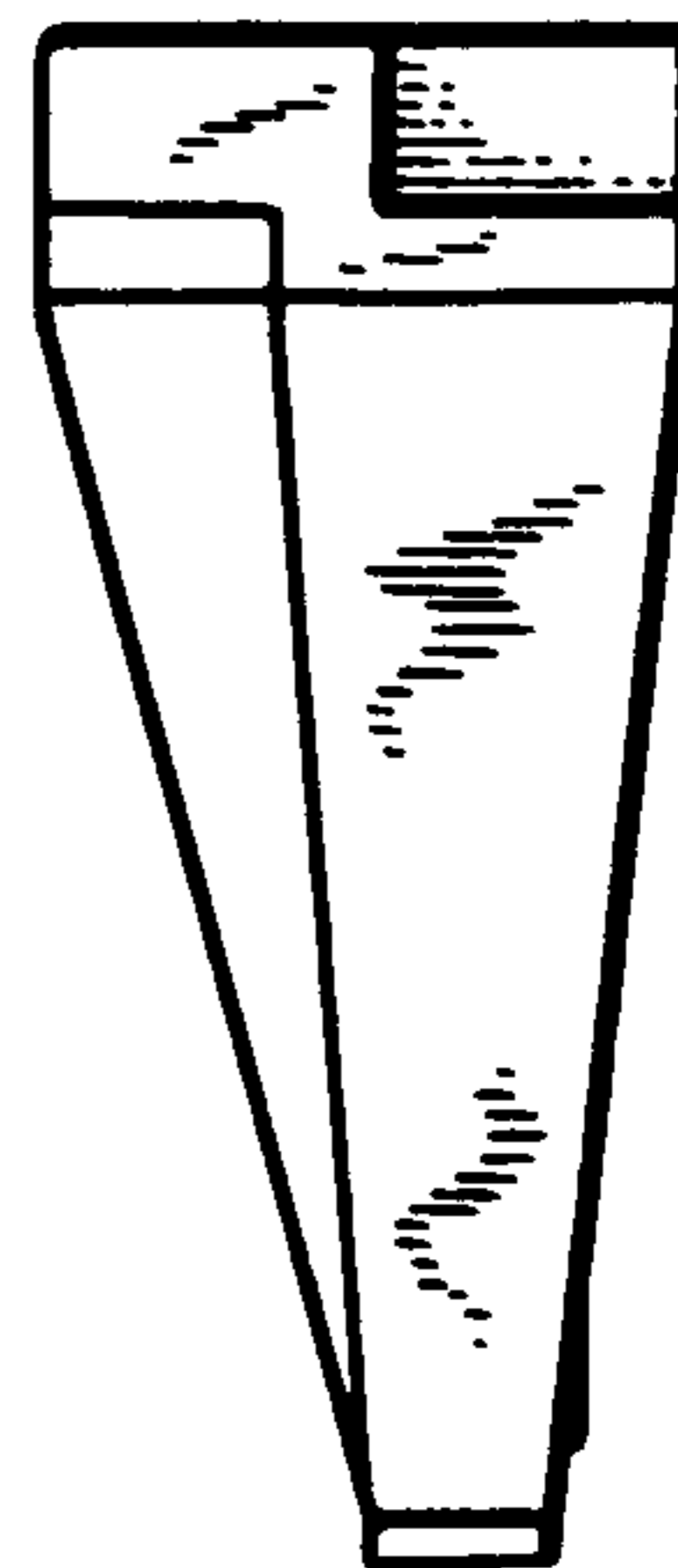


FIG. 6.

