

[54] COMPOUND MITER SAW

[75] Inventor: Robert W. Arehart, Cook County, Ill.

[73] Assignee: Emerson Electric Co., St. Louis, Mo.

[**] Term: 14 Years

[21] Appl. No.: 208,639

[22] Filed: Jun. 30, 1988

[52] U.S. Cl. D8/66

[58] Field of Search D8/66, 71; D15/133; 83/471.1, 471.2, 471.3, 490, 478; 30/390, 391

[56] References Cited

U.S. PATENT DOCUMENTS

D. 287,694	1/1987	Miyamoto	D8/66
D. 305,542	1/1990	Miyamoto	D8/66
3,483,901	12/1969	Ray	83/471.3
3,821,918	7/1974	Nichaus et al.	83/478
3,998,121	12/1976	Bennett	83/471.3

4,527,453	7/1985	Hauten	83/581
4,637,288	1/1987	Olsen et al.	D15/133

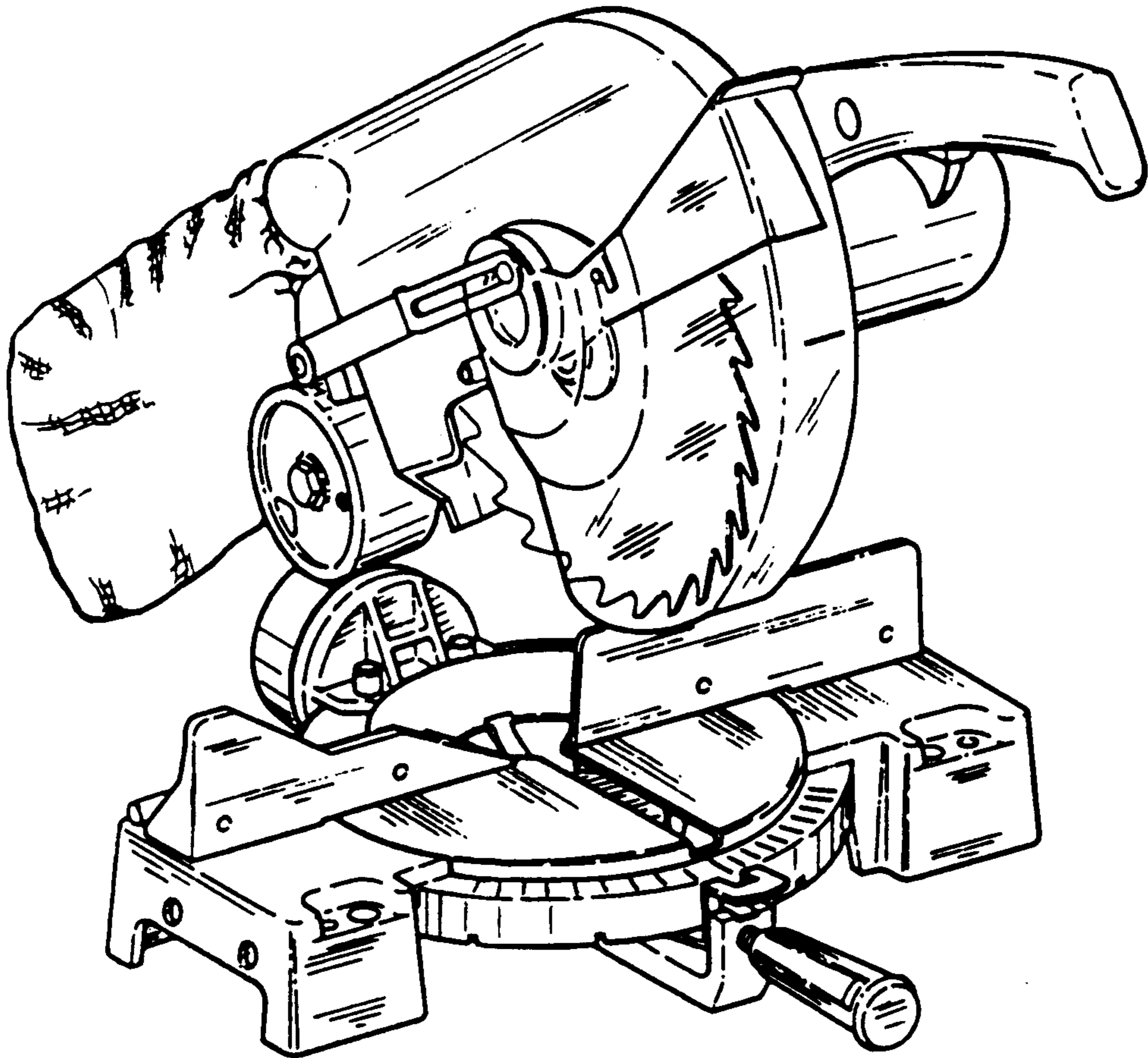
Primary Examiner—Nelson C. Holtje
Assistant Examiner—J. H. Musgrove
Attorney, Agent, or Firm—Polster, Polster and Lucchesi

[57] CLAIM

The ornamental design for a compound miter saw, as shown and described.

DESCRIPTION

FIG. 1 is a front perspective view of a compound miter saw showing my new design;
FIG. 2 is a rear perspective view thereof;
FIG. 3 is a top plan view thereof;
FIG. 4 is a bottom plan view thereof;
FIG. 5 is a left side elevational view thereof;
FIG. 6 is a right side elevational view thereof;
FIG. 7 is a front elevational view thereof; and
FIG. 8 is a rear elevational view thereof.



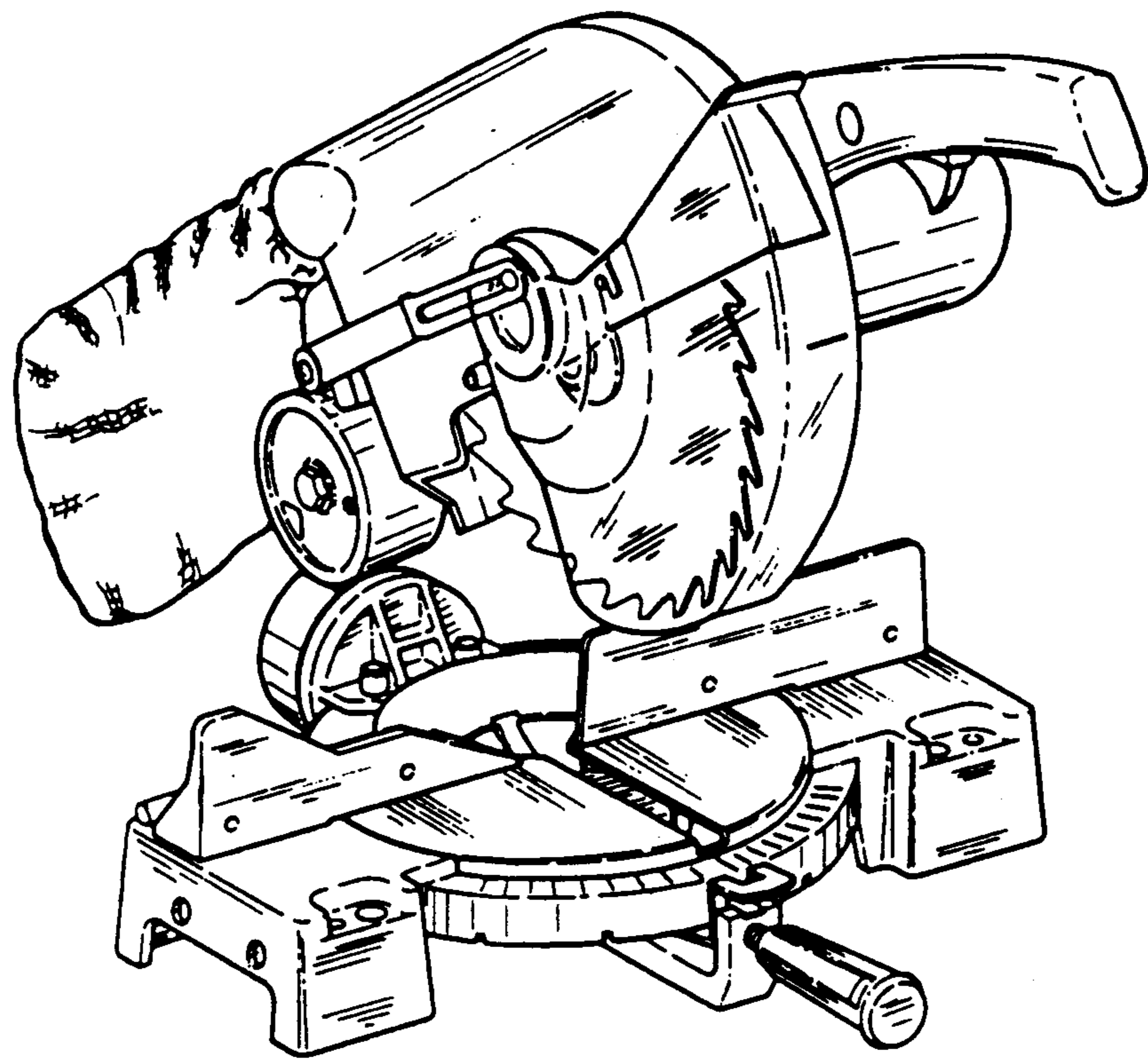


FIG. 1

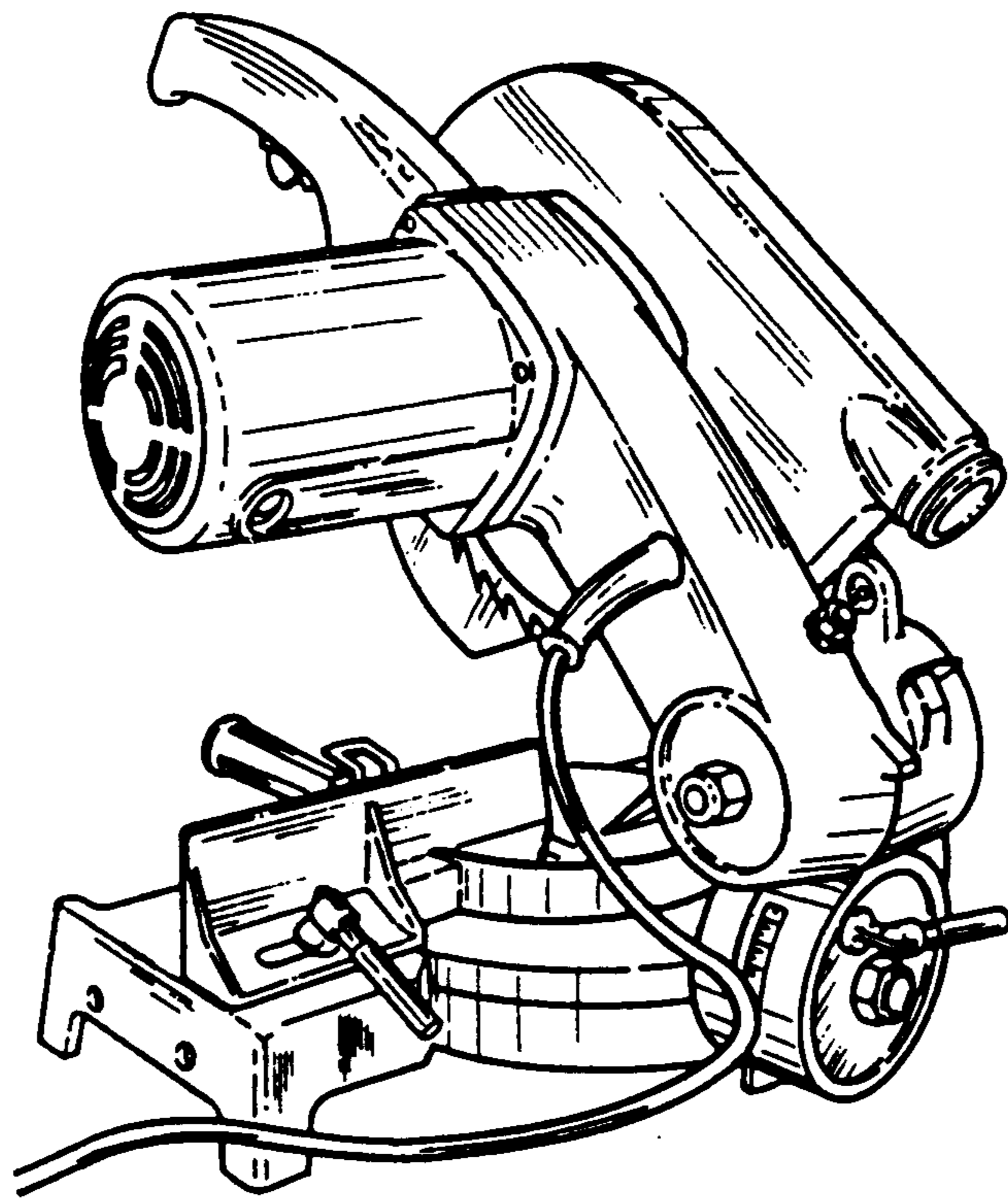


FIG. 2

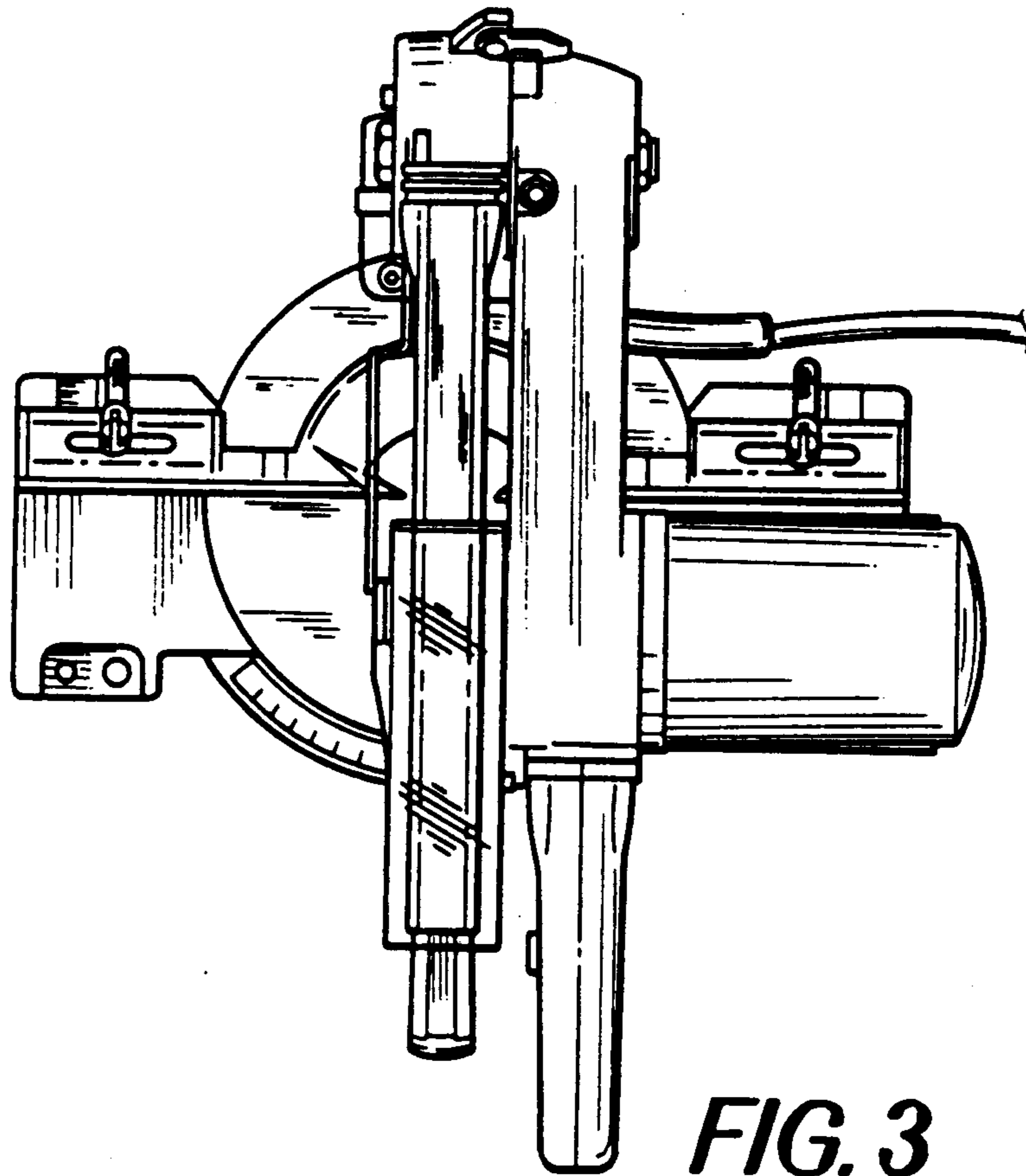


FIG. 3

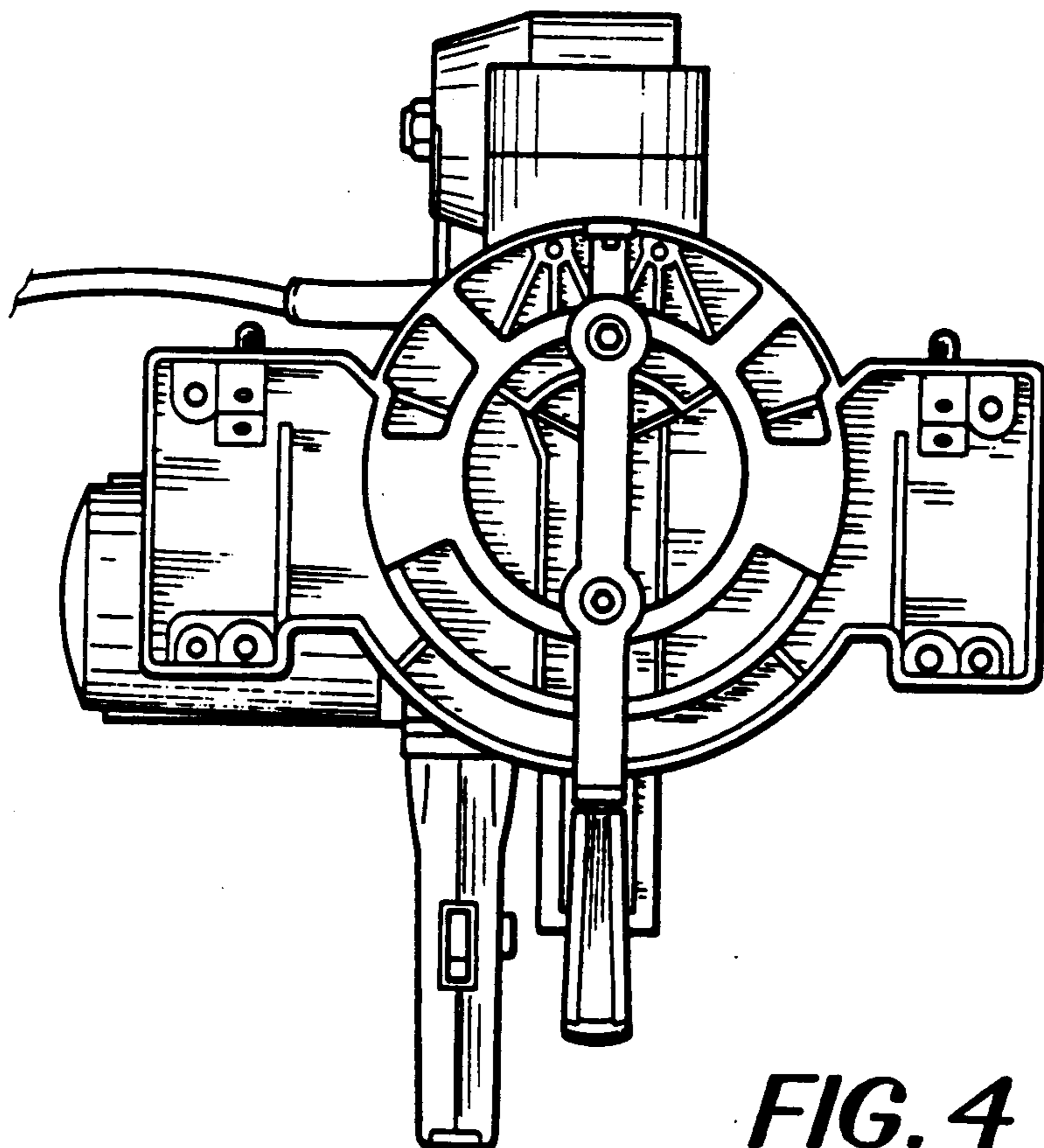


FIG. 4

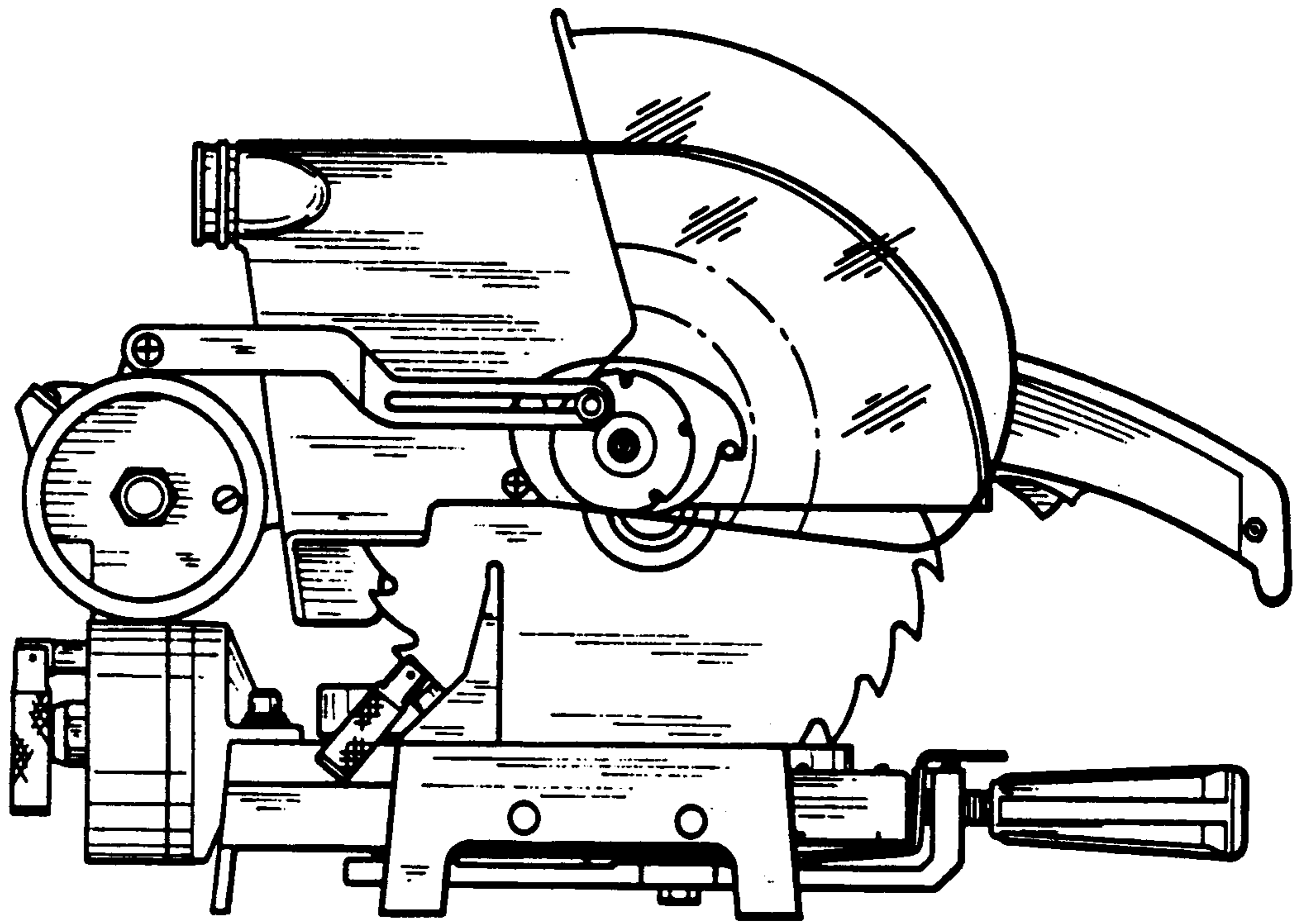


FIG. 5

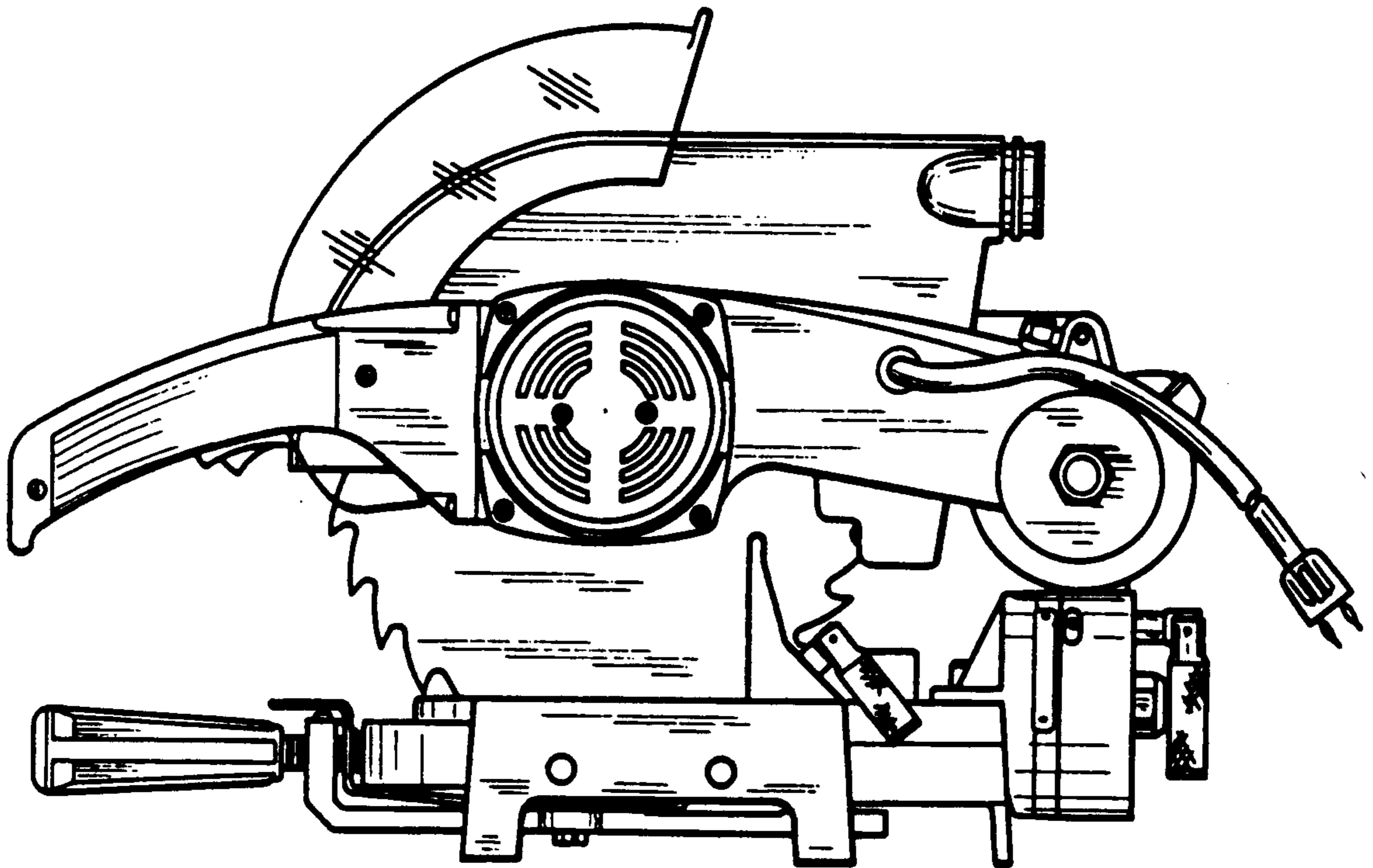


FIG. 6

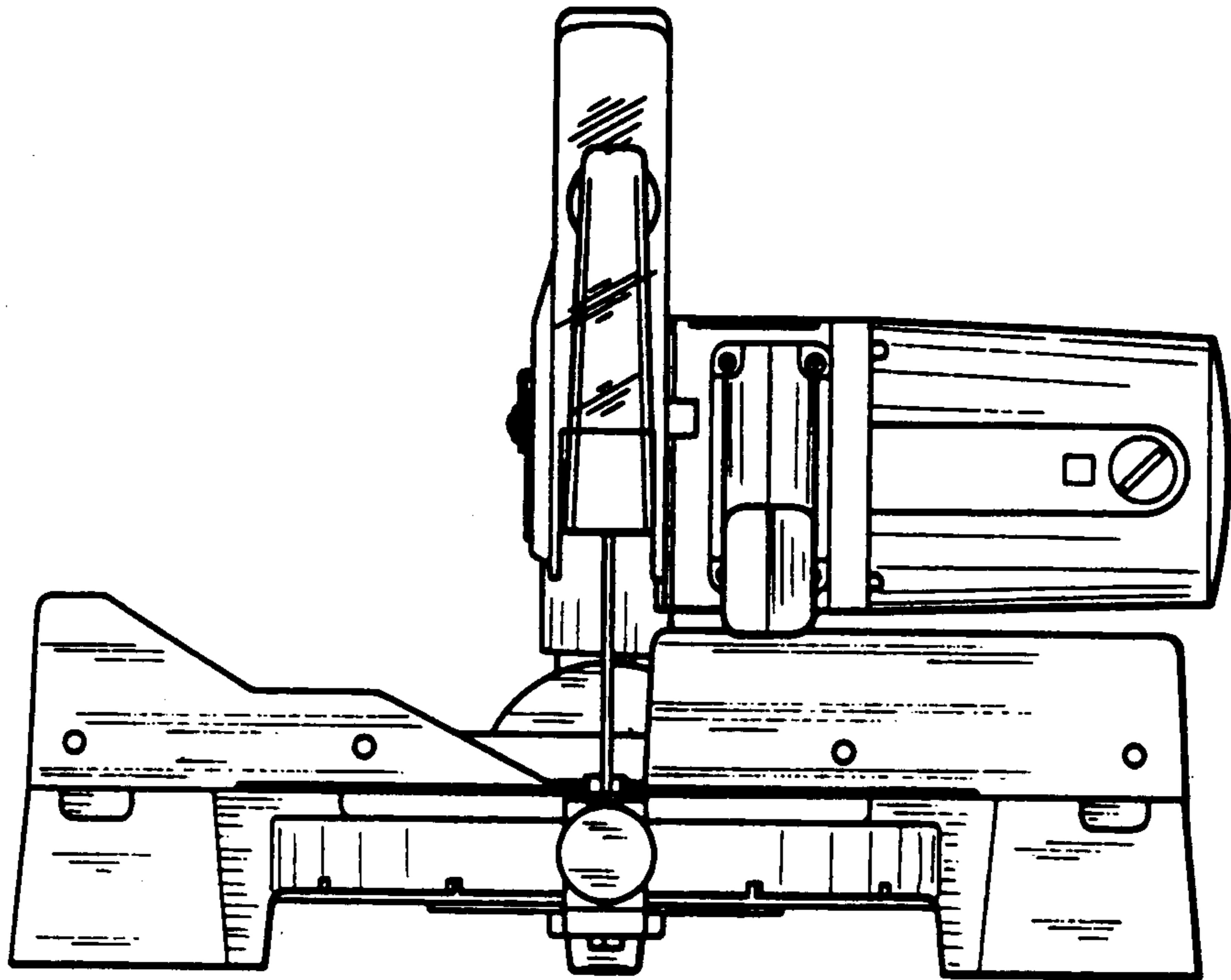


FIG. 7

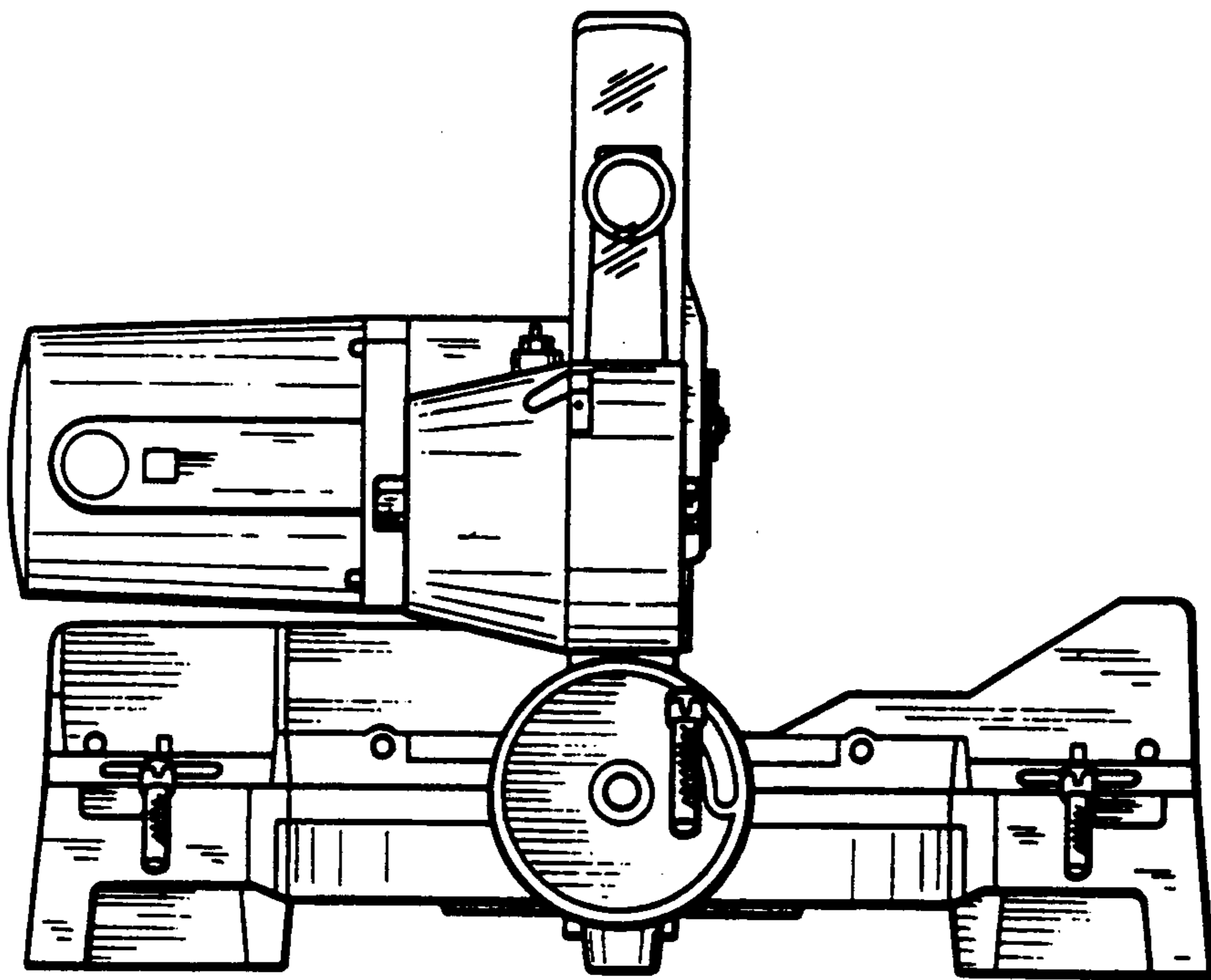


FIG. 8