

[54] DISK CASING PUNCH TOOL

3,385,152 5/1968 Brown ..... D19/72 X

[76] Inventor: Nicholas J. Bonge, Jr., 1183 Pittsfield La., Ventura, Calif. 93001

Primary Examiner—Bruce W. Dunkins  
Assistant Examiner—M. Hannon

[\*\*] Term: 14 Years

[57] CLAIM

[21] Appl. No.: 511,015

The ornamental design for a disk casing punch tool, as shown and described.

[22] Filed: Apr. 19, 1990

[52] U.S. Cl. .... D8/14

DESCRIPTION

[58] Field of Search ..... D8/14, 52, 98; D19/72, D19/82; 30/90.1, 90.9, 229, 363; 164/121; 59/7; 72/35, 383; 140/154

FIG. 1 is a perspective view of a punch tool incorporating the design;

FIG. 2 is a side elevational view of the design of FIG. 1, the left side and right side elevation having the same appearance;

FIG. 3 is a top plan view of the design of FIG. 1;

FIG. 4 is a bottom plan view of the design of FIG. 1; FIG. 5 is a front elevational view of the design of FIG. 1;

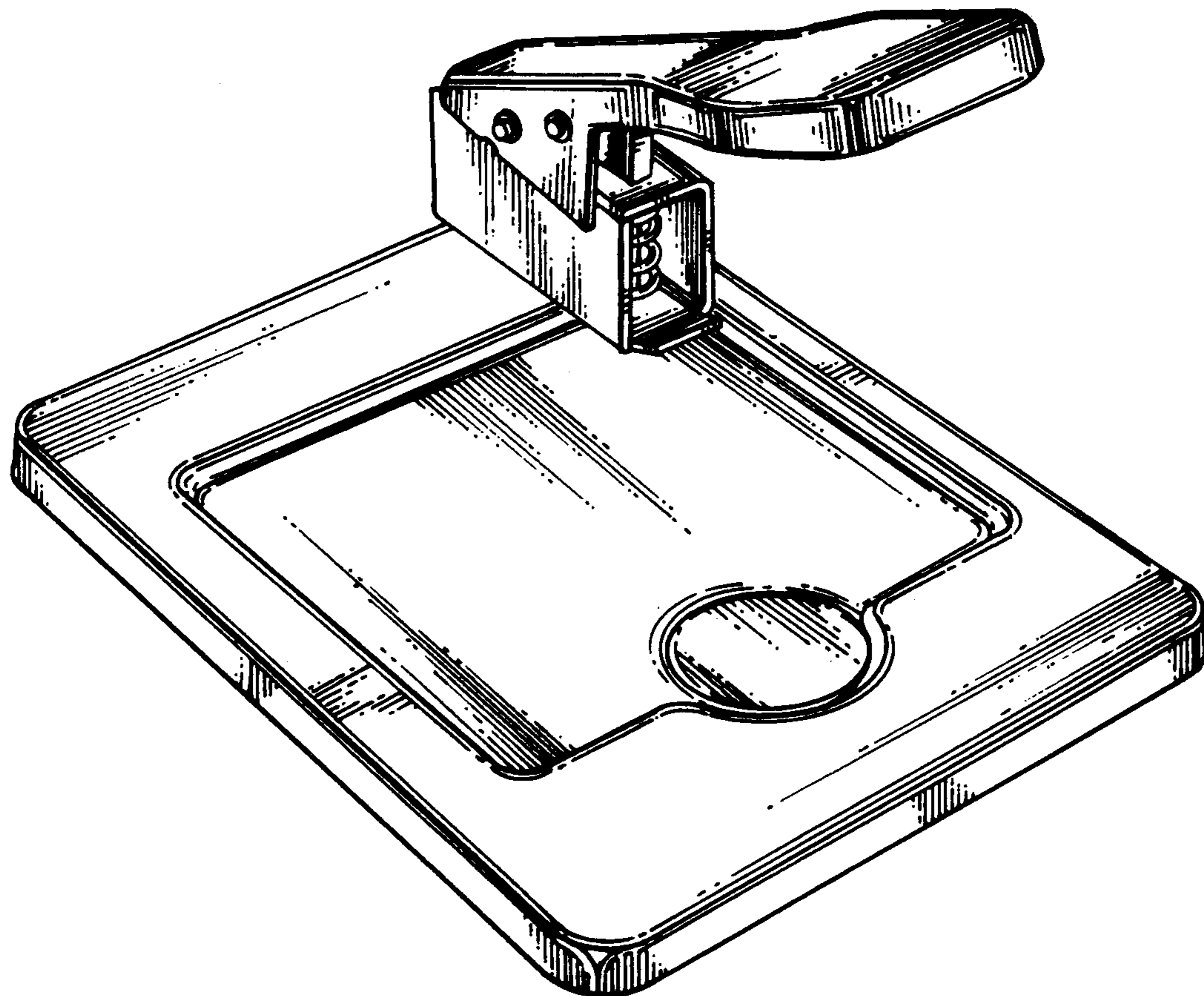
FIG. 6 is a rear elevational view of the design of FIG. 1.

FIG. 7 is a perspective view of an alternative punch tool incorporating the design with a bottom cover.

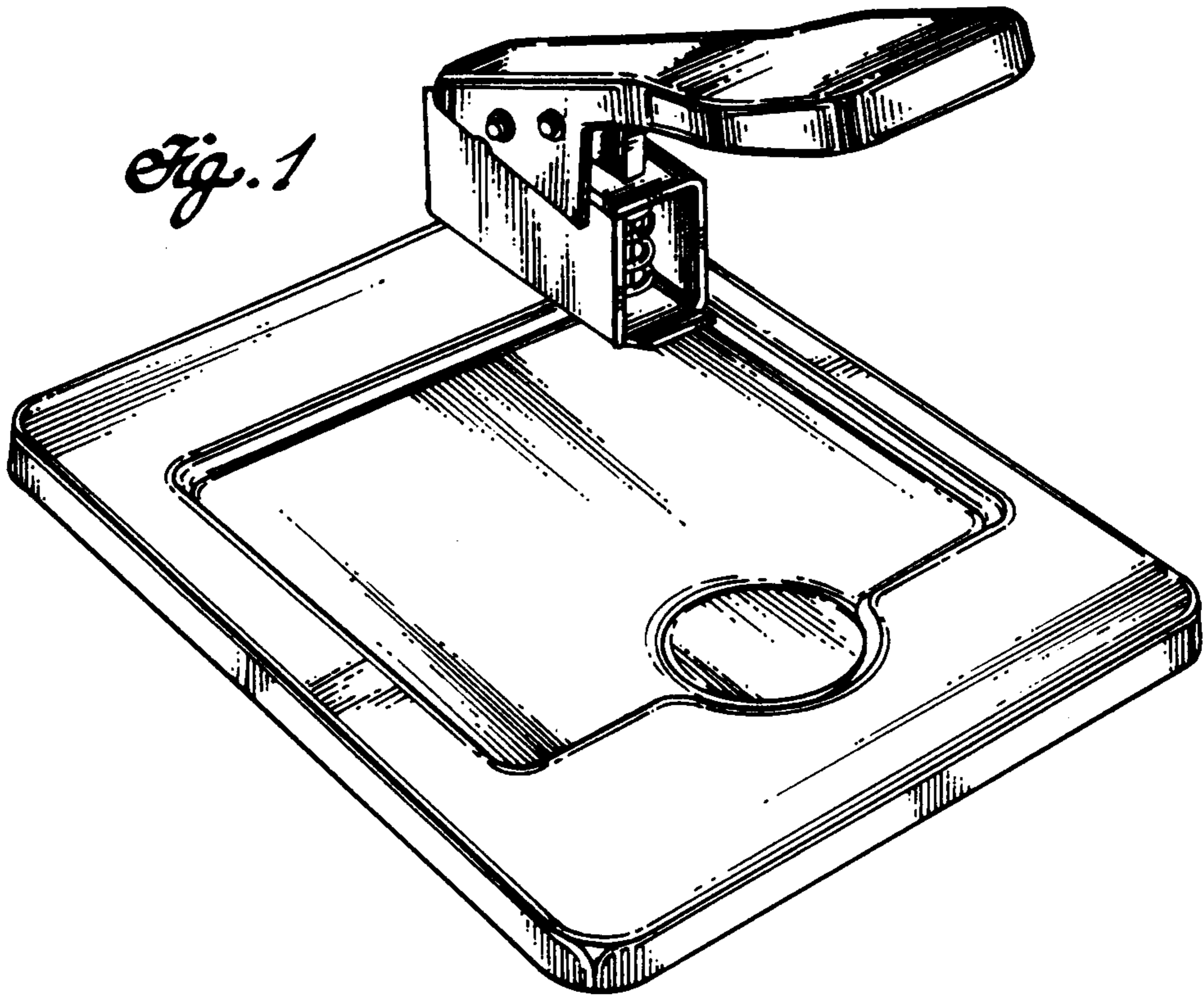
[56] References Cited

U.S. PATENT DOCUMENTS

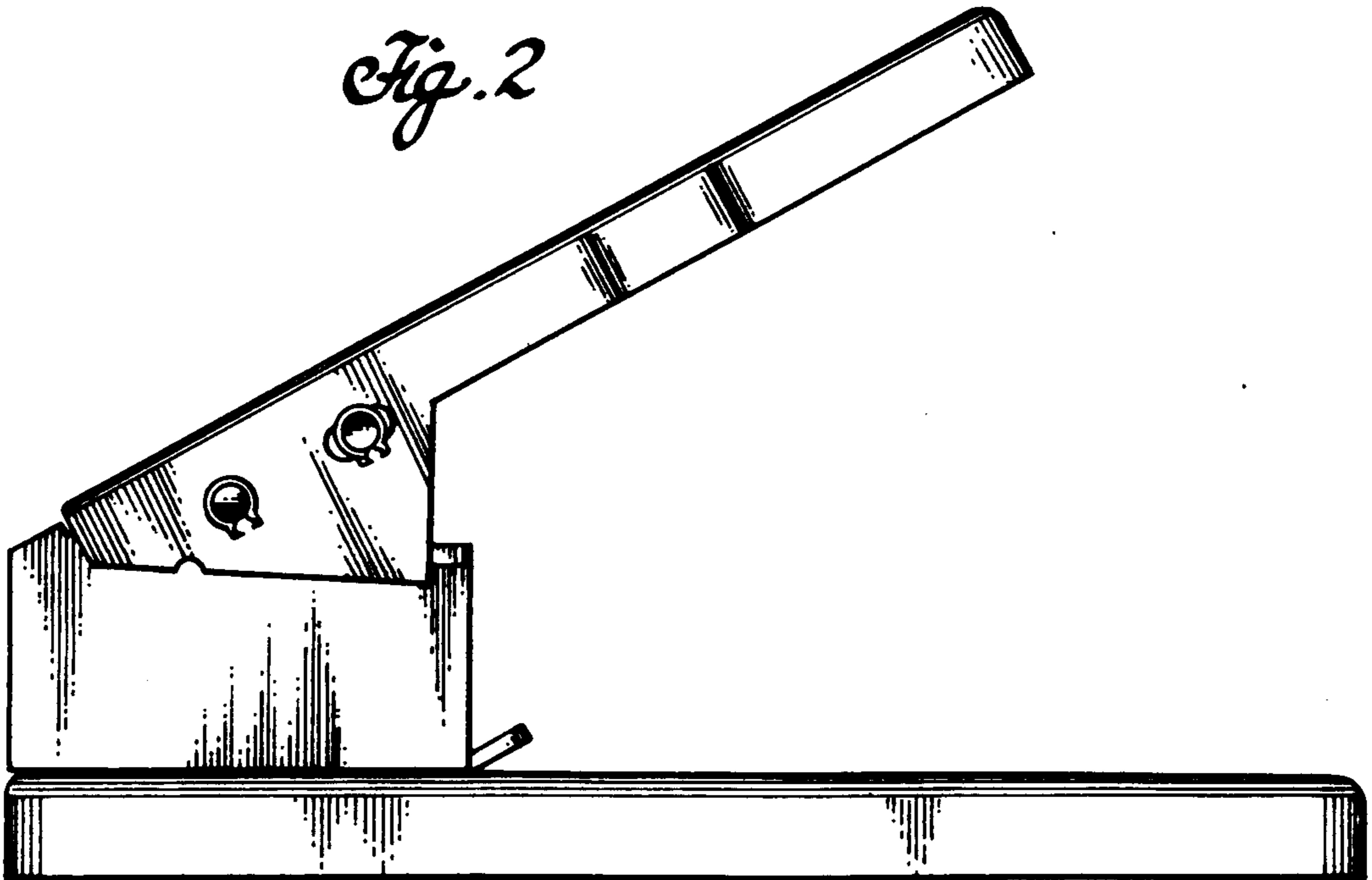
D. 193,230	7/1962	Klein	.....	D19/72
D. 251,600	4/1979	MacGregor	.....	D19/72
D. 278,876	5/1985	Meyer	.....	D8/52
D. 282,624	2/1986	Hartmeister	.....	D8/14 X
D. 289,883	5/1987	Penaluna	.....	D8/52
3,284,899	11/1966	Mercorelli	.....	30/229
3,372,482	3/1968	Mercorelli	.....	30/229



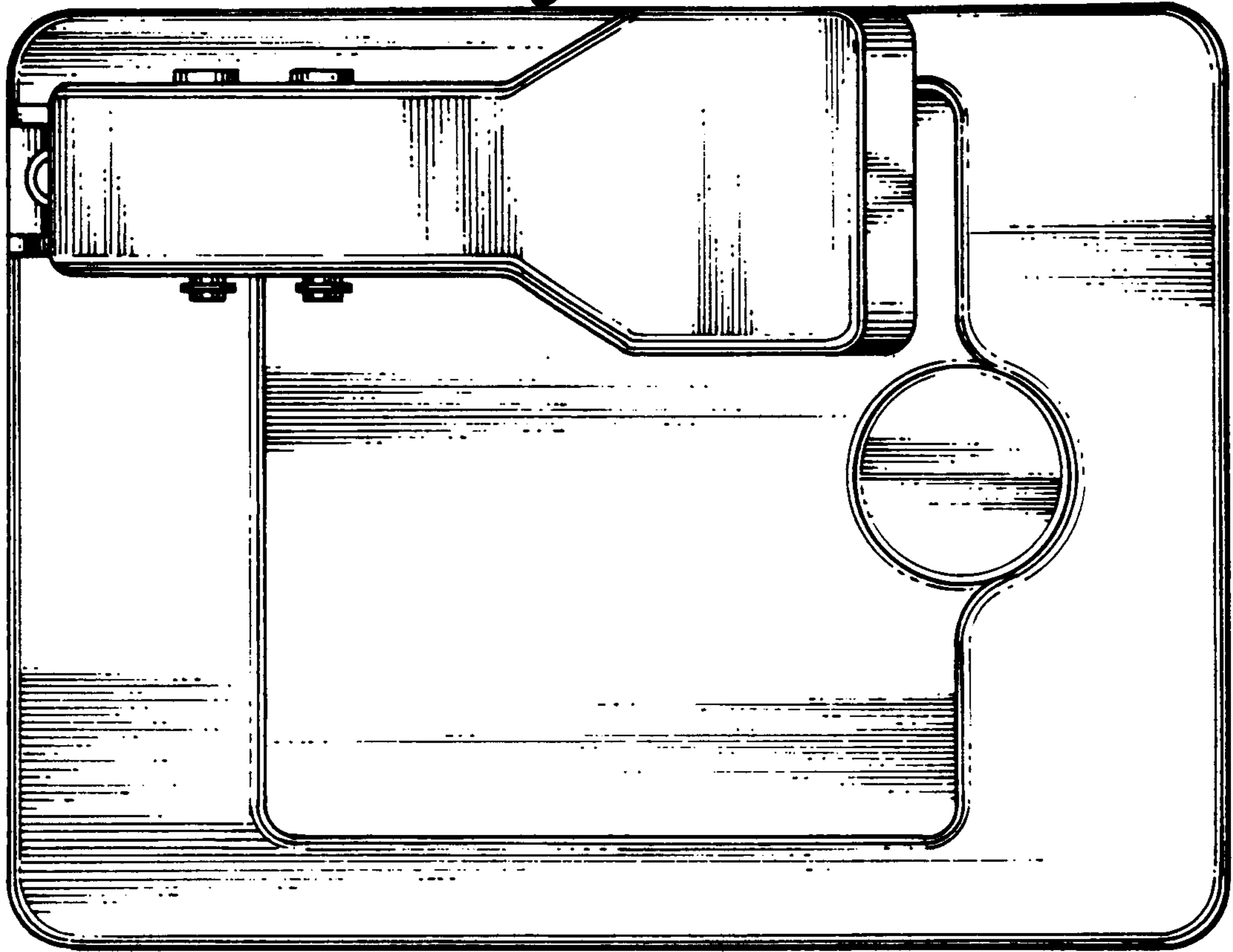
*Fig. 1*



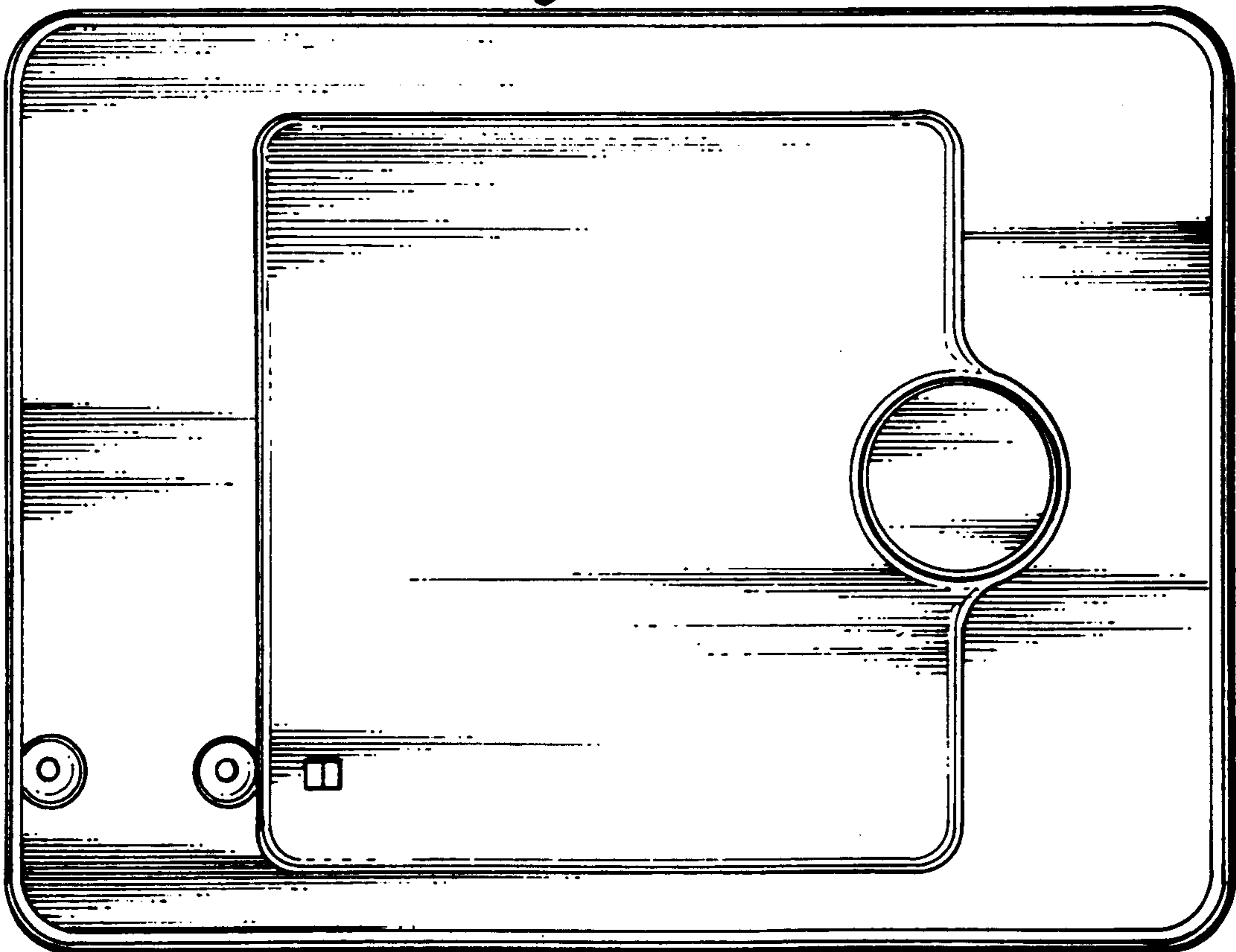
*Fig. 2*



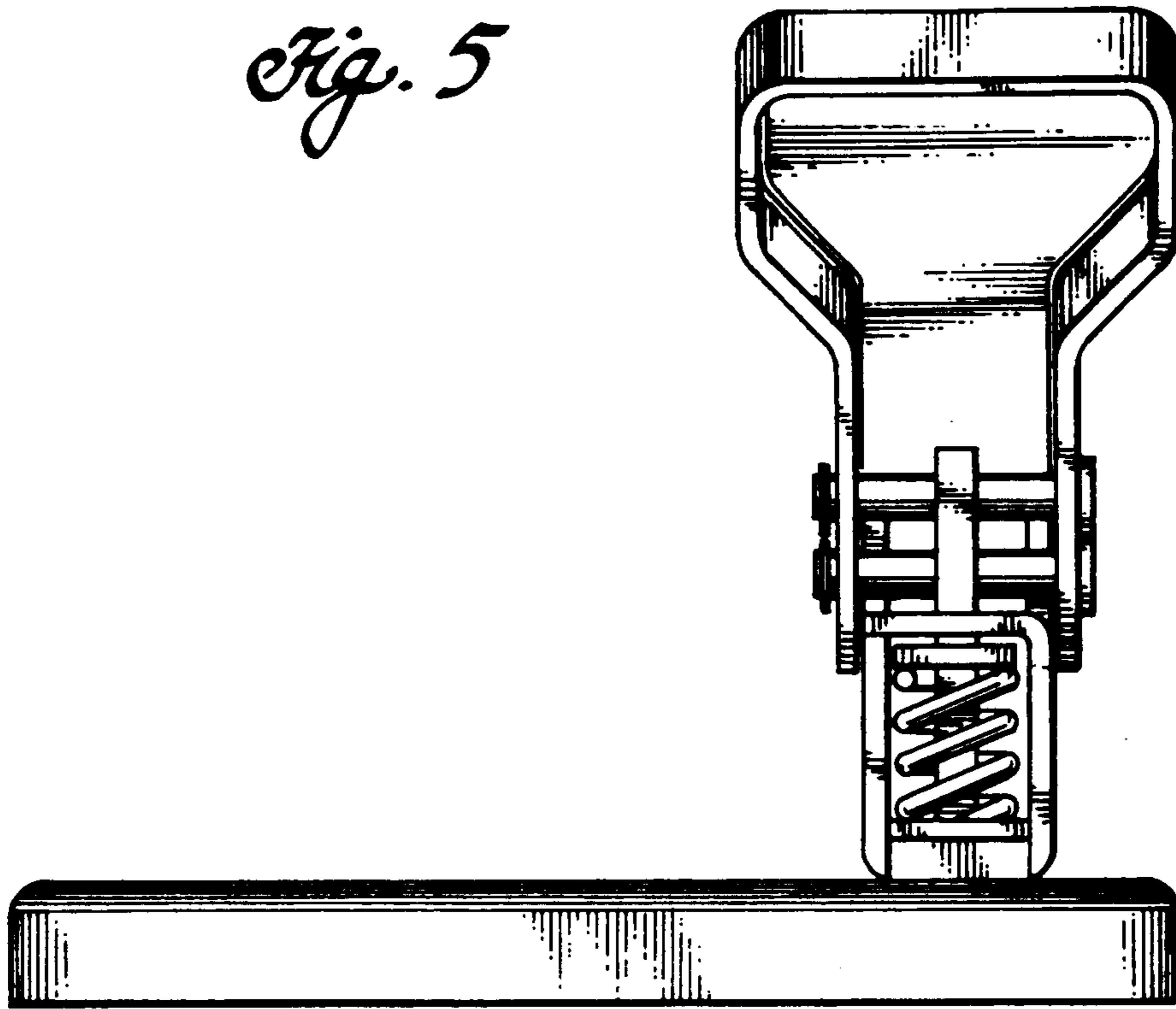
*Fig. 3*



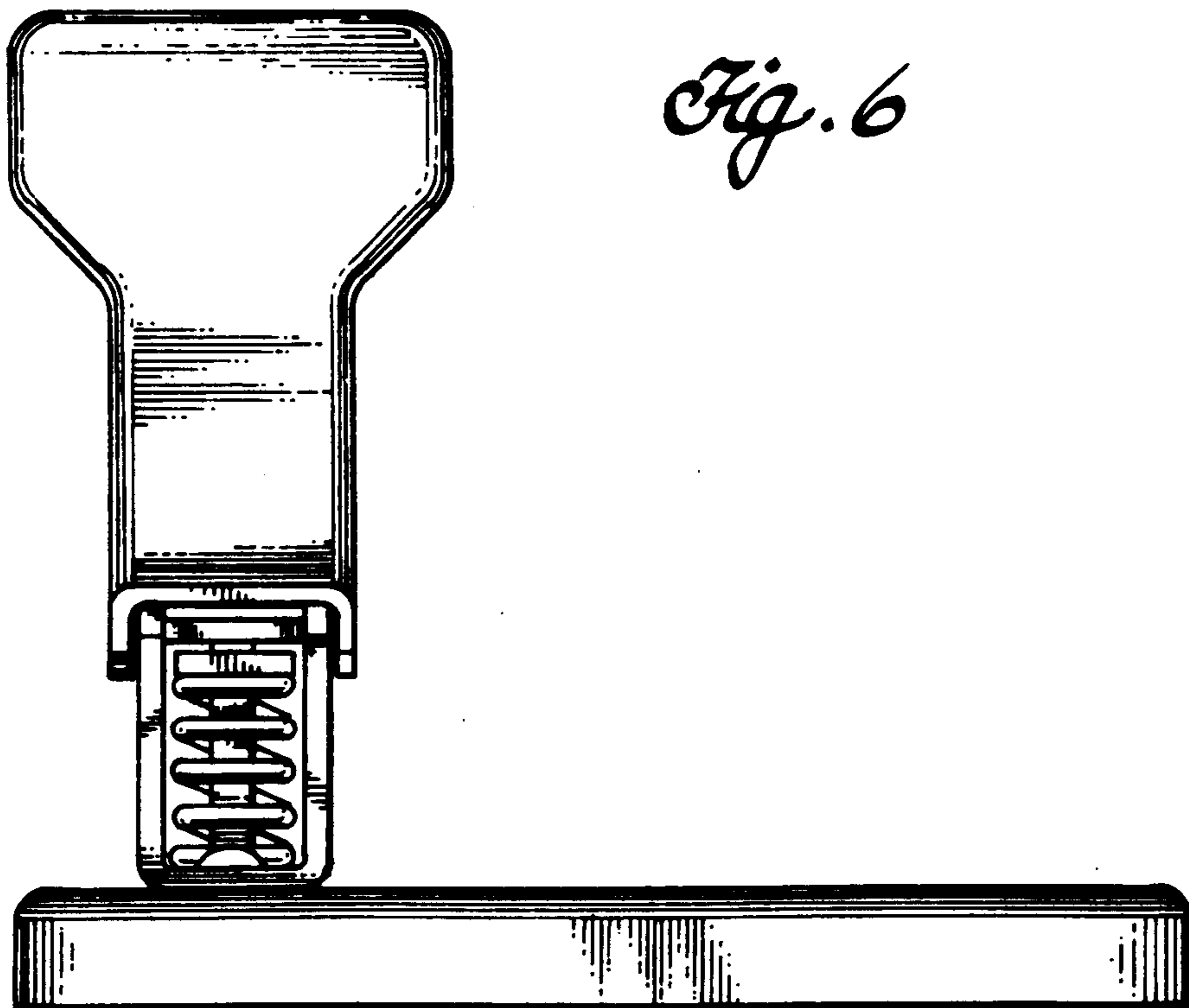
*Fig. 4*



*Fig. 5*



*Fig. 6*



*Fig. 7*

