

[54] **MINI-TONGS**

[76] **Inventor: Leonard Kosurko, 2701 Thickson Rd., South, Whitby, Ontario, Canada, L1N 5R5**

[**] **Term: 14 Years**

[21] **Appl. No.: 241,138**

[22] **Filed: Sep. 7, 1988**

[52] **U.S. Cl. D7/686**

[58] **Field of Search D7/683-687; 294/3, 8.5, 11, 16, 99.1-99.2, 118-119; D24/27**

[56] **References Cited**

U.S. PATENT DOCUMENTS

- D. 189,488 12/1960 Page D7/686
- D. 246,280 11/1977 Daenen D7/686
- 4,126,962 11/1978 Polcaro 294/99.2 X

*Primary Examiner—Bernard Ansher
Assistant Examiner—Terry A. Pfeffer
Attorney, Agent, or Firm—Nixon & Vanderhye*

[57] **CLAIM**

The ornamental design for mini-tongs, as shown and described.

DESCRIPTION

FIG. 1 is a top perspective view of the mini-tongs showing my new design;
FIG. 2 is a top plan view thereof;
FIG. 3 is a side elevational view thereof, the opposite side being a mirror image;
FIG. 4 is a bottom plan view thereof;
FIG. 5 is a rear elevational view thereof;
FIG. 6 is a front elevational view thereof; and
FIG. 7 is a cross-sectional view taken along lines 7—7 of FIG. 3.

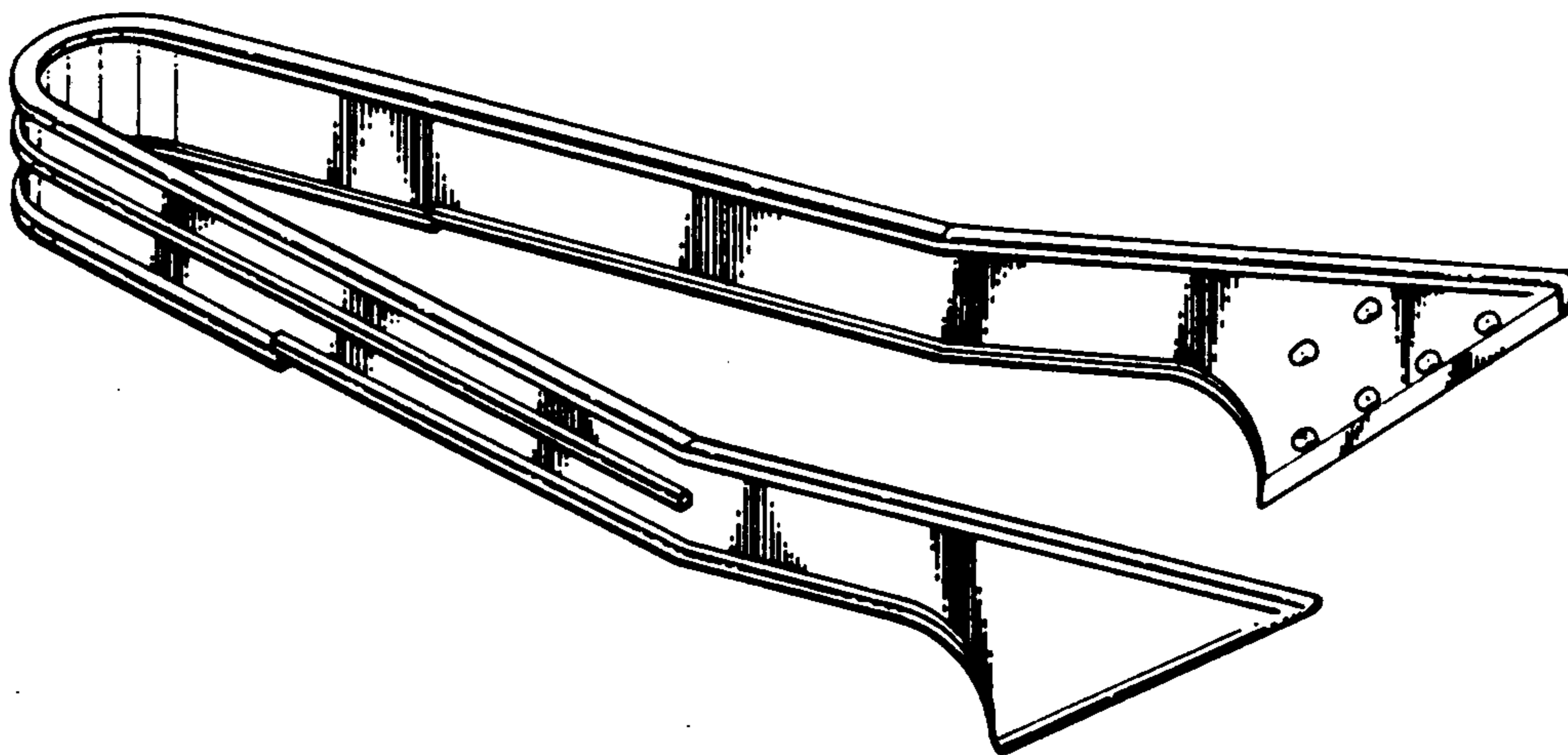


FIG. 1.

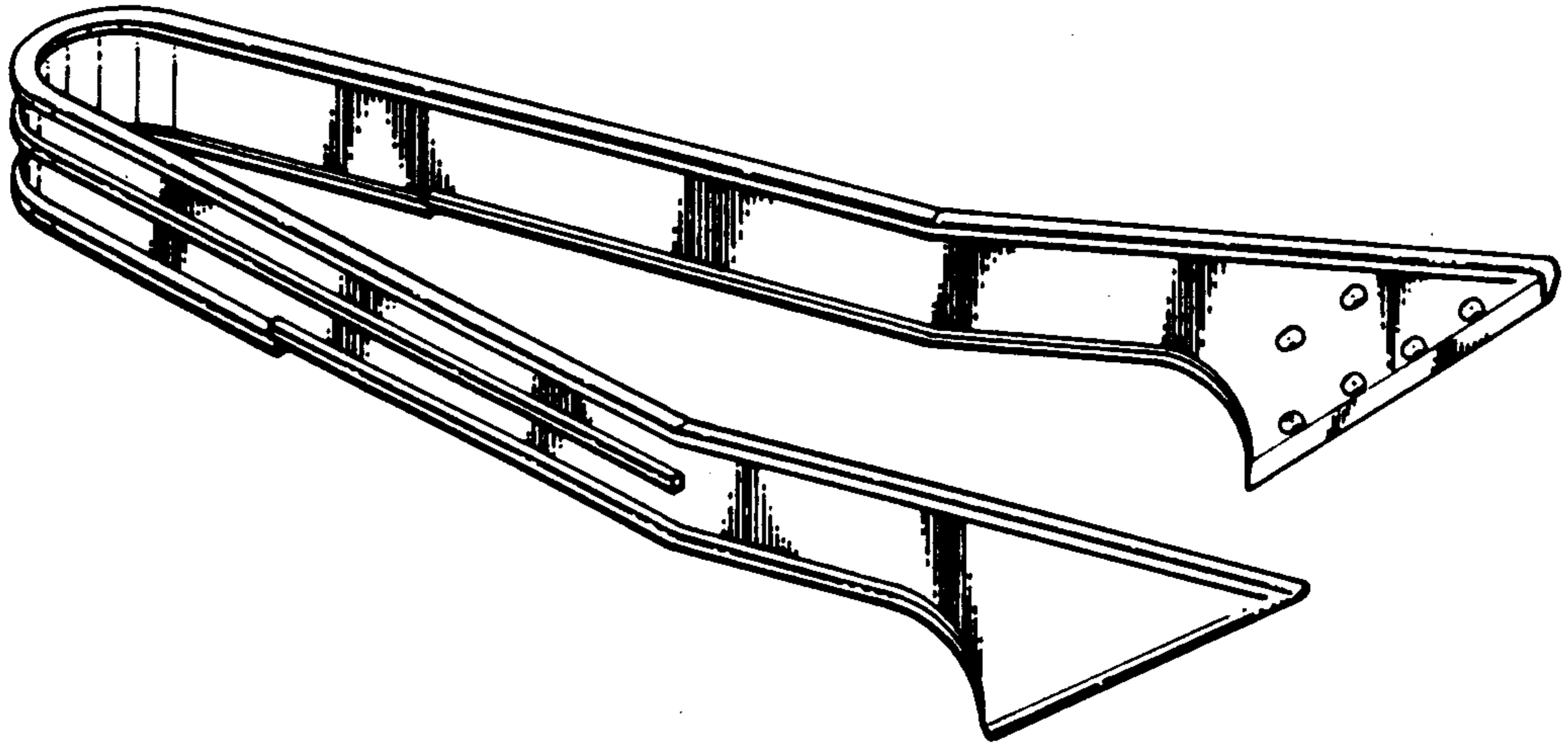


FIG. 2.

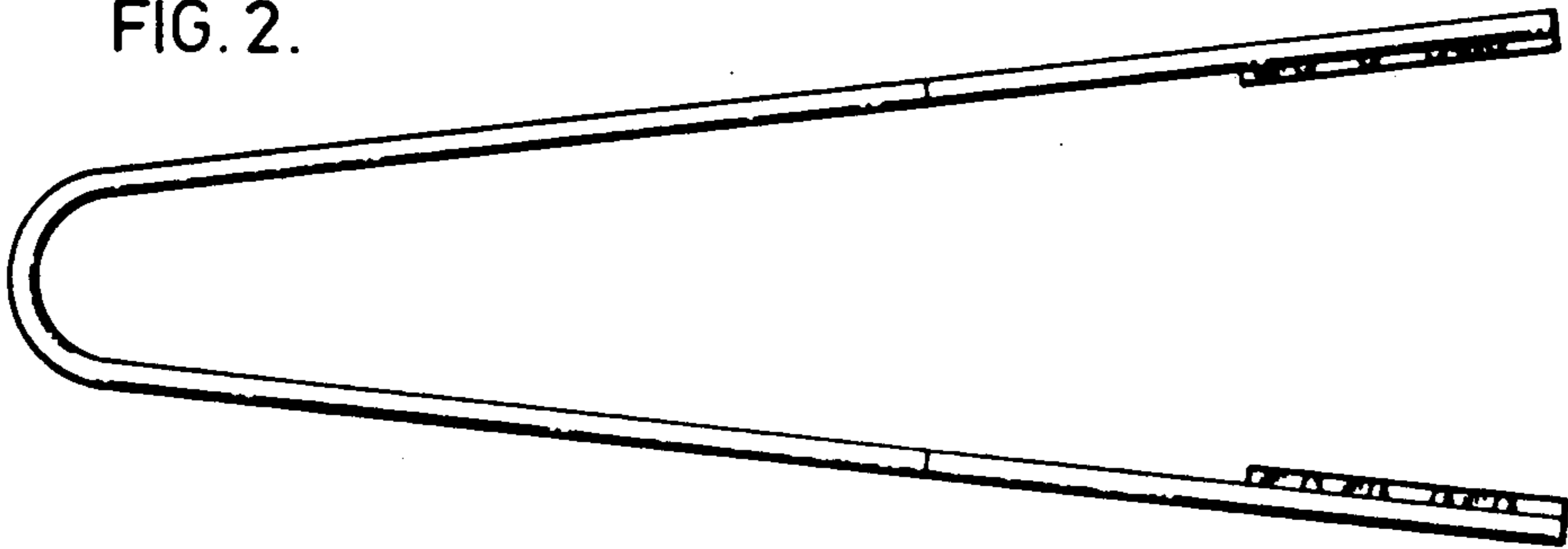


FIG. 3.

